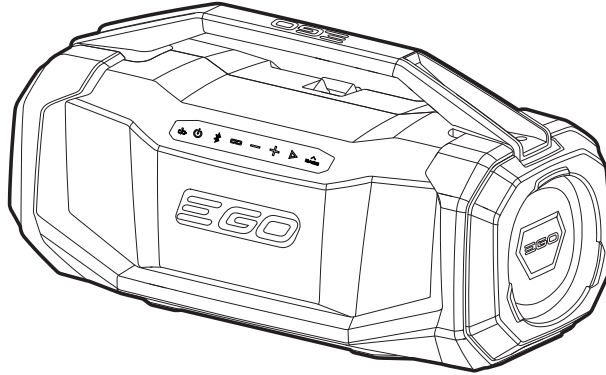


# EGO™

POWER<sup>+</sup> SPEAKER

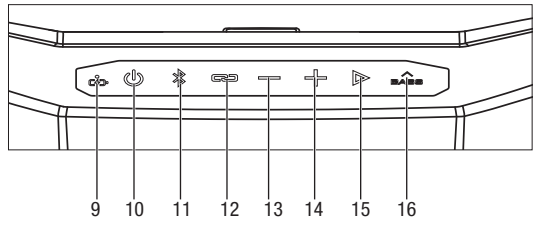
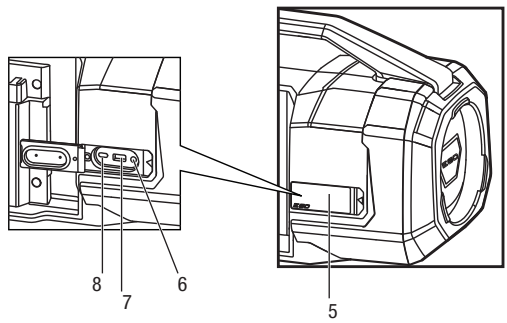
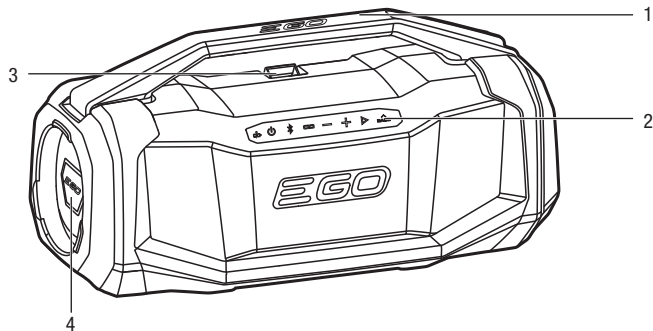


## SK1800E

### 56V LITHIUM-ION OUTDOOR BLUETOOTH SPEAKER

EN	56V LITHIUM-ION OUTDOOR BLUETOOTH SPEAKER	5	HU	56V LÍTIUM-ION KÜLTÉRI BLUETOOTH-OS HANGSZÓRÓ	124
DE	56 V LITHIUM-IONEN OUTDOOR-BLUETOOTH-LAUTSPRECHER	13	RO	DIFUZOR BLUETOOTH PENTRU EXTERIOR LITIU-ION 56V	132
FR	HAUT-PARLEUR BLUETOOTH D'EXTÉRIEUR LITHIUM-ION 56V	21	SL	56V LITIJ-IONSKI ZUNANJI BLUETOOTH ZVOČNIK	140
ES	ALTAVOZ BLUETOOTH PARA EXTERIORES CON BATERÍA DE IONES DE LITIO DE 56 V	29	LT	56 V LIČIJA JONŲ „BLUETOOTH“ LAUKO GARSIAKALBIS	147
PT	COLUNA DE SOM BLUETOOTH DE EXTERIOR DE IÃO DE LÍTIO DE 56V	37	LV	56 V LITĪJA JONU ĀRA BLUETOOTH BEZVADU SKALRUNIS	155
IT	ALTOPARLANTE BLUETOOTH DA ESTERNO LI-ION 56 V	45	GR	ΗΧΕΙΟ BLUETOOTH 56V ΓΙΑ ΕΞΩΤΕΡΙΚΟΥΣ ΧΩΡΟΥΣ	163
NL	56V LITHIUM-ION BLUETOOTH-LUIDSPREKER VOOR BUITEN	53	TR	56V LİTYUM-İYON DIŞ MEKAN BLUETOOTH HOPARLÖR	171
DK	UDENDØRSHØJTALER MED BLUETOOTH OG 56V LITIU-ION-BATTERI	61	ET	56V LITIU-IONAKUGA VÄLITINGIMUSTES KASUTATAV BLUETOOTH-KÖLÄR	179
SE	56V LITIU-ION BLUETOOTH-HÖGTALARE FÖR UTMILJÖBRUK	69	UK	BLUETOOTH-КОЛОНКА ДЛЯ ВИКОРИСТАННЯ НАДВОРИ З ЛІТІУ-ІОННИМ АКУМУЛЯТОРОМ 56 В	186
FI	56 V LITIU-IONIKULLA TOIMIVA BLUETOOTH-KAIUTIN ULKOÄYTTÖÖN	77	BG	56V ЛИТИЕВО-ИОНЕН ВЪНШЕН BLUETOOTH ВИСОКОГОВОРИТЕЛ	194
NO	56V LITHIUM-ION UTENDØRS BLUETOOTH-HØYTALER	85	HR	LITIJ-IONSKI VANJSKI BLUETOOTH ZVUČNIK OD 56V	202
RU	КОЛОНКА BLUETOOTH ДЛЯ ИСПОЛЬЗОВАНИЯ НА ОТКРЫТОМ ВОЗДУХЕ С ЛИТИЙ-ИОННЫМ АКУМУЛЯТОРОМ 56 В	92	KA	56V ლითიუმ-იონის BLUETOOTH-იან ხარისხიანი ღია სივრცეში	210
PL	ZEWNETRZNY GŁOŚNIK BLUETOOTH Z BATERIĄ LITOWO-JONOWĄ 56 V	100	SR	56 V LITIJUM-JONSKI BLUETOOTH ZVUČNIK ZA OTVORENI PROSTOR	220
CZ	56V LITHIUM-IONTOVÝ VENKOVNÍ BLUETOOTH REPRODUKTOR	108	BS	VANJSKI BLUETOOTH ZVUČNIK S LITIJ-IONSKOM BATERIJOM OD 56 V	228
SK	56 V LÍTIUM-IONOVÝ VONKAJŠÍ BLUETOOTH REPRODUKTOR	116	AR	مكبر صوت بلوتوث خارجي ببطارية ليثيوم آيون 56 فولت	244
			HE	מקור סאונד בלוטוט חיצוני ליתיום-איון 56V	251

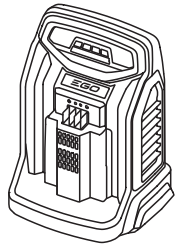
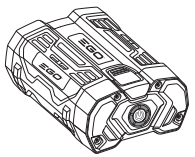
**A1**



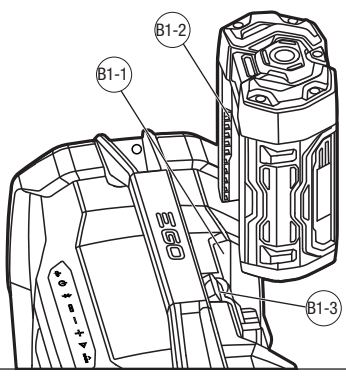
**A2**

BA1400, BA2800,  
BA4200, BA1400T,  
BA2240T, BA2242T,  
BA2800T, BA3360T,  
BA4200T, BA5600T,  
BA6720T

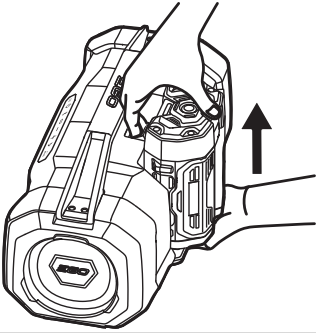
CH2100E, CH5500E,  
CH3200E, CH7000E,  
CH7000E-T



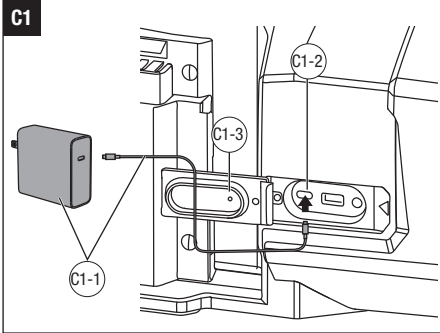
**B1**



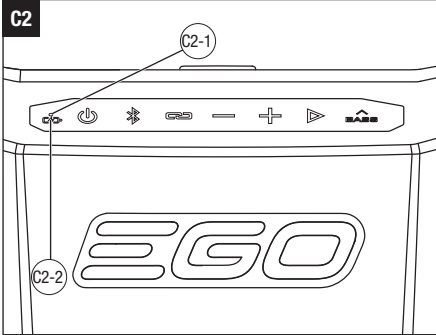
**B2**



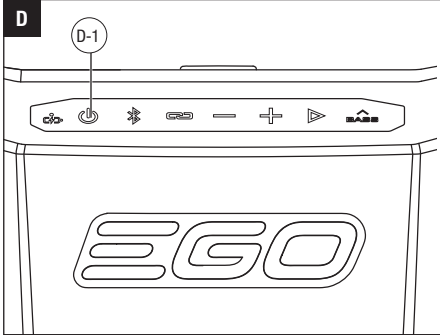
**C1**



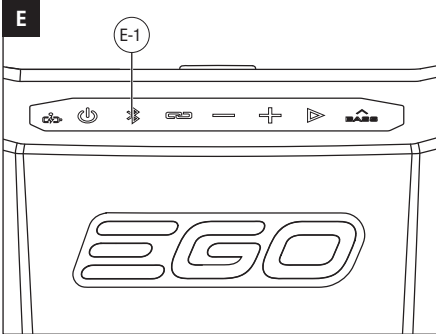
**C2**



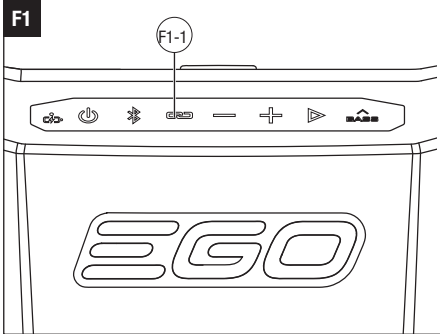
**D**



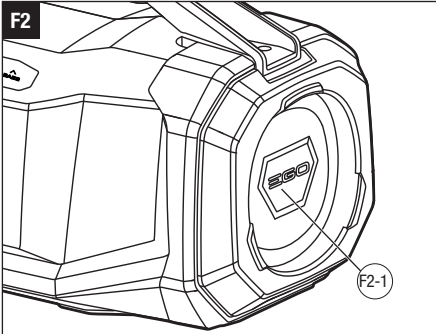
**E**



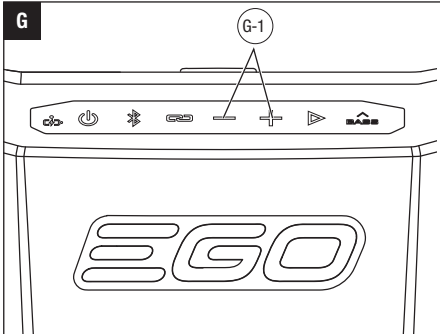
**F1**

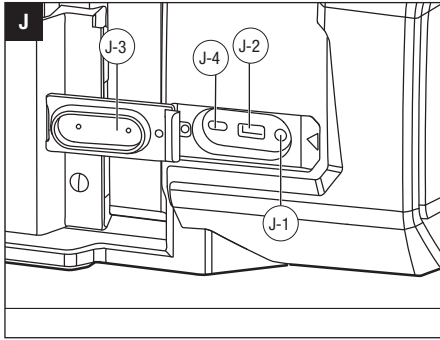
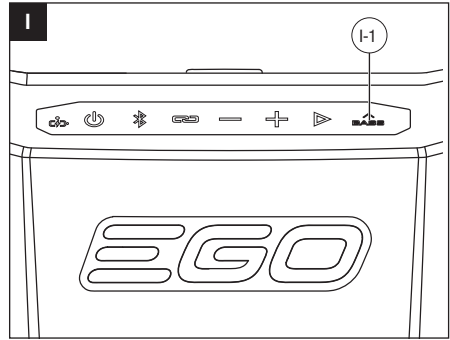
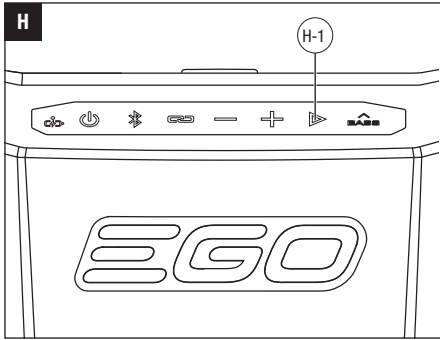


**F2**



**G**





## READ ALL INSTRUCTIONS!



### READ OPERATOR'S MANUAL

**⚠ WARNING:** To ensure safety and reliability, all repairs should be performed by a qualified service technician.

## SAFETY SYMBOLS

The purpose of safety symbols is to attract your attention to possible dangers. The safety symbols and the explanations with them deserve your careful attention and understanding. The symbol warnings do not, by themselves, eliminate any danger. The instructions and warnings they give are no substitutes for proper accident prevention measures.

**⚠ WARNING:** Be sure to read and understand all safety instructions in this Operator's Manual, including all safety alert symbols such as "**DANGER**", "**WARNING**", and "**CAUTION**" before using this machine. Failure to follow all instructions listed below may result in electric shock, fire, and/or serious personal injury.

## SAFETY INSTRUCTIONS

This page depicts and describes safety symbols that may appear on this product. Read, understand, and follow all instructions on the machine before attempting to assemble and operate.



Safety Alert



Bluetooth®



This product is in accordance with applicable EC directives.



Direct Current

Hz Hertz

V Voltage

°C Celsius



To reduce the risk of injury, user must read the operator's manual.



Waste electrical products should not be disposed of with household waste. Take to an authorized recycler.



UK Conformity Assessed

W Watt

m Meter

kg Kilogram

mm Millimeter

## GENERAL MACHINE SAFETY WARNINGS

**⚠ WARNING: READ ALL SAFETY WARNINGS, INSTRUCTIONS, ILLUSTRATIONS AND SPECIFICATIONS PROVIDED WITH THIS MACHINE.** Failure to follow all instructions listed below may result in electric shock, fire and/or serious injury.

**SAVE ALL WARNINGS AND INSTRUCTIONS FOR FUTURE REFERENCE.**

### WORK AREA SAFETY

- **Keep work area clean and well lit.** Cluttered or dark areas invite accidents.
- **Do not operate machines in explosive atmospheres, such as in the presence of flammable liquids, petrol or dust.** Machines create sparks which may ignite the dust or fumes.
- **Keep children and bystanders away while operating a machine.** Distractions can cause you to lose control.

### ELECTRICAL SAFETY

- **Machine plugs must match the outlet. Never modify the plug in any way. Do not use any adapter plugs with earthed (grounded) machines.** Unmodified plugs and matching outlets will reduce risk of electric shock.
- **Avoid body contact with earthed or grounded surfaces, such as pipes, radiators, ranges and refrigerators.** There is an increased risk of electric shock if your body is earthed or grounded.
- **Do not abuse the cord. Never use the cord for carrying, pulling or unplugging the machine. Keep cord away from heat, oil, sharp edges or moving parts.** Damaged or entangled cords increase the risk of electric shock.
- **When operating a speaker outdoors, use an extension cord suitable for outdoor use.** Use of a cord suitable for outdoor use reduces the risk of electric shock.
- **If operating a machine in a damp location is unavoidable, use a Ground-fault circuit interrupter protected supply.** Use of a GFCI reduces the risk of electric shock.

### PERSONAL SAFETY

- **Stay alert, watch what you are doing and use common sense when operating a machine. Do not use a machine while you are tired or under the influence of drugs, alcohol or medication.** A

moment of inattention while operating machines may result in serious personal injury.

### MACHINE USE AND CARE

- **Keep handles and grasping surfaces dry, clean and free from oil and grease.** Slippery handles and grasping surfaces do not allow for safe handling and control of the machine in unexpected situations.

### BATTERY MACHINE USE AND CARE

- **Recharge only with the charger specified by the manufacturer.** A charger that is suitable for one type of battery pack may create a risk of fire when used with another battery pack.
- **Use machines only with specifically designated battery packs.** Use of any other battery packs may create a risk of injury and fire.
- **When the battery pack is not in use, keep it away from other metal objects, like paper clips, coins, keys, nails, screws or other small metal objects, that can make a connection from one terminal to another.** Shorting the battery terminals together may cause burns or a fire.
- **Under abusive conditions, liquid may be ejected from the battery; avoid contact. If contact accidentally occurs, flush with water. If liquid contacts eyes, additionally seek medical help.** Liquid ejected from the battery may cause irritation or burns.
- **Do not use a battery pack or machine that is damaged or modified.** Damaged or modified batteries may exhibit unpredictable behaviour resulting in fire, explosion or risk of injury.
- **Do not expose a battery pack or machine to fire or excessive temperature.** Exposure to fire or temperature above 130 °C may cause explosion.
- **Follow all charging instructions and do not charge the battery pack or machine outside the temperature range specified in the instructions.** Charging improperly or at temperatures outside the specified range may damage the battery and increase the risk of fire.

### SERVICE

- **Have your machine serviced by a qualified repair person using only identical replacement parts.** This will ensure that the safety of the machine is maintained.
- **Never service damaged battery packs.** Service of battery packs should only be performed by the manufacturer or authorized service providers.

**SAFETY WARNINGS FOR OUTDOOR BLUETOOTH SPEAKER**

- **To reduce the risk of fire or electric shock, do not expose this apparatus to rain or moisture. Dry location use only.**
- **Only operate this apparatus in a well-ventilated area.**
- **Read these instructions.**
- **Heed all warnings.**
- **Follow all instructions.**
- **Do not use this apparatus near water.**
- **Clean only with dry cloth.**
- **Do not block any ventilation openings.** Install in accordance with the manufacturer's instructions.
- **Do not install near any heat sources such as radiators, heat registers, stoves, or other apparatus (including amplifiers) that produce heat.**
- **Only use attachments/accessories specified by the manufacturer.**
- **Use only with the cart, stand, tripod, bracket, or table specified by the manufacturer, or sold with the apparatus. When a cart is used, use caution when moving the cart/ apparatus combination to avoid injury from tip-over.**
- **Refer all servicing to qualified service personnel.** Servicing is required when the apparatus has been damaged in any way, such as power-supply cord or plug is damaged, liquid has been spilled or objects have fallen into the apparatus, the apparatus has been exposed to rain or moisture, does not operate normally, or has been dropped. Service or maintenance performed by unqualified personnel could result in a risk of injury.
- **A battery operated apparatus with integral batteries or a separate battery pack must be recharged only with the specified charger for the battery.** A charger that may be suitable for one type of battery may create a risk of fire when used with another battery.
- **Never disassemble the apparatus or try to do any rewiring on the apparatus's electrical system.**
- **Maintain the apparatus. Check for misalignment, breakage of parts and any other condition that may affect the apparatus operation. If damaged, have the apparatus repaired before use. Use the apparatus in accordance with these instructions, taking into account the working conditions and the work to be performed.** Use of the apparatus for operations different from those intended could result in a hazardous situation.

- **Keep the apparatus away from other metal objects, such as paper clips, coins, keys, nails, screws, or other small metal objects that can make a connection from one terminal to another.** Shorting the terminals together may cause burns or a fire.
- **Do not use the apparatus if it has been dropped or received a sharp blow.** A damaged apparatus will increase the risk of fire.
- **Dispose of a used battery promptly.** Keep away from children. Do not disassemble and do not dispose of in fire.
- **Use only with the specified battery packs and chargers.**

**Save these instructions.** Refer to them frequently and use them to instruct others who may use this machine. If you lend someone this machine, lend them these instructions also to prevent misuse of the product and possible injury.

**SPECIFICATIONS**

Voltage	56 V
Voltage for AC Power Adaptor	100-240 V~, 50/60 Hz
Output Power	180 W
Amplifier Power Output	Woofers: 80W x1
	Tweeter: 10W x 2
	Mid: 40W x 2
AUX Port	3.5 mm
USB-A Output	5 V, 2 A
USB-C Input/Output	DC5V 3A / DC9V 3A / DC12V 3A / DC15V 3A / DC20V 5A
Bluetooth® Range	> 55 m
Weight (Without battery pack)	7.7 kg
Recommended Operating Temperature	-15°C - 40°C
Recommended Storage Temperature	-20°C - 70°C

Ingress Protection Rating	IP54* (Protected against dust and splashing water)
---------------------------	--

\* **NOTE:** IP54 rating is based on the apparatus.

## PACKING LIST (FIG. A1)

### DESCRIPTION

#### KNOW YOUR OUTDOOR BLUETOOTH SPEAKER

(Fig. A1)

1. Handle
2. Control Panel
3. Battery-release Button
4. Breathing Light
5. Rubber Cover
6. AUX Port
7. USB-A Output Port
8. USB-C Input/Output Port
9. Charge Indicator
10. ON/OFF Button
11. Bluetooth Button
12. Link Button
13. Volume Down Button
14. Volume Up Button
15. Play/Pause Button
16. Bass Up Button

### OPERATION

#### APPLICATION

You may use this product for the purposes listed below:

- Audio playback from devices connected wirelessly or via and AUX cable.

#### ATTACHING/DETACHING THE BATTERY PACK

Use only with EGO's battery packs and chargers listed in Fig. A2.

Refer to corresponding battery packs and chargers manuals for more details.

#### Fully charge before first use.

**NOTE:** A sound will remind when the charge of battery pack is low.

#### To attach

Align the battery ribs with the mounting slots and press the battery pack down until you hear a "click" (Fig. B1).

#### To detach

Depress the battery-release button and pull the battery pack out (Fig. B2).

**⚠ WARNING:** Always take care to note the location of your feet, children, or pets when pressing the battery-release button. Serious injury could result if the battery falls. NEVER remove the battery when in a high location.

B1-1	Mounting Slot	B1-2	Rib
B1-3	Battery-release Button		

#### USING THE AC POWER ADAPTOR (NOT INCLUDED)

The AC power adaptor is not included when shipped. Adaptor and charging cable that comply with PD protocol and greater than 60W can be used as a power adaptor.

**NOTE:** When using the AC power adapter alone, the sound quality and volume of the music may be affected.

Open the rubber cover and insert the AC power adaptor plug into the USB-C input/output port on the back of the speaker. Plug the adaptor into a standard power outlet (Fig. C1).

Whenever the power adaptor is connected, the inserted battery pack is automatically being charged. The small dot light above the charge indicator symbol will flash white. When the battery pack is fully charged, the small dot light will shine solid white. When the small dot light shines solid red, it means the battery pack is faulty (Fig. C2).

The AC power adaptor should be disconnected from the power outlet when not in use.

**NOTE:** The battery pack and USB devices such as cell phones, MP3 players, etc. connected to USB-A output port can be charged when the AC power adaptor is connected.

**NOTICE:** Always close the rubber cover after each use to protect the ports from dust, dirt, and moisture.

C1-1	AC Power Adaptor	C1-2	USB-C Input/Output Port
C1-3	Rubber Cover	C2-1	Small Dot
C2-2	Charge Indicator		

#### SWITCHING THE SPEAKER ON AND OFF (Fig. D)

Briefly press the ON/OFF button, the speaker will switch on and the ON/OFF button light will stay illuminated and a sound will announce the connection.

To switch off the speaker, briefly press the ON/OFF button. A sound will announce the disconnection.

**NOTE:** the speaker will turn off automatically after 20 minutes, if there is no music playing or no output from



USB-A or USB-C ports.

D-1	ON/OFF Button
-----	---------------

### BLUETOOTH® OPERATING MODE (Fig. E)

After you turn on the speaker, the Bluetooth® pairing will automatically turn on indicated by the white flashing Bluetooth® button.

- Activate the Bluetooth® function on the device to be connected (smartphone or similar) and select “EGO SK1800E” as the target of the Bluetooth® connection on your device.
- A sound will announce the connection and the Bluetooth® button will remain illuminated after a device is connected successfully.

**NOTE:** If previously paired to the desired device, the speaker will automatically reconnect to the same device when the speaker is turned on.

**NOTE:** If the speaker suddenly has no sound or plays other media sound, it means that the second connected device has taken over the control of the speaker and popped up a silent advertisement or playing a song.

The Bluetooth® pairing mode will only be active for 3 minutes and will turn off automatically if no device is connected/paired.

Briefly press the Bluetooth® button, the Bluetooth® button starts flashing to indicate that a device can be connected.

Two devices can be connected to the speaker via Bluetooth® at the same time.

- After the first device is connected, press the Bluetooth® button until it starts flashing.
- Once the Bluetooth® button starts flashing, select “EGO SK1800E” on the second device and connect it to the speaker. After the connection is successful, there will be a voice announcement that the second device has been connected.

**NOTE:** If there is a playback problem, restart the speaker.

**To disconnect Bluetooth® device:** Press and hold the Bluetooth® button for more than 2 seconds or disconnect the speaker on your device.

E-1	Bluetooth® Button
-----	-------------------

### TO CONNECT MULTIPLE SK1800E UNITS USING LINK (Fig. F1, F2)

Up to 100 pcs SK1800E speakers can be connected using the link.

Turn the speakers on and make sure that one of the speakers is connected to a device via Bluetooth.

The speaker connected to the device will act as the “host” unit and can control playback (volume, play/pause, etc.).

**NOTE:** Once the volume is adjusted on the “host” unit, other connected speakers immediately adjust to the same volume level as the “host” unit.

Press and hold the link button for more than 2 seconds on the “host” and secondary speaker. When the connected speaker plays the music of the “host” unit, it means the two speakers are automatically linked with each other.

**NOTE:** If you want to connect to the third, fourth, or ninety-ninth speakers later, you only need to press and hold the LINK button for more than 2 seconds on the additional speaker(s).

The distance between the two linked speakers cannot exceed 40 meters in an open field.

Press and hold the link button for more than 2 seconds on the “host” unit or briefly turn off the other speakers to disconnect the LINK system.

In addition to connecting multiple speakers, the link button can also control the breathing light. Press the LINK button to turn on or turn off the breathing light. When there is no music playing, the breathing light will gradually dim to completely off, then gradually return to maximum brightness.

F1-1	Link Button	F2-1	Breathing Light
------	-------------	------	-----------------

### SETTING THE VOLUME (Fig. G)

The speaker features 16 volume levels.

- To reduce the volume, press the “-” button once to decrease the volume by one level.
- Press and hold the “-” button, to reduce the volume gradually. You can stop pressing the “-” button when the volume reaches your desired volume.
- To increase the volume, press the “+” button once to increase the volume by one level.
- Press and hold the “+” button, to increase the volume gradually. You can stop pressing the “+” button when the volume reaches your desired volume.

The volume adjustment can not only adjust the speaker volume, but also can adjust the volume on the device.

**NOTE:** When the volume is adjusted to the maximum, a sound will announce that it has reached the maximum volume.

G-1	Volume Down and Up Button
-----	---------------------------

### PLAY/PAUSE (Fig. H)

Press the play/pause button to start or pause the music. Press the play/pause button twice quickly to move to the next track/file.

H-1	Play/Pause Button
-----	-------------------

### BASS UP (Fig. I)

- Press the bass up button to amplify the bass. The bass up button will stay illuminated to indicate that the bass is amplified.
- Press the bass up button again to return the bass to the normal level. The bass up button light will turn off.

I-1	Bass Up Button
-----	----------------

### AUX OPERATING MODE (Fig. J)

Open the rubber cover, insert the AUX cable (not included) into the AUX port and make sure that it is properly connected.

Connect the external music source (MP3 player or similar) to the other end of the AUX cable.

Switch on the speaker and start the playback.

When finished playback, disconnect the AUX cable.

**NOTE:** Batteries of the connected devices cannot be charged via the AUX connection.

**NOTE:** When the speaker is switched off, the connected device is not automatically switched off.

J-1	AUX Port	J-2	USB-A Output Port
J-3	Rubber Cover	J-4	USB-C Input/Output Port

### USB POWER PORTS (Fig. J)

When a battery pack is installed or the speaker is connected to an AC power adaptor and the speaker is turned on, the USB-A output port and USB-C input/output port will supply charging power for low power devices such as cell phones, MP3 players, etc. Immediately disconnect the USB device after charging.

**NOTE:** The USB-A output port cannot be used for audio playback. Audio playback is only possible via Bluetooth or AUX connection.

**NOTICE:** Always close the rubber cover after each use to protect the ports from dust, dirt, and moisture.

## MAINTENANCE

**⚠ WARNING:** When servicing, use only identical replacement parts. Use of any other parts may create a hazard or cause product damage. To ensure safety and reliability, all repairs should be performed by a qualified service technician.

**⚠ WARNING:** To avoid serious personal injury, always remove the battery from the product when cleaning or performing any maintenance.

### GENERAL MAINTENANCE

Avoid using solvents when cleaning plastic parts. Most plastics are susceptible to damage from various types of commercial solvents and may be damaged by their use. Use a clean cloth to remove dirt, dust, oil, grease, etc.

**⚠ WARNING:** Do not at any time allow brake fluids, gasoline, petroleum-based products, penetrating oils, etc. to come in contact with plastic parts. Chemicals can damage, weaken or destroy plastic which may result in serious personal injury.

**⚠ WARNING:** To reduce the risk of fire, personal injury, and product damage due to a short circuit, never immerse your machine, battery pack or charger in fluid or allow a fluid to flow inside them. Corrosive or conductive fluids, such as seawater, certain industrial chemicals, and bleach or bleach containing products, etc., can cause a short circuit.

**STORAGE**

1. Remove the battery pack from the speaker.
2. Clean all foreign material from the speaker.
3. Store the speaker in a dry, well-ventilated area, out of the reach of children. Do not store the speaker on or adjacent to fertilizers, gasoline, or other chemicals.

**PROTECTING THE ENVIRONMENT**

Do not dispose of electrical equipment, used battery and charger into household waste! Take this product to an authorized recycler and make it available for separate collection. Electric tools must be returned to an environmentally compatible recycling facility.

**EN**

## EN TROUBLESHOOTING

PROBLEM	CAUSE	SOLUTION
Speaker doesn't work.	<ul style="list-style-type: none"><li>■ The battery pack is not attached to the speaker</li><li>■ There is no electrical contact between the speaker and battery.</li><li>■ The battery pack charge is depleted.</li><li>■ The battery pack is too hot.</li></ul>	<ul style="list-style-type: none"><li>■ Attach the battery pack to the speaker.</li><li>■ Remove battery pack, check contacts and reinstall the battery pack.</li><li>■ Charge the battery pack.</li><li>■ Cool the battery pack until its temperature drops below 67°C.</li></ul>
The speaker cannot properly pair with a Bluetooth device.	<ul style="list-style-type: none"><li>■ Out of Bluetooth pairing range.</li></ul>	<ul style="list-style-type: none"><li>■ Move your device closer to the speaker.</li></ul>

## WARRANTY

### EGO WARRANTY POLICY

Please visit the website [egopowerplus.eu](http://egopowerplus.eu) for full terms and conditions of the EGO Warranty policy.

## LESEN SIE ALLE ANWEISUNGEN!



### LESEN SIE DIE BETRIEBSANLEITUNG

DE

**⚠️ WARNUNG:** Um die Sicherheit und Zuverlässigkeit zu gewährleisten, sollten alle Reparaturen nur von qualifizierten Servicetechnikern durchgeführt werden.

## WARNSYMBOL

Der Zweck von Warnsymbolen besteht darin, Ihre Aufmerksamkeit auf mögliche Gefahren zu lenken. Die Warnsymbole und deren Erklärungen verdienen Ihre vollste Aufmerksamkeit und Beachtung. Durch die Warnsymbole allein sind die Gefahren noch nicht ausgeschaltet. Die Anweisungen und Warnhinweise stellen keinen Ersatz für angemessene Unfallverhütungsmaßnahmen dar.

**⚠️ WARNUNG:** Vor der Benutzung des Geräts sollten Sie alle Sicherheitshinweise in dieser Betriebsanleitung gelesen und verstanden haben. Das gilt auch für die Hinweise „**GEFAHR**“, „**WARNUNG**“ und „**VORSICHT**“. Die Nichtbeachtung der aufgeführten Hinweise kann zu Stromschlägen, Bränden und/oder schweren Verletzungen führen.

## SICHERHEITSHINWEISE

Auf dieser Seite werden die Warnsymbole vorgestellt und beschrieben, die sich unter Umständen am Gerät befinden. Vor dem Zusammenbau und der Inbetriebnahme müssen sämtliche Anweisungen am Gerät gelesen und genau befolgt werden.



Sicherheitshinweis



Bluetooth®



Dieses Produkt erfüllt die einschlägigen CE-Richtlinien.



Gleichstrom

Hz Hertz

V Spannung

°C Celsius



Um das Verletzungsrisiko zu verringern, muss der Benutzer die Bedienungsanleitung lesen.



Elektrische Altgeräte dürfen nicht im Hausmüll entsorgt werden. Bringen Sie das Gerät zu einem Wertstoffhof bzw. zu einer amtlichen Sammelstelle.



GB-Konformität beurteilt

W Watt

m Meter

kg Kilogramm

mm Millimeter

## ALLGEMEINE SICHERHEITSHINWEISE FÜR GERÄTE

DE

**⚠️ WARNUNG: BEACHTEN SIE ALLE SICHERHEITSHINWEISE, ANWEISUNGEN, ABBILDUNGEN UND TECHNISCHE DATEN, DIE DIESEM GERÄT BEILIEGEN.** Die Nichtbeachtung der unten aufgeführten Anweisungen kann zu Stromschlägen, Bränden und/oder schweren Verletzungen führen.

**BEWAHREN SIE ALLE WARNHINWEISE UND BEDIENUNGSANWEISUNGEN FÜR NACHSCHLAGEZWECKE AUF.**

### SICHERHEIT IM ARBEITSBEREICH

- **Halten Sie den Arbeitsbereich stets sauber und gut beleuchtet.** Unübersichtliche oder dunkle Bereiche begünstigen Unfälle.
- **Das Gerät darf nicht in einer explosionsgefährdeten Atmosphäre eingesetzt werden, wie z.B. in der Nähe zündfähiger Flüssigkeiten, Gase oder Stäube.** Geräte erzeugen Funken, die Stäube oder Dämpfe entzünden können.
- **Halten Sie Kinder und Schaulustige während des Gerätebetriebs fern.** Ablenkungen können dazu führen, dass Sie die Kontrolle verlieren.

### ELEKTRISCHE SICHERHEIT

- **Der Netzstecker des Geräts muss in die Steckdose passen. Der Netzstecker darf unter keinen Umständen modifiziert werden. Keine Adapterstecker an geerdeten Geräten benutzen.** Nicht modifizierte Stecker und passende Steckdosen reduzieren die Stromschlaggefahr.
- **Vermeiden Sie den Körperkontakt zu geerdeten Flächen, wie zum Beispiel Rohrleitungen, Heizkörpern, Herden und Kühlschränken.** Es besteht erhöhte Stromschlaggefahr, wenn Ihr Körper geerdet ist.
- **Das Netzkabel darf nicht zweckentfremdet werden. Das Netzkabel darf nicht zum Tragen, Ziehen oder Herausziehen des Elektrowerkzeugs aus der Steckdose verwendet werden. Das Netzkabel muss vor Hitze, Öl, scharfen Kanten oder beweglichen Teilen ferngehalten werden.** Durch beschädigte oder verknottete Kabel besteht erhöhte Stromschlaggefahr.
- **Wenn Sie den Lautsprecher im Freien betreiben, verwenden Sie ein für den Außeneinsatz geeignetes Verlängerungskabel.** Die Nutzung eines für die Verwendung im Freien geeigneten Kabels verringert das Risiko eines Stromschlags.

- **Wenn sich der Einsatz des Geräts an einem feuchten Ort nicht vermeiden lässt, benutzen Sie eine Steckdose, die mit einem FI-Schalter gesichert ist.** Die Verwendung einer Fehlerstromschutzeinrichtung reduziert die Stromschlaggefahr.

### PERSONENSICHERHEIT

- **Seien Sie wachsam, geben Sie darauf Acht, was Sie tun, und benutzen Sie Ihren gesunden Menschenverstand beim Betrieb eines Geräts. Benutzen Sie das Gerät nicht, wenn Sie müde sind oder unter dem Einfluss von Drogen, Alkohol oder Medikamenten stehen.** Ein Moment der Unachtsamkeit kann beim Gerätebetrieb zu ernsthaften Verletzungen führen.

### NUTZUNG UND PFLEGE DES GERÄTS

- **Halten Sie die Griffe und Griffflächen trocken, sauber und frei von Öl und Fett.** Rutschige Griffe und Griffflächen beeinträchtigen die sichere Handhabung des Geräts und führen in unerwarteten Situationen zum Verlust der Kontrolle über das Gerät.

### BENUTZUNG UND PFLEGE DES GERÄTEAKKUS

- **Laden Sie den Akku nur mit dem vom Hersteller vorgegebenen Ladegerät auf.** Ein Ladegerät, das für einen bestimmten Akkutyp geeignet ist, kann bei der Benutzung eines anderen Akkus zu einer Brandgefahr werden.
- **Verwenden Sie das Gerät nur mit den eigens dafür vorgesehenen Akkus.** Bei Verwendung anderer Akkus besteht Verletzungs- und Brandgefahr.
- **Wenn der Akku nicht benutzt wird, halten Sie ihn von metallischen Gegenständen fern, wie etwa Büroklammern, Münzen, Schlüsseln, Nägeln, Schrauben oder anderen kleinen Metallgegenständen, die eine Verbindung zwischen den Polen herstellen können.** Das Kurzschließen der Pole kann Verbrennungen oder Brände verursachen.
- **Bei unsachgemäßer Anwendung kann Flüssigkeit aus dem Akku austreten; Kontakt vermeiden.** Falls Sie versehentlich mit Akkusäure in Berührung gekommen sind, spülen Sie mit Wasser. Falls Akkusäure in die Augen geraten ist, suchen Sie zudem einen Arzt auf. Aus dem Akku austretende Flüssigkeit kann Reizungen oder Verätzungen verursachen.
- **Benutzen Sie keine beschädigten oder modifizierten Akkus oder Geräte.** Beschädigte oder umgebaute Akkus können sich unvorhergesehen verhalten, wodurch möglicherweise ein Brand, eine

Explosion oder Verletzungen verursacht werden.

- **Akkus oder Geräte vor Feuer oder extremen Temperaturen schützen.** Brände oder Temperaturen über 130 °C können eine Explosion verursachen.
- **Befolgen Sie alle Ladeanweisungen und laden Sie den Akku oder das Gerät nicht außerhalb des Temperaturbereichs auf, der in der Anleitung angegebenen ist.** Das unsachgemäße Aufladen oder Laden außerhalb des angegebenen Temperaturbereichs kann den Akku beschädigen und die Brandgefahr erhöhen.

#### REPARATUREN

- **Lassen Sie das Gerät nur von qualifiziertem Fachpersonal und nur mit Original-Ersatzteilen reparieren.** Dadurch wird sichergestellt, dass die Sicherheit des Geräts gewahrt bleibt.
- **Reparieren Sie unter keinen Umständen beschädigte Akkus.** Akkus sollten ausschließlich vom Hersteller selbst oder einer autorisierten Reparaturwerkstatt repariert werden.

#### SICHERHEITSHINWEISE FÜR DEN OUTDOOR-BLUETOOTH-LAUTSPRECHER

- **Um die Gefahr von Bränden oder Stromschlägen zu verringern, darf das Gerät weder Regen noch Feuchtigkeit ausgesetzt werden. Nur an trockenen Orten verwenden.**
- **Betreiben Sie dieses Gerät nur in einem gut belüfteten Bereich.**
- **Lesen Sie diese Anweisungen.**
- **Beachten Sie alle Warnungen.**
- **Befolgen Sie alle Anweisungen.**
- **Verwenden Sie dieses Gerät nicht in der Nähe von Wasser.**
- **Nur mit einem trockenen Tuch reinigen.**
- **Blockieren Sie keine Lüftungsöffnungen.** Bei der Aufstellung sind die Anweisungen des Herstellers zu beachten.
- **Stellen Sie das Gerät nicht in der Nähe von Wärmequellen wie Heizkörpern, Heizregistern, Öfen oder anderen Geräten (einschließlich Verstärkern) auf, die Wärme erzeugen.**
- **Verwenden Sie nur die vom Hersteller angegebenen Anbau- bzw. Zubehörteile.**
- **Verwenden Sie das Gerät nur mit dem vom Hersteller angegebenen oder mit dem Gerät verkauften Wagen, Ständer, Stativ, Halterung oder Tisch. Wenn ein Wagen verwendet wird, ist Vorsicht geboten, wenn Sie die Wagen-/Gerätekombination bewegen, um Verletzungen durch Umkippen zu vermeiden.**
- **Überlassen Sie alle Wartungsarbeiten qualifiziertem Servicepersonal.** Das Gerät muss gewartet werden, wenn es in irgendeiner Weise beschädigt wurde, z. B. wenn das Netzkabel oder der Stecker beschädigt ist, wenn Flüssigkeit verschüttet wurde oder Gegenstände auf das Gerät gefallen sind, wenn das Gerät Regen oder Feuchtigkeit ausgesetzt war, wenn es nicht normal funktioniert oder wenn es fallen gelassen wurde. Von ungeschulten Personen durchgeführte Wartungs- bzw. Instandhaltungsarbeiten stellen eine Verletzungsgefahr dar.
- **Ein akkubetriebenes Gerät mit integrierten Akku oder einem separaten Akkupack darf nur mit dem für den Akku angegebenen Ladegerät aufgeladen werden.** Ein Ladegerät, das für einen Akkutyp geeignet ist, kann bei Verwendung an einem anderen Akku zu einem Brandrisiko werden.
- **Nehmen Sie das Gerät niemals auseinander und versuchen Sie nicht, die Geräteelektrik umzurüsten.**
- **Halten Sie das Gerät instand. Überprüfen Sie das Gerät auf falsche mechanische Einstellungen, defekte Teile und andere Umstände, die den Gerätebetrieb beeinträchtigen. Lassen Sie ein beschädigtes Gerät vor der Benutzung reparieren. Halten Sie sich bei der Benutzung des Geräts an diese Anleitung und berücksichtigen Sie die Einsatzbedingungen und die auszuführenden Arbeiten.** Die nicht bestimmungsgemäße Verwendung des Geräts kann gefährliche Situationen hervorrufen.
- **Halten Sie das Gerät von anderen Metallgegenständen wie Büroklammern, Münzen, Schlüsseln, Nägeln, Schrauben oder anderen kleinen Metallgegenständen fern, die zwischen den Polen einen elektrischen Kontakt herstellen können.** Beim Kurzschließen der Pole können Verbrennungen oder Brände verursacht werden.
- **Benutzen Sie das Gerät nicht, wenn es heruntergefallen ist oder einen harten Schlag erlitten hat.** Durch ein beschädigtes Gerät erhöht sich das Brandrisiko.
- **Entsorgen Sie verbrauchte Akkus umgehend.** Halten Sie das Gerät von Kindern fern. Nicht zerlegen und nicht ins Feuer werfen.
- **Nur mit den angegebenen Akkus und Ladegeräten verwenden.**

**Heben Sie diese Anleitung auf.** Schlagen Sie gegebenenfalls darin nach und verwenden Sie sie, um

andere in die Verwendung dieses Geräts einzuweisen. Falls Sie dieses Gerät an andere verleihen, händigen Sie ihnen auch diese Anleitung aus, um einem Missbrauch der Gerät und möglichen Verletzungen vorzubeugen.

DE

## TECHNISCHE DATEN

Spannung	56 V
Spannung für AC-Netzteil	100-240 V~ 50/60 Hz
Ausgangsleistung	180 W
Verstärker-Ausgangsleistung	Tieftöner: 80 W x 1
	Hochtöner: 10 W x 2
	Mitteltöner: 40 W x 2
AUX-Anschluss	3,5 mm
USB-A-Ausgang	5 V, 2 A
USB-C-Eingang/-Ausgang	DC5V 3A / DC9V 3A / DC12V 3A / DC15V 3A / DC20V 5A
Bluetooth®-Reichweite	>55 m
Gewicht (ohne Akku)	7,7 kg
Empfohlene Betriebstemperatur	-15 - 40 °C
Empfohlene Lagertemperatur	-20 - 70 °C
Schutzgrad-Klassifizierung	IP54* (Schutz vor Staub und Spritzwasser)

\* **ANMERKUNG:** Die IP54-Schutzgrad-Klassifizierung basiert auf dem Gerät.

## PACKLISTE (ABB. A1)

## BESCHREIBUNG

### BESCHREIBUNG IHRES OUTDOOR-BLUETOOTH-LAUTSPRECHERS (Abb. A1)

1. Griff
2. Bedienfeld

3. Akkuentriegelung
4. Pulsierendes Licht
5. Gummiaabdeckung
6. AUX-Anschluss
7. USB-A-Ausgang
8. USB-C-Eingang/Ausgang
9. Ladeanzeige
10. EIN-/AUS-Taste
11. Bluetooth-Taste
12. Verknüpfungstaste
13. Taste zum Verringern der Lautstärke
14. Taste zum Erhöhen der Lautstärke
15. Wiedergabe-/Pause-Taste
16. Taste zum Erhöhen des Basses

## BETRIEB

### VERWENDUNGSZWECK

Sie können dieses Produkt für die unten aufgeführten Zwecke einsetzen:

- Audiowiedergabe von Geräten, die kabellos oder über ein AUX-Kabel verbunden sind.

### ANBRINGEN/ABNEHMEN DES AKKUS

Nur die in Abb. A2 aufgeführten EGO Akkus und Ladegeräte verwenden.

Weitere Einzelheiten finden Sie in den entsprechenden Anleitungen der Akkus und Ladegeräte.

### Vor dem ersten Gebrauch voll aufladen.

**ANMERKUNG:** Ein Ton signalisiert, dass die Akkuladung niedrig ist.

### Anbringen

Die Stege am Akkugehäuse mit den Geräteaufnahmen fluchten lassen und den Akku bis zum hörbaren Einrasten hineinschieben (Abb. B1).

### Abnehmen

Die Akku-Entriegelungstaste drücken und den Akku abnehmen (Abb. B2).

**⚠️ WARNUNG:** Achten Sie immer auf Ihre Füße und auf Kinder oder Haustiere, wenn Sie die Akkuentriegelung drücken. Das Fallenlassen des Akkus kann zu ernsthaften Verletzungen führen. Entfernen Sie den Akku NIEMALS aus einer hohen Position heraus.



B1-1	Aufnahme	B1-2	Steg
B1-3	Akkuentriegelung		

### VERWENDUNG DES AC-NETZTEILS (NICHT INBEGRIFFEN)

Das Netzteil ist nicht im Lieferumfang enthalten. Adapter und Ladekabel, die dem PD-Protokoll entsprechen und mehr 60 W haben, können als Netzteil verwendet werden.

**ANMERKUNG:** Bei alleiniger Verwendung des AC-Netzteils kann die Klangqualität und Lautstärke der Musik beeinträchtigt werden.

Öffnen Sie die Gummiabdeckung und stecken Sie den Stecker des AC-Netzteils in den USB-C-Eingang/-Ausgang auf der Rückseite des Lautsprechers. Schließen Sie das Netzteil an einer herkömmlichen Steckdose an (Abb. C1).

Immer wenn das Netzteil angeschlossen ist, wird der eingelegte Akku automatisch geladen. Der kleine Punkt über dem Ladeanzeigesymbol blinkt weiß. Wenn der Akku vollständig aufgeladen ist, leuchtet der kleine Punkt durchgehend weiß. Leuchtet der kleine Punkt durchgehend rot, ist der Akkupack defekt (Abb. C2).

Wenn das AC-Netzteil nicht benutzt wird, sollte es aus der Steckdose gezogen werden.

**ANMERKUNG:** Der Akkupack und USB-Geräte wie Mobiltelefone, MP3-Player usw., die an den USB-A-Ausgang angeschlossen sind, können aufgeladen werden, wenn das AC-Netzteil angeschlossen ist.

**HINWEIS:** Schließen Sie die Gummiabdeckung immer nach jedem Gebrauch, um die Anschlüsse vor Staub, Schmutz und Feuchtigkeit zu schützen.

C1-1	AC-Netzteil	C1-2	USB-C-Eingang/ Ausgang
C1-3	Gummiabdeckung	C2-1	Kleiner Punkt
C2-2	Ladeanzeige		

### EIN- UND AUSSCHALTEN DES LAUTSPRECHERS (Abb. D)

Drücken Sie kurz die EIN/AUS-Taste; der Lautsprecher schaltet sich dann ein, das Licht der EIN/AUS-Taste leuchtet durchgehend und ein Ton signalisiert die Verbindung.

Zum Ausschalten des Lautsprechers drücken Sie kurz die EIN/AUS-Taste. Ein Ton signalisiert die Trennung der Verbindung.

**HINWEIS:** Der Lautsprecher schaltet sich nach 20 Minuten automatisch aus, wenn keine Musik abgespielt wird oder keine Ausgabe über den USB-A- oder den USB-C-Anschluss erfolgt.

D-1	EIN-/AUS-Taste
-----	----------------

### BLUETOOTH®-BETRIEBSMODUS (Abb. E)

Nach dem Einschalten des Lautsprechers wird automatisch die Bluetooth®-Kopplung aktiviert, was durch die weiß blinkende Bluetooth®-Taste angezeigt wird.

- Aktivieren Sie an dem zu verbindenden Gerät die Bluetooth®-Funktion (Smartphone oder Ähnliches) und wählen Sie „EGO SK1800E“ als Ziel für die Bluetooth®-Verbindung auf Ihrem Gerät.
- Ein Ton signalisiert die Verbindung, und die Bluetooth®-Taste leuchtet nach erfolgreicher Verbindung eines Geräts durchgehend.

**ANMERKUNG:** Wenn der Lautsprecher zuvor mit dem gewünschten Gerät gekoppelt war, wird er automatisch wieder mit demselben Gerät verbunden, sobald er eingeschaltet wird.

**ANMERKUNG:** Wenn der Lautsprecher plötzlich keinen Ton oder das den Ton anderer Medien wiedergibt, bedeutet das, dass das zweite gekoppelte Gerät den Lautsprecher jetzt steuert und eine stille Werbung oder ein Song abgespielt wird.

Der Bluetooth®-Kopplungsmodus ist nur 3 Minuten aktiv und deaktiviert sich automatisch, wenn kein Gerät verbunden/gekoppelt ist.

Drücken Sie kurz die Bluetooth®-Taste; die Bluetooth®-Taste beginnt zu blinken, um anzuzeigen, dass ein Gerät verbunden werden kann.

Es können gleichzeitig zwei Geräte über Bluetooth® mit dem Lautsprecher verbunden werden.

- Halten Sie nach dem Verbinden des ersten Geräts die Bluetooth®-Taste gedrückt, bis sie zu blinken beginnt.
- Sobald die Bluetooth®-Taste zu blinken beginnt, wählen Sie auf dem zweiten Gerät „EGO SK1800E“ und verbinden Sie es mit dem Lautsprecher. Nachdem die Verbindung erfolgreich hergestellt wurde, signalisiert eine Sprachansage, dass das zweite Gerät verbunden wurde.

**ANMERKUNG:** Wenn ein Wiedergabeproblem vorliegt, starten Sie den Lautsprecher neu.

**Trennen des Bluetooth®-Geräts:** Halten Sie die Bluetooth®-Taste länger als 2 Sekunden gedrückt oder trennen Sie den Lautsprecher von Ihrem Gerät aus.

## KOPPLUNG MEHRERER SK1800E GERÄTE ÜBER DIE VERKNÜPFUNGSFUNKTION (Abb. F1, F2)

Über die Verknüpfungsfunktion können bis zu 100 x SK1800E Lautsprecher verbunden werden.

Schalten Sie die Lautsprecher ein und stellen Sie sicher, dass einer der Lautsprecher über Bluetooth mit einem Gerät verbunden ist.

Der mit dem Gerät verbundene Lautsprecher fungiert als „Host“-Gerät, über das die Wiedergabe (Lautstärke, Start/ Pause usw.) gesteuert werden kann.

**ANMERKUNG:** Sobald die Lautstärke auf dem „Host“-Gerät eingestellt wurde, wird die Lautstärke der anderen verbundenen Lautsprecher sofort auf die gleiche Stufe wie die des „Host“-Geräts eingestellt.

Halten Sie die Verknüpfungstaste länger als 2 Sekunden auf dem „Host“ und Sekundärlautsprecher gedrückt. Wenn der verbundene Lautsprecher die Musik des „Host“-Geräts abspielt, sind die beiden Lautsprecher automatisch miteinander verknüpft.

**ANMERKUNG:** Wenn Sie später eine Verbindung zu einem dritten, vierten oder neunundneunzigsten Lautsprecher herstellen möchten, müssen Sie nur die Verknüpfungstaste länger als 2 Sekunden an den zusätzlichen Lautsprechern gedrückt.

Der Abstand zwischen den beiden verbundenen Lautsprechern kann maximal 40 Meter im Freien betragen.

Halten Sie die Verknüpfungstaste des „Host“-Geräts länger als 2 Sekunden gedrückt oder schalten Sie die anderen Lautsprecher kurz aus, um das VERKNÜPFUNGS-System zu trennen.

Neben der Verbindung mehrerer Lautsprecher kann mit der Verknüpfungstaste auch das pulsierende Licht gesteuert werden. Drücken Sie die Verknüpfungstaste, um das pulsierende Licht ein- oder auszuschalten. Wenn keine Musik abgespielt wird, wird das pulsierende Licht langsam gedimmt, bis es vollständig ausgeschaltet ist, und kehrt dann langsam zur maximalen Helligkeit zurück.

## EINSTELLEN DER LAUTSTÄRKE (Abb. G)

Der Lautsprecher verfügt über 16 Lautstärkestufen.

- Drücken Sie zum Verringern der Lautstärke einmal die Taste „-“, um die Lautstärke um eine Stufe zu verringern.

- Halten Sie die Taste „-“ gedrückt, um die Lautstärke allmählich zu verringern. Sie können die Taste „-“ loslassen, wenn die gewünschte Lautstärke erreicht ist.
- Drücken Sie zum Erhöhen der Lautstärke einmal die Taste „+“, um die Lautstärke um eine Stufe zu erhöhen.
- Halten Sie die Taste „+“ gedrückt, um die Lautstärke allmählich zu erhöhen. Sie können die Taste „+“ loslassen, wenn die gewünschte Lautstärke erreicht ist.

Die Lautstärkeeinstellung kann nicht nur die Lautsprecherlautstärke, sondern auch die Lautstärke am Gerät regulieren.

**ANMERKUNG:** Wenn die Lautstärke auf das Maximum eingestellt ist, ertönt ein Ton, der das Erreichen der maximalen Lautstärke signalisiert.

## WIEDERGABE/PAUSE (Abb. H)

Drücken Sie die Wiedergabe-/Pause-Taste, um die Musikwiedergabe zu starten oder zu unterbrechen.

Drücken Sie die Wiedergabe-/Pause-Taste zweimal schnell, um zum nächsten Titel/Datei zu gelangen.

## ERHÖHEN DES BASSES (Abb. I)

- Drücken Sie die Taste zum Erhöhen des Basses, um den Bass zu verstärken. Die Taste zum Erhöhen des Basses leuchtet, um anzuzeigen, dass der Bass verstärkt ist.
- Drücken Sie erneut die Taste zum Erhöhen des Basses, um den Bass wieder auf die normale Stufe einzustellen. Das Licht der Taste schaltet sich dann aus.

## AUX-BETRIEBSMODUS (Abb. J)

Öffnen Sie die Gummabdeckung, verbinden Sie das AUX-Kabel (nicht im Lieferumfang enthalten) mit dem AUX-Anschluss und stellen Sie sicher, dass es ordnungsgemäß angeschlossen ist.

Schließen Sie das andere Ende des AUX-Kabels an die externe Musikquelle (MP3-Player o.ä.) an.

Schalten Sie die externe Musikquelle ein, um die Wiedergabe zu starten.

Trennen Sie nach der Wiedergabe das AUX-Kabel vom Lautsprecher.

**ANMERKUNG:** Die Akkus der angeschlossenen Geräte können nicht über die AUX-Verbindung aufgeladen werden.

**ANMERKUNG:** Mit dem Ausschalten des Lautsprechers wird das angeschlossene Gerät nicht automatisch ausgeschaltet.

J-1	AUX-Anschluss	J-2	USB-A-Ausgang
J-3	Gummiabdeckung	J-4	USB-C-Eingang/ Ausgang

### USB-LADEANSCHLÜSSE (Abb. J)

Wenn ein Akkupack eingelegt ist oder der Lautsprecher mit einem AC-Netzteil verbunden und eingeschaltet ist, liefern der USB-A-Ausgang und der USB-C-Eingang/Ausgang Ladestrom für Niedervoltgeräte wie Mobiltelefone, MP3-Player usw. Ziehen Sie das USB-Gerät nach dem Aufladen sofort ab.

**ANMERKUNG:** Der USB-A-Ausgang kann nicht für die Audiowiedergabe verwendet werden. Audiowiedergabe ist nur über Bluetooth oder AUX möglich.

**HINWEIS:** Schließen Sie die Gummiabdeckung immer nach jedem Gebrauch, um die Anschlüsse vor Staub, Schmutz und Feuchtigkeit zu schützen.

## WARTUNG

**⚠️ WARNUNG:** Verwenden Sie für die Wartung nur baugleiche Ersatzteile. Die Verwendung anderer Teile kann Unfälle und Schäden am Gerät hervorrufen. Um die Sicherheit und Zuverlässigkeit zu gewährleisten, sollten alle Reparaturen nur von qualifizierten Servicetechnikern durchgeführt werden.

**⚠️ WARNUNG:** Um ernsthafte Personenschäden zu vermeiden, entfernen Sie immer den Akku aus dem Produkt, wenn Sie das Gerät säubern oder Wartungsarbeiten vornehmen.

### ALLGEMEINE WARTUNG

Zum Reinigen von Kunststoffteilen Lösungsmittel vermeiden. Die verschiedenen handelsüblichen Lösungsmittel greifen die meisten Kunststoffe an. Verwenden Sie saubere Lappen zum Entfernen von Schmutz, Staub, Öl, Fett usw.

**⚠️ WARNUNG:** Halten Sie unter allen Umständen Bremsflüssigkeit, Benzin, Erzeugnisse auf Erdölbasis, Kriechöle usw. von den Kunststoffteilen fern. Chemikalien können Kunststoffe angreifen, schwächen oder zerstören, was zu schweren Verletzungen führen kann.

**⚠️ WARNUNG:** Um das Risiko von Bränden, Verletzungen und Produktschäden aufgrund eines Kurzschlusses zu verringern, tauchen Sie Ihr Gerät, Ihren Akku oder Ihr Ladegerät niemals in Flüssigkeit und lassen Sie keine Flüssigkeit eindringen. Ätzende oder leitfähige Flüssigkeiten wie Meerwasser, bestimmte Industriechemikalien und Bleichmittel oder bleichmittelhaltige Produkte usw. können einen Kurzschluss verursachen.

### LAGERUNG

1. Nehmen Sie den Akku aus dem Lautsprecher.
2. Entfernen Sie alle Fremdkörper vom Lautsprecher.
3. Lagern Sie den Lautsprecher an einem trockenen, gut belüfteten Ort, der für Kinder unerschwinglich ist. Verstauen Sie den Lautsprecher nicht auf oder in der Nähe von Düngemitteln, Benzin oder anderen Chemikalien.

### SCHUTZ DER UMWELT



Elektrogeräte, alte Akkus und Ladegeräte dürfen nicht im Hausmüll entsorgt werden! Das Gerät muss einer offiziellen Recycling-Sammelstelle zur getrennten Entsorgung zugeführt werden.

Elektrogeräte müssen bei einem umweltfreundlichen Recycling-Betrieb abgegeben werden.

## STÖRUNGSBEHEBUNG

DE

PROBLEM	URSACHE	LÖSUNG
Lautsprecher funktioniert nicht.	<ul style="list-style-type: none"><li>■ Der Akku ist nicht am Lautsprecher angeschlossen.</li><li>■ Zwischen Lautsprecher und Akku ist kein elektrischer Kontakt.</li><li>■ Der Akku ist entladen.</li><li>■ Der Akku ist zu heiß.</li></ul>	<ul style="list-style-type: none"><li>■ Akku am Lautsprecher anbringen.</li><li>■ Akku abnehmen, Kontakte überprüfen und wieder anschließen.</li><li>■ Laden Sie den Akku auf.</li><li>■ Lassen Sie den Akku abkühlen, bis die Temperatur unter 152 °F (67 °C) gesunken ist.</li></ul>
Der Lautsprecher kann nicht richtig mit einem Bluetooth-Gerät gekoppelt werden.	<ul style="list-style-type: none"><li>■ Außerhalb der Bluetooth-Reichweite.</li></ul>	<ul style="list-style-type: none"><li>■ Stellen Sie Ihr Gerät näher an den Lautsprecher.</li></ul>

## GARANTIE

### EGO-GARANTIEBEDINGUNGEN

Sämtliche EGO-Garantiebedingungen finden Sie auf der Website [egopowerplus.eu](http://egopowerplus.eu).

## LISEZ TOUTES LES INSTRUCTIONS!



**LISEZ LE MANUEL D'UTILISATION**

FR

**AVERTISSEMENT** : Pour garantir la sécurité et la fiabilité, toutes les réparations doivent être effectuées par un réparateur qualifié.

## SYMBOLES DE SÉCURITÉ

L'objectif des symboles de sécurité est d'attirer votre attention sur des dangers potentiels. Les symboles de sécurité et les explications les accompagnant doivent être lus attentivement et compris. Les symboles de mise en garde ne permettent pas par eux-mêmes d'éliminer les dangers. Les consignes et mises en garde ne se substituent pas à des mesures de prévention des accidents appropriées.

**AVERTISSEMENT** : Veuillez à lire et comprendre toutes les consignes de sécurité du présent mode d'emploi, y compris les symboles d'alerte de sécurité tels que « **DANGER** », « **AVERTISSEMENT** » et « **ATTENTION** » avant d'utiliser cette machine. Le non-respect de toutes les instructions énumérées ci-dessous peut entraîner un choc électrique, un incendie et / ou de graves blessures.

## CONSIGNES DE SÉCURITÉ

Cette page décrit des symboles de sécurité pouvant être présents sur ce produit. Lisez, comprenez et respectez toutes les instructions présentes sur l'outil avant d'essayer de l'assembler et de l'utiliser.



Alerte de sécurité



Pour réduire le risque de blessures, l'utilisateur doit lire la notice d'utilisation.



Bluetooth®



Les produits électriques usagés ne doivent pas être jetés avec les ordures ménagères. Apportez-les dans un centre de recyclage agréé.



Ce produit est conforme aux directives CE applicables.



Conformité Royaume-Uni évaluée



Courant continu

W Watt

Hz Hertz

m Mètre

V Tension

kg Kilogramme

°C Celsius

mm Millimètre

## CONSIGNES DE SÉCURITÉ GÉNÉRALES POUR LA MACHINE

FR

### **⚠ AVERTISSEMENT : LISEZ TOUTES LES MISES EN GARDE, CONSIGNES, ILLUSTRATIONS ET SPÉCIFICATIONS FOURNIES AVEC CETTE MACHINE.**

Le non-respect des consignes figurant ci-dessous peut provoquer un choc électrique, un incendie et/ou des blessures graves.

### **CONSERVEZ TOUTES LES CONSIGNES DE SÉCURITÉ ET TOUTES LES INSTRUCTIONS POUR POUVOIR VOUS Y RÉFÉRER ULTÉRIEUREMENT.**

#### SÉCURITÉ DE L'AIRE DE TRAVAIL

- **Maintenez l'aire de travail propre et bien éclairée.**  
Les endroits sombres ou désordonnés augmentent les risques d'accident.
- **N'utilisez pas les machines dans des atmosphères explosives, par exemple en présence de liquides, d'essence ou de poussières inflammables.** Les machines génèrent des étincelles pouvant enflammer poussières et vapeurs.
- **Veillez à ce que les enfants et les passants restent éloignés de la machine pendant l'utilisation.** Un moment d'inattention peut vous faire perdre le contrôle de l'outil.

#### SÉCURITÉ ÉLECTRIQUE

- **La fiche de la machine doit correspondre à la prise électrique. Ne modifiez jamais la prise de quelque manière que ce soit. N'utilisez jamais d'adaptateur avec des machines pourvues d'une mise à la terre.** Les fiches non modifiées et les prises électriques appropriées réduisent le risque de choc électrique.
- **Évitez tout contact physique avec des surfaces mises à la terre ou mises à la masse, telles que tuyaux, radiateurs, fours et réfrigérateurs.** Il y a un risque accru de choc électrique si votre corps est relié à la terre ou à la masse, directement ou indirectement.
- **Prenez soin du câble d'alimentation. N'utilisez jamais le cordon d'alimentation pour porter, tirer ou débrancher la machine. Veillez à ce que le câble d'alimentation n'entre jamais en contact avec de l'huile, des pièces mobiles, des arêtes tranchantes, et ne soit jamais exposé à de la chaleur.** Les câbles d'alimentation endommagés ou emmêlés augmentent le risque de choc électrique.
- **Quand vous utilisez un haut-parleur en extérieur, utilisez une rallonge électrique adaptée à un usage en extérieur.** L'utilisation d'une rallonge conçue pour

un usage en extérieur permet de réduire le risque de choc électrique.

- **S'il est impossible d'éviter d'utiliser une machine dans un endroit humide, utilisez une alimentation protégée par un disjoncteur de fuite à la terre.** L'utilisation d'un DDFT réduit le risque de choc électrique.

#### SÉCURITÉ DES PERSONNES

- **Faites preuve de vigilance et de concentration sur ce que vous faites et exercez votre bon sens lors de l'utilisation d'une machine. N'utilisez pas une machine quand vous êtes fatigué(e), sous l'emprise de l'alcool, de stupéfiants ou de médicaments.** Un moment d'inattention pendant l'utilisation d'une machine peut provoquer des blessures corporelles graves.

#### UTILISATION ET ENTRETIEN DE LA MACHINE

- **Maintenez les poignées et surfaces de préhension propres, sèches et exemptes d'huile et de graisse.** Les poignées et surfaces de préhension glissantes ne permettent pas de tenir et de contrôler la machine de manière sûre en cas de situations inattendues.

#### UTILISATION ET ENTRETIEN DE LA BATTERIE DE LA MACHINE

- **Rechargez la batterie exclusivement avec le chargeur spécifié par le fabricant.** Un chargeur adapté à un type de batterie en particulier peut présenter un risque d'incendie s'il est utilisé avec un type de batterie différent.
- **Utilisez les machines uniquement avec la batterie indiquée.** L'utilisation de toute autre batterie peut engendrer un risque de blessures et d'incendie.
- **Quand la batterie n'est pas utilisée, elle doit être rangée à distance de tous les objets métalliques, tels que les trombones, pièces de monnaie, clés, clous, vis et tous les autres petits objets métalliques pouvant mettre en contact ses bornes.** Mettre en court-circuit les bornes de la batterie peut provoquer des brûlures ou un incendie.
- **Si la batterie est soumise à des conditions d'utilisation excessives, du liquide peut s'en échapper. Évitez tout contact avec ce liquide. En cas de contact accidentel, rincez à grande eau. En cas de contact avec les yeux, vous devez en outre consulter un médecin.** Le liquide qui s'échappe de la batterie peut provoquer des irritations et des brûlures.
- **N'utilisez pas une batterie ou une machine endommagée ou modifiée.** Les batteries modifiées ou endommagées peuvent avoir un comportement

imprévisible provoquant un incendie, une explosion ou un risque de blessure.

- **N'exposez pas la batterie ou la machine à des flammes ou à une température excessive.** L'exposition au feu ou à des températures supérieures à 130 °C peut provoquer une explosion.
- **Respectez toutes les consignes de recharge et ne rechargez pas la batterie ou la machine hors de la plage de température spécifiée dans les consignes.** La recharge incorrecte ou à des températures hors de la plage spécifiée peut endommager la batterie et accroître le risque d'incendie.

#### RÉPARATION

- **Faites réparer votre machine par un réparateur qualifié qui ne doit utiliser que des pièces de recharge identiques.** Ceci permet de garantir la sécurité de la machine.
- **Ne réparez jamais les batteries endommagées.** La réparation des batteries doit toujours être effectuée par le fabricant ou des réparateurs agréés.

#### MISES EN GARDE POUR HAUT-PARLEUR BLUETOOTH D'EXTÉRIEUR

- **Afin de réduire le risque d'incendie ou de choc électrique, n'exposez pas cet appareil à la pluie ou à l'humidité. Utilisation dans un endroit sec uniquement.**
- **N'utilisez cet appareil que dans un endroit bien aéré.**
- **Lisez ce mode d'emploi.**
- **Tenez compte de tous les avertissements.**
- **Suivez toutes les instructions.**
- **N'utilisez pas cet appareil près de l'eau.**
- **Nettoyez l'appareil avec un chiffon sec et rien d'autre.**
- **Ne bloquez pas les ouvertures de ventilation.** Installez cet appareil conformément au mode d'emploi du fabricant.
- **Ne pas installer à proximité de sources de chaleur telles que des radiateurs, des registres de chaleur, des poêles ou d'autres appareils (y compris des amplificateurs) qui produisent de la chaleur.**
- **N'utilisez que les pièces jointes/accessoires spécifiés par le fabricant.**
- **À utiliser uniquement avec le chariot, le socle, le trépied, le support ou la table spécifiés par le fabricant ou vendus avec l'appareil. Lorsqu'un chariot est utilisé, soyez prudent lorsque vous**

**déplacez la combinaison chariot/appareil afin d'éviter tout renversement qui pourrait causer des blessures.**

- **Confiez toute opération de réparation à un technicien qualifié.** Une réparation est nécessaire lorsque l'appareil a été endommagé de quelque manière que ce soit, par exemple si le câble d'alimentation ou la fiche est endommagé, si du liquide a été renversé ou si des objets sont tombés dans l'appareil, si l'appareil a été exposé à la pluie ou à l'humidité, s'il ne fonctionne pas normalement ou s'il est tombé. L'entretien ou la maintenance effectués par une personne non qualifiée peut entraîner un risque de blessure.
- **Un appareil fonctionnant sur batterie avec des batteries intégrées ou une batterie séparée ne doit être rechargé qu'avec le chargeur spécifié pour la batterie.** Un chargeur qui peut convenir à un type de batterie peut constituer un risque d'incendie s'il est utilisé avec une autre batterie.
- **Ne démontez jamais l'appareil et n'essayez jamais de recâbler le système électrique de l'appareil.**
- **L'appareil a besoin d'entretien. Vérifiez qu'il n'y a pas de désalignement, de bris de pièces et de toute autre condition susceptible d'affecter le bon fonctionnement de l'appareil. S'il est endommagé, faites réparer l'appareil avant de le réutiliser. Utilisez l'appareil conformément au présent mode d'emploi, en tenant compte des conditions de travail et du travail à effectuer.** L'utilisation de l'appareil à d'autres finalités que celles pour lesquelles il a été conçu peut engendrer des situations dangereuses.
- **Gardez l'appareil à distance d'autres objets métalliques, tels que des trombones, des pièces de monnaie, des clés, des clous, des vis ou d'autres petits objets métalliques qui pourraient établir une connexion d'une borne à l'autre.** Mettre en court-circuit les bornes peut provoquer des brûlures ou un incendie.
- **N'utilisez pas l'appareil s'il est tombé ou s'il a reçu un choc violent.** Un appareil endommagé augmente le risque d'incendie.
- **Une batterie usagée doit être aussitôt mise au rebut.** Maintenez-les hors de portée des enfants. Ne pas démonter et ne pas jeter au feu.
- **Utilisez l'appareil uniquement avec les batteries et chargeurs spécifiés.**

**Conservez ce manuel d'utilisation.** Consultez-la fréquemment et servez-vous-en pour informer les autres personnes souhaitant utiliser cette machine. Si vous

prêtez cette machine à un tiers, prêtez-lui également ce manuel d'utilisation pour éviter l'utilisation incorrecte du produit et des blessures potentielles.

FR

## SPÉCIFICATIONS

Tension	56 V
Tension pour l'adaptateur secteur AC	100-240 V~, 50/60 Hz
Puissance de sortie	180 W
Puissance de sortie de l'amplificateur	Woofers : 80 W x1
	Tweeter : 10 W x 2
	Milieu : 40 W x 2
Port AUX	3,5 mm
Sortie USB-A	5 V, 2 A
Entrée/sortie USB-C	DC5V 3A / DC9V 3A / DC12V 3A / DC15V 3A / DC20V 5A
Portée Bluetooth®	> 55 m
Poids (sans la batterie)	7,7 kg
Température d'utilisation recommandée	-15°C - 40°C
Température de stockage recommandée	-20 °C - 70 °C
Indice de protection contre les infiltrations	IP54* (Protégé contre la poussière et les projections d'eau)

\* **REMARQUE** : L'indice IP54 est basé sur l'appareil.

## CONTENU DE L'EMBALLAGE (FIG. A1)

## DESCRIPTION

### DESCRIPTION DE VOTRE HAUT-PARLEUR BLUETOOTH D'EXTÉRIEUR (Fig. A1)

1. Guidon
2. Panneau de contrôle
3. Bouton de déblocage de la batterie

4. Lumière respirante
5. Couvercle en caoutchouc
6. Port AUX
7. Port de sortie USB-A
8. Port d'entrée/sortie USB-C
9. Témoin de charge
10. Bouton marche/arrêt
11. Bouton de Bluetooth
12. Bouton Link
13. Bouton volume +
14. Bouton volume -
15. Bouton lecture/pause
16. Bouton Bass +

## FONCTIONNEMENT

### APPLICATION

Vous pouvez utiliser cet outil pour les usages listés ci-dessous :

- Lecture audio à partir d'appareils connectés sans fil ou via un câble AUX.

### INSERTION / RETRAIT DE LA BATTERIE

Utilisez exclusivement les batteries et les chargeurs EGO listés à la Fig. A2.

Reportez-vous aux manuels des batteries et des chargeurs correspondants pour plus de détails.

### Rechargez complètement la batterie avant la première utilisation.

**REMARQUE** : Un bip sonore vous avertit quand la batterie est bientôt épuisée.

### Pour attacher la batterie

Alignez les arêtes de la batterie sur les rainures d'assemblage et poussez la batterie vers le bas jusqu'à entendre un dé clic (Fig. B1).

### Pour retirer la batterie

Appuyez sur le bouton de déblocage de la batterie et retirez la batterie (Fig. B2).

**⚠ AVERTISSEMENT** : Faites toujours attention à la position de vos pieds ainsi qu'à la présence d'enfants ou d'animaux lorsque vous appuyez sur le bouton de déblocage de la batterie. La chute de la batterie pourrait entraîner des blessures graves. Ne retirez JAMAIS la batterie si vous vous trouvez en hauteur.



B1-1	Rainure d'assemblage	B1-2	Arête
B1-3	Bouton de déblocage de la batterie		

### UTILISATION DE L'ADAPTATEUR SECTEUR (NON INCLUS)

L'adaptateur secteur n'est pas inclus. Un adaptateur et un câble de charge conformes au protocole PD (Power Delivery) et d'une puissance supérieure à 60 W peuvent être utilisés comme adaptateur secteur.

**REMARQUE :** Lorsque vous utilisez l'adaptateur secteur seul, la qualité sonore et le volume de la musique peuvent être affectés.

Ouvrez le couvercle en caoutchouc et insérez la fiche de l'adaptateur secteur dans le port d'entrée/sortie USB-C situé à l'arrière du haut-parleur. Branchez l'adaptateur sur une prise de courant standard (Fig. C1).

Chaque fois que l'adaptateur secteur est connecté, la batterie insérée se charge automatiquement. Le petit point lumineux au-dessus du symbole du témoin de charge clignote en blanc. Lorsque la batterie est complètement chargée, le petit point lumineux brille en blanc fixe. Si le petit point lumineux s'allume en rouge fixe, cela signifie que la batterie est défectueuse (Fig. C2).

L'adaptateur secteur doit être débranché de la prise de courant lorsque l'appareil n'est pas utilisé.

**REMARQUE :** La batterie et les périphériques USB tels que les téléphones portables, les lecteurs MP3, etc. connectés au port de sortie USB-A peuvent être chargés lorsque l'adaptateur secteur est branché.

**REMARQUE :** Fermez toujours le couvercle en caoutchouc après chaque utilisation afin de protéger les ports de la poussière, de la saleté et de l'humidité.

C1-1	Adaptateur secteur AC	C1-2	Port d'entrée/sortie USB-C
C1-3	Couvercle en caoutchouc	C2-1	Petit point
C2-2	Témoin de charge		

### ALLUMER ET ÉTEINDRE LE HAUT-PARLEUR (Fig. D)

Appuyez brièvement sur le bouton ON/OFF, le haut-parleur s'allume, le voyant du bouton ON/OFF reste allumé et un bip sonore annonce la connexion.

Pour éteindre le haut-parleur, appuyez brièvement

sur le bouton marche/arrêt. Un bip sonore annonce la déconnexion.

**REMARQUE :** le haut-parleur s'éteindra automatiquement après 20 minutes s'il n'y a pas de musique en cours de lecture ou pas de sortie des ports USB-A ou USB-C.

D-1	Bouton marche/arrêt
-----	---------------------

### MODE DE FONCTIONNEMENT BLUETOOTH® (Fig. E)

Après avoir allumé le haut-parleur, l'appairage Bluetooth® s'active automatiquement, indiqué par le bouton Bluetooth® clignotant en blanc.

- Activez la fonction Bluetooth® sur l'appareil à connecter (smartphone ou similaire) et sélectionnez « EGO SK1800E » comme cible de la connexion Bluetooth® sur votre appareil.
- Un bip sonore annonce la connexion et le bouton Bluetooth® reste allumé une fois qu'un appareil est connecté avec succès.

**REMARQUE :** Si l'appareil a déjà été connecté au haut-parleur par le passé, le haut-parleur se reconnectera automatiquement au même appareil lorsqu'il est allumé.

**REMARQUE :** Si le haut-parleur n'a soudainement plus de son ou joue un autre son multimédia, cela signifie que le deuxième appareil connecté a pris le contrôle du haut-parleur et a lancé une publicité silencieuse ou la lecture d'une chanson.

Le mode d'appairage Bluetooth® n'est actif que pendant 3 minutes et se désactive automatiquement si aucun appareil n'est connecté/appairé.

Faites un appui court sur le bouton Bluetooth®, le bouton Bluetooth® commence à clignoter pour indiquer qu'un appareil peut être connecté.

Deux appareils peuvent être connectés au haut-parleur via Bluetooth® en même temps.

- Une fois le premier appareil connecté, appuyez sur le bouton Bluetooth® jusqu'à ce qu'il commence à clignoter.
- Une fois que le Bluetooth® commence à clignoter, sélectionnez « EGO SK1800E » sur le deuxième appareil et connectez-le au haut-parleur. Une fois la connexion établie, une annonce vocale indique que le deuxième appareil a été connecté.

**REMARQUE :** En cas de problème de lecture, redémarrez le haut-parleur.

**Pour déconnecter l'appareil Bluetooth® :** Faites un appui long sur le bouton Bluetooth® pendant plus de 2

secondes ou débranchez le haut-parleur de votre appareil.

E-1	Bouton Bluetooth®
-----	-------------------

FR

## POUR CONNECTER PLUSIEURS UNITÉS SK1800E À L'AIDE DE LA FONCTION LINK (Fig. F1, F2)

Jusqu'à 100 haut-parleurs SK1800E peuvent être connectés à l'aide de la fonction Link.

Allumez les haut-parleurs et assurez-vous que l'un d'entre eux est connecté à un appareil via Bluetooth.

Le haut-parleur connecté à l'appareil agit comme l'unité « hôte » et peut contrôler la lecture (volume, lecture/pause, etc.).

**REMARQUE :** Une fois le volume réglé sur l'unité « hôte », les autres haut-parleurs connectés s'ajustent immédiatement au même niveau de volume que l'unité « hôte ».

Appuyez sur le bouton link et maintenez-le enfoncé pendant plus de 2 secondes sur l'« hôte » et le haut-parleur secondaire. Lorsque le haut-parleur connecté diffuse la musique de l'unité « hôte », cela signifie que les deux haut-parleurs sont automatiquement reliés l'un à l'autre.

**REMARQUE :** Si vous souhaitez vous connecter aux troisième, quatrième ou quatre-vingt-dix-neuvième haut-parleurs plus tard, il vous suffit d'appuyer sur le bouton LINK et de le maintenir enfoncé pendant plus de 2 secondes sur le ou les haut-parleurs supplémentaires.

La distance entre les deux haut-parleurs reliés ne peut pas dépasser 40 mètres dans un champ ouvert.

Appuyez sur le bouton LINK et maintenez-le enfoncé pendant plus de 2 secondes sur l'unité « hôte » ou éteignez brièvement les autres haut-parleurs pour déconnecter le système LINK.

En plus de connecter plusieurs haut-parleurs, le bouton Link peut également contrôler la lumière respirante. Appuyez sur le bouton LINK pour allumer ou éteindre la lumière respirante. Lorsqu'il n'y a pas de musique en cours de lecture, la lumière respirante s'atténue progressivement jusqu'à s'éteindre complètement, puis revient progressivement à la luminosité maximale.

F1-1	Bouton Link	F2-1	Lumière respirante
------	-------------	------	--------------------

## RÉGLAGE DU VOLUME (Fig. G)

Le haut-parleur est dotée de 16 niveaux de volume.

- Réduction du volume : appuyez une fois sur le bouton « - » pour diminuer le volume d'un niveau.

- Appuyez sur le bouton « - » et maintenez-le enfoncé pour baisser le volume progressivement. Vous pouvez arrêter d'appuyer sur le bouton « - » lorsque le volume atteint le niveau souhaité.

- Augmentation du volume : appuyez une fois sur le bouton « + » pour augmenter le volume d'un niveau.
- Appuyez sur le bouton « + » et maintenez-le enfoncé pour monter le volume progressivement. Vous pouvez arrêter d'appuyer sur le bouton « + » lorsque le volume atteint le niveau souhaité.

Le réglage du volume peut non seulement régler le volume du haut-parleur, mais également celui de l'appareil.

**REMARQUE :** Lorsque le volume est réglé au maximum, un bip sonore annonce que le volume maximum est atteint.

G-1	Bouton de réduction et d'augmentation du volume
-----	---

## LECTURE/PAUSE (Fig. H)

Appuyez sur le bouton lecture/pause pour démarrer ou mettre en pause la musique.

Appuyez deux fois rapidement sur le bouton lecture/pause pour passer à la piste/au fichier suivant.

H-1	Bouton lecture/pause
-----	----------------------

## BASS + (Fig. I)

- Appuyez sur le bouton bass + pour amplifier les basses. Le bouton d'augmentation des basses restera allumé pour indiquer que les basses sont amplifiées.
- Appuyez à nouveau sur le bouton bass + pour ramener les basses au niveau normal. Le voyant du bouton de bass + s'éteint.

I-1	Bouton Bass +
-----	---------------

## MODE DE FONCTIONNEMENT AUX (Fig. J)

Ouvrez le couvercle en caoutchouc, insérez le câble AUX (non inclus) dans le port AUX et assurez-vous qu'il est bien connecté.

Connectez la source de musique externe (lecteur MP3 ou similaire) à l'autre extrémité du câble AUX.

Allumez le haut-parleur et démarrez la lecture.

Une fois la lecture terminée, débranchez le câble AUX.

**REMARQUE :** Les batteries des appareils connectés ne peuvent pas être chargées via la connexion AUX.

**REMARQUE :** Eteindre le haut-parleur n'éteint pas les appareils connectés.

J-1	Port AUX	J-2	Port de sortie USB-A
J-3	Couvercle en caoutchouc	J-4	Port d'entrée/sortie USB-C

### PORTS D'ALIMENTATION USB (Fig. J)

Lorsqu'une batterie est installée ou que le haut-parleur est branchée sur l'alimentation secteur et qu'il est allumé, le port d'alimentation USB-A fournit l'alimentation de charge pour les appareils de faible puissance tels que les téléphones portables, les lecteurs MP3, etc. Débranchez immédiatement le périphérique USB après la charge.

**REMARQUE :** Le port de sortie USB-A ne peut pas être utilisé pour la lecture audio. La lecture audio n'est possible que via une connexion Bluetooth ou AUX.

**REMARQUE :** Fermez toujours le couvercle en caoutchouc après chaque utilisation afin de protéger les ports de la poussière, de la saleté et de l'humidité.

## ENTRETIEN

**⚠ AVERTISSEMENT :** La machine ne doit être réparée qu'avec des pièces de rechange identiques. L'utilisation de toute autre pièce peut créer un danger ou détériorer l'outil. Pour garantir la sécurité et la fiabilité, toutes les réparations doivent être effectuées par un réparateur qualifié.

**⚠ AVERTISSEMENT :** Pour vous prémunir contre le risque de blessures graves, retirez toujours la ou les batteries de l'outil avant toute opération de nettoyage ou d'entretien.

### ENTRETIEN GÉNÉRAL

N'utilisez pas de solvant pour nettoyer les pièces en plastique. La plupart des plastiques peuvent être détériorés par de nombreux types de solvants vendus dans le commerce. Utilisez un chiffon propre pour enlever les saletés, les poussières, l'huile, la graisse, etc.

**⚠ AVERTISSEMENT :** Veillez à ce que les pièces en plastique n'entrent jamais en contact avec du liquide de frein, de l'essence, des produits à base de pétrole, du dégrissant, etc. Les produits chimiques peuvent endommager, fragiliser ou détruire les pièces en plastique, ce qui peut provoquer des blessures corporelles graves.

**⚠ AVERTISSEMENT :** Afin de réduire le risque d'incendie, de blessures corporelles et de dommages au produit dus à un court-circuit, n'immergez en aucun cas la machine, la batterie ou le chargeur dans un liquide et ne laissez jamais un liquide s'écouler à l'intérieur. Les fluides corrosifs ou conducteurs, tels que l'eau de mer, certains produits chimiques industriels, l'eau de Javel ou les produits contenant de l'eau de Javel, etc., peuvent provoquer un court-circuit.

### RANGEMENT

1. Retirez la batterie du haut-parleur.
2. Nettoyez tous les corps étrangers du haut-parleur.
3. Rangez le haut-parleur dans un endroit sec, bien aéré et hors de portée des enfants. Ne rangez pas le haut-parleur sur ou à proximité d'engrais, d'essence ou d'autres substances chimiques.

### PROTECTION DE L'ENVIRONNEMENT



Ne jetez pas les équipements électriques, les batteries et les chargeurs usagés avec les ordures ménagères ! Apportez ce produit chez un recycleur agréé et rendez-le disponible pour une collecte séparée. Les outils électriques doivent être amenés dans un centre de recyclage pour assurer le respect de l'environnement.

## GUIDE DE DÉPANNAGE

FR

PROBLÈME	CAUSE	SOLUTION
Le haut-parleur ne fonctionne pas.	<ul style="list-style-type: none"><li>■ La batterie n'est pas insérée dans le haut-parleur.</li><li>■ Il n'y a pas de contact électrique entre le haut-parleur et la batterie.</li><li>■ La batterie est déchargée.</li><li>■ La batterie est trop chaude.</li></ul>	<ul style="list-style-type: none"><li>■ Insérez la batterie dans la scie.</li><li>■ Retirez la batterie, inspectez les contacts, puis réinsérez la batterie.</li><li>■ Rechargez la batterie.</li><li>■ Laissez la batterie refroidir jusqu'à ce que sa température devienne inférieure à 67°C.</li></ul>
Le haut-parleur ne peut pas être correctement appairé à un appareil Bluetooth.	<ul style="list-style-type: none"><li>■ Hors de portée pour l'appairage Bluetooth.</li></ul>	<ul style="list-style-type: none"><li>■ Rapprochez votre appareil du haut-parleur.</li></ul>

## GARANTIE

### POLITIQUE DE GARANTIE EGO

Rendez-vous sur le site web [egopowerplus.eu](http://egopowerplus.eu) pour consulter l'intégralité des conditions de la politique de garantie EGO.

## ¡LEA TODAS LAS INSTRUCCIONES!



**LEA EL MANUAL DEL USUARIO**

**⚠ ADVERTENCIA:** Para garantizar la seguridad y fiabilidad de la herramienta, las reparaciones debe realizarlas únicamente un técnico cualificado.

**ES**

## SÍMBOLOS DE SEGURIDAD

El propósito de los símbolos de seguridad es atraer su atención hacia posibles peligros. Los símbolos de seguridad y las explicaciones que los acompañan requieren su máxima atención y comprensión. Por sí solos, los símbolos de advertencia no eliminan los posibles peligros. Las instrucciones y advertencias que proporcionan no sustituyen a las medidas adecuadas de prevención de accidentes.

**⚠ ADVERTENCIA:** Asegúrese de leer y comprender todas las instrucciones de seguridad de este manual del operador, incluidos todos los símbolos de alerta de seguridad como «**PELIGRO**», «**ADVERTENCIA**» y «**PRECAUCIÓN**» antes de utilizar esta máquina. Si no se observan todas las instrucciones que se indican a continuación existe riesgo de incendio, electrocución y lesiones graves.

## PRECAUCIONES DE SEGURIDAD

Esta página muestra y describe los símbolos de seguridad que puede haber en este producto. Antes del montaje y utilización del producto, asegúrese de leer, comprender y seguir todas las instrucciones que están en la máquina.



Aviso de seguridad



Para reducir el riesgo de lesiones, el usuario debe leer el manual de instrucciones.



Bluetooth®



Los productos eléctricos no deben eliminarse con la basura doméstica. Llévelos a un centro de reciclaje autorizado.



Este producto está en conformidad con las directivas de la CE aplicables.



Conformidad para el Reino Unido evaluada



Corriente continua

W Vatios

Hz Hercios

m Metros

V Tensión

kg Kilogramo

°C Celsius

mm Milímetro

## ADVERTENCIAS GENERALES DE SEGURIDAD DE LA MÁQUINA

ES

**⚠ ADVERTENCIA:** LEA TODAS LAS ADVERTENCIAS DE SEGURIDAD, INSTRUCCIONES, ILUSTRACIONES Y ESPECIFICACIONES INCLUIDAS CON ESTA MÁQUINA. Si no se cumplen todas las instrucciones que se enumeran a continuación, pueden producirse descargas eléctricas, incendios o lesiones graves.

**CONSERVE TODAS LAS INSTRUCCIONES Y ADVERTENCIAS PARA PODER CONSULTARLAS EN EL FUTURO.**

### SEGURIDAD EN LA ZONA DE TRABAJO

- **Mantenga la zona de trabajo limpia y bien iluminada.** Las zonas desordenadas u oscuras invitan a los accidentes.
- **No utilice máquinas en entornos explosivos, por ejemplo, en presencia de líquidos inflamables, gasolina o polvo.** Las máquinas crean chispas que pueden encender el polvo o los humos.
- **Mantenga a los niños y las demás personas alejados cuando esté utilizando una máquina.** Las distracciones podrían hacerle perder el control de la herramienta.

### SEGURIDAD ELÉCTRICA

- **Los enchufes de las máquinas deben coincidir con la toma de corriente. No modifique nunca el enchufe de ningún modo. Nunca utilice enchufes adaptadores o ladrones de corriente con máquinas equipadas con conexión a tierra.** Si no se modifican los enchufes y estos corresponden con las tomas de corriente, se reducirán enormemente los riesgos de electrocución.
- **Evite cualquier contacto corporal con superficies conectadas a tierra, como tuberías, radiadores, hornillos eléctricos y frigoríficos.** Existe un mayor riesgo de descarga eléctrica si su cuerpo tiene conexión a tierra.
- **No maltrate el cable. Nunca utilice el cable para transportar, arrastrar, o desenchufar la máquina. Mantenga el cable alejado del calor, el aceite, los bordes afilados o las piezas móviles.** Los cables dañados o enredados aumentan el riesgo de descarga eléctrica.
- **Cuando use una altavoz al aire libre, utilice un cable alargador adecuado para uso en exteriores.** El uso de un cable adecuado para exteriores reducirá el riesgo de descarga eléctrica.

- **Si es inevitable usar una máquina en un entorno húmedo, utilice una alimentación con un interruptor de protección diferencial.** La utilización de un interruptor de protección diferencial reducirá el riesgo de descarga eléctrica.

### SEGURIDAD PERSONAL

- **Manténgase alerta, preste atención a lo que está haciendo y aplique el sentido común durante el uso de una máquina. No utilice una máquina si está cansado o se encuentra bajo los efectos de estupefacientes, alcohol o fármacos.** Cualquier momento de descuido durante la utilización de máquinas podría provocar lesiones físicas graves.

### USO Y CUIDADO DE LA MÁQUINA

- **Mantenga las asas y las superficies de agarre secas, limpias y libres de aceite y grasa.** Si las asas y las superficies de agarre están resbaladizas, no se puede manejar la máquina de forma segura ni mantener el control en las situaciones inesperadas.

### USO Y CUIDADO DE LA MÁQUINA A BATERÍA

- **Recargue únicamente con el cargador especificado por el fabricante.** Un cargador que es adecuado para un tipo de batería podría ocasionar un incendio si se utiliza con una batería distinta.
- **Utilice las máquinas solo con las baterías diseñadas específicamente para ellas.** El uso de cualquier otro tipo de batería puede provocar riesgo de lesiones e incendio.
- **Cuando no se esté utilizando la batería, manténgala apartada de objetos metálicos como clips para papeles, monedas, llaves, clavos, tornillos, o cualquier otro objeto metálico pequeño que pudiera provocar un cortocircuito en sus terminales de corriente.** Si se provoca el cortocircuito en los terminales de la batería, podrían producirse quemaduras o incendios.
- **En condiciones de uso intensivo, es posible que se produzca una fuga de líquido de la batería; evite el contacto. Enjuague con agua si se produce un contacto accidental. Si el líquido entra en contacto con los ojos, solicite también atención médica.** El líquido que emana de la batería puede provocar irritaciones o quemaduras.
- **No utilice una batería o una máquina que haya sido modificada o que esté dañada.** Las baterías dañadas o modificadas pueden tener un comportamiento impredecible y provocar un incendio, explosión o riesgo de lesiones.
- **No exponga la batería ni la máquina al fuego ni a**

**una temperatura excesiva.** La exposición al fuego o a una temperatura superior a 130 °C podría provocar una explosión.

- **Siga todas las instrucciones de carga y no cargue la batería ni la máquina fuera del rango de temperatura especificado en las instrucciones.** Una carga incorrecta o a temperaturas fuera del rango especificado puede dañar la batería y aumentar el riesgo de incendio.

#### SERVICIO TÉCNICO

- **Las reparaciones de la máquina debe realizarlas un técnico cualificado, utilizando solo piezas de recambio idénticas.** Solo de este modo podrá garantizarse la seguridad de la máquina.
- **No repare nunca baterías que estén dañadas.** Las baterías solo debe repararlas el fabricante o un centro de servicio técnico autorizado.

#### ADVERTENCIAS DE SEGURIDAD PARA ALTAVOCES BLUETOOTH PARA EXTERIORES

- **Para reducir el riesgo de incendio o descarga eléctrica, no exponga este aparato a la lluvia o la humedad. Uso exclusivo en lugares secos.**
- **Utilice este aparato únicamente en un área bien ventilada.**
- **Lea estas instrucciones.**
- **Preste atención a todas las advertencias.**
- **Siga todas las instrucciones.**
- **No use este aparato cerca del agua.**
- **Limpie únicamente con un paño seco.**
- **No bloquee las aberturas de ventilación.** Instalar de acuerdo con las instrucciones del fabricante.
- **No lo instale cerca de fuentes de calor como radiadores, rejillas de calefacción, estufas u otros aparatos (incluidos amplificadores) que produzcan calor.**
- **Utilice únicamente complementos/accesorios especificados por el fabricante.**
- **Úselo únicamente con el carro, base, trípode, soporte o mesa especificados por el fabricante o vendidos con el aparato.** Cuando se utiliza un carro, tenga cuidado al mover la combinación de carro/aparato para evitar lesiones por vuelco.
- **Para cualquier reparación, póngase en contacto con el personal de servicio cualificado.** Se requiere reparación cuando el aparato ha sufrido algún daño como, por ejemplo, si el cable de alimentación o el enchufe están dañados, se ha derramado líquido o

han caído objetos dentro del aparato, el aparato ha estado expuesto a la lluvia o la humedad, no funciona normalmente o se ha caído. Cualquier reparación u operación de mantenimiento efectuada por personal no cualificado podría suponer un riesgo de lesiones físicas.

- **Un aparato que funcione con baterías integradas o con una batería separada debe recargarse únicamente con el cargador especificado para la batería.** Un cargador que puede ser adecuado para un tipo de batería puede generar riesgo de incendio cuando se utiliza con otra batería.
- **No desmonte nunca el aparato ni intente volver a cablear el sistema eléctrico del aparato.**
- **Realice el mantenimiento del aparato. Compruebe si hay desalineación, rotura de piezas y cualquier otra condición que pueda afectar al funcionamiento del aparato. Si está dañado, haga reparar el aparato antes de usarlo. Utilice el aparato de acuerdo con estas instrucciones, teniendo en cuenta las condiciones de trabajo y la tarea a realizar.** El uso del aparato para fines diferentes a los previstos podría provocar situaciones de peligro.
- **Mantenga el aparato alejado de otros objetos metálicos, como clips, monedas, llaves, clavos, tornillos u otros objetos metálicos pequeños que puedan establecer una conexión de un terminal a otro.** Un cortocircuito entre los terminales puede provocar quemaduras o un incendio.
- **No utilice el aparato si se ha caído o ha recibido un golpe fuerte.** Un aparato dañado aumentará el riesgo de incendio.
- **Elimine una batería usada lo antes posible.** Manténgala fuera del alcance de niños. No la desmonte ni la arroje al fuego.
- **Utilizar sólo con las baterías y cargadores especificados.**

**Guarde estas instrucciones.** Consúltelas con frecuencia y utilícelas para instruir a otras personas que vayan a usar esta máquina. En caso de prestar esta máquina a terceros, proporciónelas también estas instrucciones para evitar el uso incorrecto y posibles lesiones.

## ESPECIFICACIONES

ES

Tensión	56 V
Tensión para adaptador de alimentación de CA	100-240 V~ 50/60 Hz
Potencia de salida	180 W
Potencia de salida del amplificador	Altavoz de graves: 80 W x1
	Altavoz de agudos: 10 W x 2
	Altavoz de medios: 40 W x 2
Puerto AUX	3,5 mm
Salida USB-A	5 V, 2 A
Entrada/salida USB-C	CC 5V 3A / CC 9V 3A / CC 12V 3A / CC 15V 3A / CC 20V 5A
Alcance de Bluetooth®	> 55 m
Peso (sin batería)	7,7 kg
Temperatura de funcionamiento recomendada	de -15 °C a 40 °C
Temperatura de almacenamiento recomendada	De -20 °C a 70 °C
Grado de protección contra la penetración	IP54* (protegido contra el polvo y las salpicaduras de agua)

\* **NOTA:** La clasificación IP54 se basa en el aparato.

## LISTA DE CONTENIDO (FIG. A1)

## DESCRIPCIÓN

### CONOZCA SU ALTAVOZ BLUETOOTH PARA EXTERIORES (fig. A1)

1. Manillar
2. Panel de control
3. Botón de liberación de la batería
4. Luz pulsante

5. Tapa de goma
6. Puerto AUX
7. Puerto de salida USB-A
8. Puerto de entrada/salida USB-C
9. Indicador de carga
10. Botón de encendido/apagado
11. Botón Bluetooth
12. Botón de enlace
13. Botón para bajar el volumen
14. Botón para subir el volumen
15. Botón de reproducción/pausa
16. Botón de subir graves

## FUNCIONAMIENTO

### UTILIZACIÓN

Este producto puede utilizarse para los fines indicados a continuación:

- Reproducción de audio desde dispositivos conectados de forma inalámbrica o mediante un cable AUX.

### INSTALACIÓN/RETIRADA DE LA BATERÍA

Utilice únicamente los modelos de baterías y cargadores de EGO indicados en la fig. A2.

Consulte los manuales de las baterías y cargadores correspondientes para obtener más detalles.

### Cargue totalmente la batería antes de usarla por primera vez.

**NOTA:** Un sonido le avisará cuando la carga de la batería esté baja.

### Instalación

Alinee las nervaduras de la batería con las ranuras de montaje, e introduzca la batería presionándola hacia abajo hasta oír un «clic» (fig. B1).

### Retirada

Pulse el botón de liberación de la batería y saque la batería tirando de ella (fig. B2).

**⚠ ADVERTENCIA:** Preste atención siempre a la posición de sus pies, así como a la presencia de niños o mascotas cuando pulse el botón de liberación de la batería. La caída de la batería podría provocar lesiones graves. No quiete NUNCA la batería con la herramienta situada en un lugar elevado.



B1-1	Ranura de montaje	B1-2	Nervadura
B1-3	Botón de liberación de la batería		

### USO DEL ADAPTADOR DE ALIMENTACIÓN DE CA (NO INCLUIDO)

El adaptador de alimentación CA no está incluido en el suministro. Se puede utilizar como adaptador de alimentación un adaptador y un cable de carga que cumplan con el protocolo PD y sean superiores a 60 W.

**NOTA:** Al utilizar solo el adaptador de alimentación de CA, la calidad del sonido y el volumen de la música pueden verse afectados.

Abra la tapa de goma e inserte el enchufe del adaptador de alimentación de CA en el puerto de entrada/salida USB-C en la parte posterior del altavoz. Enchufe el adaptador a una toma de corriente estándar (fig. C1).

Siempre que se conecta el adaptador de alimentación, la batería insertada se carga automáticamente. El pequeño punto de luz sobre el símbolo indicador de carga parpadeará en blanco. Cuando la batería esté completamente cargada, el pequeño punto de luz se encenderá de color blanco fijo. Cuando el punto de luz pequeño se encienda en rojo fijo, significa que la batería está defectuosa (fig. C2).

El adaptador de alimentación de CA debe desconectarse de la toma de corriente cuando no esté en uso.

**NOTA:** La batería y los dispositivos USB como teléfonos móviles, reproductores MP3, etc. conectados al puertos de salida USB-A se pueden cargar cuando el adaptador de alimentación de CA está conectado.

**AVISO:** Cierre siempre la tapa de goma después de cada uso para proteger los puertos del polvo, la suciedad y la humedad.

C1-1	Adaptador de alimentación de CA	C1-2	Puerto de entrada/salida USB-C
C1-3	Tapa de goma	C2-1	Punto pequeño
C2-2	Indicador de carga		

### ENCENDER Y APAGAR EL ALTAVOZ (fig. D)

Pulse brevemente el botón de encendido/apagado. El altavoz se encenderá y la luz del botón de encendido/apagado permanecerá iluminada y un sonido avisará de la conexión.

Para apagar el altavoz, pulse brevemente el botón

encendido/apagado. Un sonido avisará de la desconexión.

**NOTA:** el altavoz se apagará automáticamente después de 20 minutos si no hay reproducción de música o no hay salida de los puertos USB-A o USB-C.

D-1	Botón de encendido/apagado
-----	----------------------------

**ES**

### MODO DE FUNCIONAMIENTO BLUETOOTH® (fig. E)

Después de encender el altavoz, el emparejamiento de Bluetooth® se activará automáticamente, lo que se indica mediante el parpadeo en blanco del botón Bluetooth®.

- Active la función Bluetooth® en el dispositivo a conectar (smartphone o similar) y seleccione «EGO SK1800E» como destino de la conexión Bluetooth® en su dispositivo.
- Un sonido avisará de la conexión y el botón Bluetooth® permanecerá iluminado después de que un dispositivo se haya conectado correctamente.

**NOTA:** Si el altavoz ya se emparejó previamente con el dispositivo deseado, se volverá a conectar automáticamente al mismo dispositivo cuando se encienda.

**NOTA:** Si de repente el altavoz no tiene sonido o reproduce otro sonido multimedia, significa que el segundo dispositivo conectado ha tomado el control del altavoz y ha mostrado un anuncio silencioso o ha reproducido una canción.

El modo de emparejamiento de Bluetooth® solo estará activo durante 3 minutos y se desactivará automáticamente si no hay ningún dispositivo conectado/emparejado.

Pulse brevemente el botón de Bluetooth®. El botón Bluetooth® comenzará a parpadear para indicar que se puede conectar un dispositivo.

Se pueden conectar dos dispositivos al altavoz a través de Bluetooth® al mismo tiempo.

- Después de conectar el primer dispositivo, pulse el botón Bluetooth® hasta que comience a parpadear.
- Una vez que el botón Bluetooth® comience a parpadear, seleccione «EGO SK1800E» en el segundo dispositivo y conéctelo al altavoz. Cuando se haya conectado correctamente, se avisará mediante un mensaje de voz indicando que se ha conectado el segundo dispositivo.

**NOTA:** Si hay un problema de reproducción, reinicie el altavoz.

**Para desconectar el dispositivo Bluetooth®:** Mantenga

pulsado el botón Bluetooth® durante más de 2 segundos o desconecte el altavoz de su dispositivo.

E-1	Botón Bluetooth®
-----	------------------

ES

## PARA CONECTAR VARIAS UNIDADES SK1800E USANDO EL ENLACE (fig. F1, F2)

Se pueden conectar hasta 100 altavoces SK1800E mediante el enlace.

Encienda los altavoces y asegúrese de que uno de ellos esté conectado a un dispositivo a través de Bluetooth.

El altavoz conectado al dispositivo actuará como unidad «anfitriona» y podrá controlar la reproducción (volumen, reproducción/pausa, etc.).

**NOTA:** Una vez que se ajusta el volumen en la unidad «anfitriona», los demás altavoces conectados se ajustarán inmediatamente al mismo nivel de volumen que la unidad «anfitriona».

Mantenga pulsado el botón de enlace durante más de 2 segundos en el altavoz «anfitrión» y el secundario. Cuando el altavoz conectado reproduce la música de la unidad «anfitriona», significa que los dos altavoces se vinculan automáticamente entre sí.

**NOTA:** Si desea conectar un tercer, cuarto o nonagésimo noveno altavoz más tarde, solo tiene que mantener el botón de enlace durante más de 2 segundos en el altavoz o altavoces adicionales.

La distancia entre los dos altavoces conectados no puede superar los 40 metros en campo abierto.

Mantenga pulsado el botón de enlace durante más de 2 segundos en la unidad «anfitriona» o apague brevemente los demás altavoces para desconectar el sistema de enlace.

Además de conectar varios altavoces, con el botón de enlace también se puede controlar la luz pulsante. Pulse el botón de enlace para encender o apagar la luz pulsante. Cuando no esté sonando música, la luz pulsante se atenuará gradualmente hasta apagarse por completo y, a continuación, regresará gradualmente al brillo máximo.

F1-1	Botón de enlace	F2-1	Luz pulsante
------	-----------------	------	--------------

## AJUSTE DEL VOLUMEN (fig. G)

El altavoz tiene 16 niveles de volumen.

- Para bajar el volumen, pulse el botón «←» una vez para disminuir el volumen en un nivel.
- Mantenga pulsado el botón «←» para bajar el volumen gradualmente. Puede dejar de pulsar el botón «←»

cuando el volumen haya alcanzado el volumen que desea.

- Para subir el volumen, pulse el botón «+» una vez para aumentar el volumen en un nivel.
- Mantenga pulsado el botón «+» para subir el volumen gradualmente. Puede dejar de pulsar el botón «+» cuando el volumen haya alcanzado el volumen que desea.

El ajuste de volumen no solo puede ajustar el volumen del altavoz, sino que también puede ajustar el volumen del dispositivo.

**NOTA:** Cuando el volumen esté ajustado al máximo, un sonido indicará que se ha alcanzado el volumen máximo.

G-1	Botón para subir y bajar el volumen
-----	-------------------------------------

## REPRODUCIR/PAUSA (fig. H)

Pulse el botón de reproducción/pausa para iniciar la música o ponerla en pausa.

Pulse el botón de reproducción/pausa dos veces rápidamente para pasar a la siguiente pista/archivo.

H-1	Botón de reproducción/pausa
-----	-----------------------------

## SUBIR GRAVES (fig. I)

- Pulse el botón de subir graves para amplificar los graves. El botón de subir graves permanecerá iluminado para indicar que los graves están amplificados.
- Pulse de nuevo el botón de subir graves para que los graves vuelvan al nivel normal. La luz del botón de subir graves se apagará.

I-1	Botón de subir graves
-----	-----------------------

## MODO DE FUNCIONAMIENTO AUX (fig. J)

Abra la tapa de goma, conecte el cable AUX (no incluido) en el puerto AUX y asegúrese de que esté conectado correctamente.

Conecte la fuente de música externa (reproductor MP3 o similar) al otro extremo del cable AUX.

Encienda la fuente de música externa e inicie la reproducción.

Cuando termine la reproducción, desconecte el cable AUX.

**NOTA:** Las baterías de los dispositivos conectados no se cargan a través de la conexión AUX.

**NOTA:** El dispositivo conectado no se apaga automáticamente al apagar el altavoz.

J-1	Puerto AUX	J-2	Puerto de salida USB-A
J-3	Tapa de goma	J-4	Puerto de entrada/salida USB-C

### PUERTOS DE ALIMENTACIÓN USB (fig. J)

Quando se instala una batería o el altavoz está conectado a un adaptador de alimentación de CA y está encendido, el puerto de salida USB-A y el puerto de entrada/salida USB-C suministrarán energía de carga para dispositivos de bajo consumo, como teléfonos móviles, reproductores de MP3, etc. Desconecte inmediatamente el dispositivo USB después de cargarlo.

**NOTA:** El puerto de salida USB-A no se puede utilizar para la reproducción de audio. La reproducción de audio solo es posible a través de Bluetooth o conexión AUX.

**AVISO:** Cierre siempre la tapa de goma después de cada uso para proteger los puertos del polvo, la suciedad y la humedad.

## MANTENIMIENTO

**⚠ ADVERTENCIA:** Cuando repare el aparato, utilice solo piezas idénticas a las originales. La utilización de otras piezas podría suponer un peligro o causar daños en el producto. Para garantizar la seguridad y fiabilidad de la herramienta, las reparaciones debe realizarlas únicamente un técnico cualificado.

**⚠ ADVERTENCIA:** Para evitar lesiones graves, quite siempre la batería de la herramienta antes de limpiarla o hacer tareas de mantenimiento.

### MANTENIMIENTO GENERAL

Evite utilizar disolventes para limpiar las piezas de plástico. La mayoría de los plásticos podrían dañarse si se limpian con algunos de los tipos de disolventes disponibles en el mercado. Utilice un paño limpio para eliminar la suciedad, polvo, aceite, grasa, etc.

**⚠ ADVERTENCIA:** No permita nunca que las piezas de plástico entren en contacto con líquido de frenos, gasolina, productos derivados del petróleo, aceites penetrantes, etc. Las sustancias químicas podrían dañar, debilitar o destruir el plástico, con el consiguiente riesgo de provocar lesiones graves.

**⚠ ADVERTENCIA:** Para reducir el riesgo de incendio, lesiones personales y daños en el producto debido a un cortocircuito, nunca sumerja la máquina, la batería o el cargador en líquido, ni permita que penetre líquido en su interior. Los líquidos corrosivos o conductores, como el agua de mar, ciertos productos químicos industriales y la lejía o los productos que contienen lejía, etc., pueden provocar un cortocircuito.

### ALMACENAMIENTO

1. Quite la batería del altavoz.
2. Limpie todo el material extraño del altavoz.
3. Guarde el altavoz en un lugar seco y bien ventilado, fuera del alcance de los niños. No guarde el altavoz sobre fertilizantes, gasolina u otros productos químicos ni cerca de ellos.

### PROTECCIÓN DEL MEDIO AMBIENTE



¡No elimine aparatos eléctricos, baterías usadas ni cargadores de baterías junto con los desperdicios domésticos! Lleve este producto a un punto de reciclaje autorizado y deposítelo por separado según corresponda. Las herramientas eléctricas se deben llevar a un punto de reciclaje con fin de proteger el medio ambiente.

## SOLUCIÓN DE PROBLEMAS

ES

PROBLEMA	CAUSA	SOLUCIÓN
El altavoz no funciona.	<ul style="list-style-type: none"><li>■ La batería no está conectada al altavoz</li><li>■ No hay contacto eléctrico entre el altavoz y la batería.</li><li>■ La carga de la batería está agotada.</li><li>■ La batería se ha sobrecalentado.</li></ul>	<ul style="list-style-type: none"><li>■ Instale la batería en el altavoz.</li><li>■ Quite la batería, compruebe los contactos eléctricos y vuelva a instalarla.</li><li>■ Cargue la batería.</li><li>■ Enfríe la batería hasta que su temperatura descienda por debajo de 152 °F (67 °C).</li></ul>
El altavoz no se puede emparejar correctamente con un dispositivo Bluetooth.	<ul style="list-style-type: none"><li>■ Fuera del rango de emparejamiento de Bluetooth.</li></ul>	<ul style="list-style-type: none"><li>■ Acerque el dispositivo al altavoz.</li></ul>

## GARANTÍA

### POLÍTICA DE GARANTÍA DE EGO

Visite la página web [egopowerplus.eu](http://egopowerplus.eu) para conocer los términos y condiciones completos de la política de garantía de EGO.

## LEIA TODAS AS INSTRUÇÕES!



### LEIA O MANUAL DO UTILIZADOR

**AVISO:** Para garantir a segurança e bom funcionamento, todas as reparações deverão ser efetuadas por um técnico de reparação qualificado.

## SÍMBOLOS DE SEGURANÇA

O objetivo dos símbolos de segurança é chamar a atenção para possíveis perigos. Os símbolos de segurança e as explicações apresentadas com eles requerem a sua atenção e compreensão. Os avisos de segurança, só por si não eliminam o perigo. As instruções e avisos dados não são substitutos para medidas de prevenção adequadas a acidentes.

**AVISO:** Certifique-se de que lê e compreende todos os avisos de segurança neste manual do utilizador, incluindo todos os símbolos de alerta de segurança, como “**PERIGO**”, “**AVISO**” e “**CUIDADO**” antes de usar esta máquina. Não seguir todas as instruções apresentadas abaixo pode resultar em choque elétrico, incêndio e/ou ferimentos graves.

## INSTRUÇÕES DE SEGURANÇA

Esta página retrata e descreve os símbolos de segurança que podem aparecer neste produto. Leia, compreenda e siga todas as instruções na máquina antes de tentar montar e utilizar.



Alerta de segurança



De modo a reduzir os riscos de ferimentos, o utilizador deve ler o manual do utilizador.



Bluetooth®



Os produtos elétricos residuais não deverão ser eliminados juntamente com o lixo doméstico comum. Entregue-os num centro de reciclagem autorizado.



Este produto encontra-se em conformidade com as diretivas CE aplicáveis.



Avaliação de conformidade na GB



Corrente direta

W Watt

Hz Hertz

m Metro

V Voltagem

kg Quilograma

°C Celsius

mm Milímetro

## AVISOS GERAIS DE SEGURANÇA DA MÁQUINA

**⚠ AVISO: LEIA TODOS OS AVISOS DE SEGURANÇA, INSTRUÇÕES, ILUSTRAÇÕES E ESPECIFICAÇÕES FORNECIDAS COM ESTA MÁQUINA.** Não seguir todas as instruções apresentadas abaixo pode resultar em choque elétrico, incêndio e/ou ferimentos graves.

PT

### GUARDE TODOS OS AVISOS E INSTRUÇÕES PARA FUTURAS REFERÊNCIAS.

#### SEGURANÇA NA ÁREA DE TRABALHO

- **Mantenha a área de trabalho limpa e bem iluminada.** Áreas desarrumadas ou escuras são propícias a acidentes.
- **Não utilize máquinas em atmosferas explosivas, tal como na presença de líquidos inflamáveis, gasolina ou pó.** As máquinas produzem faíscas que podem atear o pó ou fumos.
- **Mantenha as crianças e pessoas que passem afastadas enquanto utilizar uma máquina.** As distrações podem fazer com que perca o controlo.

#### SEGURANÇA ELÉTRICA

- **A ficha tem de corresponder à tomada. Nunca modifique uma ficha de forma alguma. Não utilize qualquer adaptador com máquinas com ligação à terra.** Fichas não modificadas e tomadas correspondentes reduzirão o risco de choque elétrico.
- **Evite o contacto do corpo com superfícies ligadas à terra, tais como tubos, radiadores, bases e frigoríficos.** Existe um risco acrescido de choque elétrico se o seu corpo estiver ligado à terra.
- **Não force o fio da alimentação. Nunca utilize o fio para transportar, puxar ou desligar a máquina. Mantenha o fio afastado do calor, óleo, arestas afiadas ou peças móveis.** Fios danificados ou presos aumentam o risco de choque elétrico.
- **Quando estiver a utilizar a coluna de som no exterior, utilize uma extensão adequada para a utilização no exterior.** A utilização de um fio adequado ao exterior reduz o risco de choque elétrico.
- **Se for inevitável trabalhar com a máquina num local húmido, use um Interruptor de Circuito de Falha de Ligação à Terra (ICFLT).** A utilização de um ICFLT reduz o risco de choque elétrico.

#### SEGURANÇA PESSOAL

- **Mantenha-se alerta, observe o que está a fazer e**

**use senso comum quando estiver a trabalhar com uma máquina. Não utilize a máquina enquanto estiver cansado ou sob o efeito de drogas, álcool ou medicação.** Um momento de falta de atenção enquanto utiliza a máquina pode dar origem a ferimentos sérios.

#### UTILIZAÇÃO E CUIDADOS COM A MÁQUINA

- **Mantenha as pegas e superfícies de prensão secas, limpas e sem óleo ou gordura.** Pegas e superfícies de prensão escorregadias não permitem o manuseamento seguro nem o controlo da máquina em situações inesperadas.

#### UTILIZAÇÃO E CUIDADOS DA MÁQUINA A BATERIA

- **Recarregue apenas com o carregador especificado pelo fabricante.** Um carregador que seja adequado a um tipo de bateria pode criar um risco de incêndio quando usado com outra bateria.
- **Utilize máquinas apenas com as baterias especificamente designadas.** A utilização de outras baterias pode criar um risco de ferimentos e incêndio.
- **Quando não usar a bateria, mantenha-a afastada de outros objetos de metal, como cliques de papel, moedas, chaves, pregos, parafusos ou outros pequenos objetos de metal que possam fazer a ligação entre os dois terminais.** Colocar os terminais da bateria em curto-circuito pode dar origem a queimaduras ou fogo.
- **Sob condições abusivas, pode ser ejetado líquido da bateria; evite o contacto. Se ocorrer um contacto accidental, lave com água abundante. Se o líquido entrar em contacto com os olhos, procure ajuda médica.** O líquido ejetado da bateria pode provocar irritação ou queimaduras.
- **Não use a bateria nem a máquina se estiverem danificadas ou modificadas.** Baterias danificadas ou modificadas podem apresentar comportamentos imprevisíveis, dando origem a fogo, explosão ou risco de ferimentos.
- **Não exponha a bateria ou a máquina ao fogo ou temperatura excessiva.** A exposição ao fogo ou a temperaturas acima dos 130 °C pode causar uma explosão.
- **Siga todas as instruções de carregamento e não carregue a bateria nem a máquina a uma temperatura fora dos parâmetros especificados nas instruções.** Carregar incorretamente ou a temperaturas fora dos parâmetros especificados pode danificar a bateria e aumentar o risco de fogo.

## REPARAÇÃO

- **A reparação da sua máquina deverá ser sempre efetuada por pessoas qualificadas, utilizando apenas peças sobresselentes idênticas.** Tal irá assegurar que a segurança da máquina é mantida.
- **Nunca tente reparar uma bateria danificada.** A reparação das baterias só deverá ser efetuada pelo fabricante ou por um reparador autorizado.

## AVISOS DE SEGURANÇA PARA A COLUNA DE SOM BLUETOOTH DE EXTERIOR

- **Para reduzir o risco de fogo ou choque elétrico, não exponha este aparelho à chuva ou humidade. Utilize apenas em locais secos.**
- **Utilize este aparelho apenas numa área bem ventilada.**
- **Leia estas instruções.**
- **Siga todos os avisos.**
- **Siga todas as instruções.**
- **Não utilize este aparelho perto da água.**
- **Limpe apenas com um pano seco.**
- **Não bloqueie quaisquer aberturas de ventilação.** Instale de acordo com as instruções do fabricante.
- **Não instale perto de fontes de calor, como radiadores, registadores de calor, fornos ou outros aparelhos (incluindo amplificadores) que produzam calor.**
- **Use apenas acessórios especificados pelo fabricante.**
- **Use apenas com o carrinho, suporte, tripé ou mesa especificada pelo fabricante, ou vendida com o aparelho. Quando usar um carrinho, tenha cuidado quando mover o carrinho/aparelho, para evitar ferimentos devido a quedas.**
- **Consulte pessoal qualificado para proceder a qualquer reparação.** São necessárias reparações quando o aparelho tiver sido danificado de alguma forma, tal como o fio da alimentação ou a ficha estiverem estragados, se derramarem líquidos ou caírem objetos no aparelho, o aparelho ter sido exposto à chuva ou humidade, não funcionar normalmente, ou tiver caído. Reparação ou manutenção executada por pessoal sem qualificação pode resultar num risco de ferimentos.
- **Um aparelho que funcione com baterias integrais ou amovíveis deverá ser recarregado apenas com o carregador especificado para a bateria.** Um carregador que seja adequado a um tipo de bateria pode criar um risco de incêndio quando usado com outra bateria.
- **Nunca desmonte o aparelho nem tente alterar a cablagem no sistema elétrico do aparelho.**
- **Efetue a manutenção do aparelho. Verifique desalinhamentos, quebra de peças e quaisquer outras condições que possam afetar o funcionamento do aparelho. Se estiver danificado, leve o aparelho para ser reparado antes da utilização. Use o aparelho de acordo com estas instruções, tendo em conta as condições de trabalho e o trabalho a ser efetuado.** A utilização do aparelho para operações diferentes das pretendidas pode resultar numa situação perigosa.
- **Mantenha o aparelho afastado de outros objetos de metal, como cliques de papel, moedas, chaves, pregos, parafusos ou outros pequenos objetos de metal que possam fazer a ligação entre os dois terminais.** Colocar os terminais em curto-circuito pode dar origem a queimaduras ou fogo.
- **Não use o aparelho se tiver caído no chão ou tiver sofrido uma pancada forte.** Um aparelho danificado aumenta o risco de fogo.
- **Elimine imediatamente uma bateria gasta.** Mantenha afastado das crianças. Não desmonte nem atire para o fogo.
- **Utilize apenas com as baterias e carregadores especificados.**

**Guarde estas instruções.** Consulte com frequência e use estas instruções para instruir outras pessoas sobre a forma de utilizar esta máquina. Se emprestar a alguém esta máquina, entregue também estas instruções para evitar a uma má utilização do produto e possíveis ferimentos.

## CARACTERÍSTICAS TÉCNICAS

PT

Voltagem	56V
Voltagem do adaptador da alimentação AC	100-240 V~, 50/60 Hz
Potência de saída	180W
Saída de potência do amplificador	Woofers: 80W x1
	Tweeter: 10W x2
	Médio: 40W x2
Porta AUX	3,5 mm
Saída USB-A	5V, 2 A
Entrada e saída USB-C	DC 5V 3A / DC 9V 3A / DC 12V 3A / DC 15V 3A / DC 20V 5A
Alcance do Bluetooth®	> 55 m
Peso (sem a bateria)	7,7 kg
Temperatura de funcionamento recomendada	-15 °C - 40 °C
Temperatura de armazenamento recomendada	-20 °C - 70 °C
Taxa de proteção de entrada	IP54* (Proteção contra o pó e salpicos de água)

\* **NOTA:** A classificação IP54 baseia-se no aparelho.

## LISTA DE PEÇAS (IMAGEM A1)

### DESCRIÇÃO

#### CONHEÇA A SUA COLUNA DE SOM BLUETOOTH DE EXTERIOR (Imagem A1)

1. Pega
2. Painel de controlo
3. Botão de libertação da bateria
4. Luz de aviso
5. Cobertura de borracha

6. Porta AUX
7. Porta de saída USB-A
8. Porta de entrada e saída USB-C
9. Indicador de carregamento
10. Botão de ligar/desligar
11. Botão do Bluetooth
12. Botão do link
13. Botão de diminuir o volume
14. Botão de aumentar o volume
15. Botão de reprodução/pausa
16. Botão de aumentar os graves

## FUNCIONAMENTO

### APLICAÇÃO

Pode utilizar este produto com os intuitos listados abaixo:

- Reprodução de áudio de dispositivos conectados sem fios ou através do cabo AUX.

### FIXAR/RETIRAR A BATERIA

Utilize apenas com as baterias e carregadores da EGO listados na Imagem A2.

Consulte os manuais da bateria e do carregador para obter mais detalhes.

### Carregue por completo antes da primeira utilização.

**NOTA:** Um som irá avisá-lo quando a carga da bateria estiver fraca.

### Para fixar

Alinhe as abas da bateria com as ranhuras de fixação e pressione a bateria para baixo até ouvir um "clique" (Imagem B1).

### Para libertar

Prima o botão de libertação da bateria e puxe a bateria para fora (Imagem B2).

**AVISO:** Certifique-se sempre da localização dos seus pés, de crianças ou animais quando pressionar o botão de libertação da bateria. Se a bateria cair, podem ocorrer ferimentos sérios. **NUNCA** retire a bateria num local elevado.

B1-1	Ranhura de fixação	B1-2	Aba
B1-3	Botão de libertação da bateria		



## USAR O ADAPTADOR DA ALIMENTAÇÃO AC (NÃO INCLUIDO)

O adaptador da alimentação AC não está incluído. O adaptador e o cabo de carregamento em conformidade com o protocolo PD e superior a 60W pode ser usado como adaptador da alimentação.

**NOTA:** Quando usar o adaptador da alimentação AC sozinho, a qualidade de som e o volume da música podem ser afetados.

Abra a cobertura de borracha e insira a ficha do adaptador da alimentação AC na porta de entrada e saída USB-C na parte traseira da coluna de som. Ligue o adaptador numa tomada padrão (Imagem C1).

Sempre que o adaptador da alimentação estiver ligado, a bateria inserida será carregada automaticamente. A pequena luz acima do símbolo do indicador de carregamento pisca a branco. Quando a bateria estiver completamente carregada, a pequena luz permanece ligada a branco. Quando a pequena luz acender a vermelho, significa que a bateria está danificada (Imagem C2).

O adaptador da alimentação deverá ser desligado da tomada quando não estiver a ser usado.

**NOTA:** A bateria e dispositivos USB, como telemóveis, leitores de MP3, etc., ligados à porta de saída USB-A podem ser carregados quando o adaptador da alimentação AC estiver ligado.

**AVISO:** Feche sempre a cobertura de borracha após cada utilização para proteger as portas do pó, sujidade e humidade.

C1-1	Adaptador da alimentação AC	C1-2	Porta de entrada e saída USB-C
C1-3	Cobertura de borracha	C2-1	Pequena luz
C2-2	Indicador de carregamento		

## LIGAR E DESLIGAR A COLUNA DE SOM (Imagem D)

Prima brevemente o botão de ligar/desligar. A coluna de som liga-se e a luz do botão de ligar/desligar permanece ligada. Um som indica a conexão.

Para desligar a coluna de som, prima brevemente o botão de ligar/desligar. Um som indica a desconexão.

**NOTA:** A coluna de som desliga-se automaticamente passados 20 minutos se não for reproduzida qualquer

música ou não houver qualquer saída das portas USB-A e USB-C.

D-1	Botão de ligar/desligar
-----	-------------------------

## MODO DE FUNCIONAMENTO POR BLUETOOTH® (Imagem E)

Após ligar a coluna de som, o emparelhamento por Bluetooth® é efetuado automaticamente e indicado pelo botão de Bluetooth® a piscar a branco.

- Ative a função de Bluetooth® no dispositivo a ser conectado (Smartphone ou dispositivo semelhante) e seleccione “EGO SK1800E” como alvo da conexão por Bluetooth® no seu dispositivo.
- Um som de aviso indica a conexão e o botão do Bluetooth® permanece ligado após o dispositivo ser conectado com sucesso.

**NOTA:** Se já tiver emparelhado anteriormente o dispositivo desejado, a coluna de som efetua novamente a conexão de forma automática ao mesmo dispositivo quando ligar a coluna de som.

**NOTA:** Se a coluna de som deixar de repente de ter som ou reproduzir outros sons, significa que o segundo dispositivo conectado controla a coluna de som.

O modo de emparelhamento por Bluetooth® só estará ativo durante 3 minutos e desliga-se automaticamente se não for conectado/emparelhado qualquer dispositivo.

Prima brevemente o botão do Bluetooth®. O botão do Bluetooth® começa a piscar, a indicar que pode conectar um dispositivo.

Pode conectar em simultâneo dois dispositivos à coluna de som por Bluetooth®.

- Após o primeiro dispositivo ser conectado, prima o botão do Bluetooth® até começar a piscar.
- Quando o botão do Bluetooth® começar a piscar, seleccione “EGO SK1800E” no segundo dispositivo e conecte-o à coluna de som. Após a conexão ser efetuada com sucesso, haverá uma voz de aviso a indicar que o segundo dispositivo foi conectado.

**NOTA:** Se houver um problema de reprodução, reinicie a coluna de som.

**Desconectar o dispositivo Bluetooth®:** Prima e mantenha premido o botão do Bluetooth® durante mais de 2 segundos, ou desconecte a coluna de som no seu dispositivo.

E-1	Botão do Bluetooth®
-----	---------------------

## CONECTAR VÁRIAS UNIDADES SK1800E USANDO O LINK (Imagem F1, F2)

Pode conectar até 100 colunas de som SK1800E usando o link.

Ligue as colunas de som e certifique-se de que uma das colunas de som está conectada a um dispositivo por Bluetooth.

A coluna de som conectada ao dispositivo age como "anfitriã" e pode controlar a reprodução (volume, reprodução/pausa, etc.).

**NOTA:** Quando o volume for ajustado na unidade "anfitriã", outras colunas de som conectadas ajustam imediatamente o volume para o mesmo nível que a unidade "anfitriã".

Prima e mantenha premido o botão do link durante mais de 2 segundos na coluna de som "anfitriã" e na coluna de som secundária. Quando a coluna de som conectada reproduzir a música da unidade "anfitriã", significa que as duas colunas de som estão ligadas automaticamente uma à outra.

**NOTA:** Se desejar conectar-se a uma terceira, quarta... nonagésima nona coluna de som mais tarde, só precisa de premir e manter premido o botão do link durante mais de 2 segundos nas colunas de som adicionais.

A distância entre as duas colunas de som ligadas não pode exceder os 40 metros numa área aberta.

Prima e mantenha premido o botão do link durante mais de 2 segundos na unidade "anfitriã", ou prima brevemente para desligar as outras colunas de som para desligar o sistema de link.

Para além de conectar várias colunas de som, o botão do link também controla a luz pulsante. Prima o botão de link para ligar ou desligar a luz pulsante. Quando não houver qualquer música a ser reproduzida, a luz pulsante diminui gradualmente até se desligar por completo. Depois, volta gradualmente à luminosidade máxima.

F1-1	Botão do link	F2-1	Luz de aviso
------	---------------	------	--------------

## DEFINIR O VOLUME (Imagem G)

A coluna de som possui 16 níveis de volume.

- Para reduzir o volume, prima uma vez o botão "-" para diminuir o volume um nível.
- Prima e mantenha premido o botão "-" para reduzir o volume gradualmente. Pode parar de premir o botão "-" quando o volume atingir o valor desejado.
- Para aumentar o volume, prima uma vez o botão "+" para aumentar o volume um nível.

- Prima e mantenha premido o botão "+" para aumentar o volume gradualmente. Pode parar de premir o botão "+" quando o volume atingir o valor desejado.

O ajuste do volume pode ajustar o volume da coluna de som e também o volume do dispositivo.

**NOTA:** Quando o volume for ajustado para o máximo, um som avisa que atingiu o volume máximo.

G-1	Botão de aumentar e diminuir o volume
-----	---------------------------------------

## REPRODUÇÃO / PAUSA (Imagem H)

Prima o botão de reprodução/pausa para iniciar ou pausar a música.

Prima rapidamente o botão de reprodução/pausa duas vezes para passar para a faixa/ficheiro seguinte.

H-1	Botão de reprodução/pausa
-----	---------------------------

## AUMENTAR OS GRAVES (Imagem I)

- Prima o botão de aumentar os graves para os aumentar. O botão de aumentar os graves permanece iluminado, indicando que os graves foram aumentados.
- Prima de novo o botão de aumentar os graves para voltar a colocar os graves no nível normal. A luz do botão de aumentar os graves desliga-se.

I-1	Botão de aumentar os graves
-----	-----------------------------

## MODO DE FUNCIONAMENTO AUXILIAR (Imagem J)

Abra a cobertura de borracha, insira o cabo auxiliar (não incluído) na porta AUX e certifique-se de que fica bem ligado.

Ligue a fonte de música externa (leitor de MP3 ou semelhante) na outra extremidade do cabo auxiliar.

Ligue a coluna de som e inicie a reprodução.

Quando terminar a reprodução, desligue o cabo auxiliar.

**NOTA:** As baterias dos dispositivos conectados não podem ser carregadas através da ligação AUX.

**NOTA:** Quando a coluna de som for desligada, o dispositivo conectado não é desligado automaticamente.

J-1	Porta AUX	J-2	Porta de saída USB-A
J-3	Cobertura de borracha	J-4	Porta de entrada e saída USB-C

### PORTAS DE ALIMENTAÇÃO USB (Imagem J)

Quando uma bateria for instalada, ou a coluna de som for ligada a um adaptador da alimentação AC e a coluna de som for ligada, a porta de saída USB-A e a porta de entrada e saída USB-C alimentam dispositivos que necessitem de pouca energia, como telemóveis, leitores de MP3, etc. Desligue imediatamente o dispositivo USB após o carregamento.

**NOTA:** A porta de saída USB-A não pode ser usada para a reprodução de áudio. A reprodução de áudio só é possível através de Bluetooth ou ligação AUX.

**AVISO:** Feche sempre a cobertura de borracha após cada utilização para proteger as portas do pó, sujidade e humidade.

### MANUTENÇÃO

**AVISO:** Quando fizer reparações, utilize apenas peças sobresselentes idênticas. A utilização de outras peças pode constituir um perigo ou provocar danos no produto. Para garantir a segurança e bom funcionamento, todas as reparações deverão ser efetuadas por um técnico de reparação qualificado.

**AVISO:** Para evitar ferimentos sérios, retire sempre a bateria do produto quando limpar ou efetuar qualquer manutenção.

### MANUTENÇÃO GERAL

Evite usar solventes quando limpar peças de plástico. Grande parte dos plásticos é suscetível a danos devido a vários tipos de solventes comerciais. Utilize panos limpos para retirar a sujidade, pó, óleo, gordura, etc.

**AVISO:** Nunca permita que o líquido dos travões, gasolina, produtos à base de petróleo, óleos penetrantes, etc., entrem em contacto com as peças de plástico. Os químicos podem danificar, enfraquecer ou destruir o plástico o que pode dar origem a ferimentos sérios.

**AVISO:** Para reduzir o risco de fogo, ferimentos e danos no produto devido a um curto-circuito, nunca coloque a máquina, bateria ou carregador dentro de líquidos, nem permita que um líquido entre no produto. Líquidos corrosivos ou condutores, como água do mar, alguns químicos industriais e lixívia ou produtos com lixívia podem causar um curto-circuito.

### ARMAZENAMENTO

1. Retire a bateria da coluna de som.
2. Limpe todo o material estranho da coluna de som.
3. Guarde a coluna de som num local seco e bem ventilado, fora do alcance das crianças. Não guarde a coluna de som em cima ou perto de fertilizantes, gasolina ou outros químicos.

### PROTEJA O AMBIENTE



Não elimine equipamento elétrico, bateria gasta nem carregador juntamente com o lixo doméstico comum! Leve este produto a um centro de reciclagem autorizado para que possa haver uma separação das peças. As ferramentas elétricas têm de ser devolvidas em instalações de reciclagem ambientalmente compatíveis.

PT

**RESOLUÇÃO DE PROBLEMAS****PT**

PROBLEMA	CAUSA	SOLUÇÃO
A coluna de som não funciona.	<ul style="list-style-type: none"><li>■ A bateria não foi colocada na coluna de som.</li><li>■ Não existe contacto elétrico entre a coluna de som e a bateria.</li><li>■ A bateria está gasta.</li><li>■ A bateria está demasiado quente.</li></ul>	<ul style="list-style-type: none"><li>■ Fixe a bateria na coluna de som.</li><li>■ Retire a bateria, verifique os contactos e volte a instalar a bateria.</li><li>■ Carregue a bateria.</li><li>■ Deixe a bateria arrefecer até que a temperatura atinja menos de 67 °C.</li></ul>
A coluna de som não pode ser devidamente emparelhada a um dispositivo Bluetooth.	<ul style="list-style-type: none"><li>■ Fora do alcance de emparelhamento por Bluetooth.</li></ul>	<ul style="list-style-type: none"><li>■ Aproxime o seu dispositivo da coluna de som.</li></ul>

**GARANTIA****POLÍTICA DE GARANTIA EGO**

Visite o website [egopowerplus.eu](http://egopowerplus.eu) para os termos e condições completos da política de garantia da EGO.

## LEGGERE TUTTE LE ISTRUZIONI!



**LEGGERE IL MANUALE DI ISTRUZIONI.**

**⚠ AVVERTENZA!** Per garantire sicurezza e affidabilità, tutte le operazioni di riparazione e sostituzione devono essere effettuate da un tecnico qualificato.

## SIMBOLI DI SICUREZZA

Lo scopo dei simboli di sicurezza è attirare l'attenzione dell'operatore su possibili pericoli. I simboli di sicurezza e le relative spiegazioni richiedono la massima attenzione e comprensione da parte dell'operatore. Le avvertenze espresse dai simboli, da sole, non eliminano tutti i rischi. Le istruzioni e le avvertenze non sostituiscono le adeguate misure di prevenzione contro gli incidenti.

**⚠ AVVERTENZA!** Accertarsi di aver letto e compreso tutte le istruzioni di sicurezza in questo manuale, inclusi tutti i simboli di avvertenza come "**PERICOLO**", "**AVVERTENZA**" e "**ATTENZIONE**", prima di usare l'apparecchio. Il mancato rispetto di tutte le istruzioni elencate di seguito comporta il rischio di scossa elettrica, incendio e/o lesioni gravi.

## AVVERTENZE DI SICUREZZA

Questa pagina illustra e descrive i simboli di sicurezza che possono essere presenti sul prodotto. Leggere, comprendere e seguire tutte le istruzioni sull'apparecchio prima di tentare di assemblarlo e ripararlo.



Avvertenza di sicurezza



Bluetooth®



Questo prodotto è conforme alle direttive europee applicabili.



Corrente continua

Hz Hertz

V Tensione

°C Grado Celsius



Per ridurre il rischio di infortuni, leggere il manuale di istruzioni.



Gli apparecchi elettrici non devono essere smaltiti insieme ai rifiuti domestici. Portarli presso un centro di raccolta autorizzato.



Conformità ai requisiti del Regno Unito

W Watt

m Metro

kg Chilogrammo

mm Millimetro

IT

## AVVERTENZE DI SICUREZZA GENERICHE

**⚠ AVVERTENZA! CONSULTARE TUTTE LE AVVERTENZE DI SICUREZZA, LE ISTRUZIONI, LE ILLUSTRAZIONI E LE SPECIFICHE FORNITE INSIEME A QUESTO APPARECCHIO.** Il mancato rispetto delle istruzioni sotto riportate comporta il rischio di scossa elettrica, incendio e/o gravi infortuni.

IT

### CONSERVARE TUTTE LE AVVERTENZE E LE ISTRUZIONI PER FUTURO RIFERIMENTO.

#### SICUREZZA DELL'AREA DI LAVORO

- **Mantenere l'area di lavoro pulita e ben illuminata.** Il disordine e la scarsa illuminazione favoriscono gli incidenti.
- **Non usare gli apparecchi elettrici in atmosfere esplosive, ad esempio in presenza di liquidi infiammabili, benzina o polveri.** Gli apparecchi elettrici creano scintille che possono incendiare polveri o fumi.
- **Durante l'uso di un apparecchio elettrico, tenere a distanza i bambini e le persone presenti.** Le distrazioni possono causare la perdita di controllo del prodotto.

#### SICUREZZA ELETTRICA

- **Le spine degli apparecchi elettrici devono essere adatte al tipo di presa. Non modificare la spina in alcun modo. Non usare adattatori con gli apparecchi elettrici dotati di messa a terra (collegati a massa).** L'uso di spine originali corrispondenti al tipo di presa riduce il rischio di scossa elettrica.
- **Evitare il contatto del corpo con superfici collegate a terra come tubi, radiatori, fornelli elettrici e frigoriferi.** Il rischio di scossa elettrica aumenta se il proprio corpo è collegato a terra.
- **Non utilizzare il cavo in modo improprio. Non utilizzare il cavo per trasportare, spostare o scollegare l'apparecchio elettrico. Tenere il cavo al riparo da calore, olio, bordi taglienti o parti in movimento.** La presenza di cavi danneggiati o aggrovigliati aumenta il rischio di scossa elettrica.
- **Durante l'uso di un altoparlante all'aperto, utilizzare una prolunga idonea per ambienti esterni.** L'uso di un cavo idoneo riduce il rischio di scossa elettrica.
- **Se è necessario lavorare in un luogo umido, utilizzare un circuito elettrico dotato di interruttore differenziale (RCD).** L'uso di un interruttore

differenziale (RCD) riduce il rischio di scossa elettrica.

#### SICUREZZA PERSONALE

- **Durante l'uso di un apparecchio elettrico, prestare sempre la massima attenzione e utilizzare il buon senso. Non usare gli apparecchi elettrici se si è stanchi o sotto l'effetto di droghe, alcol o farmaci.** Anche un solo momento di disattenzione durante l'uso di un apparecchio elettrico comporta il rischio di lesioni gravi.

#### USO E MANUTENZIONE DEGLI APPARECCHI ELETTRICI

- **Mantenere le impugnature e le superfici di presa asciutte, pulite e prive di olio o grasso.** Impugnature e superfici di presa scivolose non garantiscono l'uso sicuro e il controllo dell'apparecchio elettrico in situazioni impreviste.

#### USO E MANUTENZIONE DELLA BATTERIA

- **Ricaricare la batteria esclusivamente con il caricabatteria specificato dal costruttore.** Un caricabatteria adatto a un certo tipo di gruppo batteria comporta il rischio di incendio se utilizzato con gruppi batteria di tipo diverso.
- **Usare esclusivamente gruppi batteria progettati specificamente per questo apparecchio elettrico.** L'uso di altri gruppi batteria comporta il rischio di incendio e lesioni.
- **Quando il gruppo batteria non è in uso, tenerlo lontano da piccoli oggetti metallici, ad esempio graffette, monete, chiavi, chiodi, viti ecc. poiché potrebbero creare un collegamento tra i due terminali.** Il cortocircuito dei terminali della batteria comporta il rischio di incendio o ustioni.
- **L'uso improprio può causare fuoriuscite di liquido dalla batteria: evitare il contatto con tale liquido. In caso di contatto accidentale, lavare l'area interessata con acqua. Se il liquido entra a contatto con gli occhi, consultare un medico.** Il liquido fuoriuscito dalla batteria può causare irritazioni o ustioni.
- **Non usare gruppi batteria o apparecchi elettrici danneggiati o modificati.** Le batterie danneggiate o modificate possono manifestare comportamenti imprevisti, con il rischio di incendio, esplosione o infortunio.
- **Non esporre il gruppo batteria o l'apparecchio elettrico a fiamme o temperature eccessive.** L'esposizione a fiamme o temperature superiori a 130°C comporta il rischio di esplosione.

- **Rispettare tutte le istruzioni relative alla ricarica e non ricaricare il gruppo batteria o l'apparecchio elettrico a temperature diverse da quelle specificate nelle istruzioni.** Una ricarica eseguita in modo improprio o a temperature diverse da quelle specificate può danneggiare la batteria e aumentare il rischio di incendio.

## RIPARAZIONI

- **Affidare la riparazione dell'apparecchio elettrico a personale qualificato e utilizzare esclusivamente parti di ricambio identiche.** Ciò garantisce la sicurezza dell'apparecchio elettrico.
- **Non riparare gruppi batteria danneggiati.** La riparazione dei gruppi batteria deve essere effettuata esclusivamente dal costruttore o da un centro di assistenza autorizzato.

## AVVERTENZE DI SICUREZZA SPECIFICHE PER ALTOPARLANTI BLUETOOTH DA ESTERNI

- **Per ridurre il rischio di incendio o scossa elettrica, non esporre l'apparecchio a pioggia o umidità. Usarlo esclusivamente in ambienti asciutti.**
- **Usare l'apparecchio esclusivamente in aree ben ventilate.**
- **Leggere queste istruzioni.**
- **Rispettare tutte le avvertenze.**
- **Rispettare tutte le istruzioni.**
- **Non usare l'apparecchio in prossimità di acqua.**
- **Pulire l'apparecchio esclusivamente con un panno asciutto.**
- **Non ostruire le aperture di ventilazione.** Installare l'apparecchio rispettando le istruzioni del costruttore.
- **Posizionare l'apparecchio lontano da fonti di calore come radiatori, termosifoni, stufe o altri prodotti (inclusi amplificatori) che producono calore.**
- **Utilizzare esclusivamente gli accessori raccomandati dal costruttore.**
- **Usare esclusivamente carrelli, supporti, treppiedi, staffe o tavoli raccomandati dal costruttore o venduti insieme all'apparecchio. Se l'apparecchio è posizionato su un carrello, prestare attenzione durante lo spostamento per evitare il rischio di ribaltamento e lesioni.**
- **Affidare qualsiasi riparazione a personale qualificato.** È necessario riparare l'apparecchio se ha subito danni di qualsiasi tipo e in caso di danni al cavo di alimentazione o alla spina, fuoriuscite di liquidi sull'apparecchio o caduta di oggetti al suo interno, esposizione a pioggia o umidità, malfunzionamento

o caduta accidentale. Le operazioni di riparazione o manutenzione effettuate da persone non qualificate comportano il rischio di infortuni.

- **Gli apparecchi alimentati tramite batteria integrata o removibile devono essere ricaricati esclusivamente con il caricabatteria specificato.** Un caricabatteria adatto a un certo tipo di batteria comporta il rischio di incendio se utilizzato con batterie di tipo diverso.
- **Non disassemblare l'apparecchio e non tentare di modificare il cablaggio dell'impianto elettrico dell'apparecchio.**
- **Mantenere l'apparecchio in buone condizioni. Verificare che i componenti non siano disallineati o danneggiati e che non siano presenti altre condizioni che potrebbero pregiudicare il corretto funzionamento dell'apparecchio. Se l'apparecchio è danneggiato, farlo riparare prima di usarlo nuovamente. Usare l'apparecchio conformemente a queste istruzioni, tenendo conto delle condizioni dell'area di lavoro e del tipo di lavoro da svolgere.** L'uso di un apparecchio o per operazioni diverse da quelle per cui è progettato può comportare situazioni di pericolo.
- **Tenere l'apparecchio lontano da piccoli oggetti metallici, ad esempio graffette, monete, chiavi, chiodi, viti ecc. perché potrebbero creare un collegamento tra i terminali elettrici.** Il cortocircuito dei terminali comporta il rischio di incendio o ustioni.
- **Non usare l'apparecchio se ha subito una caduta o un forte urto.** Gli apparecchi danneggiati aumentano il rischio di incendio.
- **Smaltire tempestivamente le batterie usate. Tenerle fuori dalla portata dei bambini. Non disassemblarle e non bruciarle.**
- **Usare esclusivamente i gruppi batteria e i caricabatteria specificati.**

**Conservare queste istruzioni.** Consultarle frequentemente e usarle per istruire gli altri operatori dell'apparecchio. In caso di cessione dell'apparecchio a terzi, allegare anche queste istruzioni per evitare l'uso scorretto e il rischio di lesioni.

## SPECIFICHE TECNICHE

Tensione	56 V
Tensione dell'adattatore di corrente CA	100-240 V~ 50/60 Hz
Potenza in uscita	180 W
Potenza in uscita dell'amplificatore	Woofers: 80 W x1
	Tweeter: 10 W x2
	Mid: 40 W x 2
Presse AUX	3,5 mm
Uscita USB-A	5 V 2 A
Ingresso/uscita USB-C	CC 5 V 3 A / CC 9 V 3 A / CC 12 V 3 A / CC 15 V 3 A / CC 20 V 5 A
Portata Bluetooth®	> 55 m
Peso (senza gruppo batteria)	7,7 kg
Temperatura di funzionamento raccomandata	Da -15°C a 40°C
Temperatura di conservazione raccomandata	Da -20°C a 70°C
Grado di protezione	IP54* (Resistente agli spruzzi e alla polvere)

\* **NOTA:** il grado di protezione IP54 dipende dall'apparecchio.

## CONTENUTO DELL'IMBALLAGGIO (FIG. A1)

## DESCRIZIONE

### COMPONENTI DELL'ALTOPARLANTE BLUETOOTH DA ESTERNI (Fig. A1)

1. Impugnatura
2. Pannello di controllo
3. Pulsante di rilascio della batteria
4. Luce dinamica

5. Copertura in gomma
6. Presa AUX
7. Porta di uscita USB-A
8. Porta di ingresso/uscita USB-C
9. Indicatore di carica
10. Pulsante di accensione/spegnimento
11. Pulsante Bluetooth
12. Pulsante Link
13. Pulsante di riduzione del volume
14. Pulsante di aumento del volume
15. Pulsante di riproduzione/pausa
16. Pulsante di aumento dei bassi

## UTILIZZO

### DESTINAZIONE D'USO

Questo prodotto può essere usato per gli scopi elencati di seguito.

- Riproduzione di audio da dispositivi wireless o collegati con cavo AUX.

### INSTALLAZIONE/RIMOZIONE DEL GRUPPO BATTERIA

Usare il prodotto esclusivamente con i gruppi batteria e caricabatteria EGO elencati in Fig. A2.

Consultare il manuale dei gruppi batteria e del caricabatteria per le istruzioni dettagliate.

### Ricaricare completamente la batteria prima del primo utilizzo.

**NOTA:** quando il livello di carica del gruppo batteria è basso verrà emesso un segnale acustico.

### Installazione

Allineare i rilievi sul gruppo batteria con le scanalature di fissaggio e premere il gruppo batteria fino al "clic" (Fig. B1).

### Rimozione

Premere il pulsante di rilascio della batteria ed estrarre il gruppo batteria (Fig. B2).

**AVVERTENZA!** Prestare attenzione ai propri piedi e all'eventuale presenza di bambini o animali attorno a sé durante la pressione del pulsante di rilascio della batteria. La caduta della batteria comporta il rischio di lesioni gravi. **NON** rimuovere la batteria quando si è in posizione sopraelevata.



B1-1	Scanalatura di fissaggio	B1-2	Rilievo
B1-3	Pulsante di rilascio della batteria		

### UTILIZZO DI UN ADATTATORE DI CORRENTE CA (NON INCLUSO)

L'apparecchio non include un adattatore di corrente CA. È possibile usare adattatori di corrente e cavi di ricarica compatibili con il protocollo PD e di potenza superiore a 60 W.

**NOTA:** l'uso di un adattatore di corrente CA può influire sul volume e sulla qualità del suono della musica.

Aprire la copertura in gomma e collegare il cavo dell'adattatore di corrente CA alla porta di ingresso/uscita USB-C situata sul retro dell'altoparlante. Collegare l'adattatore a una presa di corrente standard (Fig. C1).

Quando l'adattatore di corrente è collegato, il gruppo batteria inserito nell'apparecchio verrà ricaricato automaticamente. Il puntino luminoso sopra l'indicatore di carica lampeggerà di bianco. Quando il gruppo batteria è completamente carico, il puntino luminoso rimarrà acceso di bianco. Quando il puntino luminoso è acceso di rosso, il gruppo batteria è difettoso (Fig. C2).

Scollegare il cavo di alimentazione CA dalla presa di corrente quando non è in uso.

**NOTA:** quando è collegato all'adattatore di corrente CA, l'apparecchio può ricaricare il gruppo batteria inserito e dispositivi USB come smartphone, lettori MP3 e similari tramite la porta di uscita USB-A.

**ATTENZIONE!** Chiudere la copertura in gomma dopo ogni utilizzo per evitare l'infiltrazione di polvere, sporcizia e umidità nelle prese.

C1-1	Adattatore di corrente CA	C1-2	Porta di ingresso/uscita USB-C
C1-3	Copertura in gomma	C2-1	Puntino luminoso
C2-2	Indicatore di carica		

### ACCENSIONE E SPEGNIMENTO DELL'ALTOPARLANTE (Fig. D)

Premere brevemente il pulsante di accensione/spengimento per accendere l'altoparlante; verrà emesso un suono e il pulsante di accensione/spengimento rimarrà illuminato.

Per spegnere l'altoparlante, premere brevemente il

pulsante di accensione/spengimento. Verrà emesso un suono.

**NOTA:** l'altoparlante si spegne automaticamente dopo 20 minuti se la musica non è in riproduzione o le porte USB-A e USB-C non sono utilizzate.

D-1	Pulsante di accensione/spengimento
-----	------------------------------------

### MODALITÀ BLUETOOTH® (Fig. E)

Dopo averlo acceso, l'altoparlante entrerà automaticamente in modalità di abbinamento Bluetooth®; il pulsante Bluetooth® lampeggerà di bianco.

- Attivare la funzione Bluetooth® sul dispositivo da collegare (smartphone o similari) e selezionare "EGO SK1800E" dall'elenco dei dispositivi Bluetooth® rilevati.
- Una volta effettuato l'abbinamento verrà emesso un suono e il pulsante Bluetooth® rimarrà illuminato.

**NOTA:** all'accensione, l'altoparlante si ricollegherà automaticamente all'ultimo dispositivo a cui è stato abbinato.

**NOTA:** se l'altoparlante smette improvvisamente di riprodurre l'audio, il secondo dispositivo collegato potrebbe aver preso il controllo dell'altoparlante riproducendo, ad esempio, una pubblicità silenziosa.

La modalità di abbinamento Bluetooth® si disattiverà automaticamente se l'altoparlante non viene collegato o abbinato ad alcun dispositivo entro 3 minuti.

Premere brevemente il pulsante Bluetooth®; il pulsante Bluetooth® inizierà a lampeggiare, a indicare che è possibile collegare un dispositivo all'altoparlante.

L'altoparlante può essere collegato a due dispositivi Bluetooth® contemporaneamente.

- Dopo aver collegato il primo dispositivo, tenere premuto il pulsante Bluetooth® finché non inizia a lampeggiare.
- Quando il pulsante Bluetooth® lampeggia, selezionare "EGO SK1800E" dall'elenco dei dispositivi rilevati dal secondo dispositivo. Una volta effettuato il collegamento con il secondo dispositivo verrà emesso un messaggio vocale.

**NOTA:** in caso di problemi durante la riproduzione, riavviare l'altoparlante.

**Per scollegare un dispositivo Bluetooth®,** tenere premuto il pulsante Bluetooth® per almeno 2 secondi o scollegare manualmente l'altoparlante dal dispositivo.

E-1	Pulsante Bluetooth®
-----	---------------------

IT

## COLLEGAMENTO DI PIÙ UNITÀ SK1800E TRAMITE LINK (Fig. F1, F2)

La funzione Link permette di collegare tra loro fino a 100 altoparlanti SK1800E.

Accendere gli altoparlanti e assicurarsi che uno di essi sia collegato a un dispositivo Bluetooth.

L'altoparlante collegato al dispositivo diventerà l'unità principale e sarà l'unico in grado di controllare la riproduzione (volume, pausa, ecc.).

IT

**NOTA:** dopo aver regolato il volume sull'altoparlante principale, le altre unità collegate imposteranno lo stesso volume dell'altoparlante principale.

Tenere premuto per almeno 2 secondi il pulsante Link sia sull'altoparlante principale che sull'altoparlante secondario. Quando l'altoparlante secondario riproduce la stessa musica dell'altoparlante principale, i due altoparlanti sono collegati tra loro.

**NOTA:** per collegare un terzo, quarto o novantanovesimo altoparlante è sufficiente tenere premuto per almeno 2 secondi il pulsante Link su ciascun altoparlante aggiuntivo.

La distanza tra due altoparlanti collegati non deve superare i 40 metri in spazio aperto.

Tenere premuto per almeno 2 secondi il pulsante Link sull'altoparlante principale o spegnere gli altri altoparlanti per disattivare il collegamento.

Oltre a collegare più altoparlanti tra loro, il pulsante Link permette di controllare anche la luce dinamica. Premere il pulsante Link per accendere o spegnere la luce dinamica. Se la musica non è in riproduzione, la luce si spegnerà gradualmente, quindi ritornerà gradualmente alla massima luminosità.

F1-1	Pulsante Link	F2-1	Luce dinamica
------	---------------	------	---------------

## REGOLAZIONE DEL VOLUME (Fig. G)

L'altoparlante dispone di 16 livelli di volume.

- Premere il pulsante – per ridurre il volume di un livello.
- Tenere premuto il pulsante – per diminuire il volume gradualmente. Rilasciare il pulsante – al raggiungimento del volume desiderato.
- Premere il pulsante + per aumentare il volume di un livello.
- Tenere premuto il pulsante + per aumentare il volume gradualmente. Rilasciare il pulsante + al raggiungimento del volume desiderato.

Il volume verrà regolato non solo sull'altoparlante ma anche sul dispositivo collegato.

**NOTA:** quando il volume viene regolato al livello massimo verrà emesso un segnale acustico.

G-1	Pulsanti di diminuzione e aumento del volume
-----	--

## RIPRODUZIONE/PAUSA (Fig. H)

Premere il pulsante di riproduzione/pausa per avviare la riproduzione o metterla in pausa.

Premere due volte il pulsante di riproduzione/pausa per passare alla traccia successiva.

H-1	Pulsante di riproduzione/pausa
-----	--------------------------------

## AUMENTO DEI BASSI (Fig. I)

- Premere il pulsante di aumento dei bassi per potenziare i bassi. Quando la funzione di aumento dei bassi è attiva, il pulsante di aumento dei bassi rimarrà illuminato.
- Premere nuovamente il pulsante di aumento dei bassi per riportare i bassi al livello normale. Il pulsante di aumento dei bassi si spegnerà.

I-1	Pulsante di aumento dei bassi
-----	-------------------------------

## MODALITÀ AUX (Fig. J)

Aprire la copertura in gomma, collegare un'estremità del cavo AUX (non incluso) alla presa AUX e assicurarsi che sia collegato correttamente.

Collegare la sorgente audio esterna (lettore MP3 o similari) all'altra estremità del cavo AUX.

Accendere l'altoparlante e avviare la riproduzione.

Scollegare il cavo AUX al termine della riproduzione.

**NOTA:** i dispositivi collegati tramite presa AUX non possono essere ricaricati.

**NOTA:** allo spegnimento dell'altoparlante, il dispositivo collegato non si spegnerà automaticamente.

J-1	Presa AUX	J-2	Porta di uscita USB-A
J-3	Copertura in gomma	J-4	Porta di ingresso/uscita USB-C

## PORTE DI RICARICA USB (Fig. J)

Quando è collegato all'adattatore di corrente CA ed è acceso, l'apparecchio può ricaricare il gruppo batteria inserito e dispositivi USB a bassa potenza come smartphone, lettori MP3 e similari tramite la porta

di uscita USB-A e la porta di ingresso/uscita USB-C. Scollegare il dispositivo USB al termine della ricarica.

**NOTA:** la porta di uscita USB-A non può essere usata per la riproduzione audio. La riproduzione audio è possibile esclusivamente via Bluetooth o collegamento AUX.

**ATTENZIONE!** Chiudere la copertura in gomma dopo ogni utilizzo per evitare l'infiltrazione di polvere, sporcizia e umidità nelle prese.

## MANUTENZIONE

**⚠ AVVERTENZA!** Per la riparazione dell'apparecchio, usare esclusivamente parti di ricambio identiche. L'uso di altri ricambi comporta situazioni pericolose o il rischio di danni al prodotto. Per garantire sicurezza e affidabilità, tutte le operazioni di riparazione e sostituzione devono essere effettuate da un tecnico qualificato.

**⚠ AVVERTENZA!** Per evitare il rischio lesioni gravi, rimuovere la batteria dal prodotto prima di sottoporlo a pulizia o manutenzione.

### MANUTENZIONE GENERALE

Non usare solventi per pulire le parti in plastica. I solventi disponibili in commercio possono danneggiare la maggior parte dei componenti in plastica. Usare un panno pulito per rimuovere sporcizia, polvere, olio, grasso, ecc.

**⚠ AVVERTENZA!** Evitare che sostanze come liquidi per i freni, benzina, prodotti a base di petrolio, ecc. entrino a contatto con le parti in plastica. Le sostanze chimiche possono danneggiare, indebolire o distruggere la plastica, con il rischio di lesioni gravi.

**⚠ AVVERTENZA!** Per ridurre il rischio di incendio, lesioni personali e danni al prodotto a causa di un corto circuito, non immergere l'apparecchio, il gruppo batteria o il caricabatteria in alcun liquido ed evitare l'infiltrazione di liquidi al loro interno. Liquidi corrosivi o conduttivi come l'acqua di mare, alcune sostanze chimiche industriali, candeggina e prodotti contenenti candeggina possono causare un corto circuito.

## CONSERVAZIONE

1. Rimuovere il gruppo batteria dall'altoparlante.
2. Rimuovere tutti i materiali estranei dall'altoparlante.
3. Riporre l'altoparlante in un luogo asciutto, ben ventilato e fuori dalla portata dei bambini. Non conservare l'altoparlante sopra o in prossimità di fertilizzanti, benzina o altre sostanze chimiche.

## PROTEZIONE DELL'AMBIENTE



Non smaltire gli apparecchi elettrici, i caricabatteria e le batterie insieme ai rifiuti domestici. Portare il prodotto presso un centro di riciclaggio autorizzato affinché venga raccolto separatamente. Gli apparecchi elettrici devono essere portati presso un centro di riciclaggio ecocompatibile.

IT

## RISOLUZIONE DEI PROBLEMI

IT

PROBLEMA	CAUSA	SOLUZIONE
L'altoparlante non funziona.	<ul style="list-style-type: none"><li>■ Il gruppo batteria non è installato sull'altoparlante.</li><li>■ Nessun contatto elettrico tra l'altoparlante e la batteria.</li><li>■ Il gruppo batteria è scarico.</li><li>■ Il gruppo batteria è troppo caldo.</li></ul>	<ul style="list-style-type: none"><li>■ Installare il gruppo batteria sull'altoparlante.</li><li>■ Rimuovere il gruppo batteria, ispezionare i contatti e reinstallare il gruppo batteria.</li><li>■ Ricaricare il gruppo batteria.</li><li>■ Attendere che la temperatura del gruppo batteria scenda al di sotto di 67°C.</li></ul>
L'altoparlante non si abbina correttamente al dispositivo Bluetooth.	<ul style="list-style-type: none"><li>■ Il dispositivo è fuori dalla portata Bluetooth.</li></ul>	<ul style="list-style-type: none"><li>■ Avvicinare il dispositivo all'altoparlante.</li></ul>

## GARANZIA

### CONDIZIONI DELLA GARANZIA EGO

Visitare il sito web [egopowerplus.eu](http://egopowerplus.eu) per consultare le condizioni complete della garanzia EGO.

## LEES ALLE INSTRUCTIES!



### LEES DE GEBRUIKSAANWIJZING

**⚠ WAARSCHUWING:** Laat alle reparaties uitvoeren door een vakbekwame reparateur om een continue veiligheid en betrouwbaarheid te waarborgen.

## VEILIGHEIDSSYMBOLEN

Het doel van de veiligheidssymbolen is om u te wijzen op mogelijke gevaren. Besteed daarom voldoende aandacht hieraan en begrijp de veiligheidssymbolen en bijbehorende uitleg. De symboolwaarschuwingen op zich elimineren geen enkel gevaar. De verstrekte instructies en waarschuwingen gelden niet als vervanging voor gepaste voorzorgsmaatregelen tegen ongevallen.

**⚠ WAARSCHUWING:** Lees en begrijp alle veiligheidsinstructies die in deze gebruiksaanwijzing staan vermeld, waaronder alle veiligheidssymbolen zoals “GEVAAR”, “WAARSCHUWING” en “OPGELET” voordat u deze machine in gebruik neemt. Het negeren van onderstaande instructies kan leiden tot een elektrische schok, brand en/of ernstig persoonlijk letsel.

## VEILIGHEIDSSYMBOLEN

Deze pagina toont en beschrijft alle veiligheidssymbolen die zich op dit product kunnen bevinden. Lees, begrijp en volg alle instructies op de machine voordat u deze in elkaar steekt en gebruikt.



Veiligheidswaarschuwing



De gebruiker moet de gebruiksaanwijzing lezen om het risico op letsel te beperken.



Bluetooth®



Gooi elektrisch afval niet via het huishoudelijk afval weg. Breng het naar een geautoriseerd recyclingbedrijf.



Dit product is in overeenstemming met de EG-richtlijnen.



GB conformiteit beoordeeld



Gelijkstroom

W Watt

Hz Hertz

m Meter

V Spanning

kg Kilogram

°C Celsius

mm Millimeter

## ALGEMENE VEILIGHEIDSVORSCHRIFTEN VOOR HET GEREEDSCHAP

**⚠ WAARSCHUWING: LEES ALLE VEILIGHEIDSWAARSCHUWINGEN, INSTRUCTIES, ILLUSTRATIES EN SPECIFICATIES DIE BIJ DEZE MACHINE ZIJN GELEVERD.** Het niet opvolgen van alle onderstaande instructies kan leiden tot elektrische schokken en/of ernstig letsel.

NL

### BEWAAR ALLE WAARSCHUWINGEN EN INSTRUCTIES VOOR TOEKOMSTIG GEBRUIK.

#### VEILIGHEID OP DE WERKPLAATS

- **Houd uw werkplaats schoon en goed verlicht.** Rommelige of donkere gebieden nodigen uit tot ongelukken.
- **Gebruik de machine niet in een explosieve omgeving, zoals in de aanwezigheid van ontvlambare vloeistoffen, gassen of stof.** De machine veroorzaakt vonken en deze kan stof of dampen ontsteken.
- **Houd kinderen en omstanders uit de buurt wanneer u een machine bedient.** Afeiding kan tot controleverlies leiden.

#### ELEKTRISCHE VEILIGHEID

- **De stekker van de machine moet in het stopcontact passen. Pas de stekker op geen enkele manier aan. Gebruik geen adapterstekker met gearde machines.** Niet aangepaste stekkers en overeenkomstige stopcontacten beperken het risico op elektrische schokken.
- **Vermijd lichamelijk contact met gearde oppervlakken, zoals pijpleidingen, radiatoren, fornuizen of koelkasten.** Het risico op een elektrische schok is groter als uw lichaam geaard is.
- **Gebruik de kabel niet op een verkeerde manier. Gebruik de kabel nooit om de machine te dragen of mee te trekken of om de stekker uit het stopcontact te halen. Houd de kabel uit de buurt van hitte, olie, scherpe randen of bewegende onderdelen.** Beschadigde of verstrikte kabels vergroten het risico op een elektrische schok.
- **Wanneer u een luidspreker buitenshuis bedient, gebruik dan een verlengkabel die geschikt is voor gebruik buitenshuis.** Het gebruik van een kabel die voor gebruik buitenshuis geschikt is, verkleint het risico op een elektrische schok.
- **Als het gebruik van een machine in een vochtige**

**ruimte noodzakelijk is, gebruik dan een aardlekschakelaar.** Het gebruik van een ALS verkleint het risico op een elektrische schok.

#### PERSOONLIJKE VEILIGHEID

- **Wees waakzaam, let op wat u doet en gebruik uw gezond verstand wanneer u een machine gebruikt. Gebruik geen machine niet als u moe bent of onder de invloed bent van drugs, alcohol of medicijnen.** Een moment van onoplettendheid tijdens het gebruik van de machine kan leiden tot ernstig persoonlijk letsel.

#### GEBRUIK EN ONDERHOUD VAN DE MACHINE

- **Houd de handgrepen en greepvlakken droog, schoon en vrij van olie en smeervet.** Glibberige handgrepen en greepvlakken maken een veilige omgang en de controle over de machine in onverwachte situaties onmogelijk.

#### GEBRUIK EN ONDERHOUD VAN DE ACCU VAN DE MACHINE

- **Laad alleen op met de lader die door de fabrikant is aangegeven.** Een lader die geschikt is voor een bepaald type accupack kan tot brandgevaar leiden wanneer deze gebruikt wordt met een ander accupack.
- **Gebruik machines alleen met de specifiek vermelde accupacks.** Het gebruik van andere accupacks kan risico op letsel en brandgevaar veroorzaken.
- **Wanneer u het accupack niet gebruikt, houd het uit de buurt van andere metalen voorwerpen zoals paperclips, muntstukken, sleutels, spijkers, schroeven of andere kleine metalen voorwerpen die de twee aansluitklemmen kunnen verbinden.** Het kortsluiten van de aansluitklemmen kan brandwonden of brand veroorzaken.
- **Bij verkeerd gebruik kan er vloeistof uit de accu worden gespoten; vermijd elk contact. Als aanraking met de vloeistof toevallig plaatsvindt, spoel het dan af met water. Als de vloeistof in de ogen komt, dient u onmiddellijk een arts te consulteren.** Vloeistof uit de accu kan irritatie of brandwonden veroorzaken.
- **Gebruik geen accupack of machine de is beschadigd of aangepast.** Beschadigde of aangepaste accu's kunnen resulteren in onvoorzien gedrag zoals brand, explosie of het risico op letsel.
- **Stel een accupack of machine niet bloot aan vuur of excessieve temperaturen.** Blootstelling aan vuur of temperaturen boven 130 °C kunnen leiden tot een explosie.

- **Neem alle laad instructies in acht en laad het accupack of de machine niet buiten het gespecificeerde temperatuurbereik in de handleiding op.** Het onjuist laden of bij een temperatuur buiten het temperatuurbereik kan de accu beschadigen en er bestaat een gevaar op brand.

#### REPARATIE

- **Laat uw machine repareren door een gekwalificeerd persoon en alleen met identieke reserveonderdelen.** Dit waarborgt dat de veiligheid van het gereedschap behouden blijft.
- **Repareer beschadigde accupacks nooit.** Onderhoud van accupacks mag alleen worden uitgevoerd door de fabrikant of een geautoriseerde dienstverlener.

#### VEILIGHEIDSWAARSCHUWINGEN VOOR BLUETOOTH-LUIDSPREKERS VOOR BUITEN

- **Stel dit apparaat niet bloot aan regen of vocht om het risico op brand of elektrische schokken te beperken. Alleen geschikt voor gebruik in een droge locatie.**
- **Gebruik dit apparaat alleen in een goed geventileerde ruimte.**
- **Lees deze gebruiksaanwijzing.**
- **Neem alle waarschuwingen in acht.**
- **Volg alle instructies.**
- **Gebruik dit apparaat niet in de buurt van water.**
- **Alleen schoonmaken met een droge doek.**
- **Blokkeer geen ventilatieopeningen.** Installeer het apparaat volgens de instructies van de fabrikant.
- **Installeer het apparaat niet in de buurt van een warmtebronnen zoals een radiator, verwarmingsrooster, kachel of ander apparaat (inclusief een versterker) dat warmte genereert.**
- **Gebruik alleen hulpstukken/accessoires die door de fabrikant zijn gespecificeerd.**
- **Gebruik het apparaat alleen met de kar, standaard, statief, beugel of tafel die door de fabrikant is gespecificeerd of samen met het apparaat wordt verkocht. Wanneer een kar wordt gebruikt, wees dan voorzichtig bij het verplaatsen van de kar/apparaat-combinatie om letsel door kantelen te voorkomen.**
- **Laat alle onderhoud over aan gekwalificeerd onderhoudspersoneel.** Onderhoud is vereist als het apparaat beschadigd is, als bijvoorbeeld het netsnoer of de stekker beschadigd is, als er vloeistof op het apparaat is gemorst of voorwerpen in het apparaat zijn gevallen, als het apparaat is blootgesteld aan regen of vocht, niet normaal werkt of gevallen is. Reparaties of onderhoud dat door onbekwaam personeel wordt uitgevoerd kan risico op letsel veroorzaken.
- **Een op accu-werkend apparaat met ingebouwde batterijen of een afzonderlijk accupack mag alleen worden opgeladen met de gespecificeerde oplader voor de accu.** Een lader die geschikt is voor één type van accu kan tot brandgevaar leiden wanneer gebruikt met een andere accu.
- **Haal het apparaat nooit uit elkaar en probeer het elektrisch systeem van het apparaat nooit opnieuw te bedraden.**
- **Onderhoud het apparaat. Controleer op een foute uitlijning, breuk van onderdelen en elke andere omstandigheid die de werking van het apparaat kan beïnvloeden. Laat het apparaat repareren voordat u het gebruikt wanneer het beschadigd is. Gebruik het apparaat in overeenstemming met deze instructies en houd hierbij rekening met de werkomstandigheden en de uit te voeren werkzaamheden.** Het gebruik van het apparaat voor andere dan de beoogde toepassingen kan een gevaarlijke situatie tot gevolg hebben.
- **Houd het apparaat uit de buurt van andere metalen voorwerpen, zoals paperclips, munten, sleutels, spijkers, schroeven of andere kleine metalen voorwerpen die de aansluitingen met elkaar kunnen verbinden.** Het kortsluiten van de aansluitklemmen kan brandwonden of brand veroorzaken.
- **Gebruik het apparaat niet als het gevallen is of na een harde klap.** Een beschadigd apparaat verhoogt het risico op brand.
- **Gooi een gebruikte accu onmiddellijk weg.** Buiten het bereik van kinderen houden. Niet demonteren en niet in vuur gooien.
- **Alleen gebruiken met de gespecificeerde accupacks en opladers.**

**Bewaar deze gebruiksaanwijzing.** Raadpleeg de gebruiksaanwijzing indien nodig en gebruik deze om andere personen die deze machine zullen gebruiken te instrueren. Al u deze machine aan iemand anders geeft, doe dan tevens deze gebruiksaanwijzing erbij om verkeerd gebruik en mogelijk letsel te voorkomen.

## SPECIFICATIES

Spanning	56 V
Spanning voor netadapter	100-240 V~, 50/60 Hz
Uitgangsvermogen	180 W
Uitgangsvermogen van versterker	Woofers: 80W x1
	Tweeter: 10W x 2
	Midden: 40W x 2
AUX-poort	3,5 mm
USB-A uitgang	5 V, 2 A
USB-C-ingang/uitgang	DC5V 3A / DC9V 3A / DC12V 3A / DC15V 3A / DC20V 5A
Bluetooth®-bereik	> 55 m
Gewicht (zonder accupack)	7,7 kg
Aanbevolen bedrijfstemperatuur	-15°C - 40°C
Aanbevolen opbergtemperatuur	-20°C - 70°C
Beschermingsgraad tegen binnendringen	IP54* (Bescherming tegen stof en opspattend water)

\* **OPMERKING:** De IP54-classificatie is gebaseerd op het apparaat.

## VERPAKKINGSLIJST (AFB. A1)

## BESCHRIJVING

### MAAK KENNIS MET UW BLUETOOTH-LUIDSPREKER VOOR BUITEN (Afb. A1)

1. Handgreep
2. Bedieningspaneel
3. Accuvrijgaveknop
4. Ademend licht
5. Rubberen afdekking

6. AUX-poort
7. USB-A-uitgangspoort
8. USB-C-ingangs-/uitgangspoort
9. Oplaadindicator
10. AAN/UIT-knop
11. Bluetooth knop
12. Koppeling-knop
13. Volume omlaag-knop
14. Volume omhoog-knop
15. Afspelen/Pauze-knop
16. Bas omhoog-knop

## WERKING

### TOEPASSING

U kunt dit product gebruiken voor onderstaand vermelde doeleinden:

- Audio afspelen van apparaten die draadloos of via een AUX-kabel zijn aangesloten.

### HET ACCUPACK INSTALLEREN/VERWIJDEREN

Gebruik het gereedschap alleen met de in afb. A2 vermelde accupacks en opladers van EGO.

Raadpleeg de handleidingen van de bijbehorende accupacks en opladers voor meer informatie.

### Voor ingebruikname volledig opladen.

**OPMERKING:** U hoort een geluidssignaal om aan te geven dat het accupack bijna leeg is.

### Installeren

Breng de ribbels van de accu overeen met de sleuven en druk het accupack naar beneden totdat u klik hoort (Afb. B1).

### Verwijderen

Druk de accu-ontgrendelingsknop naar beneden en trek het accupack eruit (Afb. B2).

**WAARSCHUWING:** Houd altijd rekening met de positie van uw voeten, kinderen of huisdieren die zich in de buurt bevinden in het oog wanneer u op de accu-ontgrendelingsknop drukt. Ernstig letsel kan zich voordoen wanneer de accu valt. Verwijder de accu NOOIT wanneer u zich op een hoge positie bevindt.

B1-1	Montagesleuf	B1-2	Ribbel
B1-3	Accuvrijgaveknop		



### DE NETADAPTER GEBRUIKEN (NIET INBEGREPEN)

Er is geen netadapter meegeleverd. Een adapter en oplaadkabel die voldoen aan het PD-protocol en meer dan 60W leveren, kunnen worden gebruikt als netadapter.

**OPMERKING:** Bij gebruik van alleen de netadapter kan de geluidskwaliteit en het volume van de muziek worden beïnvloed.

Open de rubberen afdekking en steek de stekker van de netadapter in de USB-C-ingang/uitgang aan de achterkant van de luidspreker. Steek de stekker van de adapter in een standaard stopcontact (Afb. C1).

Wanneer de netadapter is aangesloten, wordt de ingebouwde accupack automatisch opgeladen. Het stipje boven het oplaadindicator-symbool knippert wit. Wanneer het accupack volledig is opgeladen, brandt het stipje continu wit. Wanneer het stipje continu rood brandt, betekent dit dat de accu defect is (Afb. C2).

Haal stekker van de netadapter uit het stopcontact wanneer het apparaat niet wordt gebruikt.

**OPMERKING:** De accupack en USB-apparaten, zoals mobiele telefoons, MP3-spelers, etc., die zijn aangesloten op de USB-A-uitgangspoort kunnen worden opgeladen wanneer de netadapter is aangesloten.

**OPMERKING:** Sluit na elk gebruik altijd de rubberen afdekking om de poorten tegen stof, vuil en vocht te beschermen.

C1-1	Netadapter	C1-2	USB-C-ingangs-/uitgangspoort
C1-3	Rubberen afdekking	C2-1	Stipje
C2-2	Oplaadindicator		

### DE LUIDSPREKER IN- EN UITSCHAKELLEN (Afb. D)

Druk kort op de AAN/UIT-knop, de luidspreker wordt ingeschakeld en het lampje van de AAN/UIT-knop blijft branden, terwijl een geluid de verbinding aankondigt.

Om de luidspreker uit te schakelen, druk kort op de AAN/UIT-knop. Een geluid kondigt de verbreking van de verbinding aan.

**OPMERKING:** de luidspreker wordt automatisch na 20 minuten uitgeschakeld als er geen muziek wordt afgespeeld of er geen output is van de USB-A of USB-C-poort.

D-1	AAN/UIT-knop
-----	--------------

### BLUETOOTH® WERKINGSMODUS (Afb. E)

Nadat u de luidspreker hebt ingeschakeld, wordt de Bluetooth®-koppeling automatisch ingeschakeld, wat wordt aangegeven door de wit knipperende Bluetooth®-knop.

- Activeer de Bluetooth®-functie op het apparaat dat u wilt verbinden (smartphone of soortgelijk apparaat) en selecteer "EGO SK1800E" als het doel van de Bluetooth®-verbinding op uw apparaat.
- Een geluid zal de verbinding aankondigen en de Bluetooth®-knop blijft opgelicht nadat het apparaat succesvol is verbonden.

**OPMERKING:** Wanneer reeds eerder gekoppeld aan het gewenste apparaat, zal de luidspreker automatisch verbinding maken met hetzelfde apparaat wanneer de luidspreker wordt ingeschakeld.

**OPMERKING:** Als de luidspreker plotseling geen geluid meer maakt of ander mediageluid afspeelt, betekent dit dat het tweede verbonden apparaat de controle over de luidspreker heeft overgenomen, waarna er een stille melding verschijnt of een nummer wordt afgespeeld.

De Bluetooth®-koppelingsmodus is slechts 3 minuten actief en schakelt automatisch uit als er geen apparaat is verbonden/gekoppeld.

Druk kort op de Bluetooth®-knop, de Bluetooth®-knop begint te knippen om aan te geven dat een apparaat kan worden verbonden.

Twee apparaten kunnen tegelijkertijd via Bluetooth® met de luidspreker worden verbonden.

- Nadat het eerste apparaat is verbonden, druk op de Bluetooth®-knop totdat deze begint te knippen.
- Zodra de Bluetooth®-knop begint te knippen, selecteer "EGO SK1800E" op het tweede apparaat en verbind het met de luidspreker. Na een succesvolle verbinding hoort u een stem die meldt dat het tweede apparaat is verbonden.

**OPMERKING:** Als er een afspeelprobleem is, start de luidspreker opnieuw op.

#### De verbinding met het Bluetooth®-apparaat

**verbreken:** Houd de Bluetooth®-knop langer dan 2 seconden ingedrukt of ontkoppel de verbinding van de luidspreker op uw apparaat.

E-1	Bluetooth®-knop
-----	-----------------

### MEERDERE SK1800E TOESTELLEN AAN ELKAAR KOPPELEN (Afb. F1, F2)

Er kunnen tot 100 SK1800E luidsprekers aan elkaar worden gekoppeld.

Schakel de luidsprekers in en zorg ervoor dat één van de luidsprekers via Bluetooth met een apparaat is verbonden.

De luidspreker die met het apparaat is verbonden, fungeert als het "host"-toestel en kan de afspelininstellingen (volume, afspelen/pauze, etc.) regelen.

**OPMERKING:** Zodra het volume is aangepast op het "host"-toestel, passen de andere verbonden luidsprekers zich onmiddellijk aan op hetzelfde volumeniveau als het "host"-toestel.

NL

Houd de koppeling-knop langer dan 2 seconden ingedrukt op de "host" en secundaire luidspreker. Wanneer de verbonden luidspreker de muziek van het "host"-toestel afspeelt, betekent dit dat de twee luidsprekers automatisch aan elkaar zijn gekoppeld.

**OPMERKING:** Als u later de derde, vierde of negenennegentigste luidspreker wilt verbinden, hoeft u alleen maar meer dan 2 seconden op de KOPPELING-knop van de extra luidspreker(s) te drukken.

De afstand tussen de twee gekoppelde luidsprekers mag in een open gebied niet meer dan 40 meter bedragen.

Houd de koppeling-knop langer dan 2 seconden ingedrukt op het "host"-toestel of schakel de andere luidsprekers kortstondig uit om het koppelingssysteem uit te schakelen.

Naast het verbinden van meerdere luidsprekers, kan de koppeling-knop tevens de ademende lichtfunctie bedienen. Druk op de KOPPELING-knop om het ademend licht aan of uit te zetten. Wanneer er geen muziek wordt afgespeeld, zal het ademende licht geleidelijk dimmen totdat het volledig uit is, en vervolgens geleidelijk weer naar maximale helderheid terugkeren.

F1-1	Koppeling-knop	F2-1	Ademend licht
------	----------------	------	---------------

## HET VOLUME REGELEN (Afb. G)

De luidspreker heeft 16 volumeniveaus.

- Om het volume te verlagen, druk eenmaal op de "-" knop om het volume met één niveau te verlagen.
- Houd de "-" knop ingedrukt om het volume geleidelijk aan te verlagen. U kunt stoppen met drukken op de "-" knop zodra het volume het gewenste niveau heeft bereikt.
- Om het volume te verhogen, druk eenmaal op de "+" knop om het volume met één niveau te verhogen.
- Houd de "+" knop ingedrukt om het volume geleidelijk aan te verhogen. U kunt stoppen met drukken op de "+" knop zodra het volume het gewenste niveau heeft bereikt.

De volumeregeling kan niet alleen het volume van de luidspreker regelen, maar tevens het volume op het apparaat.

**OPMERKING:** Wanneer het volume wordt aangepast naar het maximum, zal een geluidssignaal aangeven dat het maximale volume is bereikt.

G-1	Volume omlaag en Volume omhoog-knop
-----	-------------------------------------

## AFSPELEN/PAUZE (Afb. H)

Druk op de afspelen/pauze-knop om de muziek te starten of te pauzeren.

Druk snel twee keer op de afspelen/pauze-knop om naar het volgende nummer/bestand te gaan.

H-1	Afspelen/Pauze-knop
-----	---------------------

## BAS OMHOOG (Afb. I)

- Druk op de bas omhoog-knop om de basgeluiden te versterken. De bas omhoog-knop blijft opgelicht om aan te geven dat de basgeluiden worden versterkt.
- Druk nogmaals op de bas omhoog-knop om de basgeluiden terug te zetten naar het normale niveau. Het lampje van de bas omhoog-knop gaat uit.

I-1	Bas omhoog-knop
-----	-----------------

## AUX-WERKINGSMODUS (Afb. J)

Open de rubberen afdekking, sluit de AUX-kabel (niet inbegrepen) aan op de AUX-poort en controleer of deze goed is aangesloten.

Sluit de externe muziekbron (MP3-speler of soortgelijk apparaat) aan op het andere uiteinde van de AUX-kabel.

Schakel de luidspreker in en start met afspelen.

Koppel de AUX-kabel los wanneer u klaar bent met afspelen.

**OPMERKING:** Accu's van aangesloten apparaten kunnen niet worden opgeladen via de AUX-aansluiting.

**OPMERKING:** Wanneer de luidspreker is uitgeschakeld, wordt het verbonden apparaat niet automatisch uitgeschakeld.

J-1	AUX-poort	J-2	USB-A-uitgangspoort
J-3	Rubberen afdekking	J-4	USB-C-ingangs-/uitgangspoort

### USB-STROOMPOORTEN (Afb. J)

Wanneer een accupack is geïnstalleerd of de luidspreker is aangesloten op een netadapter en de luidspreker is ingeschakeld, zullen de USB-A uitgangspoort en de USB-C invoer/uitvoerpoort oplaadvermogen leveren voor apparaten met een laag vermogen, zoals mobiele telefoons, MP3-spelers, etc. Koppel het USB-apparaat onmiddellijk los na het opladen.

**OPMERKING:** De USB-A-uitgangspoort kan niet worden gebruikt voor het afspelen van audio. Het afspelen van audio is alleen mogelijk via Bluetooth of AUX-verbinding.

**OPMERKING:** Sluit na elk gebruik altijd de rubberen afdekking om de poorten tegen stof, vuil en vocht te beschermen.

### ONDERHOUD

**⚠ WAARSCHUWING:** Gebruik tijdens reparaties uitsluitend identieke reserve-onderdelen. Het gebruik van andere onderdelen kan gevaar opleveren of schade aan het product veroorzaken. Laat alle reparaties uitvoeren door een vakbekwame reparateur om een continue veiligheid en betrouwbaarheid te waarborgen.

**⚠ WAARSCHUWING:** Om ernstig persoonlijk letsel te voorkomen, dient u de accu voor de reiniging of het onderhoud altijd uit het product te verwijderen.

#### ALGEMEEN ONDERHOUD

Maak de kunststof onderdelen niet schoon met oplosmiddelen. De meeste kunststoffen kunnen worden beschadigd wanneer ze in contact komen met commerciële oplosmiddelen. Gebruik een schone doek voor het verwijderen van vuil, stof, olie, vet, etc.

**⚠ WAARSCHUWING:** Zorg dat remvloeistof, benzine, producten op basis van aardolie, oliën, etc. op geen enkel moment met de kunststof onderdelen in aanraking komen. Chemicaliën kunnen de kunststof onderdelen beschadigen en ernstig persoonlijk letsel veroorzaken.

**⚠ WAARSCHUWING:** Om het risico op brand, persoonlijk letsel en schade aan het product door kortsluiting te beperken, dompel uw machine, het accupack of lader nooit in een vloeistof en zorg dat er geen vloeistof binnendringt. Bijtende of geleidende vloeistoffen, zoals zeewater, bepaalde industriële chemicaliën, bleekmiddel of producten die bleekmiddel bevatten, etc. kunnen kortsluiting veroorzaken.

### OPSLAG

1. Verwijder het accupack uit de luidspreker.
2. Reinig al het externe materiaal van de luidspreker.
3. Berg de luidspreker op in een droge, goed geventileerde omgeving buiten het bereik van kinderen. Berg de luidspreker niet op in de buurt van meststoffen, benzine of andere chemicaliën.

### HET MILIEU BESCHERMEN



Gooi geen elektrische apparatuur, gebruikte accu's en laders weg via het huishoudelijk afval! Geef dit product af bij een geautoriseerd recyclingbedrijf en zorg dat het apart kan worden ingezameld. Elektrisch gereedschap moet naar een gepast inzamelpunt worden gebracht voor een milieuvriendelijke recycling.

NL

**PROBLEEMOPLOSSING**

PROBLEEM	OORZAAK	OPLOSSING
De luidspreker werkt niet.	<ul style="list-style-type: none"><li>■ Het accupack is niet op de luidspreker aangesloten</li><li>■ Er is geen elektrisch contact tussen de luidspreker en de accu.</li><li>■ Het accupack is leeg.</li><li>■ Het accupack is te warm.</li></ul>	<ul style="list-style-type: none"><li>■ Bevestig het accupack op de luidspreker.</li><li>■ Verwijder het accupack, controleer de contacten en bevestig het accupack weer.</li><li>■ Laad het accupack op.</li><li>■ Koel het accupack af totdat zijn temperatuur lager dan 67°C (152°F) is.</li></ul>
De luidspreker kan niet juist worden gekoppeld aan een Bluetooth-apparaat.	<ul style="list-style-type: none"><li>■ Buiten het Bluetooth-koppelingsbereik.</li></ul>	<ul style="list-style-type: none"><li>■ Plaats uw apparaat dichterbij de luidspreker.</li></ul>

**NL****GARANTIE****EGO-GARANTIEBELEID**

Ga naar de website [egopowerplus.eu](http://egopowerplus.eu) voor de volledige algemene voorwaarden van het EGO-garantiebeleid.

## LÆS ALLE ANVISNINGER!



LÆS BRUGERVEJLEDNINGEN

**⚠ ADVARSEL:** For at sikre sikkerhed og pålidelighed, bør alle reparationer udføres af en kvalificeret servicetekniker.

## SIKKERHEDSSYMBOLER

Formålet med sikkerheds- symboler er at tiltrække din opmærksomhed på mulige farer. Du skal være meget opmærksom på sikkerhedssymbolerne og forklaringerne til dem og lære at forstå dem. Symbolernes advarsler fjerner ikke i sig selv eventuelle farer. Anvisningerne og advarselne er ingen erstatninger for ordentlig forebyggelse af ulykker.

**⚠ ADVARSEL:** Sørg for at læse og forstå alle sikkerhedsanvisninger i denne brugsanvisning, herunder alle sikkerhedssymboler, såsom "FARE", "ADVARSEL" og "FORSIGTIG", før du bruger denne maskine. Hvis anvisningerne nedenfor ikke følges, kan det føre til elektrisk stød, brand og/eller alvorlig personskade.

DK

## SIKKERHEDSANVISNINGER

Denne side viser og beskriver sikkerhedssymboler, der kan være på dette produkt. Læs, forstå og følg alle anvisninger på maskinen, før du forsøger at samle og betjene.



Sikkerhedsadvarsel



For at mindske risikoen for skader skal brugeren læse brugsanvisningen.



Bluetooth®



Elektriske affaldsprodukter må ikke bortskaffes sammen med husholdningsaffald. Produktet skal bortskaffes på en godkendt genbrugsplads.



Dette produkt er i overensstemmelse med gældende EU-direktiver.



Overensstemmelse i Storbritannien



Jævnstrøm (DC)

W Watt

Hz Hertz

m Meter

V Spænding

kg Kg

°C Celsius

mm Millimeter

## GENERELLE SIKKERHEDSADVARSLER TIL MASKINEN

**⚠ ADVARSEL: LÆS ALLE SIKKERHEDSADVARSLER, INSTRUKTIONER, BILLEDER OG SPECIFIKATIONER, DER FØLGER MED DENNE MASKINE.** Hvis anvisningerne nedenfor ikke følges, kan det føre til elektrisk stød, brand og/eller alvorlig personskade.

**GEM ALLE ADVARSLER OG INSTRUKTIONER TIL FREMTIDIG REFERENCE.**

DK

### SIKKERHED PÅ ARBEJDSPLADSEN

- **Sørg for, at arbejdsområdet er rent og godt belyst.** Et rodet eller mørkt område kan føre til ulykker.
- **Maskinen må ikke bruges i en eksplosionsfarlig atmosfære, såsom i nærheden af brændbare væsker, gasser eller støv.** Maskinen danner gnister, der kan antænde støv eller dampe.
- **Hold børn og tilskuere på afstand, når en maskine er i brug.** Distractioner kan medføre, at du mister kontrollen.

### SIKKERHED OMKRING ELEKTRICITET

- **Maskinens stik skal passe til stikkontakten.** Stikket må på ingen måde ændres. Brug ikke adapterstik med jordeforbundne maskiner. Uændrede stik, der passer til stikkontakterne, nedsætter risikoen for elektrisk stød.
- **Undgå kropskontakt med jordforbundne overflader, såsom rør, radiatorer, komfurer og køleskabe.** Der er øget risiko for elektrisk stød, hvis din krop er jordforbundet.
- **Ledningen må ikke mishandles. Brug aldrig ledningen til at bære eller trække maskinen, eller til at trække stikket ud. Hold ledningen væk fra varme, olie, skarpe kanter og bevægelige dele.** Beskadigede eller sammenfildrede ledninger, øger risikoen for elektrisk stød.
- **Hvis højttaleren bruges udendørs, skal der bruges en forlængerledning, der er egnet til udendørs brug.** Brug af en egnet ledning til udendørs brug, reducerer risikoen for elektrisk stød.
- **Hvis en maskine skal bruges på et fugtigt sted, skal du bruge en strømforsyning med et fejlstrømsrelæ (GFCI)<sup>®</sup>.** Brug af et fejlstrømsrelæ, reducerer risikoen for elektrisk stød.

### PERSONLIG SIKKERHED

- **Vær forsigtig, hold øje med hvad du laver, og**

**brug din sunde fornuft, når du bruger maskinen. Maskinen må ikke bruges, hvis du er træt eller er påvirket af narkotika, alkohol eller medicin.** Et øjeblikks uopmærksomhed under brugen af maskinen kan føre til alvorlige personskader.

### BRUG OG PLEJE AF MASKINEN

- **Hold håndtag og grebflader tørre, rene og fri for olie og fedt.** Glatte håndtag og glatte overflader, der holdes i, gør maskinen farligt at bruge i uventede situationer.

### BRUG OG PLEJE AF DENNE BATTERIDREVNE MASKINE

- **Genoplad kun med opladeren er angivet af fabrikanten.** Hvis en oplader, der er egnet til én slags batteri, bruges med en anden slags batteri, kan det føre til brand.
- **Brug kun maskiner med særligt udpegede batteripakker.** Brug af andre batterier kan skabe risiko for personskade og brand.
- **Når batteriet ikke er i brug, skal den holdes væk fra andre metalgenstande som papirclips, mønter, nøgler, søm, skruer eller andre små metalgenstande, der kan skabe forbindelse fra en pol til en anden.** Shorting batteripolerne sammen kan forårsage forbrændinger eller brand.
- **Ved forkert anvendelse kan der slippe væske ud af batteriet: Undgå kontakt.** Hvis det alligevel skulle ske, skal området skylles med vand. Hvis væske kommer i øjnene, skal man søge læge. Væske fra batteriet kan forårsage irritation eller forbrændinger.
- **Brug ikke et batteri eller en maskine, der er beskadiget eller modificeret.** Beskadigede eller modificerede batterier kan opføre sig uforudsigeligt og forårsage brand, eksplosion eller risiko for personskade.
- **Udsæt ikke et batteri eller en maskine for ild eller for høj temperatur.** Udsættelse for ild eller temperaturer over 130 °C kan forårsage eksplosion.
- **Følg alle anvisninger vedrørende opladning, og oplad ikke batteriet eller maskinen uden for temperaturområdet, der står i anvisningerne.** Forkert opladning eller temperaturer uden for det angivne område kan beskadige batteriet og øge risikoen for brand.

### SERVICE

- **Få maskinen serviceret af en kvalificeret tekniker, og brug kun originale reservedele.** Dette vil sikre, at maskinen fortsat er sikker at bruge.

- **Udfør aldrig selv service på beskadigede batterier.** Service på batterier må kun udføres af producenten eller godkendte servicecentre.

#### SIKKERHEDSADVARSLER TIL UDENDØRSHØJTALEREN

- **For at reducere risikoen for brand og elektrisk stød, må apparatet ikke udsættes for regn eller fugt. Det må kun bruges på et tørt sted.**
- **Dette apparat må kun bruges i et ordentligt ventileret område.**
- **Læs disse vejledninger.**
- **Overhold alle advarselserne.**
- **Følg alle instruktionerne.**
- **Apparatet må ikke bruges i nærheden af vand.**
- **Dette apparat må kun rengøres med en tør klud.**
- **Ventilationsåbninger må ikke blokeres.** Apparatet skal opstilles i henhold til producentens vejledninger.
- **Produktet må ikke opstilles i nærheden af varmekilder såsom radiatorer, varmeapparater, komfurer eller andre apparater (herunder forstærkere), der producerer varme.**
- **Brug kun tilbehør, der anbefales af producenten.**
- **Produktet må kun bruges med en vogn, stativ, beslag og bord, der er godkendt af producenten, eller som sælges med produktet. Hvis du bruger en vogn, skal du være forsigtig, når du flytter vognen/ apparatet, så det ikke vælter og forårsager skade.**
- **Al service skal udføres af kvalificeret servicepersonale.** Apparatet skal repareres, hvis det på nogen måde er blevet beskadiget, såsom hvis strømforsyningsledning eller stikket beskadiges, hvis væske spildes eller hvis genstande falder ind i apparatet, hvis apparatet udsættes for regn eller fugt, eller hvis apparatet ikke virker normalt eller tabes. Reparation eller vedligeholdelse, der udføres af ukvalificeret personale kan føre til risiko for personskader.
- **Et batteridrevet apparat med et indbygget batterier eller en separat batteripakke, må kun genoplades med den opladeren, der er beregnet til batteriet.** En oplader, der er egnet til ét slags batteri, udgør en risiko for brand, hvis den bruges til et andet batteri.
- **Apparatet må aldrig skilles ad. Forsøg aldrig at foretage nogen former for ledningsføring i apparatets elektriske system.**
- **Vedligehold apparatet. Se, om apparatet er justeret forkert, om nogen dele er gået i stykker eller om apparatet fejler andet, der kan påvirke**

dets funktion. Hvis apparatet beskadiges, skal det repareres inden brug. Apparatet skal bruges i henhold til disse instruktioner, under hensyntagen til arbejdsforholdene og det arbejde, der skal udføres. Apparatet må ikke bruges til andet end dets tiltænkte formål, da dette kan føre til en farlig situation.

- **Apparatet skal holdes væk fra andre metalgenstande som papirclips, mønter, nøgler, søm, skruer eller andre små metalgenstande, der kan lave en forbindelse fra en pol til en anden.** Hvis batteripolerne kortsluttes kan det føre til forbrændinger eller brand.
- **Hvis apparatet tabes eller udsættes for kraftigt slag, må det ikke bruges.** Et beskadiget apparat øger risikoen for brand.
- **Et brugt batteri skal straks bortskaffes.** Holdes utilgængelig for børn. Produktet må ikke skilles ad og det må ikke bortskaffes i ild.
- **Produktet må kun bruges med de angivne batteripakker og opladere.**

**Gem disse vejledninger.** Brug dem regelmæssigt, og brug dem til at instruere andre, der skal bruge denne maskine. Hvis du låner denne maskine ud til andre personer, skal disse vejledninger følge med, så produktet ikke bruges forkert, hvilket kan føre til personskader.

DK

## SPECIFIKATIONER

Spænding	56 V
Spænding til strømadapteren (AC)	100-240 V~, 50/60 Hz
Udgangseffekt	180 W
Forstærkerens strømudgang	Woofers: 80 W x1
	Tweeter: 10W x 2
	Midt: 40W x 2
AUX-port	3,5 mm
USB-A-udgang	5 V, 2 A
USB-C-ind- og udgang	DC 5V 3A / DC 9V 3A / DC 12V 3A / DC 15V 3A / DC 20V 5A
Bluetooth® rækkevidde	> 55 m
Vægt (uden batteri)	7,7 kg
Anbefalet driftstemperatur	-15°C - 40°C
Anbefalet opbevaringstemperatur	-20°C - 70°C
Klassificering af indtrængningsbeskyttelse	IP54* (Beskyttelse mod støv og vandsprøjt)

\* **BEMÆRK:** IP54-vurderingen er baseret på apparatet.

## LISTE OVER DELE I PAKKEN (FIG. A1)

### BESKRIVELSE

#### GØR DIG BEKENDT MED DIN UDENDØRSHØJTALER (fig. A1)

1. Håndtag
2. Betjeningspanel
3. Udløserknap til batteri
4. Langsomt blinkende lys
5. Gummidæksel
6. AUX-port
7. USB-A-udgangsport

8. USB-C-ind- og udgangsport
9. Opladningsindikator
10. Tænd/sluk-knap
11. Bluetooth-knap
12. Link-knap
13. Lydstyrke ned-knap
14. Lydstyrke op-knap
15. Afspil/Pause-knap
16. Bas op-knap

## BETJENING

### BRUG

Du kan bruge dette produkt til de formål, der er nævnt nedenfor:

- Lydafspilning fra enheder, der forbindes trådløst eller med et AUX-kabel.

### PÅSÆTNING / AFTAGNING BATTERIPAKKEN

Produktet må kun bruges med EGO's batteripakker og opladere, der er anført i fig A2.

Du kan finde flere oplysninger i brugsvejledningerne til batteripakkerne og opladerne.

### Lad batteriet helt op inden første brug.

**BEMÆRK:** Der lyder en lyd, når batteripakken er ved at løbe tør for strøm.

### Montering

Sørg for at batteriets ribber passer med monteringsrillerne, og tryk batteriet ned, indtil du hører et "klik" (fig. B1).

### Aftagning

Tryk på knappen til batteriudløseren, og træk batteripakken ud (fig. B2).

**⚠ ADVARSEL:** Vær altid opmærksom på dine fødders placering og på børn eller kæledyr omkring dig, når du trykker på udløserknappen til batteripakken. Der kan opstå alvorlig skade, hvis batteriet falder. Batteripakken på ALDRIG tages ud i en høj højde.

B1-1	Monteringsrille	B1-2	Rib
B1-3	Udløserknap til batteri		

### BRUG AF VEKSELSTRØMSADAPTEREN (MEDFØLGER IKKE)



Vekselstrømsadapteren medfølger ikke. Brug en adapter og opladningskabel, der overholder PD-protokollen og som er over 60W.

**BEMÆRK:** Hvis du kun bruger vekselstrømsadapteren, kan det påvirke musikken lyd kvalitet og lydstyrke.

Åbn gummidækslet, og sæt vekselstrømsadapterens stik i USB-C-ind- og udgangsporten bag på højttaleren. Slut adapteren til en standard stikkontakt (fig. C1).

Når strømadapteren forbindes, oplades batteripakken i produktet automatisk. Den lille prik over opladningsindikatoren blinker hvid. Når batteripakken er ladet helt op, lyser den lille prik hvid. Hvis den lille prik lyser rød, er batteripakken defekt (fig. C2).

Vekselstrømsadapteren skal afbrydes fra stikkontakten, når den ikke bruges.

**BEMÆRK:** Batteripakken og USB-enheder, såsom mobiltelefoner, MP3-afspillere og lignende, der sluttes til USB-A-udgangsporten, kan oplades, når vekselstrømsadapteren tilsluttes.

**BEMÆRK:** Luk altid gummidækslet efter hver brug, så portene beskyttes mod støv, skidt og fugt.

C1-1	Vekselstrømsadapter (AC)	C1-2	USB-C-ind- og udgangsport
C1-3	Gummidæksel	C2-1	Lille prik
C2-2	Opladningsindikator		

#### SÅDAN TÆNDES OG SLUKKES HØJTALEREN (fig. D)

Tryk på tænd/sluk-knappen, hvorefter højttaleren tændes, tænd/sluk-knappen lyser og højttaleren siger en lyd, når den forbindes.

Tryk på tænd/sluk-knappen igen, for at slukke højttaleren. Højttaleren siger en lyd, når forbindelsen afbrydes.

**BEMÆRK:** Højttaleren slukker automatisk efter 20 minutter, hvis den ikke bruges eller hvis der ikke sluttes noget til og fra USB-A- eller USB-C-porte.

D-1	Tænd/sluk-knap
-----	----------------

#### BRUG AF BLUETOOTH® (fig. E)

Når du har tændt højttaleren, slår Bluetooth®-parringen automatisk til. Dette vises med den hvide blinkende Bluetooth®-knap.

- Slå Bluetooth® til på enheden, der skal forbindes (mobiltelefon eller lignende) og vælg "EGO SK1800E" for at oprette Bluetooth®-forbindelsen.

- Der lyder en lyd, når forbindelsen er blevet oprettet, og Bluetooth®-knappen lyser, når en enhed er forbundet.

**BEMÆRK:** Hvis højttaleren før har været parret med den ønskede enhed, opretter højttaleren automatisk forbindelse til den samme enhed igen, når højttaleren tændes.

**BEMÆRK:** Hvis højttaleren pludselig ikke afspiller lyd eller afspiller anden medielyd, er det fordi den anden forbundne enhed nu spiller via højttaleren. Den anden enhed spiller muligvis en reklame eller en anden sang.

Bluetooth®-parringen er kun aktiv i 3 minutter, hvorefter den automatisk slås fra, hvis der ikke forbindes/parres en enhed.

Tryk på Bluetooth®-knappen, hvorefter Bluetooth®-knappen begynder at blinke for at vise, at en enhed kan forbindes.

Det er muligt, at forbinde to enheder til højttaleren via Bluetooth® på samme tid.

- Når den første enhed er forbundet, skal du trykke på Bluetooth®-knappen, indtil den begynder at blinke.
- Når Bluetooth®-knappen begynder at blinke, skal du vælge "EGO SK1800E" på den anden enhed og forbinde den til højttaleren. Når forbindelsen er oprettet, lyder en stemmemeddelelse, der fortæller at den anden enhed er forbundet.

**BEMÆRK:** Hvis der er et problem med afspilningen, skal du genstarte højttaleren.

**Sådan afbrydes Bluetooth®-enheden:** Hold Bluetooth®-knappen nede i mindst 2 sekunder, eller afbryd højttaleren på din enhed.

E-1	Bluetooth®-knap
-----	-----------------

#### SÅDAN FORBINDES FLERE SK1800E-ENHEDER MED LINK-KNAPPEN (fig. F1, F2)

Det er muligt, at forbinde op til 100 SK1800E højttalere med link-knappen.

Tænd højttalerne, og sørg for at en af højttalerne er forbundet til en enhed via Bluetooth.

Højttaleren, der er forbundet til enheden, er "værtsenheden", som kan styre afspilning (lydstyrke, afspilning/pause osv.).

**BEMÆRK:** Når lydstyrken justeres på "værtsenheden", sættes de andre forbundne højttalere på samme lydstyrke, som "værtsenheden".

Hold link-knappen nede i mindst 2 sekunder på "værten" og den anden højttaler. Når den forbundne højttaler

afspiller musikken fra "værtsenheden", er de to højttalere automatisk forbundet med hinanden.

**BEMÆRK:** Hvis du vil oprette forbindelse til en tredje, fjerde eller flere højttalere senere, skal du blot holde LINK-knappen nede i mindst 2 sekunder på højttalerne.

Afstanden mellem de to forbundne højttalere må højst være 40 meter i et åbent område.

Hold link-knappen nede i mindst 2 sekunder på "værtsenheden", eller sluk de andre højttalere for at afbryde LINK-systemet.

Ud over at forbinde flere højttalere, kan link-knappen også styre det langsomt blinkende lys. Tryk på LINK-knappen for at tænde og slukke det langsomt blinkende lys. Når der ikke afspilles musik, slukker det langsomt blinkende lys gradvist, hvorefter det gradvist går tilbage til fuld lysstyrke.

DK

F1-1	Link-knap	F2-1	Langsomt blinkende lys
------	-----------	------	------------------------

## SÅDAN INDSTILLES LYDSTYRKEN (fig. G)

Højttaleren har 16 lydstyrketrin.

- For at skrue ned for lydstyrken, skal du trykke én gang på knappen "-" for at skrue ned med ét trin.
- Hold knappen "-" nede for at skrue ned for lydstyrken gradvist. Hold op med at trykke på knappen "-", når du er på den ønskede lydstyrke.
- For at skrue op for lydstyrken, skal du trykke en gang på knappen "+" for at skrue op med ét trin.
- Hold knappen "+" nede for at skrue op for lydstyrken gradvist. Hold op med at trykke på knappen "+", når du er på den ønskede lydstyrke.

Lydstyrkeknapperne bruges til at justere højttalerens lydstyrke, men kan også bruges til at justere lydstyrken på enheden.

**BEMÆRK:** Hvis der skrues helt op for lydstyrken, lyder en lyd, der fortæller dig at lydstyrken er skruet helt op.

G-1	Lydstyrke ned og op-knap
-----	--------------------------

## AFSPIL/PAUSE (fig. H)

For at starte og stoppe afspilningen og sætte den på pause, skal du trykke på start/pause-knappen.

Tryk på afspil/pause-knappen to gange for at gå til det næste nummer/fil.

H-1	Afspil/Pause-knap
-----	-------------------

## BAS OP (fig. I)

- Tryk på bas op-knappen for at forstærke bassen. Bas op-knappen lyser for at vise, at bassen er forstærket.
- Tryk på bas op-knappen igen for at sætte bassen på normal igen. Lyset i bas op-knappen går ud.

I-1	Bas op-knap
-----	-------------

## BRUG AF AUX-FUNKTIONEN (fig. J)

Åbn gummidækslet, sæt AUX-kablet (medfølger ikke) i AUX-porten og sørg for, at det tilsluttes ordentligt.

Slut den anden ende af AUX-kablet til den eksterne musikkilde (MP3-afspiller eller lignende).

Tænd højttaleren og start afspilningen.

Når du er færdig med afspilningen, skal du afbryde AUX-kablet.

**BEMÆRK:** Batterierne i den eksterne enhed kan ikke oplades via AUX-forbindelsen.

**BEMÆRK:** Når højttaleren slukkes, slukkes de forbundne enheder ikke automatisk.

J-1	AUX-port	J-2	USB-A-udgangsport
J-3	Gummidæksel	J-4	USB-C-ind- og udgangsport

## USB-STRØMPORTE (fig. J)

Når en batteripakke sættes i højttaleren eller hvis til sluttes til vekselstrømsadapteren, og den tændes, forsyner USB-A-strømporten og USB-C-ind- og udgangsporten strøm til enheder med lav effekt, såsom mobiltelefoner, MP3-afspillere og lignende. Afbryd straks USB-enheden, når den er ladet op.

**BEMÆRK:** USB-A-udgangsporten kan ikke bruges til lydafspilning. Lydafspilning er kun mulig via Bluetooth og AUX-forbindelsen.

**BEMÆRK:** Luk altid gummidækslet efter hver brug, så portene beskyttes mod støv, skidt og fugt.

## VEDLIGEHOLDELSE

**⚠ ADVARSEL:** Ved service må der kun bruges originale reservedele. Brug af andre reservedele kan medføre fare eller forårsage skader på produktet. For at sikre sikkerhed og pålidelighed, bør alle reparationer udføres af en kvalificeret servicetekniker.

**⚠ ADVARSEL:** For at undgå alvorlig personskade, altid fjern batteriet fra produktet ved rengøring eller udfører vedligeholdelse.

## GENEREL VEDLIGEHOLDELSE

Undgå, at bruge opløsningsmidler til rengøring af plastdele. De fleste plastmaterialer risikerer at blive ødelagt, ved brug af forskellige slags alment tilgængelige opløsningsmidler. Brug rene klude til at fjerne snavs, støv, olie, fedt, osv.

**⚠ ADVARSEL:** Lad aldrig bremsevæske, benzin, oliebaserede produkter, indtrængende olier osv. komme i kontakt med dele af plastic. Kemikalier kan beskadige, svække og ødelægge plastic, hvilket kan føre til alvorlige personskader.

**⚠ ADVARSEL:** For at reducere risikoen for brand, personskade og produktskade på grund af kortslutning, må maskinen, batteripakken eller opladeren aldrig nedsænkes i væske. Undgå også at væske trænger ind i dem. Ætsende eller ledende væsker, såsom havvand, bestemte industrikemikalier og blegemidler eller blegemiddelholdige produkter osv. kan kortslutte produktet.

## OPBEVARING

1. Tag batteripakken ud af højttaleren.
2. Fjern alle fremmedlegemer på højttaleren.
3. Opbevar højttaleren på et tørt, ventileret sted, uden for børns rækkevidde. Højttaleren må ikke opbevares på eller ved siden af kunstgødning, benzin eller andre kemikalier.

## BESKYTTELSE AF MILJØET



Elektrisk udstyr, batterioplader og batterier må ikke smides ud sammen med almindelig husholdningsaffald! Tag dette produkt til en autoriseret genbrugsplads, og sørg for at det sendes til genbrug. Elektriske værktøjer skal returneres til et miljøkompatibelt genvindingsanlæg.

DK

## FEJLFINDING

PROBLEM	ÅRSAG	LØSNING
Højtaleren virker ikke.	<ul style="list-style-type: none"><li>■ Batteripakken er ikke sat i højtaleren</li><li>■ Der er en løs forbindelse mellem højtaleren og batteriet.</li><li>■ Batteripakken er afladet.</li><li>■ Batteripakken er for varm.</li></ul>	<ul style="list-style-type: none"><li>■ Sæt batteripakken i højtaleren.</li><li>■ Fjern batteriet, kontrollér kontakterne og sæt batteriet på igen.</li><li>■ Oplad batteripakken.</li><li>■ Afkøl batteripakken, indtil temperaturen falder til under 67 °C.</li></ul>
Højtaleren kan ikke parres ordentligt med en Bluetooth-enhed.	<ul style="list-style-type: none"><li>■ Enheden er uden for Bluetooth-rækkevidden.</li></ul>	<ul style="list-style-type: none"><li>■ Sæt enheden tættere på højtaleren.</li></ul>

DK

## GARANTI

### EGO GARANTI POLITIK

Besøg venligst hjemmesiden [egopowerplus.eu](http://egopowerplus.eu) for fuldstændige vilkår og betingelser for EGO's garantipolitik.

## LÄS IGENOM ALLA INSTRUKTIONER!



### LÄS IGENOM BRUKSANVISNINGEN

**⚠ VARNING:** För att garantera en säker och pålitlig användning måste alla reparationer utföras av en kvalificerad servicetekniker.

## SÄKERHETSSYMBOLER

Syftet med säkerhetssymboler är att uppmärksamma eventuella faror. Säkerhetssymbolerna och förklaringarna av dessa kräver din fullständiga uppmärksamhet och förståelse. Symbolvarningarna i sig eliminerar inte några faror. Instruktionerna och varningarna som ges är inte något substitut för korrekta åtgärder för förhindrande av olyckor.

**⚠ VARNING:** Var noga med att läsa igenom och förstå alla säkerhetsinstruktioner i denna bruksanvisning, inklusive alla varningssymboler såsom "FARA", "VARNING", och "FÖRSIKTIGHET" innan maskinen används. Underlåtenhet att läsa alla instruktioner som listas nedan kan resultera i elektrisk stöt, brand och/eller allvarlig personskada.

SE

## SÄKERHETSINSTRUKTIONER

Denna sida framställer och beskriver säkerhetssymboler som kan visas på denna produkt. Läs igenom, förstå och följ alla instruktioner på maskinen innan försök görs att montera och hantera den.



Säkerhetslarm



För att minska risken för skador måste användaren läsa bruksanvisningen.



Bluetooth®



Förbrukade elektriska produkter får inte kastas i hushållsoporna. Lämnas in till en auktoriserad återvinning.



Denna produkt är i enlighet med gällande EG-direktiv.



Brittisk överensstämmelse bedömd



Likström

W Watt

Hz Hertz

m Mätare

V Spänning

kg Kilogram

°C Celsius

mm Millimeter

## ALLMÄNNA VARNINGAR FÖR MASKINSÄKERHET

**⚠ VARNING: LÄS IGENOM ALLA SÄKERHETSVARNINGAR, INSTRUKTIONER, ILLUSTRATIONER OCH SPECIFIKATIONER SOM MEDFÖLJER DENNA MASKIN.** Underlåtenhet att följa alla instruktioner som listas nedan kan resultera i elektriska stötar, brand och/eller allvarliga personskador.

**SPARA ALLA VARNINGAR OCH INSTRUKTIONER FÖR FRAMTIDA REFERENS.**

### ARBETSPLATSSÄKERHET

SE

- **Håll arbetsområdet rent och ordentligt upplyst.** Stökiga eller mörka områden kan leda till olyckor.
- **Använd inte maskiner i explosiva miljöer som t.ex. i närvaron av brandfarliga vätskor, gaser eller damm.** Maskiner skapar gnistor som kan antända damm eller ångor.
- **Håll barn och åskådare borta medan maskinen arbetar.** Störningarna kan göra att du tappar kontrollen.

### ELEKTRISK SÄKERHET

- **Maskinens stickkontakt måste matcha uttaget. Modifiera aldrig kontakten på något sätt. Använd inte någon adapterkontakt med motordrivna verktyg som är jordade.** Stickkontakter som inte modifierats och passar i eluttaget minskar risken för elektriska stötar.
- **Undvik kroppskontakt med jordanslutna eller jordade ytor såsom rör, värmeelement, spisar och kylskåp.** Det finns en ökad risk för elektrisk stöt om din kropp är jordansluten eller jordad.
- **Vanvärda inte kabeln. Använd aldrig kabeln för att bära, släpa eller för att koppla ur maskinen. Håll kabeln borta från värme, olja, skarpa kanter och rörliga delar.** Skadade eller tilltrasslade sladdar ökar risken för elektrisk stöt.
- **När du använder en högtalare utomhus, använd en förlängningssladd som är lämplig för utomhusbruk.** Användning av en sladd som är lämplig för utomhusbruk minskar risken för elektriska stötar.
- **Om arbete med en maskin i en fuktig lokal är oundvikligt, använd ett uttag som är skyddat med jordfelsbrytare.** Användning av en jordfelsbrytare minskar risken för elektriska stötar.

### PERSONLIG SÄKERHET

- **Var uppmärksam och observant samt använd sunt förnuft när du använder en maskin. Använd inte en maskin om du är trött eller under påverkan av droger, alkohol eller medicin.** Ett ögonblicks uppmärksamhet vid användning av maskiner kan leda till allvarliga personskador.

### MASKINANVÄNDNING OCH SKÖTSEL

- **Håll handtagen och greppytorna torra, rena och fria från olja och fett.** Hala handtag och greppytor förhindrar säker hantering och kontroll av maskinen vid oväntade situationer.

### ANVÄNDNING OCH SKÖTSEL AV BATTERIMASKINEN

- **Ladda endast med den laddare som rekommenderas av tillverkaren.** En laddare som är lämplig för en typ av batteripaket kan skapa en risk för brand när den används med ett annat batteripaket.
- **Använd endast maskiner med specifikt designade batteripaket.** Användning av andra batteripaket kan medföra risk för personskador och eld.
- **När batteripaketet inte används, håll det borta från metallobjekt som t.ex. pappersgem, mynt, nycklar, spikar, skruvar och andra små metallobjekt som kan bilda en anslutning från en batterikontakt till den andra.** Kortslutning av batteriets terminaler kan orsaka brännskador eller en brand.
- **Under olämpliga förhållanden kan vätska spruta ut från batteriet. Undvik kontakt. Vid oavsiktlig kontakt, spola med vatten. Om vätskan kommer i kontakt med ögonen, sök också läkarhjälp.** Vätska som sprutar ur batteriet kan orsaka sveda och brännskador.
- **Använd inte ett batteripaket eller maskin som skadats eller modifierats.** Skadade eller modifierade batterier kan leda till oförutsägbart uppträdande som leder till brand, explosion eller risk för personskador.
- **Utsätt inte batteripaketet eller maskinen för eld eller extrema temperaturer.** Exponering av eld eller temperaturer över 130 °C kan orsaka explosion.
- **Följ alla laddningsinstruktioner och ladda inte batteripaketet eller maskinen utanför det temperaturområde som anges i instruktionerna.** Felaktig laddning eller vid temperaturer utanför angivet temperaturområde kan skada batteriet och ökar risken för brand.

### SERVICE

- **Lämna in din maskin för service hos en kvalificerad servicetekniker som endast använder identiska utbytesdelar.** Det säkerställer att maskinens

säkerhet bibehålls.

- **Utför aldrig service på skadade batteripaket.** Service av batteripaket bör endast utföras av tillverkaren eller auktoriserade serviceverkstäder.

## SÄKERHETSVARNINGAR FÖR BLUETOOTH-HÖGTALARE FÖR UTMOMHUSBRUK

- För att minska risken för brand eller elektriska stötar får apparaten inte utsättas för regn eller fukt. Får endast användas på torra platser.
- Använd endast denna apparat i ett väl ventilerat utrymme.
- Läs dessa instruktioner.
- Beakta alla varningar.
- Följ alla instruktioner.
- Använd inte denna apparat i närheten av vatten.
- Rengör endast med en torr trasa.
- Blockera inte några ventilationsöppningar. Installera i enlighet med tillverkarens anvisningar.
- Installera inte i närheten av värmekällor som t.ex. radiatorer, värmeregister, spisar eller andra apparater (inklusive förstärkare) som avger värme.
- Använd endast tillsatser/tillbehör som specificerats av tillverkaren.
- Använd endast med den vagn, stativ, stativ, fäste eller bord som specificerats av tillverkaren eller som säljs tillsammans med apparaten. När en vagn används, var försiktig när du flyttar kombinationen vagn/apparat för att undvika skador på grund av att den välter.
- Låt kvalificerad servicepersonal utföra all service. Service krävs om apparaten har skadats på något sätt, t.ex. om nätsladden eller kontakten är skadad, om vätska har spillts ut eller föremål har fallit in i apparaten, om apparaten har utsatts för regn eller fukt, om den inte fungerar normalt eller om den har tappats. Service och underhåll som utföras av en kvalificerad person kan resultera i risk för personskador.
- En batteridrivna apparat med inbyggda batterier eller ett separat batteripaket får endast laddas med den specificerade laddaren för batteriet. En laddare som är lämplig för en typ av batteripaket kan resultera i brand när den används med ett annat batteripaket.
- Demontera aldrig apparaten och försök aldrig att koppla om apparatens elsystem.
- Underhåll apparaten. Kontrollera att inga delar är felaktigt monterade eller trasiga eller att något annat förhållande föreligger som kan påverka apparatens

**funktion. Om apparaten är skadad ska den repareras före användning. Använd apparaten och tillsatser osv. i enlighet med dessa instruktioner och ta hänsyn till arbetsförhållanden och det arbete som ska utföras.** Om apparaten används för andra arbeten än det är avsett för kan det resultera i farliga situationer.

- Håll apparaten borta från andra metallföremål, t.ex. gem, mynt, nycklar, spikar, skruvar eller andra små metallföremål som kan skapa en anslutning från en terminal till en annan. Kortslutning av batteriets terminaler kan orsaka brännskador eller en brand.
- Använd inte apparaten om den har tappats eller utsatts för ett kraftigt slag. En skadad apparat ökar risken för brand.
- Kassera ett använt batteri omedelbart. Förvara utom räckhåll för barn. Får inte demonteras och inte kastas i eld.
- Får endast användas med specificerade batteripaket och laddare.

**Spara dessa instruktioner.** Läs igenom dem regelbundet och använd dem för att instruera andra som kan komma att använda denna maskin. Om du lånar ut denna maskin till någon, se även till att låna ut dessa instruktioner för att förhindra felaktig användning och eventuella personskador.

SE

## SPECIFIKATIONER

Spänning	56 V
Spänning för AC strömadapter	100-240 V~ 50/60 Hz
Uteffekt	180 W
Förstärkarens uteffekt	Bashögtalare: 80W x1
	Diskanthögtalare: 10W x 2
	Mitthögtalare: 40W x 2
AUX uttag	3,5 mm
USB-A-utgång	5 V, 2 A
USB-C-ingång/utgång	DC5V 3A / DC9V 3A / DC12V 3A / DC15V 3A / DC20V 5A
Bluetooth® område	> 55 m
Vikt (utan batteripaket)	7,7 kg
Rekommenderad drifttemperatur	-15 °C - 40 °C
Rekommenderad förvaringstemperatur	-20 °C - 70 °C
Klassificering av inträngningsskydd	IP54* (Skydd mot damm och stänkande vatten)

\* **NOTERA:** IP54-betyg baseras på apparaten.

## PACKLISTA (BILD A1)

## BESKRIVNING

### LÄR KÄNNA DIN BLUETOOTH-HÖGTALARE FÖR UTMOMHUSBRUK (bild A1)

1. Handtag
2. Kontrollpanel
3. Batterilåsknapp
4. Pulserande ljus

5. Gummiskydd
6. AUX uttag
7. USB-A-utgångsuttag
8. USB-C ingångs-/utgångsuttag
9. Laddningsindikator
10. Strömbrytare
11. Bluetooth-knapp
12. Länknapp
13. Volym ned-knapp
14. Volym upp-knapp
15. Spela-/Paus-knapp
16. Bas upp-knapp

## DRIFT

### ANVÄNDNING

Du kan använda denna produkt för de tillämpningar som listas nedan:

- Ljuduppspelning från enheter trådlöst anslutna eller via och AUX-kabel.

### FÄST/TA LOSS BATTERIPAKETET

Använd endast EGO:s batteripaket och laddare som listas i bild A2.

Se motsvarande batteripaket och laddarmanualer för mer information.

### Ladda fullt innan första användning.

**NOTERA:** Ett ljud kommer att påminna när laddningen av batteripaketet är låg.

### Fästa

Rikta in listerna på batteriet med monteringsspåren och tryck sedan ner batteripaketet tills du hör ett "klick" (bild B1).

### Ta bort

Tryck in låsknappen för batteriet och dra sedan ut batteripaketet (bild B2).

**⚠ VARNING:** Var alltid noga med att se var du har dina fötter, barn eller husdjur när du trycker in låsknappen för batteriet. Allvarliga personskador kan inträffa om batteripaketet tappas. Ta ALDRIG ut batteripaketet när du är på en hög plats.

B1-1	Monteringsspår	B1-2	List
------	----------------	------	------



B1-3	Batterilåsknapp		
------	-----------------	--	--

### ANVÄNDNING AV AC STRÖMADAPTER (INGÅR INTE)

Nätadaptorn medföljer inte vid leverans. Adapter och laddningskabel som överensstämmer med PD-protokollet och som är större än 60W kan användas som strömadapter.

**NOTERA:** När du använder enbart nätadaptorn kan ljudkvaliteten och volymen på musiken påverkas.

Öppna gummikåpan och sätt in nätadaptorns kontakt i USB-C-ingångs-/utgångsporten på högtalarens baksida. Koppla in adaptorn i ett standardvägguttag (bild C1).

När adaptorn används kopplas automatiskt batteripaketet ifrån. Den lilla punktlampan ovanför laddningsindikatorn blinkar vitt. När batteripaketet är fulladdat lyser den lilla punktlampan fast vitt. När den lilla punktlampan lyser fast rött betyder det att batteripaketet är felaktigt (bild C2).

Nätkabels kontakt ska kopplas bort från eluttaget när den inte används.

**NOTERA:** Batteripaketet och USB-enheter såsom mobiltelefoner, MP3-spelare etc. som är anslutna till USB-A strömouttag kan laddas när nätkabeln är ansluten.

**UPPMÄRKSAMMA:** Stäng alltid gummiskyddet efter varje användning för att skydda portarna från damm, smuts och fukt.

C1-1	AC strömadapter	C1-2	USB-C ingångs-/utgångsuttag
C1-3	Gummiskydd	C2-1	Liten prick
C2-2	Laddningsindikator		

### SLÅ PÅ OCH STÄNGA AV HÖGTALAREN (bild D)

Tryck kort på strömbrytaren, högtalaren slås på och strömbrytarens lampa förblir tänd och ett ljud kommer att meddela anslutningen.

Stäng av högtalaren genom en kort tryckning på strömbrytaren. Ett ljud kommer att meddela fränkopplingen.

**NOTERA:** högtalaren stängs av automatiskt efter 20 minuter, om det inte spelas någon musik eller ingen utmatning från USB-A- eller USB-C-portarna.

D-1	Strömbrytare
-----	--------------

### BLUETOOTH® DRIFTLÄGE (bild E)

När du har slagit på högtalaren kommer Bluetooth® parkopplingen automatiskt att slås på, vilket indikeras av den vita blinkande Bluetooth® -knappen.

- Aktivera Bluetooth® funktionen på enheten som skall anslutas (smartphone eller liknande) och välj "EGO SK1800E" som mål för Bluetooth®-anslutningen på din enhet.
- Ett ljud kommer att meddela anslutningen och Bluetooth® -knappen förblir upplyst efter att en enhet har anslutits.

**NOTERA:** Om den tidigare har parkopplats till den önskade enheten kommer högtalaren automatiskt att återansluta till samma enhet när högtalaren slås på.

**NOTERA:** Om högtalaren plötsligt inte har något ljud eller spelar upp annat medialjud betyder det att den andra anslutna enheten har tagit över kontrollen över högtalaren och poppat upp en tyst reklam eller spelar en låt.

Bluetooth® parkopplingsläget kommer bara att vara aktivt i 3 minuter och stängs av automatiskt om ingen enhet är ansluten/parad.

Tryck kort på Bluetooth®-knappen, Bluetooth®-knappen blinka för att indikera att en enhet kan anslutas.

Två enheter kan anslutas till högtalaren via Bluetooth® samtidigt.

- När den första enheten är ansluten, tryck på Bluetooth® -knappen tills den börjar blinka.
- När Bluetooth® -knappen börjar blinka, välj "EGO SK1800E" på den andra enheten och anslut den till högtalaren. När anslutningen har lyckats kommer det att visas ett röstmeddelande om att den andra enheten har anslutits.

**NOTERA:** Om det finns ett uppspelningsproblem, starta om högtalaren.

**Så här kopplar du ifrån Bluetooth® enheten:** Tryck på och håll kvar Bluetooth® -knappen i mer än 2 sekunder eller koppla bort högtalaren på din enhet.

E-1	Bluetooth® knapp
-----	------------------

### ATT ANSLUTA FLERA SK1800E ENHETER MED LÄNK (bild F1, F2)

Upp till 100 st SK1800E-högtalare kan anslutas via länken.

Slå på högtalarna och se till att en av högtalarna är ansluten till en enhet via Bluetooth.

SE

Högtalaren som är ansluten till enheten fungerar som "värdenhet" och kan styra uppspelning (volym, uppspelning/paus, etc.).

**NOTERA:** När volymen har justerats på "värd"-enheten, justeras andra anslutna högtalare omedelbart till samma volymnivå som "värd"-enheten.

Tryck och håll ner länknappen i mer än 2 sekunder på "värden" och den sekundära högtalaren. När den anslutna högtalaren spelar musiken från "värdenheten", betyder det att de två högtalarna automatiskt länkas till varandra.

**NOTERA:** Om du senare vill ansluta till den tredje eller nittionio högtalaren behöver du bara trycka och hålla ned LINK-knappen i mer än 2 sekunder på de ytterligare högtalarna.

Avståndet mellan de två sammanlänkade högtalarna får inte överstiga 40 meter i ett öppet fält.

Tryck och håll ner länknappen i mer än 2 sekunder på "värd"-enheten eller stäng kort av de andra högtalarna för att koppla bort LINK-systemet.

Förutom att ansluta flera högtalare kan länknappen även styra andningsluset. Tryck på LINK-knappen för att slå på eller stänga av andningsluset. När det inte spelas någon musik kommer det pulserande ljuset gradvis att dämpas till helt släckt och sedan gradvis återgå till maximal ljusstyrka.

F1-1	Länknapp	F2-1	Pulserande ljus
------	----------	------	-----------------

## INSTÄLLNING AV VOLYMEN (bild G)

Högtalaren har 16 volymnivåer.

- För att sänka volymen, tryck på "-"-knappen en gång för att minska volymen med en nivå.
- Tryck och håll ned "-"-knappen för att minska volymen gradvis. Du kan sluta trycka på "-"-knappen när volymen når önskad volym.
- För att öka volymen, tryck på "+"-knappen en gång för att öka volymen med en nivå.
- Tryck och håll ned "+"-knappen för att öka volymen gradvis. Du kan sluta trycka på "+"-knappen när volymen når önskad volym.

Volymjusteringen kan inte bara justera högtalarvolymen, utan kan också justera volymen på enheten.

**NOTERA:** När volymen justeras till max kommer ett ljud att meddela att det har nått den maximala volymen.

G-1	Volym ned och upp-knapp
-----	-------------------------

## SPELA/PAUS (bild H)

För att starta eller pausa musiken.

Tryck snabbt två gånger på spela-/pausknappen för att gå till nästa spår/fil.

H-1	Spela-/Paus-knapp
-----	-------------------

## BAS UPP (bild I)

- Tryck på bas upp-knappen för att förstärka basen. Bas upp-knappen förblir upplyst för att indikera att basen förstärks.
- Tryck på bas upp-knappen igen för att återställa basen till normal nivå. Lampan för bas upp släcks.

I-1	Bas upp-knapp
-----	---------------

## AUX DRIFTLÄGE (bild J)

Öppna gummikåpan, sätt i AUX-kabeln (ingår ej) i AUX-porten och se till att den är ordentligt ansluten.

Anslut den externa musikkällan (MP3-spelare eller liknande) till den andra änden av AUX-kabeln.

Slå på den externa musikkällan och starta uppspelningen.

Koppla bort AUX-kabeln när uppspelningen är klar.

**NOTERA:** Batterier i den anslutna enheten kan inte laddas via AUX-anslutningen.

**NOTERA:** När högtalaren är avstängd är inte anslutna enheter automatiskt avstängda.

J-1	AUX uttag	J-2	USB-A-utgångsuttag
J-3	Gummiskydd	J-4	USB-C ingångs-/utgångsuttag

## USB-STRÖMUTTAG (bild J)

När ett batteri är installerat eller högtalaren är ansluten till strömadaptern och högtalaren är påslagen, kommer USB-porten A och USB-C ingående/utgående portarna att leverera laddningsström för enheter med låg strömförbrukning, t.ex. mobiltelefoner, MP3-spelare etc. Koppla omedelbart bort USB-enheten efter laddning.

**NOTERA:** USB-A-utgångsporten kan inte användas för ljuduppspelning. Ljuduppspelning är endast möjlig via Bluetooth eller AUX-anslutning.

**UPPMÄRKSAMMA:** Stäng alltid gummiskyddet efter varje användning för att skydda portarna från damm, smuts och fukt.

## UNDERHÅLL

**⚠ VARNING:** Vid service ska enbart identiska utbyteskomponenter användas. Användning av andra delar kan skapa risker eller orsaka produktskador. För att garantera en säker och pålitlig användning måste alla reparationer utföras av en kvalificerad servicetekniker.

**⚠ VARNING:** För att undvika allvarliga personskador, ta alltid ut batteripaketet ur produkten vid rengöring eller underhåll.

### ALLMÄNT UNDERHÅLL

Använd inte lösningsmedel när du rengör plastdelarna. De flesta plaster är känsliga för skador från olika typer av kommersiella lösningsmedel och kan skadas av dess användning. Använd en ren trasa för att ta bort smuts, damm, olja, fett osv.

**⚠ VARNING:** Låt aldrig bromsvätska, bensin, petroleumbaserade produkter, smörjfett osv. komma i kontakt med plastdelarna. Kemikalier kan skada, försvaga eller förstöra plast, vilket kan resultera i allvarliga personskador.

**⚠ VARNING:** För att minska risken för brand, personskador och produktskador på grund av kortslutning får du aldrig sänka ned maskinen, batteriet eller laddaren i vätska eller låta vätska rinna inuti dem. Frätande eller ledande vätskor, t.ex. havsvatten, vissa industrikemikalier, blekmedel eller produkter som innehåller blekmedel, etc., kan orsaka kortslutning.

### FÖRVARING

1. Ta ut batteripaketet från högtalaren.
2. Rengör högtalaren från allt främmande material.
3. Förvara högtalaren på en torr, välventilerad plats, utom räckhåll för barn. Förvara inte högtalaren på eller i anslutning till gödningsmedel, bensin eller andra kemikalier.

## SKYDDA MILJÖN



Kasta inte elektrisk utrustning, använt batteri och laddare i hushållssoporna! Ta denna produkt till en auktoriserad återvinnare och gör den tillgänglig för separat insamling. Elektriska verktyg måste returneras till en miljöanpassad återvinningsanläggning.

SE

**FELSÖKNING**

PROBLEM	ORSAK	LÖSNING
Högtalaren fungerar inte.	<ul style="list-style-type: none"><li>■ Batteripaketet är inte monterat på högtalaren</li><li>■ Det finns ingen elektrisk kontakt mellan högtalaren och batteriet.</li><li>■ Batteripaketets laddning är slut.</li><li>■ Batteripaketet är alltför varmt.</li></ul>	<ul style="list-style-type: none"><li>■ Sätt fast batteripaketet på högtalaren.</li><li>■ Ta bort batteripaketet, kontrollera kontakterna och sätt tillbaka batteripaketet.</li><li>■ Ladda batteripaketet.</li><li>■ Låt batteripaketet svalna tills dess temperatur sjunker under 67°C.</li></ul>
<b>SE</b> Högtalaren kan inte parkopplas ordentligt med en Bluetooth-enhet.	<ul style="list-style-type: none"><li>■ Utanför Bluetooth-parkopplingsområde.</li></ul>	<ul style="list-style-type: none"><li>■ Flytta enheten närmare högtalaren.</li></ul>

**GARANTI****EGO GARANTIPOLICY**

Besök webbsidan [egopowerplus.eu](http://egopowerplus.eu) för fullständiga villkor för EGO garantipolicy.

## LUE KAIKKI OHJEET!



### LUE KÄYTTÖOPAS

**VAROITUS:** Pätevän huoltoteknikon tulee suorittaa kaikki korjaukset, jotta voidaan taata tuotteen turvallinen ja luotettava käyttö.

## TURVALLISUUSYMBOLIT

Turvallisuussymbolien tarkoituksena on kiinnittää huomiota mahdollisiin vaaroihin. Turvallisuussymbolit ja niiden selitykset on syytä lukea tarkkaan ja ymmärtää perusteellisesti. Varoitussymbolit eivät yksin poista vaaran mahdollisuutta. Niiden antamat ohjeet ja varoitukset eivät korvaa kunnollisia onnettomuuksien ehkäisymenpiteitä.

**VAROITUS:** Lue ja ymmärrä tämän käyttöoppaan kaikki turvallisuusohjeet, mukaan lukien turvallisuusvaroitussymbolit, kuten "VAARA", "VAROITUS" ja "HUOMIO" ennen koneen käyttämistä. Alla olevien ohjeiden noudattamatta jättäminen saattaa aiheuttaa sähköiskun, tulipalon ja/tai vakavan henkilövahingon.

## TURVALLISUUSOHJEET

Tällä sivulla kuvataan ja esitellään turvallisuussymbolit, jotka saattavat esiintyä tässä tuotteessa. Lue, ymmärrä ja noudata kaikkia laitteen ohjeita ennen kuin yrität koota sen tai käyttää sitä.



Turvallisuushälytys



Käyttäjän on luettava käyttöopas loukkaantumisvaaran vähentämiseksi.



Bluetooth®



Vanhoja sähkölaitteita ei saa hävittää kotitalousjätteen mukana. Vie valtuutettuun kierrätyslaitokseen.



Tämä tuote vastaa sovellettavia EU-direktiivejä.



UK Vaatimustenmukaisuus arvioitu



Tasavirta

W Wattia

Hz Hertsiä

m Metri

V Jännite

kg Kilogramma

°C Celsius

mm Millimetri

FI

## YLEISET KONEEN TURVALLISUUSVAROITUKSET

**VAROITUS: LUE KAIKKI TÄMÄN KONEEN MUKANA TULLEET TURVALLISUUSVAROITUKSET, OHJEET, PIIRUSTUKSET JA TEKNISET TIEDOT.** Jos kaikkia alla olevia ohjeita ei noudateta, seurauksena saattaa olla sähköisku, tulipalo ja/tai vakava loukkaantuminen.

### SÄILYTÄ KAIKKI VAROITUKSET JA OHJEET MYÖHEMPÄÄ KÄYTTÖÄ VARTEN.

#### TYÖALUEEN TURVALLISUUS

- Pidä työskentelyalue siistinä ja hyvin valaistuna. Sotkuiset tai pimeät alueet aiheuttavat onnettomuuksia.
- Älä käytä koneita räjähdysriskissä ympäristössä, kuten esimerkiksi syttyvien nesteiden, bensiinin tai pölyjen lähellä. Koneet saattavat aiheuttaa kipinöitä, jotka voivat sytyttää pölyn tai höyryt.
- Älä päästä lapsia tai sivullisia lähelle, kun käytät konetta. Häiriötekijät voivat aiheuttaa hallinnan menettämisen.

#### SÄHKÖTURVALLISUUS

- Koneen pistokkeiden on vastattava pistorasiaa. Älä ikinä muokkaa pistotulppaa millään tavalla. Älä käytä minkäänlaisia sovittipistokkeita maadoitettujen koneiden kanssa. Muokkaamattomat pistokkeet ja niihin sopivat pistorasiat vähentävät sähköiskun vaaraa.
- Vältä koskemasta vartalollasi maadoitettuihin pintoihin, kuten putkiin, lämmityspattereihin, liesiin ja jääkaappeihin. Sähköiskun riski kasvaa, jos kehosi on maadoitettu.
- Älä väärinkäytä johtoa. Älä ikinä käytä johtoa koneen kantamiseen, vetämiseen tai pistokkeen irrottamiseen. Pidä johto poissa tulen, öljyn, terävien reunojen tai liikkuvien osien läheltä. Vahingoittuneet tai sokeutuneet johdot lisäävät sähköiskun vaaraa.
- Kun käytät kaiutinta ulkona, käytä ulkokäyttöön soveltuvaa jatkojohtoa. Ulkokäyttöön tarkoitettujen johdon käyttö vähentää sähköiskun vaaraa.
- Jos et voi välttää sähkötyökoneen käyttöä kosteissa olosuhteissa, käytä vikavirtasuojakytkimellä varustettua pistorasiaa. Vikavirtasuojakytkimen käyttö vähentää sähköiskuriskiä.

#### HENKILÖKOHTAINEN TURVALLISUUS

# 78

56 V LITIUM-IONIAKULLA TOIMIVA BLUETOOTH-KAIUTIN ULKOKÄYTTÖÖN — SK1800E

- Ole valpas, tarkkaavainen ja käytä maalaisjärkeä, kun käytät konetta. Älä käytä konetta, kun olet väsynyt tai kun olet huumeiden, alkoholin tai lääkityksen vaikutuksen alaisena. Hetkellinenkin huomion herpaantuminen koneita käytettäessä saattaa aiheuttaa vakavan henkilövahingon.

#### KONEEN KÄYTTÖ JA HOITO

- Pidä kahvat ja tartuntapinnat kuivina, puhtaina, öljyttöminä ja rasvattomina. Liukkaat kahvat ja tartuntapinnat eivät mahdollista koneen turvallista käsittelyä ja hallintaa odottamattomissa tilanteissa.

#### AKKUKÄYTTÖISEN KONEEN KÄYTTÖ JA HOITO

- Lataa vain valmistajan määrittelemällä laturilla. Laturi, joka sopii yhdenyppiselle akulle voi aiheuttaa tulipalovaaran, jos sitä käytetään toisenlaisen akun kanssa.
- Käytä koneissa vain erityisesti niihin tarkoitettuja akkuja. Muunlaisten akkujen käyttö saattaa aiheuttaa henkilövahingon tai tulipalon vaaran.
- Kun akku ei ole käytössä, pidä se erillään metalliesineistä, kuten paperiliittimet, kolikot, avaimet, naulat, ruuvit ja muut pienet metalliesineet, jotka voivat yhdistää akun navat toisiinsa. Akun napojen oikosulku voi aiheuttaa palovammoja tai tulipalon.
- Akusta voi valua nestettä väärästä käytöstä johtuen. Vältä kosketusta nesteeseen. Jos kosket nesteeseen vahingossa, huuhtelee vedellä. Jos nestettä pääsee silmiin, hakeudu lääkärin hoitoon. Akusta valuva neste voi aiheuttaa ärsytystä tai palovammoja.
- Älä käytä akkua tai konetta, joka on vaurioitunut tai jota on muutettu. Vaurioituneet tai muutetut akut voivat käyttäytyä arvaamattomasti ja aiheuttaa tulipalon, räjähdysriskin tai henkilövahingon vaaran.
- Älä altista akkua tai konetta tullelle tai äärimmäisille lämpötiloille. Altistaminen tullelle tai yli 130 °C:n lämpötilalle voi aiheuttaa räjähdysriskin.
- Noudata kaikkia latausohjeita, äläkä lataa akkua tai konetta lämpötilassa, joka ei ole ohjeissa ilmoitetun lämpötila-alueen sisällä. Virheellinen lataaminen tai lataaminen ilmoitetun lämpötila-alueen ulkopuolella olevassa lämpötilassa voi vaurioittaa akkua ja lisätä palovaaraa.

#### HUOLTO

- Huollata kone asiantuntevalla korjaajalla, joka käyttää vain identtisiä varaosia. Tällä varmistetaan, että koneen turvallisuus säilyy.

- **Älä koskaan huolla vaurioituneita akkuja.** Akkujen huollon saa tehdä vain valmistaja tai sen valtuuttamat huoltoliikkeet.

#### TURVALLISUUSVAROITUKSET ULKOKÄYTTÖÖN TARKOITETULLE BLUETOOTH-KAIUTTIMELLE

- **Tulipalo- tai sähköiskuvaaran pienentämiseksi älä altista laitetta sateelle tai kosteudelle.** Käytä vain kuivissa paikoissa.
- Käytä tätä laitetta vain hyvin ilmastoidussa tilassa.
- Lue nämä ohjeet.
- Noudata kaikkia varoituksia.
- Noudata kaikkia ohjeita.
- **Älä käytä tätä laitetta lähellä vettä.**
- Puhdista vain kuivalla liinalla.
- **Älä estä tuuletusaukkoja.** Asenna valmistajan ohjeiden mukaisesti.
- **Älä asenna lähelle lämmönlähteitä, kuten lämpöpattereita, lämpöpaneelija, uuneja tai muita laitteita (mukaan lukien vahvistimia), jotka tuottavat lämpöä.**
- Käytä vain valmistajan määrittelemiä lisälaitteita/lisävarusteita.
- Käytä vain valmistajan määrittelemän tai laitteen mukana myydyin kääryn, jalustan, kolmijalan, telineen tai pöydän kanssa. Kun käytät kääryä, ole varovainen siirtäessäsi kääryä/laiteyhdistelmää kaatumisen aiheuttamien vammojen välttämiseksi.
- **Jätä kaikki huollot pätevälle huoltohenkilöstölle.** Laitte on huollettava, mikäli se on rikkoutunut jollakin tavalla, kuten sen virtajohto tai pistoke on vioittunut, sen päälle on kaatunut nesteitä tai sen sisälle on pudonnut esineitä, laite on altistunut sateelle tai kosteudelle, se ei toimi normaalisti tai se on pudonnut. Muun kuin pätevän henkilöstön tekemät kunnossapito- tai huoltotyöt saattavat aiheuttaa loukkaantumisvaaran.
- **Akkukäyttöisen laitteen, jossa on kiinteät akut tai erillinen akku, saa ladata vain akulle määritellyllä laturilla.** Laturi, joka sopii yhdentyyppiselle akulle, voi aiheuttaa tulipalovaaran, jos sitä käytetään toisenlaisen akun kanssa.
- **Älä koskaan pura laitetta tai yritä tehdä uudelleen johdotusta laitteen sähköjärjestelmään.**
- **Huolehdi laitteen kunnossapidosta.** Tarkista virheellinen kohdistus, osien ehjyys sekä kaikki muut tilat, jotka voivat vaikuttaa laitteen toimintaan. Jos se on vaurioitunut, korjaa laite ennen käyttöä. Käytä laitetta näiden ohjeiden mukaisesti ja niin, että otat huomioon

**käyttöolosuhteet ja tehtävän työn.** Laitteen käyttö muuhun kuin sille suunniteltuun tarkoitukseen saattaa aiheuttaa vaaratilanteen.

- **Säilytä laite poissa metalliesineiden, kuten paperiliitinten, kolikoiden, avainten, nauhojen, ruuvien tai muiden pienten metalliesineiden, läheltä, jotka voivat yhdistää navat toisinsa.** Napojen oikosulku voi aiheuttaa palovammoja tai tulipalon.
- **Älä käytä laitetta, jos se on pudonnut tai jos siihen on kohdistunut voimakas isku.** Vaurioitunut laite lisää tulipalovaaraa.
- Hävitä käytetty akku viipymättä. Pidä poissa lasten ulottuvilta. Älä pura, äläkä hävitä tuleen.
- **Käytä vain määritettyjen akkujen ja latureiden kanssa.**

**Säilytä nämä ohjeet.** Lue ohjeet säännöllisesti ja käytä niitä muiden koneen käyttäjien ohjeistamisessa. Jos lainaat tämän koneen jollekulle muulle, lainaa samalla myös nämä ohjeet tuotteen väärinkäytön ja mahdollisen henkilövahingon estämiseksi.

#### TEKNISET TIEDOT

Jännite	56 V
Vaihtovirtasovittimen jännite	100–240 V~, 50/60 Hz
Lähtöteho	180 W
Vahvistimen ulostuloteho	Bassokaiutin: 80 W x 1
	Diskanttikaiutin: 10 W x 2
	Keskikaiutin: 40 W x 2
AUX-portti	3,5 mm
USB-A-lähtö	5 V, 2 A
USB-C-tulo/-lähtö	DC5V 3A / DC9V 3A / DC12V 3A / DC15V 3A / DC20V 5A
Bluetooth®-kantama	> 55 m
Paino (ilman akkuja)	7,7 kg
Suosittelua käyttölämpötila	-15–40 °C
Suosittelua säilytyslämpötila	-20–70 °C
IP-suojaluokitus	IP54* (Suojaus pölyltä ja roiskevedeltä)

\*HUOMAA: IP54-luokitus perustuu laitteeseen.

## PAKAUSLUETTELO (KUVA A1)

### KUVAUS

#### TUNNE BLUETOOTH-KAIUTTIMESI ULKOKÄYTTÖÖN (kuva A1)

1. Kahva
2. Käyttöpaneeli
3. Akun vapautuspainike
4. Hengittävä valo
5. Kumisuojaus
6. AUX-portti
7. USB-A-lähtöportti
8. USB-C-tulo-/lähtöportti
9. Latauksen ilmaisin
10. Päälle-/pois-painike
11. Bluetooth-painike
12. Linkityspainike
13. Äänenvoimakkuuden vähennyspainike
14. Äänenvoimakkuuden lisäspainike
15. Toisto-/taukopainike
16. Basson lisäspainike

FI

### KÄYTTÖ

#### KÄYTTÄMINEN

Tätä laitetta voi käyttää seuraavassa mainittuihin tarkoituksiin:

- Äänentoisto laitteista, jotka on yhdistetty langattomasti tai AUX-kaapelilla.

#### AKUN LIITTÄMINEN/POISTAMINEN

Käytä vain EGO:n akkuja ja latureita, jotka on lueteltu alla kuvassa A2.

Lisätietoja on vastaavien akkujen ja latureiden käyttöohjeissa.

#### Lataa täyteen ennen ensimmäistä käyttökertaa.

**HUOMAA:** Merkkiäni muistuttaa, kun akun varaus on vähissä.

#### Liittäminen

Kohdista akun ulokkeet kiinnitysaukkoihin ja paina akkua alaspäin, kunnes kuulet ”napsahduksen” (kuva B1).

#### Poistaminen

Paina akun vapautuspainiketta ja vedä akku ulos (kuva B2).

**VAROITUS:** Huomioi aina, missä omat jalkasi, lapset tai lemmikit ovat, kun painat akun vapautuspainiketta. Jos akku putoaa, se voi aiheuttaa vakavan vamman. Älä IKINÄ poista akkua, jos se sijaitsee korkealla.

B1-1	Kiinnitysaukko	B1-2	Uloke
B1-3	Akun vapautuspainike		

#### VAIHTOVIRTASOVITTIMEN KÄYTTÖ (EI MUKANA)

Vaihtovirtasovitin ei sisälly toimitukseen. PD-protokollan mukaista ja yli 60 W:n sovittinta ja latauskaapelia voidaan käyttää virtasovittimena.

**HUOMAA:** Pelkästään vaihtovirtasovittimen käyttäminen voi vaikuttaa musiikin äänenlaatuun ja äänenvoimakkuuteen.

Avaa kumisuojaus ja työnnä vaihtovirtasovittimen liitin kaiuttimen takana olevaan USB-C-tulo-/lähtöporttiin. Yhdistä sovitin vakiomalliseen seinäpistorasiaan (kuva C1).

Asetettu akku latautuu automaattisesti aina, kun vaihtovirtasovitin on liitetty. Latauksen ilmaisimen yläpuolella oleva pieni pistevalo vilkkuu valkoisena. Kun akku on ladattu täyteen, pieni pistevalo palaa tasaisen valkoisena. Kun pieni pistevalo palaa tasaisen punaisena, se tarkoittaa sitä, että akku on viallinen (kuva C2).

Vaihtovirtasovitin on irrotettava pistorasiasta, kun sitä ei käytetä.

**HUOMAA:** USB-A-lähtöporttiin liitetty akku ja USB-laitteet, kuten matkapuhelimet, MP3-soittimet jne., voidaan ladata, kun vaihtovirtasovitin on kytketty.

**HUOMAUTUS:** Sulje kumisuojaus aina jokaisen käyttökerran jälkeen suojataksesi portit pölyltä, liialta ja kosteudelta.

C1-1	Vaihtovirtasovitin	C1-2	USB-C-tulo-/lähtöportti
C1-3	Kumisuojaus	C2-1	Pieni piste
C2-2	Latauksen ilmaisin		



## KAIUTTIMEN KYTKEMINEN PÄÄLLE JA POIS PÄÄLTÄ (kuva D)

Paina lyhyesti Päälle-/pois-painiketta, kaiutin kytketty päälle ja Päälle-/pois-painikkeen valo jää palamaan ja merkkiäänä ilmoittaa yhteyden muodostumisesta.

Jos haluat kytkeä kaiuttimen pois päältä, paina Päälle-/pois-painiketta uudelleen. Merkkiäänä ilmoittaa yhteyden katkeamisesta.

**HUOMAA:** kaiutin sammuu automaattisesti 20 minuutin kuluttua, jos musiikkia ei toisteta tai USB-A- tai USB-C-porteista ei ole ulostuloa.

D-1	Päälle-/pois-painike
-----	----------------------

## BLUETOOTH®-TOIMINTATILA (kuva E)

Kun kytket kaiuttimen päälle, Bluetooth® -pariliitos kytketty automaattisesti päälle, minkä osoittaa valkoisena vilkkuva Bluetooth®-painike.

- Aktivoi yhdistettävän laitteen (matkapuhelin tai vastaava) Bluetooth®-toiminto ja valitse laitteestasi "EGO SK1800E" Bluetooth®-yhteyden kohdelaitteeksi.
- Merkkiäänä ilmoittaa yhteyden muodostumisesta ja Bluetooth®-painike jää palamaan, kun laite on yhdistetty onnistuneesti.

**HUOMAA:** Jos kaiutin on aiemmin liitetty pariiksi haluttuun laitteeseen, se muodostaa automaattisesti yhteyden samaan laitteeseen, kun kaiutin kytketään päälle.

**HUOMAA:** Jos kaiuttimesta ei yhtäkkiä kuulu ääntä tai se toistaa muuta mediaääntä, se tarkoittaa, että toinen kytketty laite on ottanut kaiuttimen hallinnan ja se on näyttänyt äänettömän mainoksen tai toistaa kappaletta.

Bluetooth®-pariliitostila on aktiivinen vain 3 minuuttia ja sammuu automaattisesti, jos mitään laitetta ei ole yhdistetty / liitetty pariiksi.

Paina lyhyesti Bluetooth®-painiketta, samalla Bluetooth®-painike alkaa vilkkua ilmaisten, että laite voidaan yhdistää.

Kaksi laitetta voidaan yhdistää kaiuttimeen samanaikaisesti Bluetooth®-yhteyden kautta.

- Kun ensimmäinen laite on yhdistetty, paina Bluetooth®-painiketta, kunnes se alkaa vilkkua.
- Kun Bluetooth®-painike alkaa vilkkua, valitse "EGO SK1800E" toisesta laitteesta ja yhdistä se kaiuttimeen. Kun yhteys on muodostettu, kuuluu ääni-ilmoitus siitä, että toinen laite on yhdistetty.

**HUOMAA:** Jos toistossa on ongelmia, käynnistä kaiutin uudelleen.

**Bluetooth®-laitteen irrottaminen:** Pidä Bluetooth®-painiketta painettuna yli 2 sekuntia tai irrota kaiutin laitteestasi.

E-1	Bluetooth®-painike
-----	--------------------

## USEIDEN SK1800E-LAITTEIDEN YHDISTÄMINEN LINKITYKSEN KAUTTA (kuva F1, F2)

Linkityksen avulla voidaan yhdistää jopa 100 kpl SK1800E-kaiuttimia.

Kytke kaiuttimet päälle ja varmista, että yksi kaiuttimista on yhdistetty laitteeseen Bluetoothiin kautta.

Laitteeseen yhdistetty kaiutin toimii "isäntäyksikkönä" ja voi ohjata toistoa (äänenvoimakkuutta, toistoa/taukoa jne.).

**HUOMAA:** Kun äänenvoimakkuus on säädetty "isäntäyksikköissä", muut yhdistetyt kaiuttimet siirtyvät välittömästi samalle äänenvoimakkuustasolle kuin "isäntäyksikkö".

Pidä linkityspainiketta painettuna yli 2 sekuntia "isännässä"- ja toissijaisessa kaiuttimessa. Kun yhdistetty kaiutin toistaa "isäntäyksikön" musiikkia, kaksi kaiutinta on yhdistetty automaattisesti toisiinsa.

**HUOMAA:** Jos haluat muodostaa yhteyden kolmanteen, neljanteen tai yhdeksänteenkymmenenteen yhdeksänteen kaiuttimeen myöhemmin, sinun tarvitsee vain pitää LINKITYS-painiketta painettuna yli 2 sekunnin ajan lisäkaiuttimissa.

Kahden yhdistetyn kaiuttimen välinen etäisyys ei saa olla yli 40 metriä avoimella kentällä.

Pidä linkkipainiketta painettuna yli 2 sekuntia "isäntäyksikköissä" tai sammuta hetkeksi muut kaiuttimet irrottaaksesi LINKKI-järjestelmän.

Useiden kaiuttimien yhdistämisen lisäksi linkityspainikkeella voi myös ohjata hengittävää valoa. Paina LINKITYS-painiketta kytkeäksesi hengittävän valon päälle tai pois päältä. Kun musiikkia ei toisteta, hengittävä valo himmenee vähitellen kokonaan pois päältä ja palaa sitten vähitellen maksimikirkkauteen.

F1-1	Linkityspainike	F2-1	Hengittävä valo
------	-----------------	------	-----------------

## ÄÄNENVOIMAKKUUDEN SÄÄTÄMINEN (kuva G)

Kaiuttimessa on 16 äänenvoimakkuustasoa.

- Vähentääksesi äänenvoimakkuutta yhden tason paina "-"-painiketta kerran.
- Vähentääksesi äänenvoimakkuutta portaattomasti pidä "-"-painiketta painettuna. Voit lopettaa "-"-painikkeen

painamisen, kun äänenvoimakkuus saavuttaa haluamasi äänenvoimakkuustason.

- Voit lisätä äänenvoimakkuutta yhden tason painamalla "+"-painiketta kerran.
- Lisätäkseen äänenvoimakkuutta portaattomasti pidä "+"-painiketta painettuna. Voit lopettaa "+"-painikkeen painamisen, kun äänenvoimakkuus saavuttaa haluamasi äänenvoimakkuustason.

Äänenvoimakkuuden säätö ei säädä vain kaiuttimen äänenvoimakkuutta, vaan se voi säätää myös laitteen äänenvoimakkuutta.

**HUOMAA:** Kun äänenvoimakkuus on säädetty maksimiin, merkkiäsi ilmoittaa maksimiäänenvoimakkuuden saavuttamisesta.

FI

G-1	Äänenvoimakkuuden vähennys- ja lisäspainike
-----	---

## TOISTO/TAUKO (kuva H)

Käynnistä tai keskeytä musiikki painamalla toisto-/taukopainiketta.

Paina toisto/taukopainiketta nopeasti kaksi kertaa siirtyäksesi seuraavaan kappaleeseen/tiedostoon.

H-1	Toisto-/taukopainike
-----	----------------------

## BASSON LISÄYS (kuva I)

- Vahvista bassoa painamalla basson lisäspainiketta. Basson lisäspainike jää palamaan osoittaen, että basson vahvistettu.
- Palautat basson normaalille tasolle painamalla basson lisäspainiketta uudelleen. Basson lisäspainikkeen valo sammuu.

I-1	Basson lisäspainike
-----	---------------------

## AUX-TOIMINTATILA (kuva J)

Avaa kumisuojus, liitä AUX-kaapeli (ei mukana) AUX-porttiin ja varmista, että se on yhdistetty kunnolla.

Yhdistä ulkoinen musiikkilähde (MP3-soitin tai vastaava) AUX-kaapelin toiseen päähän.

Kytke kaiutin päälle ja aloita toisto.

Kun toisto on päättynyt, irrota AUX-kaapeli.

**HUOMAA:** Yhdistettyjen laitteiden akkuja ei voi ladata AUX-liitännän kautta.

**HUOMAA:** Kun kaiutin kytketään pois päältä, yhdistetty laite ei automaattisesti kytkeydy pois päältä.

J-1	AUX-portti	J-2	USB-A-lähtöportti
J-3	Kumisuojus	J-4	USB-C-tulo-/lähtöportti

## USB-VIRTAPORTIT (kuva J)

Kun akku on asennettu tai kaiutin on yhdistetty vaihtovirtasovittimeen ja kaiutin kytketään päälle, USB-A-lähtöportti ja USB-C-tulo-/lähtöportti syöttävät latausvirtaa pienitehoisille laitteille, kuten matkapuhelimille, MP3-soittimille jne. Irrota USB-laite välittömästi latauksen jälkeen.

**HUOMAA:** USB-A-lähtöporttia ei voi käyttää äänen toistamiseen. Äänentoisto on mahdollista vain Bluetoothin tai AUX-liitännän kautta.

**HUOMAUTUS:** Sulje kumisuojus aina jokaisen käyttökerran jälkeen suojataksesi portit pölyltä, liialta ja kosteudelta.

## KUNNOSSAPITO

**VAROITUS:** Käytä huollon yhteydessä vain identtisiä varaosia. Muiden osien käyttö saattaa aiheuttaa vaaran tai laitteen vaurioitumisen. Pätevän huoltoteknikon tulee suorittaa kaikki korjaukset, jotta voidaan taata tuotteen turvallinen ja luotettava käyttö.

**VAROITUS:** Poista akku aina tuotteesta, kun puhdistat sitä tai teet huoltotoimenpiteitä. Näin vältät vakavat henkilövahingot.

## YLEINEN KUNNOSSAPITO

Vältä liuotainaineiden käyttöä, kun puhdistat muoviosia. Useimmat muovit ovat herkkiä vaurioitumaan erilaisista kaupallisista liuottimista ja voivat vaurioitua niiden käytöstä. Poista lika, pöly, öljy, rasva ym. puhtaalla liinalla.

**VAROITUS:** Älä koskaan anna jarrunesteiden, bensiniin, öljypohjaisten tuotteiden, irrotusöljyjen ym. päästä kosketuksiin muoviosien kanssa. Kemikaalit voivat vaurioittaa, heikentää tai tuhota muovin, mikä voi johtaa vakavaan henkilövahinkoon.

**VAROITUS:** Oikosulun aiheuttaman tulipalon, henkilövahingon ja tuotevaurion riskin vähentämiseksi älä koskaan upota konetta, akkua tai laturia nesteeseen tai anna nesteen virrata niiden sisälle. Syövyttävät tai johtavat nesteet, kuten merivesi, tietyt teollisuuskemikaalit ja valkaisuaineet tai valkaisuainetta sisältävät tuotteet jne., voivat aiheuttaa oikosulun.

**SÄILYTYS**

1. Irrota akku kaiuttimesta.
2. Puhdista kaikki vieras materiaali kaiuttimesta.
3. Säilytä kaiutin kuivassa, hyvin ilmastoidussa paikassa poissa lasten ulottuvilta. Älä säilytä kaiutinta lannoitteiden, bensiinin tai muiden kemikaalien päällä tai vieressä.

**YMPÄRISTÖNSUOJELU**

Älä hävitä sähkölaitteita, käytettyjä akkuja tai laturia kotitalousjätteen seassa! Vie tämä tuote hyväksytyyn kierrätyspaikkaan tai anna se erilliseen keräilyyn. Sähkötyökalut tulee palauttaa asianmukaiseen ympäristöystävälliseen kierrätyslaitokseen.

## VIANMÄÄRITYS

ONGELMA	SYY	RATKAISU
Kaiutin ei toimi.	<ul style="list-style-type: none"><li>■ Akkua ei ole liitetty kaiuttimeen</li><li>■ Kaiuttimen ja akun välillä ei ole sähköliitintää.</li><li>■ Akun varaus on tyhjentynyt.</li><li>■ Akku on liian kuuma.</li></ul>	<ul style="list-style-type: none"><li>■ Liitä akku kaiuttimeen.</li><li>■ Poista akku, tarkista koskettimet ja asenna akku uudelleen paikalleen.</li><li>■ Lataa akku.</li><li>■ Jäähdytä akkua, kunnes sen lämpötila on alle 67 °C.</li></ul>
Kaiutin ei muodosta paria oikein Bluetooth-laitteen kanssa.	<ul style="list-style-type: none"><li>■ Bluetooth-pariliitosalueen ulkopuolella.</li></ul>	<ul style="list-style-type: none"><li>■ Siirrä laitteesi lähemmäs kaiutinta.</li></ul>

FI

## TAKUU

### EGON TAKUUEHDOT

Verkkosivustolta [egopowerplus.eu](http://egopowerplus.eu) löydät EGO:n takuukäytännön täydelliset ehdot.

## LES ALLE INSTRUKSJONER!



### LES BRUKERHÅNDBOKEN

**⚠ ADVARSEL:** For å sikre sikkerhet og pålitelighet bør alle reparasjoner utføres av en kvalifisert servicetekniker.

## SIKKERHETSSYMBOLER

Hensikten med sikkerhetssymboler er å tiltrekke deg oppmerksomheten mot mulige farer. Sikkerhetssymbolene og forklaringene med dem fortjener nøye oppmerksomhet og forståelse. Symbolvarslene eliminerer ikke i seg selv noen fare. Instruksjonene og advarslene de gir er ingen erstatning for riktige ulykkesforebyggende tiltak.

**⚠ ADVARSEL:** Sørg for å lese og forstå alle sikkerhetsinstruksjonene i denne brukerhåndboken, inkludert alle sikkerhetsvarselsymboler som "FARE", "ADVARSEL" og "FORSIKTIG" før du bruker denne maskinen. Unnlatelse av å følge alle instruksjonene nedenfor kan føre til elektrisk støt, brann og/eller alvorlig personskade.

## SIKKERHETSINSTRUKSER

Denne siden viser og beskriver sikkerhetssymboler som kan vises på dette produktet. Les, forstå og følg alle instruksjoner på enheten før du begynner montering og tar den i bruk.

NO



Sikkerhetsvarsel



For å redusere risikoen for skade, må brukeren lese bruksanvisningen.



Bluetooth®



Elektriske produkter skal ikke kastes sammen med husholdningsavfallet. Ta med til en autorisert resirkulator.



Dette produktet er i samsvar med gjeldende EU-direktiver.



Britisk samsvar vurdert



Likestrøm

W Watt

Hz Hertz

m Måler

V Spenning

kg Kilogram

°C Celsius

mm Millimeter

## GENERELLE MASKINSIKKERHETSADVARSLER

**⚠ ADVARSEL: LES ALLE SIKKERHETSADVARSLER, INSTRUKSJONER, ILLUSTRASJONER OG SPESIFIKASJONER SOM LEVERES MED DENNE MASKINEN.** Unnlatelse av å følge alle instruksjonene nedenfor kan føre til elektrisk støt, brann og/eller alvorlig skade.

### LAGRE ALLE ADVARSLER OG INSTRUKSJONER FOR FREMTIDIG REFERANSE.

#### SIKKERHET I ARBEIDSRÅDET

- **Hold arbeidsområdet rent og godt opplyst.** Rotete eller mørke områder inviterer til ulykker.
- **Ikke bruk maskiner i eksplosive atmosfærer, for eksempel i nærvær av brennbare væsker, bensin eller støv.** Maskiner lager gnister som kan antenne støv eller røyk.
- **Hold barn og tilskuere unna mens du bruker en maskin.** Distraksjoner kan føre til at du mister kontrollen.

NO

#### ELEKTRISK SIKKERHET

- **Maskinpluggene må passe til stikkkontakten.** Modifiser aldri støpselet på noen måte. **Ikke bruk noen adapterplugg med jordede (jordede) maskiner.** Umodifiserte støpsler og matchende stikkontakter vil redusere risikoen for elektrisk støt.
- **Unngå kroppskontakt med jordete overflater som rør, radiatorer, komfyrer og kjøleskap.** Det er en økt risiko for elektrisk støt hvis kroppen din er jordet eller jordet.
- **Ikke utsett ledningen for feil behandling. Bruk aldri ledningen til å bære, trekke eller koble fra maskinen. Hold ledningen unna varme, olje, skarpe kanter eller bevegelige deler.** Skadde eller sammenfiltrede ledninger øker risikoen for elektrisk støt.
- **Når du bruker en høyttaler utendørs, bruk en skjøteledning som er egnet for utendørs bruk.** Bruk av en ledning egnet for utendørs bruk reduserer risikoen for elektrisk støt.
- **Hvis det er uunngåelig å bruke en maskin på et fuktig sted, bruk en jordfeilbryterbeskyttet forsyning.** Bruk av en GFCI reduserer risikoen for elektrisk støt.

#### PERSONLIG SIKKERHET

- **Vær på vakt, se hva du gjør og bruk sunn fornuft når du bruker en maskin. Ikke bruk en maskin**

**mens du er trøtt eller påvirket av narkotika, alkohol eller medisiner.** Et øyeblikks uoppmerksomhet under bruk av maskiner kan føre til alvorlig personskade.

#### MASKINBRUK OG STELL

- **Hold håndtak og gripeflater tørre, rene og fri for olje og fett.** Glatte håndtak og gripeflater tillater ikke sikker håndtering og kontroll av maskinen i uventede situasjoner.

#### BRUK OG STELL AV BATTERIMASKINEN

- **Lad kun med laderen spesifisert av produsenten.** En lader som er egnet for én type batteripakke kan skape brannfare når den brukes med en annen batteripakke.
- **Bruk kun maskiner med spesifikt utpekte batteripakker.** Bruk av andre batteripakker kan skape risiko for skader og brann.
- **Når batteripakken ikke er i bruk, hold den unna andre metallgjenstander, som binders, mynter, nøkler, spiker, skruer eller andre små metallgjenstander som kan koble fra en terminal til en annen.** Kortslutning av batteripolene kan forårsake brannskader eller brann.
- **Under farlige forhold kan væske komme ut av batteriet. Unngå kontakt med denne. Hvis kontakt oppstår ved et uhell, skyl med vann. Hvis væske kommer i kontakt med øynene, søk i tillegg medisinsk hjelp.** Væske som blir slynget ut av batteriet, kan forårsake irritasjon eller brannskår.
- **Ikke bruk en batteripakke eller maskin som er skadet eller modifisert.** Skadete eller modifiserte batterier kan vise uforutsigbar oppførsel som resulterer i brann, eksplosjon eller fare for skade.
- **Ikke utsett en batteripakke eller maskin for brann eller høy temperatur.** Eksponering for ild eller temperaturer over 130 °C kan forårsake eksplosjon.
- **Følg alle ladeinstruksjoner og ikke lad batteripakken eller maskinen utenfor temperaturområdet spesifisert i instruksjonene.** Feil lading eller ved temperaturer utenfor spesifisert område kan skade batteriet og øke risikoen for brann.

#### SERVICE

- **Få service på maskinen av en kvalifisert reparasjonsperson som kun bruker identiske reservedeler.** Dette vil sikre at sikkerheten til maskinen opprettholdes.
- **Batteripakker som er skadet, må aldri brukes.** Service på batteripakker må bare utføres av produsenten eller autoriserte tjenesteleverandører.

## SIKKERHETSADVARSLER FOR UTENDØRS BLUETOOTH-HØYTTALERE

- For å redusere risikoen for brann eller elektrisk støt, ikke utsett dette apparatet for regn eller fuktighet. Kun bruk på tørre steder.
- Bruk kun dette apparatet i et godt ventilert område.
- Les disse instruksjonene.
- Følg alle advarsler.
- Følg alle instruksjoner.
- Ikke bruk dette apparatet i nærheten av vann.
- Rengjør kun med en tørr klut.
- Ikke blokker noen ventilasjonsåpninger. Installer i henhold til produsentens instruksjoner.
- Ikke installer i nærheten av varmekilder som radiatorer, varmeelementer, komfyrer eller andre apparater (inkludert forsterkere) som produserer varme.
- Bruk kun tilbehør/tilbehør spesifisert av produsenten.
- Bruk kun med vognen, stativet, stativet, braketten eller bordet spesifisert av produsenten, eller som selges sammen med apparatet. Når en vogn brukes, må du være forsiktig når du flytter vognen/apparatkombinasjonen for å unngå skade ved velting.
- Overlat all service til kvalifisert servicepersonell. Vedlikehold er nødvendig når apparatet har blitt skadet på noen måte, for eksempel strømledning eller støpsel er skadet, væske har blitt sølt eller gjenstander har falt inn i apparatet, apparatet har vært utsatt for regn eller fuktighet, fungerer ikke normalt, eller har blitt mistet. Service eller vedlikehold utført av ukvalifisert personell kan føre til fare for skade.
- Et batteridrevet apparat med integrerte batterier eller en separat batteripakke må kun lades opp med spesifisert lader for batteriet. En lader som kan være egnet for én type batteri kan skape brannfare når den brukes med et annet batteri.
- Aldri demonter apparatet eller prøv å foreta omkoblinger på apparatets elektriske system.
- Vedlikehold apparatet. Sjekk for feiljustering, brudd på deler og andre forhold som kan påvirke apparatets drift. Hvis det er skadet, få apparatet reparert før bruk. Bruk apparatet i samsvar med disse instruksjonene, og ta hensyn til arbeidsforholdene og arbeidet som skal utføres. Bruk av apparatet til andre operasjoner enn det som er tiltenkt, kan føre til en farlig situasjon.

- Hold apparatet unna andre metallgjenstander, som binders, mynter, nøkler, spiker, skruer eller andre små metallgjenstander som kan koble fra en terminal til en annen. Kortslutning av terminalene kan føre til brannskader eller brann.
- Ikke bruk apparatet hvis det har blitt mistet eller fått et kraftig slag. Et skadet apparat vil øke risikoen for brann.
- Kast et brukt batteri umiddelbart. Hold unna barn. Ikke demonter og ikke kast i brann.
- Bruk kun med spesifiserte batteripakker og ladere.

Lagre disse instruksjonene. Se dem ofte og bruk dem til å instruere andre som kan bruke denne maskinen. Hvis du låner noen denne maskinen, lån dem også disse instruksjonene for å forhindre misbruk av produktet og mulig skade.

## SPESIFIKASJONER

Spenning	56 V
Spenning for AC strømadapter	100-240 V~, 50/60 Hz
Utgangseffekt	180 W
Utgangseffekt for forsterkeren	Basshøytaler: 80W x1
	Diskanthøytaler: 10W x 2
	Midt: 40W x 2
AUX-port	3,5 mm
USB-A-utgang	5 V, 2 A
USB-C inngang/utgang	DC5V 3A / DC9V 3A / DC12V 3A / DC15V 3A / DC20V 5A
Bluetooth®-rekkevidde	> 55 m
Vekt (uten batteripakke)	7,7 kg
Anbefalt driftstemperatur	-15 °C - 40 °C
Anbefalt lagringstemperatur	-20°C - 70°C
Klassifisering for inntrengningsbeskyttelse	IP54* (Beskyttet mot støv og vannsprut)

\* **MERK:** IP54-klassifiseringen er basert på apparatet.

NO

## PAKKELISTE (FIG. A1)

### BESKRIVELSE

#### KJENN DIN UTENDØRS BLUETOOTH-HØYTTALER (Fig. A1)

1. Håndtak
2. Kontrollpanel
3. Batteriutløserknapp
4. Pustende lys
5. Gummideksel
6. AUX-port
7. USB-A utgangsport
8. USB-C inngang/utgangsport
9. Ladeindikator
10. PÅ/AV-knapp
11. Bluetooth-knapp
12. Link-knapp
13. Volum ned-knapp
14. Volum opp-knapp
15. Spill av/pause-knapp
16. Bass opp-knapp

**NO**

### OPERASJON

#### PÅFØRING

Du kan bruke dette produktet til formålene som er oppført nedenfor:

- Lydavsplaying fra enheter koblet trådløst eller via og AUX-kabel.

#### FESTE/FRA BATTERIPAKKEN

Bruk kun med EGOs batteripakker og ladere oppført i Fig. A2.

Se bruksanvisningene for tilsvarende batteripakker og ladere for mer informasjon.

#### Lad helt opp før første gangs bruk.

**NOTE:** En lyd vil minne deg på når batteripakken er lav.

#### Å feste

Rett inn batteriribbene med monteringssporene og trykk batteripakken ned til du hører et "klikk" (Fig. B1).

#### Å løsne

Trykk inn batteriutløserknappen og trekk batteripakken

ut (Fig. B2).

**⚠ ADVARSEL:** Vær alltid oppmerksom på plasseringen av føttene, barna eller kjæledyrene dine når du trykker på batteriutløserknappen. Alvorlig skade kan oppstå hvis batteriet faller. Fjern ALDRI batteriet når du er på et høyt sted.

B1-1	Monteringsspor	B1-2	Ribbein
B1-3	Batteriutløserknapp		

#### BRUKE AC STRØMADAPTEREN (IKKE INKLUDERT)

Strømadapteren er ikke inkludert når den sendes. Adapter og ladekabel som er i samsvar med PD-protokollen og større enn 60W kan brukes som strømadapter.

**NOTE:** Når du bruker nettstrømadapteren alene, kan lyd kvaliteten og volumet til musikken bli påvirket.

Åpne gummidekselet og sett vekselstrømadapterpluggen inn i USB-C inngangs-/utgangsporten på baksiden av høyttaleren. Koble adapteren til en standard stikkontakt (Fig. C1).

Når strømadapteren kobles til, lades den innsatte batteripakken automatisk. Den lille prikkampen over ladeindikatorsymbolet vil blinke hvitt. Når batteripakken er fulladet, vil det lille prikkelyset lyse hvitt. Når det lille prikkelyset lyser konstant rødt, betyr det at batteripakken er defekt (Fig. C2).

Strømadapteren bør kobles fra strømuttaket når den ikke er i bruk.

**NOTE:** Batteripakken og USB-enheter som mobiltelefoner, MP3-spillere osv. koblet til USB-A-utgangsporten kan lades når strømadapteren er tilkoblet.

**MERKNAD:** Lukk alltid gummidekselet etter hver bruk for å beskytte portene mot støv, smuss og fuktighet.

C1-1	AC strømadapter	C1-2	USB-C inngang/utgangsport
C1-3	Gummideksel	C2-1	Liten prikk
C2-2	Ladeindikator		

#### SLÅ HØYTTALEREN PÅ OG AV (Fig. D)

Trykk kort på PÅ/AV-knappen, høyttaleren vil slå seg på og PÅ/AV-knappens lys vil fortsette å lyse og en lyd vil varsle tilkoblingen.

For å slå av høyttaleren, trykk kort på PÅ/AV-knappen. En lyd vil kunngjøre frakoblingen.



**MERK:** høyttaleren slås av automatisk etter 20 minutter, hvis det ikke spilles musikk eller ingen utgang fra USB-A- eller USB-C-porter.

D-1	PÅ/AV-knapp
-----	-------------

### BLUETOOTH®DRIFTSMODUS (Fig. E)

Etter at du har slått på høyttaleren, vil Bluetooth®-paringen automatisk slå seg på, indikert av den hvite blinkende Bluetooth®-knappen.

- Aktiver Bluetooth®-funksjonen på enheten som skal kobles til (smarttelefon eller lignende) og velg "EGO SK1800E" som målet for Bluetooth®-tilkoblingen på enheten din.
- En lyd vil kunngjøre tilkoblingen, og Bluetooth®-knappen forblir opplyst etter at en enhet er tilkoblet.

**NOTE:** Hvis den tidligere er parett til ønsket enhet, kobles høyttaleren automatisk til den samme enheten igjen når høyttaleren slås på.

**NOTE:** Hvis høyttaleren plutselig ikke har lyd eller spiller annen medielyd, betyr det at den andre tilkoblede enheten har overtatt kontrollen av høyttaleren og dukket opp en stille reklame eller spiller av en sang.

Bluetooth®-sammenkoblingsmodusen vil bare være aktiv i 3 minutter og slås av automatisk hvis ingen enhet er tilkoblet/parett.

Trykk kort på Bluetooth®-knappen. Bluetooth®-knappen begynner å blinke for å indikere at en enhet kan kobles til.

To enheter kan kobles til høyttaleren via Bluetooth® samtidig.

- Etter at den første enheten er tilkoblet, trykker du på Bluetooth®-knappen til den begynner å blinke.
- Når Bluetooth®-knappen begynner å blinke, velg "EGO SK1800E" på den andre enheten og koble den til høyttaleren. Etter at tilkoblingen er vellykket, vil det være en talemelding om at den andre enheten er tilkoblet.

**NOTE:** Hvis det er et avspillingsproblem, start høyttaleren på nytt.

**Slik kobler du fra Bluetooth®-enheten:** Trykk og hold inne Bluetooth®-knappen i mer enn 2 sekunder eller koble fra høyttaleren på enheten.

E-1	Bluetooth®-knapp
-----	------------------

### FOR Å KOBLE TIL FLERE SK1800E ENHETER VED HJELP AV LINK (Fig. F1, F2)

Opptil 100 stk SK1800E høyttalere kan kobles til ved hjelp av linken.

Slå på høyttalerne og sørg for at en av høyttalerne er koblet til en enhet via Bluetooth.

Høyttaleren som er koblet til enheten vil fungere som "verts"-enhet og kan kontrollere avspilling (volum, avspilling/pause osv.).

**NOTE:** Når volumet er justert på "verts"-enheten, justeres andre tilkoblede høyttalere umiddelbart til samme volumnivå som "verts"-enheten.

Trykk og hold koblingsknappen i mer enn 2 sekunder på "verten" og sekundærhøyttaleren. Når den tilkoblede høyttaleren spiller av musikken til "verts"-enheten, betyr det at de to høyttalerne automatisk kobles til hverandre.

**NOTE:** Hvis du vil koble til den tredje, fjerde eller nittiniende høyttaleren senere, trenger du bare å trykke og holde inne LINK-knappen i mer enn 2 sekunder på de ekstra høyttalerne.

Avstanden mellom de to sammenkoblede høyttalerne kan ikke overstige 40 meter i et åpent felt.

Trykk og hold koblingsknappen i mer enn 2 sekunder på "verts"-enheten eller slå av de andre høyttalerne kort for å koble fra LINK-systemet.

I tillegg til å koble til flere høyttalere, kan lenkeknappen også kontrollere pustelyset. Trykk på LINK-knappen for å slå på eller av pustelyset. Når det ikke spilles musikk, vil pustelyset dempes gradvis til helt av, og deretter gradvis gå tilbake til maksimal lysstyrke.

F1-1	Link-knapp	F2-1	Pustende lys
------	------------	------	--------------

### STILLE VOLUMET (Fig. G)

Høyttaleren har 16 volumnivåer.

- For å redusere volumet, trykk én gang på "-"-knappen for å redusere volumet med ett nivå.
- Trykk og hold inne "-"-knappen for å redusere volumet gradvis. Du kan slutte å trykke på "-"-knappen når volumet når ønsket volum.
- For å øke volumet, trykk på "+"-knappen én gang for å øke volumet med ett nivå.
- Trykk og hold inne "+"-knappen for å øke volumet gradvis. Du kan slutte å trykke på "+"-knappen når volumet når ønsket volum.

Volumjusteringen kan ikke bare justere høyttalervolumet, men kan også justere volumet på enheten.

NO

**NOTE:** Når volumet er justert til maksimalt, vil en lyd kunnngjøre at det har nådd maksimalt volum.

G-1	Volum ned og opp-knapp
-----	------------------------

## SPILL/PAUSE (Fig. H)

Trykk på play/pause-knappen for å starte eller sette musikken på pause.

Trykk raskt to ganger på play/pause-knappen for å gå til neste spor/fil.

H-1	Spill av/pause-knapp
-----	----------------------

## BASS OPP (Fig. I)

- Trykk på bass opp-knappen for å forsterke bassen. Bass opp-knappen forblir opplyst for å indikere at bassen er forsterket.
- Trykk på bass opp-knappen igjen for å sette bassen tilbake til normalt nivå. Lampen for bass opp-knappen vil slå seg av.

I-1	Bass opp-knapp
-----	----------------

## AUX-DRIFTSMODUSET (Fig. J)

Åpne gummidekselet, sett AUX-kabelen (ikke inkludert) inn i AUX-porten og kontroller at den er riktig tilkoblet.

Koble den eksterne musikkilden (MP3-spiller eller lignende) til den andre enden av AUX-kabelen.

Slå på høyttaleren og start avspillingen.

Når du er ferdig med avspillingen, koble fra AUX-kabelen.

**NOTE:** Batteriene til de tilkoblede enhetene kan ikke lades via AUX-tilkoblingen.

**NOTE:** Når høyttaleren er slått av, slås ikke den tilkoblede enheten av automatisk.

J-1	AUX-port	J-2	USB-A utgangsport
J-3	Gummideksel	J-4	USB-C inngang/utgangsport

## USB STRØMPORTER (Fig. J)

Når en batteripakke er installert eller høyttaleren er koblet til en strømadapter og høyttaleren er slått på, vil USB-A-utgangsporten og USB-C-inn-/utgangsporten levere ladestrøm til enheter med lavt strømforbruk som mobiltelefoner, MP3-spillere osv. Koble fra USB-enheten umiddelbart etter lading.

**NOTE:** USB-A-utgangsporten kan ikke brukes til lydavspilling. Lydavspilling er kun mulig via Bluetooth- eller AUX-tilkobling.

**MERKNAD:** Lukk alltid gummidekselet etter hver bruk for å beskytte portene mot støv, smuss og fuktighet.

## VEDLIKEHOLD

**ADVARSEL:** Bruk bare identiske reservedeler ved service. Bruk av andre deler kan skape fare eller forårsake produktskade. For å sikre sikkerhet og pålitelighet bør alle reparasjoner utføres av en kvalifisert servicetekniker.

**ADVARSEL:** For å unngå alvorlig personskade, fjern alltid batteriet fra produktet når du rengjør eller utfører vedlikehold.

### GENERELT VEDLIKEHOLD

Unngå bruk av løsemidler når plastdeler skal rengjøres. De fleste plasttyper kan ta skade av ulike typer løsemidler som er i salg, og kan dermed bli ødelagt. Bruk en ren klut for å fjerne skitt, støv, olje, fett, osv.

**ADVARSEL:** La ikke på noe tidspunkt bremsevæsker, bensin, petroleumsbaserte produkter, penetrerende oljer osv. komme i kontakt med plastdeler. Kjemikalier kan skade, svekke eller ødelegge plast som kan føre til alvorlig personskade.

**ADVARSEL:** For å redusere risikoen for brann, personskade og produktskade på grunn av kortslutning, må du aldri senke maskinen, batteripakken eller laderen i væske eller la væske strømme inn i dem. Etsende eller ledende væsker, som sjøvann, visse industrielle kjemikalier, og blekemiddel eller blekemiddelholdige produkter osv., kan forårsake kortslutning.

### OPPBEVARING

- Fjern batteripakken fra høyttaleren.
- Rengjør alt fremmedmateriale fra høyttaleren.
- Oppbevar høyttaleren på et tørt, godt ventilert sted, utilgjengelig for barn. Ikke oppbevar høyttaleren på eller ved siden av gjødsel, bensin eller andre kjemikalier.

### BESKYTTELSE AV MILJØET



Ikke kast elektrisk utstyr, brukt batteri og lader i husholdningsavfallet! Ta dette produktet til en autorisert gjenvinner og gjør det tilgjengelig for separat innsamling. Elektriske verktøy må returneres til et miljøvennlig gjenvinningsanlegg.

## FEILSØKING

PROBLEM	ÅRSAK	LØSNING
Høytaleren fungerer ikke.	<ul style="list-style-type: none"><li>■ Batteripakken er ikke festet til høytaleren</li><li>■ Det er ingen elektrisk kontakt mellom høytaleren og batteriet.</li><li>■ Batteripakkens ladning er oppbrukt.</li><li>■ Batteripakken er for varm.</li></ul>	<ul style="list-style-type: none"><li>■ Fest batteripakken til høytaleren.</li><li>■ Ta ut batteripakken, sjekk kontaktene og sett inn batteripakken igjen.</li><li>■ Lad batteripakken.</li><li>■ Avkjøl batteripakken til temperaturen faller under 152 °F (67 °C).</li></ul>
Høytaleren kan ikke pares ordentlig med en Bluetooth-enhet.	<ul style="list-style-type: none"><li>■ Utenfor Bluetooth-paringsrekkevidde.</li></ul>	<ul style="list-style-type: none"><li>■ Flytt enheten nærmere høytaleren.</li></ul>

NO

## GARANTI

### EGO GARANTIPOLITIK

Besøk nettstedet [egopowerplus.eu](http://egopowerplus.eu) for fullstendige vilkår og betingelser for EGO-garantipolicyen.

## ПРОЧИТАЙТЕ ВСЕ ИНСТРУКЦИИ!



**ПРОЧИТАЙТЕ РУКОВОДСТВО ПОЛЬЗОВАТЕЛЯ**

**⚠ ПРЕДУПРЕЖДЕНИЕ.** Для обеспечения безопасности и надежности устройства его ремонт должен выполнять квалифицированный специалист.

## СИМВОЛЫ БЕЗОПАСНОСТИ

Символы безопасности предназначены для привлечения внимания к возможным рискам. Символы безопасности, а также пояснения к ним, требуют особого внимания и понимания. Предупреждения по технике безопасности сами по себе не устраняют опасность. Инструкции и предупреждения не заменяют соответствующие меры по предотвращению несчастных случаев.

**⚠ ПРЕДУПРЕЖДЕНИЕ.** Перед использованием устройства внимательно прочитайте все инструкции в данном руководстве пользователя и ознакомьтесь с предупреждающими символами безопасности, такими как **ОПАСНОСТЬ**, **ПРЕДУПРЕЖДЕНИЕ** и **ВНИМАНИЕ**. Несоблюдение всех приведенных ниже инструкций может привести к поражению электрическим током, возникновению пожара и (или) получению серьезных травм.

**RU**

## ИНСТРУКЦИЯ ПО ТЕХНИКЕ БЕЗОПАСНОСТИ

Далее приведено изображение и описание символов безопасности, которые могут присутствовать на данном устройстве. Перед сборкой или использованием внимательно прочитайте все инструкции, приведенные на устройстве, и соблюдайте их.



Предупреждение об опасности



Прочитайте руководство по эксплуатации, чтобы уменьшить риск получения травм.



Bluetooth®



Неисправные электрические устройства нельзя выбрасывать вместе с бытовым мусором. Сдавайте их в авторизованные пункты сбора и утилизации.



Соответствует основным требованиям стандартов безопасности Европейских директив.



Соответствие требованиям Великобритании



Постоянный ток

Вт      Ватт

Гц      Герц

м      Метр

V      Напряжение

кг      Килограмм

°C      Градус Цельсия

мм      Миллиметр

## ОБЩИЕ ПРАВИЛА ТЕХНИКИ БЕЗОПАСНОСТИ ПРИ ИСПОЛЬЗОВАНИИ УСТРОЙСТВА

**⚠ ПРЕДУПРЕЖДЕНИЕ. ПРОЧИТАЙТЕ ВСЕ ПРАВИЛА БЕЗОПАСНОСТИ, ИНСТРУКЦИИ, ИЛЛЮСТРАЦИИ И СПЕЦИФИКАЦИИ, ПРИЛАГАЕМЫЕ К ЭТОМУ УСТРОЙСТВУ.**

Невыполнение изложенных ниже инструкций может привести к поражению электрическим током, пожару и (или) тяжелым травмам.

**СОХРАНИТЕ ВСЕ ПРЕДУПРЕЖДЕНИЯ И ИНСТРУКЦИИ ДЛЯ ИСПОЛЬЗОВАНИЯ В БУДУЩЕМ.**

### БЕЗОПАСНОСТЬ РАБОЧЕГО МЕСТА

- Обеспечьте чистоту и освещенность рабочего места. Загроможденные и плохо освещенные места служат причиной несчастных случаев.
- Не используйте устройство во взрывоопасных местах, например вблизи горючих жидкостей, бензина или пыли. Устройство генерирует искры, которые могут воспламенить пыль или испарения.
- Не позволяйте детям и посторонним находиться вблизи работающего устройства. Отвлекающие факторы могут привести к потере контроля.

### ЭЛЕКТРОТЕХНИЧЕСКАЯ БЕЗОПАСНОСТЬ

- Вилка устройства должна соответствовать розетке. Никогда не переделывайте вилку. Не используйте никакие переходники для вилок заземленных устройств. Использование оригинальных вилок и соответствующих им розеток уменьшает риск поражения электрическим током.
- Избегайте прикосновений к заземленным объектам, таким как трубы, радиаторы, плиты и холодильники. Риск поражения электрическим током выше, когда тело заземлено.
- Обращайтесь с кабелем аккуратно. Никогда не переносите, не тяните и не выключайте устройство за кабель. Держите кабель подальше от источников тепла, масла, острых предметов и движущихся частей. Поврежденные или запутанные кабели повышают риск поражения электрическим током.
- Для работы с колонкой вне помещения используйте предназначенный для этого удлинительный кабель. Использование кабеля, подходящего для использования вне помещения, снижает риск поражения электрическим током.

- Если использование электроинструмента в сыром месте неизбежно, подключайте его через выключатель короткого замыкания на землю (ВКЗЗ). Использование ВКЗЗ уменьшает риск поражения электрическим током.

### ЛИЧНАЯ БЕЗОПАСНОСТЬ

- При использовании устройства будьте бдительны, следите за своими действиями и следуйте здравому смыслу. Не пользуйтесь устройством, если вы устали или находитесь под воздействием наркотиков, алкоголя или медикаментов. Даже кратковременная невнимательность при работе с устройством может привести к тяжелым травмам.

### ЭКСПЛУАТАЦИЯ И ОБСЛУЖИВАНИЕ УСТРОЙСТВА

- Следите за тем, чтобы рукоятки и поверхности захвата были сухими и чистыми и на них не было масла или смазочного материала. Скользкие рукоятки и поверхности захвата не позволяют безопасно использовать устройство и контролировать его в непредвиденных ситуациях.

RU

### ЭКСПЛУАТАЦИЯ И ОБСЛУЖИВАНИЕ АККУМУЛЯТОРНОГО УСТРОЙСТВА

- Заряжайте аккумулятор только с помощью зарядного устройства, указанного изготовителем. Зарядное устройство, предназначенное для одного типа аккумуляторных батарей, может стать причиной пожара при использовании с другим типом батарей.
- Используйте устройство только со специально предназначенными для него аккумуляторами. Использование любого другого вида аккумуляторных батарей может стать причиной несчастных случаев или пожара.
- Когда аккумулятор не используется, храните его отдельно от металлических предметов — канцелярских скрепок, монет, ключей, гвоздей, винтов и др., они могут соединить контакты. Короткое замыкание контактов аккумуляторной батареи может стать причиной ожогов или пожара.
- При неблагоприятных обстоятельствах из аккумулятора может потечь электролит; избегайте контакта с ним. При случайном контакте промойте водой. Если жидкость попала в глаза, обратитесь к врачу. Жидкость из аккумуляторной батареи может вызвать раздражение и ожоги.

- Не используйте аккумулятор и устройство, если они повреждены или подвергались модификациям. Поведение поврежденных или модифицированных аккумуляторов может быть непредсказуемым, что приведет к возгоранию, взрыву и риску получения травм.
- Не подвергайте аккумуляторную батарею и устройство воздействию огня и высокой температуры. Воздействие огня или температуры выше 130 °C может привести к взрыву.
- Следуйте всем инструкциям по зарядке и не заряжайте аккумулятор и устройство при температуре, выходящей за пределы указанного диапазона. Если зарядка выполняется неправильно или в условиях неподходящей температуры, это может привести к повреждению аккумулятора и возгоранию.

## РЕМОНТ

RU

- Ремонт устройства должен производиться квалифицированным специалистом с использованием только идентичных запасных частей. Это обеспечит безопасную работу устройства.
- Никогда не выполняйте обслуживание поврежденного аккумулятора. Обслуживание аккумуляторов должно выполняться только производителем или в авторизованном сервисном центре.

## ПРЕДУПРЕЖДЕНИЯ ПО БЕЗОПАСНОСТИ ДЛЯ ВЛУЕТООН-КОЛОНКИ

- Чтобы снизить риск возгорания или поражения электрическим током, не подвергайте это устройство воздействию дождя или влаги. Используйте только в сухих местах.
- Используйте устройство только в хорошо проветриваемом месте.
- Прочитайте данные инструкции.
- Обращайте внимание на все предупреждения.
- Выполняйте все инструкции.
- Не используйте данное устройство рядом с водой.
- Для очистки используйте только сухую ткань.
- Не закрывайте вентиляционные отверстия. Установка должна выполняться в соответствии с инструкциями производителя.
- Не устанавливайте вблизи источников тепла, таких как радиаторы, обогреватели, печи и другие устройства (включая усилители), которые выделяют тепло.
- Используйте только принадлежности и аксессуары, рекомендованные производителем.
- Используйте только со стойкой, подставкой, штативом, кронштейном или столом, указанными производителем, или проданными вместе с устройством. При использовании стойки соблюдайте осторожность при перемещении стойки вместе с устройством, чтобы избежать опрокидывания.
- Обслуживание и ремонт должны выполняться только квалифицированными специалистами. Ремонт необходим при любом повреждении устройства, например если поврежден кабель питания или вилка, внутрь устройства попала жидкость или посторонние предметы, устройство подверглось воздействию дождя или влаги, устройство не работает надлежащим образом или устройство падало. Выполнение обслуживания или ремонта неквалифицированным специалистом может привести к получению травмы.
- Устройство со встроенным или отдельным аккумулятором должно заряжаться только с помощью зарядного устройства, указанного изготовителем. Зарядное устройство, предназначенное для одного типа аккумуляторов, может стать причиной пожара при использовании с другим типом.
- Никогда не разбирайте устройство и не пытайтесь вносить какие-либо изменения в его электрическую схему.
- Выполняйте обслуживание устройства. Проверьте выравнивание деталей, наличие поломок и прочие условия, которые могут повлиять на работу устройства. Если устройство повреждено, перед использованием его необходимо отремонтировать. Используйте устройство в соответствии с настоящей инструкцией, учитывая условия и специфику выполняемой работы. Использование устройства для выполнения непредусмотренных операций может привести к опасным ситуациям.
- Держите устройство подальше от таких металлических объектов, как скрепки, монеты, ключи, гвозди, шурупы и других мелких предметов, которые могут соединить один контакт с другим. Короткое замыкание контактов может стать причиной ожогов или пожара.
- Не используйте устройство, если оно падало или подвергалось сильным ударам. Поврежденное устройство повышает риск возникновения пожара.

- Немедленно утилизируйте использованный аккумулятор. Храните в недоступном для детей месте. Не разбирайте и не бросайте в огонь.
- **Используйте только указанные аккумуляторы и зарядные устройства.**

**Сохраните настоящую инструкцию.** Регулярно просматривайте ее и предоставляйте для ознакомления другим пользователям. Одалживая кому-либо устройство, передайте также данную инструкцию для предотвращения неправильного использования и возможных травм.

## ТЕХНИЧЕСКИЕ ХАРАКТЕРИСТИКИ

Напряжение	56 В
Напряжение адаптера питания переменного тока	100–240 В переменного тока, 50–60 Гц
Выходная мощность	180 Вт
Выходная мощность усилителя	НЧ-динамик: 80 Вт, 1 шт.
	ВЧ-динамик: 10 Вт, 2 шт.
	СЧ-динамик: 40 Вт, 2 шт.
AUX-порт	3,5 мм
Выход USB-A	5 В, 2 А
Вход/выход USB-C	5 В пост. тока 3 А / 9 В пост. тока 3 А / 12 В пост. тока 3 А / 15 В пост. тока 3 А / 20 В пост. тока 5 А
Диапазон Bluetooth®	> 55 м
Масса (без аккумулятора)	7,7 кг
Рекомендуемая рабочая температура	От –15 до 40 °С
Рекомендуемая температура хранения	От –20 до 70 °С
Класс защиты от проникновения	IP54* (Защита от пыли и брызг воды)

\* **ПРИМЕЧАНИЕ.** Рейтинг IP54 основан на характеристиках устройства.

## КОМПЛЕКТ ПОСТАВКИ (РИС. А1)

### ОПИСАНИЕ

#### ЧАСТИ BLUETOOTH-КОЛОНКИ ДЛЯ ИСПОЛЬЗОВАНИЯ НА ОТКРЫТОМ ВОЗДУХЕ (Рис. А1)

1. Ручка
2. Панель управления
3. Кнопка фиксации аккумулятора
4. «Дышащий свет»
5. Резиновая крышка
6. AUX-порт
7. Выходной порт USB-A
8. Порт USB-C (вход/выход)
9. Индикатор заряда
10. Кнопка включения/выключения
11. Кнопка Bluetooth
12. Кнопка соединения
13. Кнопка уменьшения громкости
14. Кнопка увеличения громкости
15. Кнопка воспроизведения/паузы
16. Кнопка повышения баса

RU

## ИСПОЛЬЗОВАНИЕ

### ПРИМЕНЕНИЕ

Данное устройство можно использовать в следующих целях.

- Воспроизведение звука с устройств, подключенных по беспроводной сети или с помощью кабеля AUX.

### УСТАНОВКА И ИЗВЛЕЧЕНИЕ АККУМУЛЯТОРА

Используйте только аккумуляторы и зарядные устройства EGO, указанные на Рис. А2.

Подробнее см. в соответствующих руководствах по эксплуатации аккумулятора и зарядного устройства.

### Перед первым использованием полностью зарядите аккумулятор.

**ПРИМЕЧАНИЕ.** При низком уровне заряда аккумулятора прозвучит звуковой сигнал.

### Установка

Совместите ребра аккумулятора с крепежными отверстиями и вставьте аккумулятор до щелчка (Рис. В1).

## Извлечение

Нажмите кнопку фиксации аккумулятора и извлеките его (Рис. B2).

**⚠ ПРЕДУПРЕЖДЕНИЕ.** Всегда следите за положением своих ног, а за также за местонахождением детей и животных, когда нажимаете на кнопку фиксации аккумулятора. Падение аккумулятора может привести к серьезным травмам. НИКОГДА не извлекайте аккумулятор, если находитесь на возвышенности.

B1-1	Монтажный паз	B1-2	Выступ
B1-3	Кнопка фиксации аккумулятора		

## ИСПОЛЬЗОВАНИЕ АДАПТЕРА ПИТАНИЯ ПЕРЕМЕННОГО ТОКА (НЕ ВХОДИТ В КОМПЛЕКТ)

Адаптер питания переменного тока в комплект поставки не входит. В качестве адаптера питания можно использовать адаптер и зарядный кабель, соответствующие протоколу PD и имеющие мощность более 60 Вт.

**ПРИМЕЧАНИЕ.** При использовании только адаптера питания переменного тока качество звука и громкость музыки могут ухудшиться.

Откройте резиновую крышку и вставьте штекер адаптера питания переменного тока в порт входа/выхода USB-C на задней панели колонки. Подключите адаптер к стандартной розетке электросети (Рис. C1).

При использовании адаптера аккумулятор автоматически заряжается. Маленькая точка над символом индикатора зарядки будет мигать белым цветом. Когда аккумулятор полностью заряжен, маленькая точка будет постоянно светиться белым светом. Если маленькая точка постоянно светится красным светом, это означает, что аккумулятор неисправен (Рис. C2).

Когда адаптер переменного тока не используется, его следует отключать от розетки электросети.

**ПРИМЕЧАНИЕ.** При подключенном адаптере питания переменного тока можно заряжать аккумулятор и USB-устройства, такие как сотовые телефоны, MP3-плееры и т. д., подключенные к выходному порту USB-A.

**ПРИМЕЧАНИЕ.** Всегда закрывайте резиновую крышку после каждого использования, чтобы защитить порты от пыли, грязи и влаги.

C1-1	Адаптер питания переменного тока	C1-2	Порт USB-C (вход/выход)
C1-3	Резиновая крышка	C2-1	Маленькая точка
C2-2	Индикатор зарядки		

## ВКЛЮЧЕНИЕ И ВЫКЛЮЧЕНИЕ КОЛОНКИ (Рис. D)

Быстро нажмите кнопку включения/выключения. Колонка включится, индикатор кнопки включения/выключения будет светиться, а звуковой сигнал сообщит о подключении.

Чтобы выключить колонку, еще раз быстро нажмите кнопку включения/выключения. Звуковой сигнал сообщит об отключении.

**ПРИМЕЧАНИЕ.** Колонка автоматически выключится через 20 минут, если музыка не воспроизводится или нет выходного сигнала через порты USB-A или USB-C.

D-1	Кнопка включения/выключения
-----	-----------------------------

## РЕЖИМ РАБОТЫ BLUETOOTH® (Рис. E)

После включения колонки автоматически включится сопряжение Bluetooth®, о чем свидетельствует мигающая белая кнопка Bluetooth®.

- Включите функцию Bluetooth® на подключаемом устройстве (смартфоне или аналогичном) и выберите «EGO SK1800E» в качестве целевого устройства Bluetooth®.
- Звуковой сигнал сообщит о подключении, а кнопка Bluetooth® будет светиться после успешного подключения устройства.

**ПРИМЕЧАНИЕ.** Если колонка ранее была сопряжена с нужным устройством, она автоматически повторно подключится к тому же устройству при включении.

**ПРИМЕЧАНИЕ.** Если в колонке внезапно пропал звук или воспроизводится звук с другого устройства, это означает, что второе подключенное устройство взяло на себя управление колонкой и вывело на экран беззвучную рекламу или воспроизводит песню.

Режим сопряжения Bluetooth® будет активен только в течение 3 минут и автоматически выключится, если ни одно устройство не подключено или не сопряжено.

Быстро нажмите кнопку Bluetooth®. Кнопка Bluetooth® начнет мигать, указывая на возможность подключения устройства.



К колонке можно одновременно подключить два устройства с помощью Bluetooth®.

- После подключения первого устройства нажмите и удерживайте кнопку Bluetooth®, пока она не начнет мигать.
- Как только кнопка Bluetooth® начнет мигать, выберите «EGO SK1800E» на втором устройстве и подключите его к колонке. После успешного подключения прозвучит голосовое сообщение о том, что второе устройство подключено.

**ПРИМЕЧАНИЕ.** При возникновении проблем с воспроизведением перезапустите колонку.

**Отключение устройства Bluetooth®.** Нажмите кнопку Bluetooth® и удерживайте ее более 2 секунд или отключите колонку на устройстве.

E-1	Кнопка Bluetooth®
-----	-------------------

### ПОДКЛЮЧЕНИЕ НЕСКОЛЬКИХ КОЛОНОК SK1800E (Рис. F1, F2)

Можно одновременно подключить до 100 колонок SK1800E.

Включите колонки и убедитесь, что одна из них подключена к устройству с помощью Bluetooth.

Подключенная к устройству колонка является главным модулем и позволяет управлять различными параметрами (громкость, воспроизведение/пауза и т. д.).

**ПРИМЕЧАНИЕ.** После регулировки громкости на главном модуле другие подключенные колонки немедленно настраиваются на тот же уровень громкости, что и главный модуль.

Нажмите кнопку соединения и удерживайте ее более 2 секунд на главной и вторичной колонке. Если подключенная колонка воспроизводит музыку главного модуля, это означает, что две колонки автоматически связаны друг с другом.

**ПРИМЕЧАНИЕ.** Если позже потребуется подключиться к третьей, четвертой или девятой колонке, просто нажмите и удерживайте кнопку соединения более 2 секунд на дополнительных колонках.

Расстояние между двумя подключенными колонками не может превышать 40 метров на открытом пространстве.

Чтобы отключить связь между колонками, нажмите кнопку соединения на главном модуле и удерживайте

ее более 2 секунд или кратковременно выключите другие колонки.

Помимо подключения нескольких колонок кнопка соединения позволяет управлять «дышащим светом». Нажмите кнопку соединения, чтобы включить или выключить «дышащий свет». Если музыка не воспроизводится, «дышащий свет» постепенно тускнеет до полного отключения, а затем постепенно возвращается к максимальной яркости.

F1-1	Кнопка соединения	F2-1	«Дышащий свет»
------	-------------------	------	----------------

### НАСТРОЙКА ГРОМКОСТИ (Рис. G)

Колонка имеет 16 уровней громкости.

- Чтобы уменьшить громкость на один уровень, нажмите кнопку «-» один раз.
- Нажмите и удерживайте кнопку «-», чтобы постепенно уменьшить громкость. Прекратите удерживать кнопку «-», когда громкость достигнет желаемого уровня.
- Чтобы увеличить громкость на один уровень, нажмите кнопку «+» один раз.
- Нажмите и удерживайте кнопку «+», чтобы постепенно увеличивать громкость. Прекратите удерживать кнопку «+», когда громкость достигнет желаемого уровня.

Регулировка громкости позволяет изменить не только громкость колонки, но и громкость на устройстве.

**ПРИМЕЧАНИЕ.** Когда уровень громкости достигнет максимального значения, прозвучит звуковой сигнал.

G-1	Кнопки уменьшения и увеличения громкости
-----	--

### ВОСПРОИЗВЕДЕНИЕ/ПАУЗА (Рис. H)

Чтобы запустить или приостановить воспроизведение, нажмите кнопку воспроизведения/паузы.

Дважды быстро нажмите кнопку воспроизведения/паузы, чтобы перейти к следующему треку/файлу.

H-1	Кнопка воспроизведения/паузы
-----	------------------------------

### ПОВЫШЕНИЕ БАСА (Рис. I)

- Нажмите кнопку повышения баса, чтобы усилить басы. Кнопка повышения баса будет светиться постоянно, указывая на усиление басов.
- Нажмите кнопку повышения баса еще раз, чтобы вернуть басы к нормальному уровню. Индикатор кнопки повышения баса погаснет.

I-1	Кнопка повышения баса
-----	-----------------------

## РЕЖИМ РАБОТЫ AUX (Рис. J)

Откройте резиновую крышку, вставьте кабель AUX (не входит в комплект) в порт AUX и убедитесь, что он правильно подключен.

Подключите внешний источник музыки (MP3-плеер или аналогичное устройство) к другому разъему кабеля AUX.

Включите колонку и начните воспроизведение.

По завершении воспроизведения отсоедините кабель AUX.

**ПРИМЕЧАНИЕ.** Аккумулятор подключенного устройства не будет заряжаться с помощью AUX-соединения.

**ПРИМЕЧАНИЕ.** При выключении колонки подключенное устройство не выключается автоматически.

RU

J-1	AUX-порт	J-2	Выходной порт USB-A
J-3	Резиновая крышка	J-4	Порт USB-C (вход/выход)

## USB-РАЗЪЕМЫ ПИТАНИЯ (Рис. J)

Если в колонку установлен аккумулятор или она подключена к адаптеру питания переменного тока и включена, выходной порт USB-A и входной/выходной порт USB-C могут использоваться для зарядки устройств с низким энергопотреблением, таких как мобильный телефон, MP3-плеер и т. д. Немедленно отсоединяйте USB-устройство после зарядки.

**ПРИМЕЧАНИЕ.** Выходной порт USB-A нельзя использовать для воспроизведения звука. Воспроизведение звука возможно только с помощью подключения Bluetooth или AUX.

**ПРИМЕЧАНИЕ.** Всегда закрывайте резиновую крышку после каждого использования, чтобы защитить порты от пыли, грязи и влаги.

## ОБСЛУЖИВАНИЕ

**⚠ ПРЕДУПРЕЖДЕНИЕ.** При ремонте используйте только идентичные запасные части. Использование других запасных частей может привести к возникновению опасной ситуации или повреждению

устройства. Для обеспечения безопасности и надежности устройства его ремонт должен выполнять квалифицированный специалист.

**⚠ ПРЕДУПРЕЖДЕНИЕ.** Во избежание травм всегда извлекайте аккумуляторы из устройства перед чисткой или обслуживанием.

## ОБЩЕЕ ОБСЛУЖИВАНИЕ

Не используйте растворители для очистки пластиковых частей. Большинство пластиковых частей чувствительны к различным бытовым растворителям и могут быть повреждены. Для очистки от грязи, пыли, масла, смазки и т. п. используйте чистую ткань.

**⚠ ПРЕДУПРЕЖДЕНИЕ.** Не допускайте попадания на пластиковые части тормозной жидкости, бензина, продуктов на нефтяной основе, пропитывающих масел и т. д. Химические вещества могут повредить, ослабить или разрушить пластик, что приведет к получению серьезных травм.

**⚠ ПРЕДУПРЕЖДЕНИЕ.** Для снижения риска пожара, получения травм и повреждения устройства от короткого замыкания никогда не погружайте инструмент, аккумулятор и зарядное устройство в жидкость и не допускайте попадания жидкости внутрь. Коррозионные и токопроводящие жидкости, такие как морская вода, некоторые промышленные химикаты, а также отбеливатели и содержащие их продукты могут стать причиной короткого замыкания.

## ХРАНЕНИЕ

1. Извлеките аккумулятор из колонки.
2. Очистите колонку от инородных материалов.
3. Храните колонку в сухом хорошо проветриваемом месте, недоступном для детей. Не храните колонку рядом с удобрениями, бензином или другими химическими веществами.

## ОХРАНА ОКРУЖАЮЩЕЙ СРЕДЫ



Не выбрасывайте электроприборы, зарядные устройства и аккумуляторные батареи вместе с бытовыми отходами! Отправьте данное изделие на переработку в специализированное предприятие или сдайте его для раздельного сбора. Электроинструменты должны быть возвращены на перерабатывающее предприятие, не наносящее ущерба окружающей среде.

## УСТРАНЕНИЕ НЕПОЛАДОК

ПРОБЛЕМА	ПРИЧИНА	РЕШЕНИЕ
Колонка не работает.	<ul style="list-style-type: none"> <li>■ Аккумулятор не установлен в колонку.</li> <li>■ Нет электрического контакта между колонкой и аккумулятором.</li> <li>■ Аккумулятор разряжен.</li> <li>■ Аккумулятор перегрелся.</li> </ul>	<ul style="list-style-type: none"> <li>■ Установите аккумулятор в колонку.</li> <li>■ Извлеките аккумулятор, проверьте контакты и установите его снова.</li> <li>■ Зарядите аккумулятор.</li> <li>■ Дайте аккумулятору остыть, пока температура не упадет ниже 67 °C.</li> </ul>
Колонка не может выполнить сопряжение с устройством Bluetooth.	<ul style="list-style-type: none"> <li>■ Колонка находится за пределами диапазона сопряжения Bluetooth.</li> </ul>	<ul style="list-style-type: none"> <li>■ Поднесите устройство ближе к колонке.</li> </ul>

## ГАРАНТИЯ

### ГАРАНТИЙНАЯ ПОЛИТИКА EGO

Посетите веб-сайт [egopowerplus.eu](http://egopowerplus.eu), чтобы ознакомиться со всеми условиями и сроками гарантийной политики EGO.

RU

## PRZECZYTAJ WSZYSTKIE INSTRUKCJE!



PRZECZYTAJ INSTRUKCJĘ OBSŁUGI

**⚠ OSTRZEŻENIE:** Aby zagwarantować bezpieczeństwo i niezawodność, wszystkie naprawy powinny być wykonywane przez wykwalifikowanych techników serwisu.

## SYMBOLY BEZPIECZEŃSTWA

Celem symboli bezpieczeństwa jest zwrócenie uwagi użytkownika na możliwe zagrożenia. Symbole bezpieczeństwa i objaśnienia do nich zasługują na to, aby je uważnie przestudiować i zrozumieć. Symbole bezpieczeństwa nie eliminują same z siebie jakichkolwiek zagrożeń. Podane w nich instrukcje i ostrzeżenia nie zastępują odpowiednich środków zapobiegania wypadkom.

**⚠ OSTRZEŻENIE:** Przed użyciem maszyny należy koniecznie przeczytać ze zrozumieniem wszystkie instrukcje dotyczące bezpieczeństwa podane w podręczniku użytkownika, łącznie z wszystkimi ostrzeżeniami oznaczonymi symbolami ostrzegawczymi takimi jak „**NIEBEZPIECZEŃSTWO**”, „**OSTRZEŻENIE**” i „**PRZESTROGA**”. Niestosowanie się do wszystkich podanych niżej instrukcji może doprowadzić do porażenia prądem, pożaru i/lub poważnych urazów ciała.

## INSTRUKCJE DOTYCZĄCE BEZPIECZEŃSTWA

Na tej stronie pokazano i opisano symbole bezpieczeństwa, które mogą występować na produkcie. Przed podjęciem próby złożenia i użycia maszyny należy przeczytać i zrozumieć wszystkie instrukcje dotyczące maszyny oraz zastosować się do nich.

PL



Ostrzeżenie dotyczące bezpieczeństwa



Aby ograniczyć ryzyko urazów, użytkownik musi przeczytać instrukcję operatora.



Bluetooth®



Zużytych wyrobów elektrycznych nie należy wyrzucać razem ze zwykłymi odpadami domowymi. Należy je oddać do autoryzowanego punktu recyklingu.



Ten produkt jest zgodny z obowiązującymi dyrektywami WE.



Znak zgodności z wymaganiami dotyczącymi produktów sprzedawanych w Wielkiej Brytanii



Prąd stały

W      Wat

Hz      Herc

m      Metr

V      Napięcie

kg      Kilogram

°C      Celsjusz

mm      Milimetr

## OGÓLNE WSKAZÓWKI DOTYCZĄCE BEZPIECZEŃSTWA UŻYWANIA MASZYNY

**⚠️ OSTRZEŻENIE: PROSIMY PRZECZYTAĆ WSZYSTKIE OSTRZEŻENIA I INSTRUKCJE ORAZ PRZESTUDIOWAĆ SPECYFIKACJĘ I ILUSTRACJE DOSTARCZONE WRAZ Z MASZYNĄ.** Niestosowanie się do wszystkich podanych niżej instrukcji może doprowadzić do porażenia prądem, pożaru i/lub poważnych obrażeń.

**WSZYSTKIE OSTRZEŻENIA I INSTRUKCJE NALEŻY ZACHOWAĆ NA PRZYSZŁOŚĆ.**

### BEZPIECZEŃSTWO W MIEJSCU PRACY

- Należy dbać o czystość i dobre oświetlenie w miejscu pracy. Bałagan i złe oświetlenie sprzyjają wypadkom.
- Maszyn nie należy używać w miejscach zagrożonych wybuchem, np. w obecności łatwopalnych cieczy, gazów lub pyłu. Maszyny wytwarzają iskry, które mogą zapalić pył lub opary.
- W czasie pracy maszynę należy trzymać z dala od dzieci i osób postronnych. Chwila nieuwagi może doprowadzić do utraty kontroli nad urządzeniem.

### BEZPIECZEŃSTWO ELEKTRYCZNE

- Wtyczki maszyn muszą pasować do gniazdka. Nigdy w jakikolwiek sposób nie wolno przerabiać wtyczki. Do maszyn wymagających uziemienia nie należy używać przejściówek. Oryginalne wtyczki i pasujące do nich gniazdka zmniejszają ryzyko porażenia prądem.
- Należy unikać dotykania ciałem powierzchni uziemionych, takich jak np. rury, kaloryfery, kuchenki i lodówki. Uziemienie ciała zwiększa ryzyko porażenia prądem.
- Nie należy nadwyręzać przewodu. Nigdy nie należy używać przewodu do noszenia lub ciągnięcia maszyny; nie wolno chwytać za przewód, aby wyjąć wtyczkę z kontaktu. Przewód należy chronić przed gorącem, ropą, olejem, ostrymi krawędziami i poruszającymi się częściami. Splątane lub uszkodzone przewody zwiększają ryzyko porażenia prądem.
- Podczas używania głośnika na zewnątrz pomieszczeń należy stosować przedłużacz nadający się do używania na dworze. Używanie przewodu przeznaczonego do stosowania na dworze zmniejsza ryzyko porażenia prądem.
- Jeżeli użycie maszyny w miejscu o dużej wilgotności jest nieuniknione, należy stosować

zasilanie zabezpieczone wyłącznikiem różnicowoprądowym. Używanie wyłącznika różnicowoprądowego zmniejsza ryzyko porażenia prądem.

### BEZPIECZEŃSTWO OSOBISTE

- Podczas używania maszyny należy zachowywać czujność, patrzeć, co się robi i kierować się zdrowym rozsądkiem. Nie należy używać maszyny, gdy użytkownik jest zmęczony, albo pod wpływem narkotyków, alkoholu lub leków. Chwila nieuwagi w czasie posługiwania się maszyną może spowodować poważne urazy.

### UŻYWANIE I UTRZYMANIE MASZYNY

- Należy dbać o to, aby uchwyty i powierzchnie do trzymania były suche, czyste i niezaplamione olejem lub smarem. Śliskie uchwyty nie pozwalają w bezpieczny sposób kontrolować maszyny w nieprzewidywalnych sytuacjach.

### UŻYWANIE I UTRZYMANIE MASZYNY AKUMULATOROWEJ

- Do ładowania należy używać wyłącznie ładowarki wskazanej przez producenta. Użycie ładowarki pochodzącej od jednego akumulatora do ładowania innego akumulatora grozi pożarem.
- Maszyn należy używać wyłącznie z dedykowanymi do nich akumulatorami. Użycie jakichkolwiek innych akumulatorów grozi obrażeniami i pożarem.
- Jeżeli akumulator nie jest używany, należy go przechowywać z dala od innych przedmiotów metalowych, np. spinaczy, monet, kluczy, gwoździ, śrub, wkrętów i innych drobnych przedmiotów metalowych, które mogłyby spowodować zwarcie wyprowadzeń akumulatora. Zwarcie wyprowadzeń akumulatora może doprowadzić do oparzeń lub pożaru.
- W niesprzyjających warunkach może dojść do wycieku cieczy z akumulatora. Należy wtedy unikać wszelkiego kontaktu z tą cieczą. W razie przypadkowego kontaktu ze skórą, zabrudzone miejsce należy obficie przemyć wodą. Jeżeli płyn dostanie się do oczu, należy dodatkowo zasięgnąć porady lekarza. Płyn wyciekający z akumulatora może powodować podrażnienie lub oparzenia.
- Nie należy używać akumulatorów lub maszyn, które są uszkodzone lub zostały poddane przeróbkom. Uszkodzone lub zmodyfikowane akumulatory mogą zachowywać się w sposób nieprzewidywalny, co może doprowadzić do pożaru lub wybuchu lub stwarzać ryzyko urazów.
- Nie należy narażać akumulatora lub maszyny na

kontakt z ogniem lub zbyt wysokimi temperaturami. Ogień lub temperatury przekraczające 130°C mogą doprowadzić do wybuchu.

- **Należy przestrzegać wszystkich instrukcji ładowania. Nie należy ładować akumulatora lub maszyny poza przedziałem temperatur podanym w instrukcji.** Ładowanie w sposób nieprawidłowy lub w temperaturze wykraczającej poza określony zakres może doprowadzić do uszkodzenia akumulatora i zwiększa ryzyko pożaru.

## SERWISOWANIE

- **Serwisowanie maszyny należy powierzać wykwalifikowanemu serwisantowi. Do naprawy należy używać wyłącznie części zamiennych identycznych z oryginalnymi.** Zapewni to bezpieczeństwo eksploatacji maszyny.
- **Uszkodzonych akumulatorów nie należy nigdy naprawiać.** Jakiegokolwiek czynności serwisowe przy akumulatorach powinny być wykonywane wyłącznie przez producenta lub pracowników autoryzowanego serwisu.

PL

## OSTRZEŻENIA DOTYCZĄCE BEZPIECZEŃSTWA DLA ZEWNĘTRZNEGO GŁOŚNIKA BLUETOOTH

- Aby zmniejszyć ryzyko pożaru lub porażenia prądem, nie należy narażać urządzenia na działanie deszczu lub wilgoci. Używać tylko w suchych pomieszczeniach.
- Urządzenia należy używać wyłącznie w miejscach dobrze wentylowanych.
- Prosimy przeczytać niniejszą instrukcję.
- Należy stosować się do wszystkich ostrzeżeń.
- Należy postępować zgodnie z wszystkimi instrukcjami.
- Urządzenia nie należy używać w pobliżu wody.
- Czyścić wyłącznie suchą ściereczką.
- Nie blokować otworów wentylacyjnych. Instalację należy wykonać zgodnie z instrukcjami producenta.
- Urządzenia nie należy instalować w pobliżu źródeł ciepła takich jak kaloryfery, nawiewy ciepłego powietrza, kuchenki lub inne urządzenia wytwarzające ciepło (w tym również wzmacniacze).
- Należy używać wyłącznie akcesoriów/osprzętu wskazanych/wskazanego przez producenta.
- Należy używać wyłącznie z wózkiem, stojakiem, statywem, uchwytem lub stolikiem określonym przez producenta lub sprzedawanym wraz z urządzeniem. W przypadku korzystania z wózka, aby nie dopuścić do urazów spowodowanych

przewróceniem się, podczas przestawiania zestawu wózek/urządzenie należy zachować ostrożność.

- **Wszystkie prace serwisowe należy zlecać wykwalifikowanemu personelowi serwisowemu.** W następujących sytuacjach konieczna jest naprawa serwisowa: gdy w urządzeniu wystąpi jakakolwiek awaria, np. gdy uszkodzeniu ulegnie przewód lub wtyczka, na urządzenie rozleje się woda, do jego środka wpadną jakieś przedmioty, urządzenie zostanie wystawione na działanie deszczu lub wilgoci, przestanie normalnie działać lub gdy urządzenie zostanie upuszczone. Serwisowanie lub konserwacja przez osobę bez odpowiednich kwalifikacji stwarza ryzyko urazów.
- **Urządzenia zasilane z baterii, wyposażone w zintegrowane baterie lub w oddzielny akumulator, należy ładować wyłącznie za pomocą ładowarki przeznaczonej do danego akumulatora.** Użycie ładowarki pochodzącej od jednego akumulatora do ładowania innego akumulatora grozi pożarem.
- **Nigdy nie należy rozmontowywać urządzenia ani próbować przerabiać jego instalacji elektrycznej.**
- **O urządzenie należy dbać. Należy kontrolować, czy części nie są źle spasowane, pęknięte lub uszkodzone w inny sposób, który mógłby wpłynąć na działanie urządzenia. W razie uszkodzenia, przed użyciem należy oddać urządzenie do naprawy. Urządzenia należy używać zgodnie z niniejszą instrukcją, z uwzględnieniem warunków i rodzaju wykonywanej pracy.** Używanie urządzenia do celów, które nie są zgodne z jego przeznaczeniem może prowadzić do niebezpiecznych sytuacji.
- **Urządzenie należy przechowywać z dala od innych przedmiotów metalowych, np. spinaczy, monet, kluczy, gwoździ, śrub i innych drobnych przedmiotów metalowych, które mogłyby spowodować zwarcie wyprowadzeń akumulatora.** Zwarcie wyprowadzeń może doprowadzić do oparzeń lub pożaru.
- **Nie należy używać urządzenia, które zostało upuszczone lub mocno uderzone.** Uszkodzone urządzenie zwiększa ryzyko pożaru.
- Zużyty akumulator należy niezwłocznie zutylizować. Chronić przed dziećmi. Nie rozmontowywać i nie wrzucać do ognia.
- **Maszyny należy używać wyłącznie ze wskazanymi akumulatorami i ładowarkami.**

Niniejszą instrukcję należy zachować. Zachęcamy do częstego korzystania z niej. Instrukcja może też posłużyć do przeszkolenia innych osób, które będą używały maszyny. Jeśli maszyna zostaje komuś wypożyczona, os-

obie tej należy również udostępnić niniejszą instrukcję, aby zapobiec niewłaściwemu użytkowaniu i możliwym urazom.

## SPECYFIKACJA

Napięcie	56 V
Napięcie zasilacza sieciowego (AC)	100-240 V~, 50/60 Hz
Moc wyjściowa	180 W
Moc wyjściowa wzmacniacza	Głośnik niskotonowy: 80 W x 1
	Głośnik wysokotonowy: 10 W x 2
	Głośnik średnionowy: 40 W x 2
Port AUX	3,5 mm
Wyjście USB-A	5 V, 2 A
Wejście/Wyjście USB-C	DC5V 3A / DC9V 3A / DC12V 3A / DC15V 3A / DC20V 5A
Zasięg Bluetooth®	> 55 m
Ciężar (bez akumulatora)	7,7 kg
Zalecana temperatura użytkowania	-15°C - 40°C
Zalecana temperatura przechowywania	-20°C - 70°C
Stopień ochrony IP	IP54* (Ochrona przed pyłem i chlapiącą wodą)

\* **UWAGA:** Stopień ochrony IP54 zależy od urządzenia.

## LISTA ELEMENTÓW W OPAKOWANIU (RYS. A1)

### OPIS

#### ZAPOZNANIE Z ZEWNĘTRZNYM GŁOŚNIKIEM BLUETOOTH (Rys. A1)

1. Uchwyt

2. Panel sterowania
3. Przycisk odblokowujący akumulator
4. Podświetlenie
5. Gumowa osłona
6. Port AUX
7. Port wyjściowy USB-A
8. Port wejścia/wyjścia USB-C
9. Kontrolka ładowania
10. Włącznik
11. Przycisk Bluetooth
12. Przycisk Łączy
13. Przycisk Głośność w dół
14. Przycisk Głośność w górę
15. Przycisk Odtwarzaj/Pauza
16. Przycisk Podbicie basów

## UŻYTKOWANIE

### ZASTOSOWANIE

Urządzenia można używać wyłącznie do celów podanych poniżej:

- Odtwarzanie dźwięku z urządzeń podłączonych bezprzewodowo lub przez kabel AUX.

### WKŁADANIE/WYJMOWANIE AKUMULATORA

Do urządzenia należy używać wyłącznie ładowarek i akumulatorów marki EGO wymienionych na Rys. A2.

Więcej informacji znaleźć można w instrukcjach do odpowiednich akumulatorów i ładowarek.

### Przed pierwszym użyciem należy naładować akumulator.

**UWAGA:** Gdy poziom naładowania akumulatora jest niski, przypomina o tym sygnał dźwiękowy.

### Wkładanie

Należy dopasować żeberka akumulatora do szczelin mocujących i wsunąć akumulator do ładowarki aż da się słyszeć kliknięcie (Rys. B1).

### Wymywanie

Należy wcisnąć przycisk odblokowujący akumulator i wysunąć akumulator (Rys. B2).

**⚠ OSTRZEŻENIE:** Gdy użytkownik naciska przycisk wymywania akumulatora, należy zawsze uważać na miejsce, w którym znajdują się stopy użytkownika oraz na to gdzie przebywają dzieci i zwierzęta. Upuszczenie

PL

akumulatora może doprowadzić do ciężkich urazów. NIGDY nie należy wyjmować akumulatora, gdy znajduje się on wysoko.

B1-1	Szczelina montażowa	B1-2	Żeberko
B1-3	Przycisk odblokowujący akumulator		

## UŻYWANIE ZASILACZA SIECIOWEGO (DO DOKUPIENIA OSOBNO)

Zasilacz sieciowy nie należy do zestawu. Jako zasilacza można używać ładowarki zgodnej z protokołem PD, o mocy większej niż 60 W oraz kabla do ładowania.

**UWAGA:** W przypadku korzystania wyłącznie z zasilacza sieciowego jakość dźwięku i głośność muzyki mogą ulec pogorszeniu.

Otworzyć gumową osłonę i podłączyć wtyczkę zasilacza sieciowego do portu wejścia/wyjścia USB-C z tyłu głośnika. Podłączyć zasilacz do standardowego kontaktu (Rys. C1).

PL

Gdy podłączony jest zasilacz, włożony akumulator jest automatycznie ładowany. Mała świecąca kropka nad symbolem kontrolki ładowania zacznie migać na biało. Gdy akumulator zostanie w pełni naładowany, mała świecąca kropka zacznie świecić białym światłem ciągłym. Gdy mała kropka świeci światłem ciągłym na czerwono, oznacza to, że akumulator jest uszkodzony (Rys. C2).

Gdy urządzenie nie jest używane, zasilacz sieciowy powinien być odłączony od zasilania (wtyczka wyjęta z kontaktu).

**UWAGA:** Po podłączeniu zasilacza sieciowego możliwe jest ładowanie akumulatora i podłączonych do portu wyjściowego USB-A urządzeń USB takich jak telefony komórkowe, odtwarzacze MP3 itp.

**INFORMACJA:** Aby chronić porty przed kurzem, brudem i wilgocią, po każdym użyciu należy zawsze zakładać gumową osłonę.

C1-1	Zasilacz sieciowy (AC)	C1-2	Port wejścia/wyjścia USB-C
C1-3	Gumowa osłona	C2-1	Mała kropka
C2-2	Kontrolka ładowania		

## WŁĄCZANIE I WYŁĄCZANIE GŁOŚNIKA (Rys. D)

Aby włączyć głośnik, należy krótko nacisnąć włącznik. Kontrolka włącznika będzie świecić światłem ciągłym, a sygnał dźwiękowy poinformuje o nawiązaniu połączenia.

Aby wyłączyć głośnik, wystarczy jeszcze raz nacisnąć włącznik. Rozłączenie zostanie potwierdzone sygnałem dźwiękowym.

**UWAGA:** Jeśli z głośnika nie będzie odtwarzana muzyka lub nie będzie żadnego sygnału wyjściowego na portach USB-A lub USB-C, po 20 minutach głośnik wyłączy się automatycznie.

D-1	Włącznik
-----	----------

## TRYB PRACY BLUETOOTH® (Rys. E)

Po włączeniu głośnika automatycznie rozpocznie się parowanie Bluetooth®, co zostanie zasygnalizowane migającym na biało przyciskiem Bluetooth®.

- Włączyć funkcję Bluetooth® w podłączonym urządzeniu (smartfon itp.) i wybrać z listy „EGO SK1800E” jako urządzenie docelowe, które zostanie podłączone przez złącze Bluetooth®.
- Po pomyślnym połączeniu urządzenia rozlegnie się sygnał dźwiękowy, a przycisk Bluetooth® pozostanie podświetlony.

**UWAGA:** Jeśli wcześniej zostało już przeprowadzone parowanie z jakimś urządzeniem, po włączeniu głośnika głośnik automatycznie ponownie się z nim połączy.

**UWAGA:** Jeśli w głośniku nagle zaniknie dźwięk lub zaczną być odtwarzane dźwięki z innych odtwarzaczy/nośników, oznacza to, że kontrolę nad głośnikiem przejęło jakieś inne podłączone urządzenie i że odtwarzany jest z niego jakiś utwór.

Tryb parowania Bluetooth® będzie aktywny tylko przez 3 minuty i wyłączy się automatycznie, jeśli żadne urządzenie nie zostanie podłączone/sparowane.

Po krótkim naciśnięciu przycisku Bluetooth®, przycisk Bluetooth® zacznie migać, informując, że można połączyć się z urządzeniem.

Do głośnika można przez złącze Bluetooth® podłączyć jednocześnie dwa urządzenia.

- Po podłączeniu pierwszego urządzenia należy nacisnąć przycisk Bluetooth®, tak aby zaczął migać.
- Gdy przycisk Bluetooth® zacznie migać, należy na drugim urządzeniu wybrać z listy urządzenie „EGO SK1800E” i nawiązać połączenie z głośnikiem. Po pomyślnym nawiązaniu połączenia zostanie odtworzony komunikat głosowy informujący o połączeniu z drugim urządzeniem.

**UWAGA:** Jeśli wystąpią problemy z odtwarzaniem, należy ponownie uruchomić głośnik.



**Aby odłączyć urządzenie Bluetooth®**, należy: Nacisnąć i przez ponad 2 sekundy przytrzymać przycisk Bluetooth® lub odłączyć głośnik na swoim urządzeniu.

E-1	Przycisk Bluetooth®
-----	---------------------

### ŁĄCZENIE WIELU GŁOŚNIKÓW SK1800E ZA POMOCĄ SYSTEMU LINK (Rys. F1, F2)

Za pomocą łącza można połączyć ze sobą do 100 głośników SK1800E.

Należy włączyć głośniki i upewnić się, że jeden z głośników jest połączony z urządzeniem przez złącze Bluetooth.

Głośnik połączony z urządzeniem będzie pełnił rolę „hosta” i będzie mógł sterować odtwarzaniem (głośnością, funkcjami odtwarzaj/pauza itd.).

**UWAGA:** Po ustawieniu głośności w „hoście”, pozostałe podłączone głośniki natychmiast dostosują swoje ustawienia do tego samego poziomu głośności co w „hoście”.

Nacisnąć i przez ponad 2 sekundy przytrzymać przycisk Łączy w głośniku-hosta i głośniku dodatkowym. Gdy podłączony głośnik odtwarza muzykę „hosta”, oznacza to, że oba głośniki są ze sobą automatycznie połączone.

**UWAGA:** Jeśli użytkownik zechce później połączyć się z trzecim, czwartym lub dziewiętnastym dziesiątym głośnikiem, wystarczy nacisnąć i przez ponad 2 sekundy przytrzymać przycisk ŁĄCZE na dodatkowym/-ych głośniku/-ach.

Odległość między dwoma połączonymi ze sobą głośnikami nie może przekraczać 40 metrów na otwartej przestrzeni.

Aby rozłączyć system ŁĄCZA, należy nacisnąć i przez ponad 2 sekundy przytrzymać przycisk Łączy na urządzeniu-hosta lub na krótko wyłączyć pozostałe głośniki.

Przycisk Łączy umożliwia nie tylko połączenie ze sobą wielu głośników, ale także sterowanie podświetleniem. Aby włączyć lub wyłączyć podświetlenie, wystarczy nacisnąć przycisk ŁĄCZE. Gdy nie jest odtwarzana żadna muzyka, podświetlenie będzie stopniowo przygasać, aż do całkowitego wyłączenia, a następnie stopniowo powróci do maksymalnej jasności.

F1-1	Przycisk Łączy	F2-1	Podświetlenie
------	----------------	------	---------------

### USTAWIANIE GŁOŚNOŚCI (Rys. G)

Głośnik posiada 16 poziomów głośności.

- Aby zmniejszyć głośność, należy jeden raz nacisnąć przycisk „-”, co spowoduje zmniejszenie głośności o jeden poziom.

- Naciśnięcie i przytrzymanie przycisku „-” pozwala zmniejszać głośność stopniowo. Gdy głośność osiągnie żądany poziom, użytkownik może puścić przycisk „-”.
  - Aby zwiększyć głośność, należy jeden raz nacisnąć przycisk „+”, co spowoduje zwiększenie głośności o jeden poziom.
  - Naciśnięcie i przytrzymanie przycisku „+” pozwala zwiększać głośność stopniowo. Gdy głośność osiągnie żądany poziom, użytkownik może puścić przycisk „+”.
- Regulacja głośności pozwala nie korygować głośność głośnika, ale także głośność urządzenia.

**UWAGA:** Gdy głośność zostanie ustawiona na maksimum, sygnał dźwiękowy informuje o tym, że osiągnięty został maksymalny poziom głośności.

G-1	Przyciski zmniejszania i zwiększania głośności
-----	--

### PRZCISK ODTWARZAJ/PAUZA (Rys. H)

Aby rozpocząć lub wstrzymać odtwarzanie muzyki, należy nacisnąć przycisk Odtwarzaj/Pauza.

Aby przejść do następnego utworu/pliku, wystarczy dwukrotnie szybko nacisnąć przycisk Odtwarzaj/Pauza.

H-1	Przycisk Odtwarzaj/Pauza
-----	--------------------------

### PODBICIE BASÓW (Rys. I)

- Aby wzmocnić basy, wystarczy nacisnąć przycisk Podbicie basów. Przycisk Podbicie basów pozostanie podświetlony, co stanowi informację o wzmocnieniu basów.
- Ponowne naciśnięcie przycisku Podbicie basów spowoduje powrót basów do normalnego poziomu. Przycisk Podbicie basów zgaśnie.

I-1	Przycisk Podbicie basów
-----	-------------------------

### TRYB PRACY AUX (Rys. J)

Zdjąć gumową osłonę i do portu AUX podłączyć kabel AUX (do dokupienia osobno). Upewnić się, że kabel jest prawidłowo podłączony.

Drugi koniec kabla AUX podłączyć do zewnętrznego źródła muzyki (odtwarzacz MP3 lub podobne urządzenie).

Włączyć głośnik i rozpocząć odtwarzanie.

Po zakończeniu odtwarzania odłączyć kabel AUX.

**UWAGA:** Przez połączenie przez złącze AUX nie można ładować akumulatorów.

PL

**UWAGA:** Gdy głośnik zostaje wyłączony, podłączone do niego urządzenie nie zostaje automatycznie wyłączone.

J-1	Port AUX	J-2	Port wyjściowy USB-A
J-3	Gumowa osłona	J-4	Port wejścia/ wyjścia USB-C

## PORTY ZASILANIA USB (Rys. J)

Po zainstalowaniu akumulatora lub podłączeniu głośnika do zasilacza sieciowego i włączeniu głośnika, port wyjściowy USB-A i port wejścia/wyjścia USB-C będą dostarczać energię do ładowania urządzeń o niskim poborze mocy, takich jak telefony komórkowe, odtwarzacze MP3 itp. Po zakończeniu ładowania należy natychmiast odłączyć urządzenie USB.

**UWAGA:** Port wyjściowy USB-A nie może być używany do odtwarzania nagrań dźwiękowych. Odtwarzanie nagrań dźwiękowych jest możliwe tylko przez złącze Bluetooth lub połączenie AUX.

PL

**INFORMACJA:** Aby chronić porty przed kurzem, brudem i wilgocią, po każdym użyciu należy zawsze zakładać gumową osłonę.

## KONSERWACJA

**⚠ OSTRZEŻENIE:** Do serwisowania należy używać wyłącznie części zamiennych identycznych z oryginalnymi. Używanie jakichkolwiek innych części stwarza ryzyko i może spowodować usterkę produktu. Aby zagwarantować bezpieczeństwo i niezawodność, wszystkie naprawy powinny być wykonywane przez wykwalifikowanych techników serwisu.

**⚠ OSTRZEŻENIE:** Aby uniknąć poważnych urazów ciała, na czas czyszczenia lub wykonywania prac konserwacyjnych należy zawsze wyjmować z urządzenia akumulator.

## KONSERWACJA OGÓLNA

Podczas czyszczenia części plastikowych należy unikać używania rozpuszczalników. Pod wpływem kontaktu z różnego rodzaju rozpuszczalnikami dostępnymi w handlu

większość tworzyw może ulec uszkodzeniu. Do usuwania zabrudzeń, kurzu, oleju, smaru itp. należy używać czystej ściereczki.

**⚠ OSTRZEŻENIE:** Nigdy nie należy dopuszczać do kontaktu elementów plastikowych z substancjami takimi jak płyn hamulcowy, benzyna, produkty ropopochodne, oleje penetrujące itp. Substancje chemiczne mogą uszkodzić, osłabić lub zniszczyć tworzywa, co może w konsekwencji spowodować poważne obrażenia.

**⚠ OSTRZEŻENIE:** Aby zmniejszyć ryzyko pożaru, obrażeń ciała i uszkodzenia produktu w wyniku zwarcia, nigdy nie należy zanurzać maszyny, akumulatora ani ładowarki w płynach; nie należy też pozwalać, aby płyny dostały się do środka. Płyny żrące lub przewodzące, takie jak woda morską, niektóre chemikalia przemysłowe, wybielacze lub produkty zawierające wybielacze itp. mogą doprowadzić do zwarcia.

## PRZECHOWYWANIE

1. Wyjąć akumulator z głośnika.
2. Usunąć z głośnika wszystkie materiały obce.
3. Głośnik należy przechowywać w suchym, dobrze wentylowanym miejscu niedostępnym dla dzieci. Głośnika nie należy przechowywać na nawozach lub w ich pobliżu; to samo dotyczy benzyny oraz innych substancji chemicznych.

## OCHRONA ŚRODOWISKA



Urządzeń elektrycznych, zużytych akumulatorów i ładowarki nie należy wyrzucać do zwykłych zmieszanych śmieci domowych! Produkt należy oddać do zbiórki selektywnej w autoryzowanym punkcie recyklingu. Elektronarzędzia należy oddawać do przyjaznego dla środowiska zakładu recyklingu.

## ROZWIĄZYWANIE PROBLEMÓW

PROBLEM	PRZYCZYNA	ROZWIĄZANIE
Głośnik nie działa.	<ul style="list-style-type: none"><li>■ Do głośnika nie został założony akumulator.</li><li>■ Brak połączenia elektrycznego między głośnikiem a akumulatorem.</li><li>■ Akumulator jest rozładowany.</li><li>■ Akumulator jest zbyt gorący.</li></ul>	<ul style="list-style-type: none"><li>■ Założyć do głośnika akumulator.</li><li>■ Wyjąć akumulator, sprawdzić styki i założyć akumulator z powrotem.</li><li>■ Naładować akumulator.</li><li>■ Pozwolić akumulatorowi ostygnąć do temperatury poniżej 67°C (152°F).</li></ul>
Głośnika nie można prawidłowo sparować z urządzeniem Bluetooth.	<ul style="list-style-type: none"><li>■ Poza zakresem parowania Bluetooth.</li></ul>	<ul style="list-style-type: none"><li>■ Przybliżyć urządzenie do głośnika.</li></ul>

## GWARANCJA

### POLITYKA GWARANCYJNA EGO

W celu zapoznania się z wszystkimi warunkami polityki gwarancyjnej EGO prosimy wejść na stronę [egopowerplus.eu](http://egopowerplus.eu).

PL

## PŘEČTĚTE SI VŠECHNY POKYNY!



**PŘEČTĚTE SI NÁVOD K OBSLUZE**

**VAROVÁNÍ:** Z důvodu zajištění bezpečnosti a spolehlivosti musí všechny opravy provádět kvalifikovaný servisní technik.

## BEZPEČNOSTNÍ SYMBOLY

Účelem bezpečnostních symbolů je upoutat vaši pozornost k případným nebezpečím. Bezpečnostní symboly a jejich vysvětlení vyžadují vaši zvýšenou pozornost a porozumění. Výstražné symboly samy o sobě nevyklučují žádné nebezpečí. Pokyny a varování, zde uvedené, nejsou náhradou vhodných opatření pro prevenci úrazů.

**VAROVÁNÍ:** Před použitím tohoto stroje si přečtěte a porozumějte všem bezpečnostním pokynům v tomto návodu k obsluze, včetně všech bezpečnostních výstražných symbolů, jako jsou „**NEBEZPEČÍ**“, „**VAROVÁNÍ**“ a „**UPOZORNĚNÍ**“. Nedodržení níže uvedených pokynů může mít za následek úraz elektrickým proudem, požár anebo vážná zranění osob.

## BEZPEČNOSTNÍ POKYNY

Na této stránce jsou zobrazeny a popsány bezpečnostní symboly, které se mohou na výrobku objevit. Před montáží a provozem si přečtěte, seznámte se a dodržujte veškeré pokyny ke stroji.

**CZ**



Bezpečnostní upozornění



Z důvodu snížení rizika úrazu si musí uživatel přečíst návod k obsluze.



Bluetooth®



Odpadní elektrické výrobky se nesmí likvidovat s domovním odpadem. Odevzdejte do autorizovaného recyklačního závodu.



Tento výrobek je v souladu s platnými směrnici ES.



Posouzení shody ve Spojeném království



Stejnoseměrný proud

W Watt

Hz Hertz

m Meter

V Napětí

kg Kilogram

°C Celsius

mm Milimetr

## VŠEOBECNÁ BEZPEČNOSTNÍ UPOZORNĚNÍ PRO STROJ

**⚠ VAROVÁNÍ: PŘEČTĚTE SI VŠECHNY BEZPEČNOSTNÍ VÝSTRAHY, POKYNY, ILUSTRACE A TECHNICKÉ ÚDAJE DODANÉ S TÍMTO STROJEM.** Nedodržení všech níže uvedených pokynů může vést k úrazu elektrickým proudem, požáru a/nebo vážnému úrazu.

### VŠECHNA VAROVÁNÍ A POKYNY USCHOVEJTE PRO BUDOUCÍ POUŽITÍ.

#### BEZPEČNOST NA PRACOVIŠTI

- Udržujte pracovní prostor v čistotě a dobře osvětlený. Nepřehledné nebo tmavé prostory jsou místem nehod.
- Nepoužívejte stroje ve výbušném prostředí, například v přítomnosti hořlavých kapalin, benzínu nebo prachu. Stroje jsou zdrojem jiskření, které může zapálit prach nebo výpary.
- Při práci se strojem udržujte děti a přihlížející osoby v bezpečné vzdálenosti. Nesoustředěnost může způsobit ztrátu kontroly.

#### ELEKTRICKÁ BEZPEČNOST

- Zástrčky stroje musí odpovídat zásuvce. V žádném případě nikdy neupravujte zástrčku. Nepoužívejte žádné adaptérové zástrčky s uzemněnými stroji. Neupravené zástrčky a vhodné zásuvky snižují riziko úrazu elektrickým proudem.
- Zabraňte kontaktu těla s uzemněnými povrchy, jako jsou potrubí, radiátory, sporáky a ledničky. Existuje zvýšené riziko úrazu elektrickým proudem, pokud je vaše tělo uzemněno.
- Nepoužívejte kabel nevhodným způsobem. Nikdy nepoužívejte kabel k přenášení, vytahování nebo odpojování stroje z elektrické sítě. Udržujte kabel daleko od tepla, oleje, ostrých hran nebo pohyblivých částí. Poškozené nebo spletené kabely zvyšují riziko úrazu elektrickým proudem.
- Při provozu reproduktoru venku použijte prodlužovací kabel vhodný pro venkovní použití. Použití kabelu vhodného pro venkovní použití snižuje riziko úrazu elektrickým proudem.
- Pokud musíte se strojem pracovat ve vlhkém prostředí, použijte přerušovač zemního spojení. Použití přerušovače zemního obvodu (GFCI) snižuje riziko úrazu elektrickým proudem.

#### BEZPEČNOST OSOB

- Při práci se strojem buďte stále pozorní, sledujte,

co děláte a používejte zdravý rozum. Nepoužívejte stroj, jste-li unaveni nebo pod vlivem drog, alkoholu nebo léků. Jediná chvilka nepozornosti při práci se strojem může mít za následek vážný úraz.

#### POUŽITÍ A PÉČE O STROJ

- Udržujte rukojeti a uchopovací plochy suché, čisté, bez oleje a maziva. Kluzké rukojeti a plochy pro uchopení neumožňují bezpečnou manipulaci se strojem a jeho ovládání v nečekaných situacích.

#### POUŽITÍ A PÉČE O AKUMULÁTOROVÝ STROJ

- K nabíjení používejte pouze nabíječku doporučenou výrobcem. Nabíječka vhodná pro jeden typ akumulátoru může způsobit riziko požáru při použití s jiným akumulátorem.
- Stroje používejte pouze se specifikovanými akumulátory. Použití jiných akumulátorů může způsobit riziko úrazu a požárů.
- Pokud akumulátor nepoužíváte, držte jej z dosahu kovových předmětů, jako jsou kancelářské sponky na papír, mince, klíče, hřebíky, šroubky nebo další drobné kovové předměty, které mohou spojit vývody akumulátoru navzájem. Zkratování kontaktů akumulátoru může způsobit popáleniny nebo požár.
- V nevhodných podmínkách může z akumulátoru unikat kapalina. Zabraňte kontaktu. Při náhodném kontaktu opláchněte zasažené místo vodou. Při zasažení očí kapalinou vyhledejte lékařskou pomoc. Unikající kapalina z akumulátoru může způsobit podráždění pokožky nebo popáleniny.
- Nepoužívejte akumulátor nebo stroj, který je poškozen nebo upraven. Poškozené nebo upravené akumulátory mohou mít nepředvídatelné chování, které může vést k požáru, výbuchu nebo nebezpečí zranění.
- Nevystavujte akumulátor ani stroj ohni nebo příliš vysoké teplotě. Při vystavení ohni nebo teplotě nad 130 °C může dojít k výbuchu.
- Dodržujte všechny pokyny pro nabíjení a nenabíjejte akumulátor nebo stroj mimo rozsah teplot uvedených v pokynech. Nesprávné nabíjení nebo nabíjení při teplotách mimo stanovený rozsah může poškodit akumulátor a zvýšit riziko požáru.

#### SERVIS

- Servis vašeho stroje svěřte kvalifikovanému opraváři, který používá pouze originální náhradní díly. Tím zajistíte bezpečnost stroje.
- Nikdy neopravujte poškozené akumulátory. Servis akumulátorů může provádět pouze výrobce nebo autorizovaní poskytovatelé služeb.

CZ

## BEZPEČNOSTNÍ UPOZORNĚNÍ PRO VENKOVNÍ BLUETOOTH REPRODUKTOR

- Abyste snížili riziko požáru nebo úrazu elektrickým proudem, nevystavujte tento přístroj dešti nebo vlhkosti. Použítí pouze na suchém místě.
- Tento přístroj používejte pouze v dobře větraném prostoru.
- Přečtěte si tyto pokyny.
- Dbejte všech varování.
- Postupujte podle všech pokynů.
- Nepoužívejte tento přístroj v blízkosti vody.
- Čistěte pouze suchým hadříkem.
- Neblokujte žádné větrací otvory. Instalaci proveďte podle pokynů výrobce.
- Neinstalujte v blízkosti zdrojů tepla, jako jsou radiátory, topná tělesa, sporák nebo jiné přístroje (včetně zesilovačů), které produkují teplo.
- Používejte pouze nástavce/příslušenství určené výrobcem.
- Používejte pouze s vozíkem, stojanem, stativem, držákem nebo stolem určeným výrobcem nebo prodáváním se zařízením. Pokud se používá vozík, dbejte při přemísťování kombinace vozíku a přístroje zvýšené opatrnosti, aby nedošlo ke zranění v důsledku převrácení.
- Veškeré servisní práce svěřte kvalifikovanému servisnímu personálu. Servis je nutný, pokud byl přístroj jakýmkoli způsobem poškozen, např. je poškozený napájecí kabel nebo zástrčka, došlo a rozliti tekutiny nebo pádu předmětů do přístroje, přístroj byl vystaven dešti nebo vlhkosti, nefunguje normálně nebo byl upuštěn na zem. Servis nebo údržba prováděné nekvalifikovanou osobou mohou vést k nebezpečí úrazu.
- Bateriový přístroj s integrovanými bateriemi nebo samostatným akumulátorem se smí dobít pouze určenou nabíječkou pro akumulátor. Nabíječka může být vhodná pro jeden typ akumulátoru může způsobit požár při použití s jiným typem akumulátoru.
- Nikdy přístroj nerozebírejte ani se nepokoušejte o jakékoli přepojování elektrického systému přístroje.
- Údržba přístroje. Zkontrolujte, zda nedošlo k chybnému seřízení, poškození dílů k jakémukoli jinému stavu, který by mohl ovlivnit provoz přístroje. Pokud je přístroj poškozen, nechte jej před použitím opravit. Přístroj používejte v souladu s těmito pokyny a s ohledem na pracovní podmínky a prováděné práce. Použití zařízení na činnostech jině,

než je určující použití, může vést k nebezpečným situacím.

- Přístroj uchovávejte mimo dosah jiných kovových předmětů, jako jsou kancelářské sponky, mince, klíče, hřebíky, šrouby nebo jiné malé kovové předměty, které by mohly vytvořit spojení z jedné svorky na druhou. Zkratování svorek může způsobit popáleniny nebo požár.
- Přístroj nepoužívejte, pokud vám upadl nebo jste do něj prudce udeřili. Poškozený přístroj zvyšuje riziko požáru.
- Použitý akumulátor ihned zlikvidujte. Uchovávejte mimo dosah dětí. Nerozebírejte a nevhazujte do ohně.
- Používejte pouze s uvedenými akumulátory a nabíječkami.

Tyto pokyny uchovejte pro budoucí použití. Často se na ně odkazujte a používejte je k instruování ostatních, kteří mohou tento stroj používat. Pokud stroj někomu půjčíte, půjčte mu také tento návod k obsluze, aby nedošlo k nesprávnému použití výrobku nebo případně k úrazu.

## TECHNICKÉ ÚDAJE

Napětí	56 V
Napětí síťového adaptéru	100-240 V~, 50/60 Hz
Výstupní výkon	180 W
Výkonový výstup zesilovače	Basový reproduktor: 80W x1 Výškový reproduktor: 10W x 2 Středový reproduktor: 40W x 2
Port AUX	3,5 mm
Výstup USB-A	5 V, 2 A
Vstup/výstup USB-C	DC5V 3A / DC9V 3A / DC12V 3A / DC15V 3A / DC20V 5A
Bluetooth® dosah	> 55 m
Hmotnost (bez akumulátoru)	7,7 kg
Doporučená provozní teplota	-15 °C až 40 °C
Doporučená skladovací teplota	-20 °C až 70 °C

Stupeň ochrany před vniknutím	IP54* (Ochrana před prachem a stříkající vodou)
-------------------------------	---

\* **POZNÁMKA:** Stupeň krytí IP54 se vztahuje na přístroj.

## OBSAH BALENÍ (OBR. A1)

### POPIS

#### SEZNAMTE SE S VAŠÍM VENKOVNÍM BLUETOOTH REPRODUKTOREM (obr. A1)

1. Rukojeť
2. Ovládací panel
3. Tlačítko pro uvolnění akumulátoru
4. Pulzující světlo
5. Gumový kryt
6. Port AUX
7. Výstupní port USB-A
8. Vstupní/výstupní port USB-C
9. Ukazatel stavu nabití
10. Hlavní vypínač
11. Tlačítko Bluetooth
12. Tlačítko propojení
13. Tlačítko pro snížení hlasitosti
14. Tlačítko zvýšení hlasitosti
15. Tlačítko přehrávání/pauzy
16. Tlačítko pro zvýšení basů

## OBSLUHA

### POUŽITÍ

Výrobek lze použít k následujícím účelům:

- Přehrávání zvuku ze zařízení připojených bezdrátově nebo pomocí kabelu AUX.

### INSTALACE/VYJMUTÍ AKUMULÁTORU

Používejte pouze EGO akumulátory a nabíječky uvedené na obr. A2.

Další podrobnosti naleznete v příslušných příručkách k akumulátorům a nabíječkám.

#### Před prvním použitím akumulátor plně nabijte.

**POZNÁMKA:** Na nízký stav nabití akumulátoru upozorní zvukový signál.

### Instalace

Vyrovnejte žebra akumulátoru s montážními drážkami a zatlačte akumulátor dolů, dokud neuslyšíte „cvaknutí“ (obr. B1).

### Vyjmutí

Stiskněte tlačítko pro uvolnění akumulátoru a vytáhněte akumulátor (obr. B2).

**VAROVÁNÍ:** Při stisku tlačítka pro uvolnění akumulátoru dávejte pozor na nohy, děti nebo domácí zvířata. Pokud akumulátor upadne, může dojít k vážnému úrazu. NIKDY nevyjímajte akumulátor, když jste ve vysoké poloze.

B1-1	Instalační otvor	B1-2	Výstupek
B1-3	Tlačítko pro uvolnění akumulátoru		

### POUŽITÍ NAPÁJECÍHO ADAPTÉRU (NENÍ SOUČÁSTÍ DODÁVKY)

Síťový adaptér není součástí dodávky. Jako napájecí adaptér lze použít adaptér a nabíjecí kabel, které vyhovují protokolu PD a mají výkon vyšší než 60 W.

CZ

**POZNÁMKA:** Při použití samotného napájecího adaptéru může dojít k ovlivnění kvality zvuku a hlasitosti hudby.

Otevřete gumový kryt a zasuňte zástrčku napájecího adaptéru do vstupního/výstupního portu USB-C na zadní straně reproduktoru. Zapojte adaptér do standardní elektrické zásuvky (obr. C1).

Kdykoli je připojen napájecí adaptér, vložený akumulátor se automaticky nabíjí. Malá kontrolka nad symbolem indikátoru nabití bude blikat bíle. Když je akumulátor plně nabitý, svítí malá kontrolka bíle. Pokud malá kontrolka svítí červeně, znamená to, že je akumulátor vadný (obr. C2).

Pokud síťový adaptér nepoužíváte, měl by být odpojen od elektrické zásuvky.

**POZNÁMKA:** Akumulátor a USB zařízení, jako jsou mobilní telefony, MP3 přehrávače atd., připojené k výstupnímu portu USB-A, lze nabíjet po připojení síťového adaptéru.

**POZNÁMKA:** Po každém použití vždy zavřete gumový kryt, abyste chránili porty před prachem, nečistotami a vlhkostí.

C1-1	Síťový adaptér	C1-2	Vstupní/výstupní port USB-C
C1-3	Gumový kryt	C2-1	Malá tečka
C2-2	Ukazatel stavu nabití		

## ZAPÍNÁNÍ A VYPÍNÁNÍ REPRODUKTORU (obr. D)

Krátce stiskněte hlavní vypínač, reproduktor se zapne, kontrolka hlavního vypínače zůstane rozsvícená a připojení ohlásí zvuk.

Chcete-li reproduktor vypnout, krátce stiskněte hlavní vypínač. Zvuk oznámí odpojení.

**POZNÁMKA:** reproduktor se automaticky vypne po 20 minutách, pokud není přehrávána žádná hudba nebo není žádný výstup z portů USB-A nebo USB-C.

D-1	Hlavní vypínač
-----	----------------

## PROVOZNÍ REŽIM BLUETOOTH® (obr. E)

**CZ**

Po zapnutí reproduktoru se automaticky zapne párování Bluetooth®, které je indikováno bíle blikajícím tlačítkem Bluetooth®.

- Aktivujte funkci Bluetooth® na připojovaném zařízení (chytrý telefon nebo podobný přístroj) a vyberte „EGO SK1800E“ jako cíl připojení Bluetooth® na vašem zařízení.
- Po úspěšném připojení zařízení se ozve zvuk a tlačítko Bluetooth® zůstane rozsvícené.

**POZNÁMKA:** Pokud byl reproduktor dříve spárován s požadovaným zařízením, po zapnutí reproduktoru se automaticky znovu připojí ke stejnému zařízení.

**POZNÁMKA:** Pokud reproduktor náhle nemá zvuk nebo přehrává zvuk jiného média, znamená to, že druhé připojené zařízení převzalo ovládání reproduktoru a zobrazilo tichou reklamu nebo přehrává skladbu.

Režim párování Bluetooth® bude aktivní pouze 3 minuty a automaticky se vypne, pokud není připojeno/spárováno žádné zařízení.

Krátce stiskněte tlačítko Bluetooth®, začne blikat tlačítko Bluetooth®, které signalizuje, že lze připojit zařízení.

K reproduktoru lze přes Bluetooth® připojit dvě zařízení současně.

- Po připojení prvního zařízení stiskněte tlačítko Bluetooth®, dokud nezačne blikat.
- Jakmile tlačítko Bluetooth® začne blikat, vyberte „EGO SK1800E“ na druhém zařízení a připojte jej

k reproduktoru. Po úspěšném připojení se ozve hlasové oznámení, že bylo připojeno druhé zařízení.

**POZNÁMKA:** Pokud dojde k problému s přehráváním, restartujte reproduktor.

**Odpojení Bluetooth® zařízení:** Stiskněte a podržte tlačítko Bluetooth® déle než 2 sekundy nebo odpojte reproduktor od zařízení.

E-1	Bluetooth® tlačítko
-----	---------------------

## PŘIPOJENÍ VÍCE JEDNOTEK SK1800E POMOCÍ PROPOJENÍ (obr. F1, F2)

Pomocí propojení lze připojit až 100 reproduktů SK1800E.

Zapněte reproduktory a ujistěte se, že jeden z reproduktů je připojen k zařízení přes Bluetooth.

Reproduktor připojený k zařízení bude fungovat jako „hostitelská“ jednotka a může ovládat přehrávání (hlasitost, přehrávání/pauza atd.).

**POZNÁMKA:** Jakmile je hlasitost nastavena na „hostitelské“ jednotce, ostatní připojené reproduktory se okamžitě nastaví na stejnou úroveň hlasitosti jako na „hostitelské“ jednotce.

Stiskněte a podržte tlačítko propojení déle než 2 sekundy na „hostitelském“ a sekundárním reproduktoru. Když připojený reproduktor přehrává hudbu „hostitelské“ jednotky, znamená to, že oba reproduktory jsou automaticky vzájemně propojeny.

**POZNÁMKA:** Pokud se chcete ke třetímu, čtvrtému nebo devadesátému devátému reproduktoru připojit později, stačí stisknout a podržet tlačítko LINK na přídatném reproduktoru (přídatných reproduktorech) déle než 2 sekundy.

Vzdálenost mezi dvěma propojenými reproduktory nesmí v otevřeném poli přesáhnout 40 metrů.

Chcete-li systém LINK odpojit, stiskněte a podržte tlačítko propojení déle než 2 sekundy na „hostitelské“ jednotce nebo krátce vypněte ostatní reproduktory.

Kromě připojení více reproduktů může tlačítko propojení ovládat také pulzující světlo. Stisknutím tlačítka LINK zapněte nebo vypněte pulzující světlo. Když nehraje žádná hudba, pulzující světlo se postupně ztlumí až úplně zhasne a poté se postupně vrátí na maximální jas.

F1-1	Tlačítko propojení	F2-1	Pulzující světlo
------	--------------------	------	------------------



### NASTAVENÍ HLASITOSTI (obr. G)

Reproduktor má 16 úrovní hlasitosti.

- Chcete-li snížit hlasitost, stiskněte jednou tlačítko „-“ a hlasitost se sníží o jeden stupeň.
- Stisknutím a podržením tlačítka „-“ postupně snižujete hlasitost. Tlačítko „-“ můžete přestat mačkat, jakmile hlasitost dosáhne požadované úrovně.
- Chcete-li zvýšit hlasitost, stiskněte jednou tlačítko „+“ pro zvýšení hlasitosti o jednu úroveň.
- Chcete-li hlasitost postupně zvyšovat, stiskněte a podržte tlačítko „+“. Když hlasitost dosáhne požadované hlasitosti, můžete přestat tisknout tlačítko „+“.

Nastavení hlasitosti může nejen upravit hlasitost reproduktoru, ale také může upravit hlasitost na zařízení.

**POZNÁMKA:** Po nastavení maximální hlasitosti se ozve zvukové upozornění, že bylo dosaženo maximální hlasitosti.

G-1	Tlačítko pro snížení a zvýšení hlasitosti
-----	---

### PŘEHRÁVÁNÍ/PAUZA (obr. H)

Stisknutím tlačítka přehrávání/pauzy spustíte nebo pozastavíte přehrávání hudby.

Dvakrát rychle stiskněte tlačítko přehrávání/pauzy pro přechod na další skladbu/soubor.

H-1	Tlačítko přehrávání/pauzy
-----	---------------------------

### ZVÝŠENÍ BASŮ (obr. I)

- Stisknutím tlačítka pro zvýšení basů zesílíte basy. Tlačítko pro zvýšení basů zůstane svítit, což znamená, že jsou basy zesíleny.
- Dalším stisknutím tlačítka pro zvýšení basů vrátíte basy na normální úroveň. Kontrolka tlačítka pro zvýšení basů zhasne.

I-1	Tlačítko pro zvýšení basů
-----	---------------------------

### PROVOZNÍ REŽIM AUX (obr. J)

Otevřete gumový kryt, vložte kabel AUX (není součástí dodávky) do portu AUX a ujistěte se, že je správně připojen.

Připojte externí zdroj hudby (přehrávač MP3 nebo podobný) k druhému konci kabelu AUX.

Zapněte reproduktor a spusťte přehrávání.

Po skončení přehrávání odpojte kabel AUX.

**POZNÁMKA:** Akumulátory připojených zařízení nelze nabíjet přes připojení AUX.

**POZNÁMKA:** Po vypnutí reproduktoru se připojené zařízení automaticky vypne.

J-1	Port AUX	J-2	Výstupní port USB-A
J-3	Gumový kryt	J-4	Vstupní/výstupní port USB-C

### NAPÁJECÍ PORTY USB (obr. J)

Pokud je na reproduktoru nainstalován akumulátor nebo je reproduktor připojen k síťovému adaptéru a reproduktor je zapnutý, výstupní port USB-A a vstupní/výstupní port USB-C budou napájet zařízení s nízkou spotřebou energie, jako jsou mobilní telefony, přehrávače MP3 atd. Po nabíjení okamžitě odpojte zařízení USB.

**POZNÁMKA:** Výstupní port USB-A nelze použít pro přehrávání zvuku. Přehrávání zvuku je možné pouze prostřednictvím připojení Bluetooth nebo AUX.

**POZNÁMKA:** Po každém použití vždy zavřete gumový kryt, abyste chránili porty před prachem, nečistotami a vlhkostí.

### ÚDRŽBA

**VAROVÁNÍ:** Při opravách používejte pouze originální náhradní díly. Použití jiných dílů může představovat riziko nebo může způsobit poškození výrobku. Z důvodu zajištění bezpečnosti a spolehlivosti musí všechny opravy provádět kvalifikovaný servisní technik.

**VAROVÁNÍ:** Aby nedošlo k vážnému úrazu, vždy při čištění nebo jiné údržbě vyjměte z výrobku akumulátor.

### CELKOVÁ ÚDRŽBA

K čištění plastových dílů nepoužívejte rozpouštědla. Většina plastů je náchylná k poškození různými typy komerčních rozpouštědel a jejich použití je může poškodit. K odstranění nečistot, prachu, oleje, maziva atd. použijte čistý hadr.

CZ

**⚠ VAROVÁNÍ:** Nikdy nedovolte, aby došlo ke styku plastových částí s brzdovými kapalinami, benzinem, ropnými produkty, penetračními oleji atd. Chemické látky mohou poškodit, zeslabit nebo poškodit plast, což může vést k vážnému úrazu.

**⚠ VAROVÁNÍ:** Abyste snížili riziko požáru, zranění osob a poškození výrobku v důsledku zkratu, nikdy neponořujte stroj, akumulátor nebo nabíječku do kapaliny ani nedovolte, aby do nich proudila tekutina. Korozivní nebo vodivé kapaliny, jako je mořská voda, určité průmyslové chemikálie a výrobky obsahující bělidla nebo bělidla atd., mohou způsobit zkrat.

### SKLADOVÁNÍ

1. Vyměňte akumulátor z reproduktoru.
2. Vyčistěte reproduktor od cizích materiálů.
3. Reproduktor skladujte na suchém, dobře větraném místě, mimo dosah dětí. Neskladujte reproduktor na hnojivech, benzínu nebo jiných chemikáliích nebo v jejich blízkosti.

### OCHRANA ŽIVOTNÍHO PROSTŘEDÍ



Elektrické zařízení, použité akumulátory a nabíječku nevhazujte do domovního odpadu! Předějte tento výrobek autorizované recyklační společnosti ke tříděnému sběru. Elektrické nářadí musí být vráceno do zařízení pro ekologickou recyklaci.

## ODSTRAŇOVÁNÍ ZÁVAD

PROBLÉM	PŘÍČINA	ŘEŠENÍ
Reproduktor nefunguje.	<ul style="list-style-type: none"> <li>■ Akumulátor není připojen k reproduktoru</li> <li>■ Mezi reproduktorem a akumulátorem není žádný elektrický kontakt.</li> <li>■ Akumulátor je vybitý.</li> <li>■ Akumulátor je příliš horký.</li> </ul>	<ul style="list-style-type: none"> <li>■ Připojte akumulátor k reproduktoru.</li> <li>■ Vyměňte akumulátor, zkontrolujte kontakty a znovu ji nainstalujte.</li> <li>■ Nabijte akumulátor.</li> <li>■ Chladte akumulátor, dokud jeho teplota neklesne pod 67 °C (152 °F).</li> </ul>
Reproduktor nelze správně spárovat se zařízením Bluetooth.	<ul style="list-style-type: none"> <li>■ Mimo dosah párování Bluetooth.</li> </ul>	<ul style="list-style-type: none"> <li>■ Přiblížte zařízení k reproduktoru.</li> </ul>

## ZÁRUKA

### ZÁRUČNÍ PODMÍNKY SPOLEČNOSTI EGO

Úplné záruční podmínky společnosti EGO naleznete na webové stránce [egopowerplus.eu](http://egopowerplus.eu).

**CZ**

## PREČÍTAJTE SI VŠETKY POKYNY!



PREČÍTAJTE SI NÁVOD NA OBSLUHU

**VAROVANIE:** Pre zaistenie bezpečnosti a spoľahlivosti je nevyhnutné, aby všetky opravy vykonával len kvalifikovaný servisný technik.

## BEZPEČNOSTNÉ SYMBOLY

Účelom bezpečnostných symbolov je upozorniť na možné nebezpečenstvá. Venujte príslušnú pozornosť a pochopte bezpečnostné symboly a ich vysvetlenia. Varovné symboly, samy o sebe, nedokážu eliminovať nebezpečenstvo. Pokyny a varovania, ktoré obsahujú, nie sú náhradou za vhodné opatrenia na prevenciu úrazov.

**VAROVANIE:** Pred použitím tohto stroja si prečítajte a pochopte všetky bezpečnostné pokyny v tomto návode na obsluhu vrátane všetkých bezpečnostných výstražných symbolov ako napríklad „**NEBEZPEČENSTVO**“, „**VAROVANIE**“ a „**UPOZORNENIE**“. Nedodržanie všetkých nižšie uvedených pokynov môže mať za následok úraz elektrickým prúdom, požiar a/alebo vážne zranenie osôb.

## BEZPEČNOSTNÉ POKYNY

Táto strana zobrazuje a popisuje bezpečnostné symboly, ktoré sa objavujú na tomto výrobku. Pred pokusom o zostavenie a prevádzkovanie si prečítajte, pochopte a dodržiavajte všetky pokyny na stroji.



Bezpečnostné upozornenie



Používateľ si musí prečítať návod na obsluhu, aby znížil riziko úrazu.



Bluetooth®



Odpadové elektrické výrobky sa nesmú likvidovať spolu s domovým odpadom. Zaneste do autorizovaného recyklačného strediska.



Tento výrobok je v súlade s platnými smernicami ES.



Posúdenie zhody v Spojenom kráľovstve



Jednosmerný prúd

W Watt

Hz Hertz

m Meter

V Napätie

kg Kilogram

°C Celzius

mm Milimeter

SK

## VŠEOBECNÉ BEZPEČNOSTNÉ UPOZORNENIA TÝKAJÚCE SA STROJA

**⚠ VAROVANIE: PREČÍTAJTE SI VŠETKY BEZPEČNOSTNÉ VAROVANIA, POKYNY, ILUSTRÁCIE A ŠPECIFIKÁCIE DODANÉ S TÝMTO STROJOM.**

Nedodržanie nižšie uvedených pokynov môže mať za následok úraz elektrickým prúdom, požiar a/alebo vážne zranenie.

**ODLOŽTE SI VŠETKY VAROVANIA A POKYNY PRE BUDÚCE POUŽITIE.**

### BEZPEČNOSŤ PRACOVISKA

- **Udržiavajte pracovisko čisté a dobre osvetlené.** Neprehľadné alebo tmavé priestory vedú k nehodám.
- **Nepoužívajte stroje vo výbušnom prostredí, napríklad v prítomnosti horľavých kvapalín, plynov alebo prachu.** Stroje vytvárajú iskry, ktoré môžu zapáliť prach alebo výpary.
- **Pri používaní stroja udržiavajte deti a okolostojace osoby mimo pracoviska.** Rozptyľovanie pozornosti môže viesť ku strate kontroly.

### ELEKTRICKÁ BEZPEČNOSŤ

- **Zástrčka stroja musí zodpovedať elektrickej zásuvke. Nikdy a žiadnym spôsobom nemodifikujte zástrčku. Nepoužívajte žiadne rozbočovacie zástrčky s uzemneným strojom.** Neupravené zástrčky a vhodné zásuvky obmedzia nebezpečenstvo úrazu elektrickým prúdom.
- **Zabráňte kontaktu tela s uzemnenými povrchmi, ako sú rúry, radiátory, sporáky a chladničky.** Dochádza k zvýšeniu rizika úrazu elektrickým prúdom, ak je vaše telo uzemnené.
- **Nepoužívajte kábel nesprávnym spôsobom. Nikdy nepoužívajte kábel na nosenie, ťahanie alebo odpájanie stroja. Udržujte kábel v dostatočnej vzdialenosti od zdrojov tepla, oleja, ostrých hrán alebo pohyblivých častí.** Poškodená alebo zamotaná šnúra zvyšuje riziko zasiahnutia elektrickým prúdom.
- **Pri prevádzke reproduktora vo vonkajšom prostredí použite predlžovací kábel vhodný na vonkajšie použitie.** Použitie kábla vhodného pre použitie v exteriéroch znižuje riziko úrazu elektrickým prúdom.
- **Ak je používanie stroja vo vlhkom prostredí nevyhnutné, použite napájanie chránené prerušovačom obvodu uzemnenia.** Použitie GFCI znižuje riziko úrazu elektrickým prúdom.

### BEZPEČNOSŤ OSÔB

- **Buďte pozorní, sledujte to, čo robíte a používajte zdravý rozum pri práci so strojom. Nepoužívajte stroj, ak ste unavení alebo pod vplyvom drog, alkoholu alebo liekov.** Chvilková nepozornosť pri práci so strojom môže mať za následok vážne zranenie.

### POUŽÍVANIE STROJA A STAROSTLIVOSŤ

- **Udržujte rukoväte a uchopovacie plochy suché, čisté, bez oleja a maziva.** Klzké držiadlá a uchopovacie plochy neumožňujú bezpečnú manipuláciu so strojom a jeho ovládanie v nečakaných situáciách.

### POUŽÍVANIE A STAROSTLIVOSŤ O AKUMULÁTOROVÝ STROJ

- **Nabíjajte len pomocou nabíjačky špecifikovanej výrobcom.** Nabíjačka, ktorá je vhodná pre jeden typ akumulátora, môže predstavovať pri nabíjaní iného typu akumulátora nebezpečenstvo.
- **Používajte stroje a s výslovné určenými akumulátormi.** Použitie iných typov akumulátorov môže spôsobiť riziko úrazu a požiaru.
- **Ak akumulátor nepoužívate, uchovávajte ho mimo dosahu iných kovových predmetov, ako sú kancelárske spinky, mince, kľúče, kince, skrutky alebo iné malé kovové predmety, ktoré môžu vytvoriť spojenie medzi jednotlivými pólmí.** Skratovanie kontaktov akumulátora môže spôsobiť popáleniny alebo požiar.
- **Za nevhodných podmienok môže z akumulátora uniknúť kvapalina. Zabráňte kontaktu. Pri náhodnom kontakte opláchnite vodou. Pri zasiahnutí očí vyhľadajte lekársku pomoc.** Unikajúca kvapalina z akumulátora môže spôsobiť podráždenie pokožky alebo popáleniny.
- **Nepoužívajte akumulátor alebo stroj, ktoré sú poškodené alebo upravené.** Poškodené alebo upravené akumulátory môžu mať nepredvídateľné chovanie, ktoré môže viesť k požiaru, výbuchu alebo nebezpečenstvu poranenia.
- **Nevystavujte akumulátor ani stroj ohňu alebo nadmernej teplote.** Pri vystavení ohňu alebo teplote nad 130 °C môže dôjsť k výbuchu.
- **Dodržujte všetky pokyny pre nabíjanie a nenabíjajte akumulátor alebo stroj mimo teplotného rozsahu uvedeného v pokynoch.** Nesprávne nabíjanie alebo nabíjanie pri teplotách mimo stanovený rozsah môže poškodiť akumulátor a zvýšiť riziko požiaru.

### OPRAVA

- **Nechajte váš stroj opraviť kvalifikovanou osobou**

SK

s použitím iba identických náhradných dielov. Tým sa zabezpečí, že bezpečnosť stroja zostane zachovaná.

- Nikdy neopravujte poškodené akumulátory. Servis akumulátorov smie robiť iba výrobca alebo autorizovaní servisní poskytovatelia.

## BEZPEČNOSTNÉ UPOZORNENIA PRE VONKAJŠÍ BLUETOOTH REPRODUKTOR

- Aby ste znížili riziko požiaru alebo úrazu elektrickým prúdom, nevystavujte tento prístroj dažďu alebo vlhkosti. Používajte len na suchom mieste.
- Tento prístroj používajte len na dobre vetranom mieste.
- Prečítajte si tieto pokyny.
- Dbajte na všetky varovania.
- Postupujte podľa všetkých pokynov.
- Nepoužívajte tento prístroj v blízkosti vody.
- Čistite len suchou handričkou.
- Neblokujte žiadne vetracie otvory. Montáž vykonajte v súlade s pokynmi výrobcu.
- Zariadenie neinštalujte v blízkosti zdrojov tepla, ako sú radiátory, ohrievače, kachle alebo iné prístroje (vrátane zosilňovačov), ktoré produkujú teplo.
- Používajte len prídavné zariadenia/príslušenstvo určené výrobcom.
- Používajte len s vozíkom, stojanom, statívom, konzolou alebo stolíkom, ktoré špecifikoval výrobca alebo ktoré sa predávajú spolu s prístrojom. Ak sa používa vozík, pri premiestňovaní kombinácie vozík/prístroj postupujte opatrne, aby nedošlo k zraneniu v dôsledku prevrátenia.
- Všetky servisné práce zverte kvalifikovanému servisnému personálu. Servis je potrebný, ak bol prístroj akýmkoľvek spôsobom poškodený, napríklad ak je poškodený napájaci kábel alebo zástrčka, ak sa do prístroja vyliala tekutina alebo doň spadli predmety, ak bol prístroj vystavený dažďu alebo vlhkosti, ak nefunguje normálne alebo ak ho niekto zhodil. Servis alebo údržba vykonávaná nequalifikovaným personálom môže viesť k riziku poranenia.
- Akumulátorový prístroj s integrovanými batériami alebo samostatným akumulátorom sa musí nabíjať len pomocou určenej nabíjačky pre batérie. Nabíjačka, ktorá môže byť vhodná pre jeden typ batérie, môže pri použití s inou batériou spôsobiť riziko požiaru.
- Prístroj nikdy nerozoberajte ani sa nepokúšajte prepájať elektrický systém prístroja.
- Údržba prístroja. Skontrolujte, či nedošlo k nesprávnemu nastaveniu, poškodeniu dielov

a iným stavom, ktoré môžu ovplyvniť prevádzku prístroja. Ak je prístroj poškodený, nechajte ho pred použitím opraviť. Prístroj používajte v súlade s týmito pokynmi s ohľadom na pracovné podmienky a vykonávanú prácu. Použitie prístroja na iné operácie, než na aké je určený, by mohlo viesť k nebezpečnej situácii.

- Prístroj uchovávajte mimo dosahu iných kovových predmetov, ako sú kancelárske spinky, mince, kľúče, klince, skrutky alebo iné malé kovové predmety, ktoré môžu vytvoriť spojenie z jednej svorky do druhej. Skratovanie svoriek môže spôsobiť popálenie alebo požiar.
- Prístroj nepoužívajte, ak vám spadol alebo dostal tvrdý úder. Poškodený prístroj zvyšuje riziko vzniku požiaru.
- Použitú batériu okamžite zlikvidujte. Uschovajte mimo dosahu detí. Nerozoberajte a nevhadzujte do ohňa.
- Používajte len s uvedenými akumulátormi a nabíjačkami.

**Odložte si tieto pokyny.** Často na ne odkazujte a používajte ich na poučenie ostatných, ktorí môžu tento stroj používať. Ak niekomu požičiate tento stroj, odovzdajte mu aj tieto pokyny, aby sa zabránilo zneužitiu výrobku a prípadnému zraneniu.

## TECHNICKÉ ÚDAJE

Napätie	56 V
Napätie pre sieťový adaptér	100-240 V~, 50/60 Hz
Výstupný výkon	180 W
Výstupný výkon zosilňovača	Basový reproduktor: 80 W x1
	Výškový reproduktor: 10 W x 2
	Stredový reproduktor: 40 W x 2
AUX Port	3,5 mm
Výstup USB-A	5 V, 2 A
Vstup/výstup USB-C	DC5V 3A / DC9V 3A / DC12V 3A / DC15V 3A / DC20V 5A
Dosah Bluetooth®	> 55 m
Hmotnosť (bez akumulátora)	7,7 kg
Odporúčaná prevádzková teplota	-15 °C - 40 °C
Odporúčaná skladovacia teplota	-20 °C - 70 °C
Stupeň ochrany pred vniknutím	IP54* (Ochrana pred prachom a striekajúcou vodou)

\* **POZNÁMKA:** Stupeň krytia IP54 sa vzťahuje na prístroj.

## OBSAH BALENIA (OBR. A1)

### POPIS

#### ZOZNÁMTE SA S VAŠIM VONKAJŠÍM BLUETOOTH REPRODUKTOROM (obr. A1)

1. Rukoväť
2. Ovládací panel
3. Tlačidlo na uvoľnenie akumulátora
4. Pulzujúce svetlo
5. Gumový kryt
6. AUX Port

7. Výstupný port USB-A
8. Vstupný/výstupný port USB-C
9. Kontrolka nabíjania
10. Hlavný vypínač
11. Tlačidlo Bluetooth
12. Tlačidlo prepojenia
13. Tlačidlo na zníženie hlasitosti
14. Tlačidlo na zvýšenie hlasitosti
15. Tlačidlo prehrávania/pozastavenia
16. Tlačidlo zvýšenia basov

## PREVÁDZKA

### POUŽITIE

Tento výrobok môžete použiť na tieto uvedené účely:

- Prehrávanie zvuku zo zariadení pripojených bezdrôtovo alebo pomocou kábla AUX.

### PRIPOJENIE/ODPOJENIE AKUMULÁTORA

Používajte iba EGO akumulátory a nabíjačky uvedené na obr. A2.

Ďalšie podrobnosti nájdete v príslušných návodoch pre akumulátory a nabíjačky.

### Pred prvým použitím úplne nabite.

**POZNÁMKA:** Pri nízkom stave nabitia akumulátora sa ozve zvukové upozornenie.

### Pripojenie

Zarovnajte rebrá akumulátora s montážnymi štrbinami a stlačte akumulátor nadol, až kým nebudete počuť „kliknutie“ (obr. B1).

### Odpojenie

Stlačte tlačidlo na uvoľnenie akumulátora a vytiahnite akumulátor (obr. B2).

**VAROVANIE:** Vždy majte na pamäti umiestnenie vašich nôh, polohu detí, či zvierat pri stlačení tlačidla pre uvoľnenie akumulátora. Mohlo by dôjsť k vážnemu zraneniu v prípade vypadnutia akumulátora. NIKDY nevyberajte akumulátor, ak sa nachádzate vo vysokej polohe.

B1-1	Montážny otvor	B1-2	Výstupok
B1-3	Tlačidlo na uvoľnenie akumulátora		

SK

## POUŽITIE AC NAPÁJACIEHO ADAPTÉRA (NIE JE SÚČASŤOU DODÁVKY)

Sieťový adaptér nie je súčasťou balenia. Ako napájací adaptér možno použiť adaptér a nabíjací kábel, ktoré sú v súlade s protokolom PD a majú výkon vyšší ako 60 W.

**POZNÁMKA:** Pri použití samotného sieťového adaptéra môže dôjsť k ovplyvneniu kvality zvuku a hlasitosti hudby.

Otvorte gumový kryt a zasuňte zástrčku sieťového adaptéra do vstupného/výstupného portu USB-C na zadnej strane reproduktora. Zapojte adaptér do štandardnej elektrickej zásuvky (obr. C1).

Vždy, keď je pripojený napájací adaptér, vložený akumulátor sa automaticky nabíja. Malá bodová kontrolka nad symbolom kontrolky nabíjania bude blikať na bielo. Keď je akumulátor úplne nabitý, malá bodová kontrolka bude svietiť bielou farbou. Keď malá bodová kontrolka svieti červenou farbou, znamená to, že akumulátor je chybný (obr. C2).

Ak sa sieťový adaptér nepoužíva, mal by byť odpojený od elektrickej zásuvky.

**POZNÁMKA:** Akumulátor a zariadenia USB, ako sú mobilné telefóny, prehrávače MP3 atď., pripojené k výstupnému portu USB-A sa môžu nabíjať po pripojení sieťového adaptéra.

**POZNÁMKA:** Po každom použití vždy zatvorte gumový kryt, aby ste chránili porty pred prachom, nečistotami a vlhkosťou.

C1-1	Sieťový adaptér	C1-2	Vstupný/výstupný port USB-C
C1-3	Gumový kryt	C2-1	Malá bodová kontrolka
C2-2	Kontrolka nabíjania		

## Zapínanie a vypínanie reproduktora (obr. D)

Krátko stlačte hlavný vypínač, reproduktor sa zapne, kontrolka hlavného vypínača zostane rozsvietená a pripojenie oznámi zvuk.

Ak chcete reproduktor vypnúť, krátko stlačte hlavný vypínač. Odpojenie sa ohlásí zvukom.

**POZNÁMKA:** reproduktor sa automaticky vypne po 20 minútach, ak sa neprehráva žiadna hudba alebo nie je výstup z portov USB-A alebo USB-C.

D-1	Hlavný vypínač
-----	----------------

## OPERAČNÝ REŽIM BLUETOOTH® (obr. E)

Po zapnutí reproduktora sa automaticky zapne párovanie Bluetooth®, ktoré je indikované bielym blikajúcim tlačidlom Bluetooth®.

- Aktivujte funkciu Bluetooth® na zariadení, ktoré má byť pripojené (smartfón alebo podobné zariadenie) a vyberte „EGO SK1800E“ ako cieľ pripojenia Bluetooth® na vašom zariadení.
- Po úspešnom pripojení zariadenia sa ozve zvuk a tlačidlo Bluetooth® zostane rozsvietené.

**POZNÁMKA:** Ak bol reproduktor predtým spárovaný s požadovaným zariadením, po zapnutí reproduktora sa automaticky znovu pripojí k tomu istému zariadeniu.

**POZNÁMKA:** Ak reproduktor zrazu nemá zvuk alebo prehráva zvuk iného média, znamená to, že druhé pripojené zariadenie prevzalo kontrolu nad reproduktorom a zobrazilo tichú reklamu alebo prehráva skladbu.

Režim párovania Bluetooth® bude aktívny iba 3 minúty a automaticky sa vypne, ak nie je pripojené/párované žiadne zariadenie.

Krátko stlačte tlačidlo Bluetooth®, začne blikať tlačidlo Bluetooth®, ktoré signalizuje, že je možné pripojiť zariadenie.

K reproduktoru možno prostredníctvom rozhrania Bluetooth® pripojiť dve zariadenia súčasne.

- Po pripojení prvého zariadenia stlačte tlačidlo Bluetooth®, kým nezačne blikať.
- Keď začne blikať tlačidlo Bluetooth®, vyberte na druhom zariadení položku „EGO SK1800E“ a pripojte ho k reproduktoru. Po úspešnom pripojení sa ozve hlasové hlásenie, že druhé zariadenie bolo pripojené.

**POZNÁMKA:** Ak sa vyskytne problém s prehrávaním, reštartujte reproduktor.

**Odpojenie zariadenia Bluetooth®:** Stlačte a podržte tlačidlo Bluetooth® dlhšie ako 2 sekundy alebo odpojte reproduktor na zariadení.

E-1	Bluetooth® Button
-----	-------------------

## PRIPOJENIE VIACERÝCH JEDNOTIEK SK1800E POMOCOU PREPOJENIA (obr. F1, F2)

Pomocou prepojenia možno pripojiť až 100 reproduktorov SK1800E.

Zapnite reproduktory a skontrolujte, či je jeden z reproduktorov pripojený k zariadeniu cez Bluetooth.



Reproduktor pripojený k zariadeniu bude fungovať ako „hostiteľská“ jednotka a môže ovládať prehrávanie (hlasitosť, prehrávanie/pozastavenie atď.).

**POZNÁMKA:** Po nastavení hlasitosti na „hostiteľskej“ jednotke sa ostatné pripojené reproduktory okamžite prispôbia rovnakej úrovni hlasitosti ako „hostiteľská“ jednotka.

Stlačte a podržte tlačidlo prepojenia na viac ako 2 sekundy na „hostiteľskom“ a sekundárnom reproduktore. Keď pripojený reproduktor prehráva hudbu z „hostiteľskej“ jednotky, znamená to, že oba reproduktory sú automaticky navzájom prepojené.

**POZNÁMKA:** Ak sa chcete neskôr pripojiť k tretiemu, štvrtému alebo deväťdesiatemu deviatemu reproduktoru, stačí na ďalších reproduktoroch stlačiť a podržať tlačidlo prepojenia dlhšie ako 2 sekundy.

Vzdialenosť medzi dvoma prepojenými reproduktormi nesmie presiahnuť 40 metrov na otvorenom priestranstve.

Stlačením a podržaním tlačidla prepojenia na viac ako 2 sekundy na „hostiteľskej“ jednotke alebo krátkym vypnutím ostatných reproduktorov odpojte systém LINK.

Okrem pripojenia viacerých reproduktorov môže tlačidlo prepojenia ovládať aj pulzujúce svetlo. Stlačením tlačidla prepojenia zapnete alebo vypnete pulzujúce svetlo. Keď sa neprehrá žiadna hudba, pulzujúce svetlo sa postupne stlmí až úplne vypne a potom sa postupne vráti na maximálny jas.

F1-1	Tlačidlo prepojenia	F2-1	Pulzujúce svetlo
------	---------------------	------	------------------

### NASTAVENIE HLASITOSTI (obr. C)

Reproduktor má 16 úrovní hlasitosti.

- Ak chcete znížiť hlasitosť, stlačte raz tlačidlo „-“, čím znížite hlasitosť o jeden stupeň.
- Stlačením a podržaním tlačidla „-“ postupne znížite hlasitosť. Keď hlasitosť dosiahne požadovanú úroveň, môžete prestať stláčať tlačidlo „-“.
- Ak chcete zvýšiť hlasitosť, stlačte raz tlačidlo „+“, čím zvýšite hlasitosť o jeden stupeň.
- Stlačením a podržaním tlačidla „+“ postupne zvyšujete hlasitosť. Keď hlasitosť dosiahne požadovanú úroveň, môžete prestať stláčať tlačidlo „+“.

Nastavením hlasitosti môžete upraviť nielen hlasitosť reproduktora, ale aj hlasitosť zariadenia.

**POZNÁMKA:** Keď je hlasitosť nastavená na maximum, zvuk oznámi, že sa dosiahla maximálna hlasitosť.

G-1	Tlačidlo na zníženie a zvýšenie hlasitosti
-----	--

### PREHRÁVANIE/POZASTAVENIA (obr. H)

Stlačením tlačidla prehrávania/pozastavenia spustíte alebo pozastavíte prehrávanie hudby.

Stlačením tlačidla prehrávania/pozastavenia dvakrát rýchlo prejdete na ďalšiu skladbu/súbor.

H-1	Tlačidlo prehrávania/pozastavenia
-----	-----------------------------------

### ZVÝŠENIE BASOV (obr. I)

- Stlačením tlačidla zvýšenia basov zosilníte basy. Tlačidlo zvýšenia basov zostane rozsvietené, čo znamená, že basy sú zosilnené.
- Opätovným stlačením tlačidla zvýšenia basov vrátite basy na normálnu úroveň. Kontrolka tlačidla basov sa vypne.

I-1	Tlačidlo zvýšenia basov
-----	-------------------------

### OPERAČNÝ REŽIM AUX (obr. J)

Otvorte gumový kryt, vložte kábel AUX (nie je súčasťou balenia) do portu AUX a skontrolujte, či je správne pripojený.

Na druhý koniec kábla AUX pripojte externý zdroj hudby (prehrávač MP3 alebo podobný).

Zapnite reproduktor a spustíte prehrávanie.

Po skončení prehrávania odpojte kábel AUX.

**POZNÁMKA:** Batérie pripojených zariadení nie je možné nabíjať prostredníctvom pripojenia AUX.

**POZNÁMKA:** Po vypnutí reproduktora sa pripojené zariadenie automaticky nevypne.

J-1	AUX Port	J-2	Výstupný port USB-A
J-3	Gumový kryt	J-4	Vstupný/výstupný port USB-C

### Napájacie porty USB (obr. J)

Keď je nainštalovaný akumulátor alebo je reproduktor pripojený k sieťovému adaptéru a reproduktor je zapnutý, výstupný port USB-A a vstupný/výstupný port USB-C budú dodávať energiu na nabíjanie zariadení s nízkou spotrebou energie, ako sú mobilné telefóny, prehrávače MP3 atď. Po nabíjaní okamžite odpojte zariadenie USB.

SK

**POZNÁMKA:** Výstupný port USB-A nemožno použiť na prehrávanie zvuku. Prehrávanie zvuku je možné len prostredníctvom pripojenia Bluetooth alebo AUX.

**POZNÁMKA:** Po každom použití vždy zatvorte gumový kryt, aby ste chránili porty pred prachom, nečistotami a vlhkosťou.

## ÚDRŽBA

**⚠ VAROVANIE:** Pri údržbe používajte iba originálne náhradné diely. Použitie iných častí môže vyvolať nebezpečenstvo, alebo spôsobiť poškodenie výrobku. Pre zaistenie bezpečnosti a spoľahlivosti je nevyhnutné, aby všetky opravy vykonával len kvalifikovaný servisný technik.

**⚠ VAROVANIE:** Pri čistení alebo vykonávaní údržby vždy vyberte akumulátor z výrobku, aby nedošlo k vážnemu zraneniu.

## VŠEOBECNÁ ÚDRŽBA

Na čistenie plastových dielov nepoužívajte rozpúšťadlá. Väčšina plastov je náchylná na poškodenie rôznymi typmi komerčných rozpúšťadiel a môžu sa poškodiť, ak sa rozpúšťadlá použijú. Použite čistú handru na odstránenie nečistôt, prachu, oleja, maziva, atď.

**⚠ VAROVANIE:** Nikdy nedovoľte, aby sa brzdové kvapaliny, benzín, ropné výrobky, penetračné oleje atď. dostali do kontaktu s plastovými časťami. Chemické látky môžu poškodiť, oslabiť alebo zničiť plast, čo môže viesť k vážnemu zraneniu.

**⚠ VAROVANIE:** Aby ste znížili riziko požiaru, zranenia osôb a poškodenia výrobku v dôsledku skratu, nikdy neponárajte váš stroj, akumulátor alebo nabíjačku do tekutiny a nedovoľte, aby do nich pretiekla tekutina. Korozívne alebo vodivé kvapaliny, ako je morská voda, určité priemyselné chemikálie a bieliadlá alebo výrobky obsahujúce bieliadlá atď., môžu spôsobiť skrat.

## USKLADNENIE

1. Vyberte akumulátor z reproduktora.
2. Z reproduktora vyčistite všetok cudzí materiál.
3. Reproduktor skladujte na suchom, dobre vetranom mieste, mimo dosahu detí. Reproduktor neskladujte na hnojivách, benzíne alebo iných chemikáliách, ani v ich blízkosti.

## OCHRANA ŽIVOTNÉHO PROSTREDIA



Nevyhadzujte elektrické zariadenia, nabíjačku a použité akumulátory do domového odpadu! Tento výrobok odhste na autorizované recyklačné miesto a poskytnite ho na separovaný zber. Elektrické náradie sa musí odovzdať do ekologického recyklačného zariadenia.

SK

## ODSTRÁŇOVANIE PORÚCH

PROBLÉM	PRÍČINA	RIEŠENIE
Reproduktor nefunguje.	<ul style="list-style-type: none"> <li>■ Akumulátor nie je pripojený k reproduktoru</li> <li>■ Medzi reproduktorom a akumulátorom nie je žiadny elektrický kontakt.</li> <li>■ Akumulátor je vybitý.</li> <li>■ Akumulátor je príliš horúci.</li> </ul>	<ul style="list-style-type: none"> <li>■ Pripojte akumulátor k reproduktoru.</li> <li>■ Vyberte akumulátor, skontrolujte kontakty a akumulátor nainštalujte naspäť.</li> <li>■ Nabite akumulátor.</li> <li>■ Chladte akumulátor, kým jeho teplota neklesne pod 67 °C (152 °F).</li> </ul>
Reproduktor sa nedokáže správne spárovať so zariadením Bluetooth.	<ul style="list-style-type: none"> <li>■ Mimo dosahu párovania Bluetooth.</li> </ul>	<ul style="list-style-type: none"> <li>■ Posuňte zariadenie bližšie k reproduktoru.</li> </ul>

## ZÁRUKA

### ZÁRUČNÁ POLITIKA EGO

Úplné znenie záručných podmienok EGO nájdete na webovej stránke [egopowerplus.eu](http://egopowerplus.eu).

**SK**

## OLVASSA EL AZ ÖSSZES UTASÍTÁST!



OLVASSA EL A HASZNÁLATI ÚTMUTATÓT

**▲ FIGYELMEZTETÉS:** A biztonságosság és megbízhatóság biztosítása érdekében minden javítást szakképzett szerviztechnikusnak kell elvégeznie.

## BIZTONSÁGI SZIMBÓLUMOK

A biztonsági szimbólumok célja, hogy felhívják a figyelmet az esetleges veszélyekre. Nagyon figyeljen a biztonsági szimbólumokra és magyarázatokra, ill. ezek megértésére. A szimbólumok figyelmeztetései önmagukban nem hártják el a veszélyeket. Az utasítások és figyelmeztetések nem helyettesítik a megfelelő balesetmegelőző intézkedéseket.

**▲ FIGYELMEZTETÉS:** Használat előtt feltétlenül olvassa el és értse meg a jelen kezelési útmutatóban található valamennyi biztonsági utasítást, valamint a „VESZÉLY”, „FIGYELMEZTETÉS” és „FIGYELEM” biztonsági figyelmeztető szimbólumokat. Az alább felsorolt utasítások be nem tartása áramütést, tűzveszélyt és/vagy súlyos személyi sérülést idézhet elő.

## BIZTONSÁGI ELŐÍRÁSOK

Ezen az oldalon olyan biztonsági szimbólumok láthatók és olvashatók, amelyek megjelenhetnek a terméken. Az összeszerelés vagy működtetés előtt olvassa el, értse meg és tartsa be a gép minden utasítását.



Biztonsági figyelmeztetés



A sérülések kockázatának csökkentése érdekében a használatnak el kell olvasnia a használati útmutatót.



Bluetooth®



Az elhasznált elektromos termékek nem helyezhetők a háztartási hulladékok közé. Vigye hivatalos újrahasznosító telephelyre.



A termék megfelel az érvényes EK irányelveknek.



Az Egyesült Királyság szerinti megfelelés értékelve



Egyenáram

W Watt

Hz Hertz

m Méter

V Feszültség

kg Kilogramm

°C Celsius

mm Milliméter

## ÁLTALÁNOS GÉPBIZTONSÁGI FIGYELMEZTETÉSEK

**▲ FIGYELMEZTETÉS: OLVASSA EL A GÉPHEZ MELLÉKELT ÖSSZES BIZTONSÁGI FIGYELMEZTETÉST, UTASÍTÁST, ILLUSZTRÁCIÓT ÉS SPECIFIKÁCIÓT.** Az alább felsorolt utasítások be nem tartása áramütést, tűzveszélyt és/vagy súlyos sérülést idézhet elő.

**ŐRIZZEN MEG MINDEN UTASÍTÁST ÉS FIGYELMEZTETÉST, HOGY KÉSŐBB IS ELŐ TUDJA MAJD VENNI.**

### A MUNKATERÜLET BIZTONSÁGA

- A munkaterület legyen tiszta és jól megvilágított. A munkaterületen uralkodó rendetlenségnek vagy a rossz megvilágításnak baleset lehet a következménye.
- Ne használja a szerszámot robbanásveszélyes környezetben, például olyan helyen, ahol éghető folyadékok, benzin vagy porok vannak jelen. A szerszám szikrákat képez, amelyek meggyújthatják a port vagy gázt.
- Tartsa távol a gyermekeket és a közelben tartózkodó személyeket, amikor a szerszámmal dolgozik. Ha megzavarják, elveszítheti uralmát a készülék felett.

### ELEKTROMOS BIZTONSÁG

- A szerszám csatlakozóinak illeszkedniük kell az aljzathoz. Soha és semmiképpen se módosítsa a csatlakozódugót. Ne használjon adapteres csatlakozódugókat a (földelt) szerszámokhoz. Az eredeti csatlakozódugó és megfelelő hálózati aljzat alkalmazásával megelőzi az áramütés veszélyét.
- Ne érjen földelt felületekhez, ilyenek pl. a csövek, fűtőtestek, tűzhelyek vagy hűtőszekrények. Az áramütés kockázata nagyobb, ha a teste le van földelve.
- Ne használja a kábelt helytelen módon. Soha ne a vezetéknel fogva hordozza, húzza, vagy válassza le a szerszámot. Tartsa távol a vezetéket hőtől, olajtól, éles szegélyektől és mozgó alkatrészektől. A sérült vagy összegabalyodott hálózati kábelek megnövelik az áramütés veszélyét.
- A hangszóró szabadtéri üzemeltetéséhez használjon szabadterén használható hosszabbító kábelt. A szabadterén használható kábel alkalmazása csökkenti az áramütés kockázatát.
- Ha elkerülhetetlen, hogy a gépet nedves helyen működtesse, használjon földelő áramkörü megszakítóval (GFCI) ellátott tápellátást. A GFCI használata csökkenti az áramütés veszélyét.

### SZEMÉLYES BIZTONSÁG

- Legyen éber, ügyeljen rá, mit csinál, és járjon el a józanul a szerszám használata során. Ne használja a szerszámot, ha fáradtnak érzi magát, vagy ha kábítószert, alkoholt vagy gyógyszereket használ alatt áll. A szerszámok üzemeltetése közben egy pillanatra figyelmen kívül hagyása is súlyos személyi sérülést okozhat.

### A GÉP HASZNÁLATA ÉS GONDOZÁSA

- Tartsa szárazon, tisztán, olajtól és zsírtól mentesen a fogantyúkat és a tartófelületeket. A csúszós fogantyúk és markolatok miatt a szerszám kezelése és vezérése váratlan helyzetekben nem biztonságos.

### AZ AKKUMULÁTOROS SZERSZÁM HASZNÁLATA ÉS GONDOZÁSA

- Csak a gyártó által meghatározott töltőt használja. Az olyan töltő, amely egy típusú akkumulátoregységhez alkalmas, tűzveszélyt okozhat, ha más típusú akkumulátoregységhez használja.
- A készülékeket csak a kifejezetten hozzá készült akkumulátoregységekkel használja. Bármely más akkumulátoregység használata sérülés- vagy tűzveszélyt okozhat.
- Amikor nem használja az akkumulátoregységet, tartsa távol más fémtárgyaktól, például gemkapcsoktól, érméktől, kulcsoktól, szögektől, csavaroktól vagy más kis fémtárgyaktól, amelyek kapcsolatba léphetnek vele. Az akkumulátorok kapcsainak rövidzárlata égési sérülést vagy tüzet okozhat.
- Nem megfelelő körülmények között folyadék szívároghat az akkumulátorból; ügyeljen rá, hogy ne kerüljön érintkezésbe vele. Amennyiben véletlenül hozzáérne, mossa le vízzel. Ha ez a folyadék szembe kerül, forduljon orvoshoz. Az akkumulátorból kiszivárgó folyadék irritációt vagy égési sérülést okozhat.
- Ne használjon sérült, módosított akkumulátoregységet vagy szerszámot. A sérült vagy módosított akkumulátorok előre nem látható viselkedést válthatnak ki, amelynek eredménye tűz, robbanás vagy sérülésveszély lehet.
- Ne tegye ki az akkumulátoregységet és a szerszámot tűznek vagy túl magas hőmérsékletnek. Ha tűznek, vagy 130 °C feletti hőmérsékletnek teszi ki, akkor felrobbanhat.
- Tartsa be a töltésre vonatkozó utasításokat, és ne töltsse az akkumulátoregységet vagy a szerszámot az utasításokban meghatározott hőmérséklet-tartományon kívül. A nem megfelelő vagy a

meghatározott hőmérséklet-tartományon kívüli töltés károsíthatja az akkumulátort, és növeli a tűzveszélyt.

## SZERVIZ

- A gépet szakképzett személlyel, eredeti cserealkatrész felhasználásával javíttassa meg. Ezzel biztosítja a szerszám biztonságának fenntartását.
- Soha ne szervizeljen sérült akkumulátoregységeket. Az akkumulátoregységek szervizelését csak a gyártó vagy a felhatalmazott szerviz szolgáltató végezheti.

## A BLUETOOTH-OS HANGSZÓRÓRA VONATKOZÓ SPECIÁLIS BIZTONSÁGI FIGYELMEZTETÉSEK

- A tűz vagy áramütés kockázatának csökkentése érdekében ne tegye ki a készüléket esőnek vagy nedvességnek. Csak száraz helyen használandó.
- Ezt a készüléket kizárólag jól szellőző helyen működtesse.
- Olvassa el ezeket az utasításokat.
- Vegyen figyelembe minden figyelmeztetést.
- Kövesse az összes utasítást.
- Ne használja ezt a készüléket víz közelében.
- Kizárólag száraz ruhával tisztítsa meg.
- Ne zárja el a szellőzőnyílásokat. Telepítse a gyártó utasításainak megfelelően.
- Ne telepítse hőforrások, például radiátorok, fűtőregiszterek, kályhák vagy más hőtermelő készülékek (beleértve az erősítőket is) közelében.
- Kizárólag a gyártó által megadott tartozékokat/ tartozékokat használja.
- Csak a gyártó által megadott, vagy a készülékkel együtt értékesített kocsival, állvánnyal, állványzattal, konzollal vagy asztallal használja. Amikor kocsit használ, legyen óvatos a kocsí/ készülék együttesének mozgásakor, hogy elkerülje a felborulásból adódó sérüléseket.
- Szervizelés érdekében forduljon szakképzett szerviz alkalmazottnak. Karbantartásra akkor van szükség, ha a készülék bármilyen módon megsérült, például a tápkábel vagy a csatlakozódugó megsérült, folyadék ömlött vagy tárgyak estek a készülékbe, a készülék esőnek vagy nedvességnek volt kitéve, nem működik megfelelően, vagy leeseett. A szakképzetlen személyzet által végzett szerviz vagy karbantartás sérülésveszélyt okozhat.
- Akkumulátorral működő, beépített akkumulátorral vagy külön akkumulátoregységgel rendelkező készüléket csak a megadott töltővel szabad tölteni. Az olyan töltő, amely egy típusú akkumulátorhoz

alkalmas, tűzveszélyt okozhat, ha más típusú akkumulátorhoz használja.

- Soha ne szerelje szét a készüléket, és ne próbáljon meg átkötni vezetékeket a készülék elektromos rendszerén.
- Tartsa karban a készüléket. Ellenőrizze az alkatrészek hibás beállítását, törését és minden egyéb olyan állapotát, ami befolyásolhatja a készülék működését. Ha sérült, használat előtt javíttassa meg a készüléket. A készüléket mindig a biztonsági utasításoknak megfelelően használja, mindig vegye figyelembe a munkakörülményeket és az elvégezni kívánt munkafolyamatot. A készülék rendeltetési céltól eltérő használata veszélyes helyzetet eredményezhet.
- Tartsa távol a készüléket más fémtárgyaktól, például gemkapcsoktól, érméktől, kulcsoktól, szögektől, csavaroktól vagy más olyan apró fémtárgyaktól, amelyek kapcsolatot létesíthetnek két érintkező között. Az érintkezők rövidre zárása égési sérülést vagy tüzet okozhat.
- Ne használja a készüléket, ha leesett vagy erős ütés érte. A sérült készülék növeli a tűzveszélyt.
- A használt akkumulátort azonnal ártalmatlanítsa. Gyermekektől tartsa távol. Ne szerelje szét és ne dobja tűzbe.
- Csak a meghatározott akkumulátorokkal és töltőkkel használható.

Őrizze meg ezt az útmutatót. Időnként olvassa át, és használja, amikor másokat betanít a gép használatára. Ha valakinek kölcsön adja ezt a gépet, akkor adja át a használati utasítást is a helytelen használat és lehetséges sérülések elkerülése érdekében.

## JELLEMZŐK

Feszültség	56 V
AC tápegység	100-240 V~ 50/60 Hz
Kimeneti teljesítmény	180 W
Erősítő kimeneti teljesítmény	Mélynyomó: 80 W x 1
	Magasnyomó: 10 W x 2
	Középnymó: 40 W x 2
AUX port	3,5 mm
USB-A kimenet	5 V, 2 A
USB-C bemenet/kimenet	DC5V 3A / DC9V 3A / DC12V 3A / DC15V 3A / DC20V 5A
Bluetooth® hatótávolság	> 55 m
Súly (akkumulátoregység nélkül)	7,7 kg
Javasolt üzemi hőmérséklet	-15°C - 40°C
Javasolt tárolási hőmérséklet	-20°C - 70°C
Külső behatásokkal szembeni védelem	IP54* (por és fröccsenő víz elleni védelem)

\* MEGJEGYZÉS: Az IP54 besorolás az eszközön alapul.

## A CSOMAG TARTALMA (A1 ÁBRA)

### LEÍRÁS

#### ISMERJE MEG A KÜLTÉRI BLUETOOTH-OS HANGSZÓRÓJÁT (A1 ábra)

1. Fogantyú
2. Kezelőpanel
3. Akkumulátor kioldógomb
4. Pulzáló fény
5. Gumi burkolat
6. AUX port
7. USB-A kimeneti port

8. USB-C bemeneti/kimeneti port
9. Töltésjelző
10. Be-/kikapcsoló gomb
11. Bluetooth gomb
12. Összekapcsolás gomb
13. Hangerő le gomb
14. Hangerő fel gomb
15. Lejátszás/szünet gomb
16. Basszus fel gomb

## HASZNÁLAT

### ALKALMAZÁS

A terméket az alább felsorolt célokra használhatja:

- Audio lejátszás vezeték nélküli vagy AUX kábellel csatlakoztatott készülékekről.

### AZ AKKUMULÁTOREGYSÉG BERAKÁSA/ KIVÉTELE

Csak az A2 ábrán felsorolt EGO akkumulátoregységeket és töltőket használja.

További részletekért tekintse meg a megfelelő akkumulátoregységek és töltők kézikönyvét.

### Az első használat előtt teljesen tölts fel.

**MEGJEGYZÉS:** Egy hang hívja fel a figyelmet, ha az akkumulátoregység töltöttsége alacsony.

### Csatlakoztatás

Illesze az akkumulátor bordázatát az akkumulátorban lévő szerelőnyílásokhoz, és nyomja le az akkumulátoregységet, amíg kattánást nem hall (B1 ábra).

### Leválasztás

Oldja ki az akkumulátor kioldógombot, és húzza ki az akkumulátoregységet (B2 ábra).

**▲ FIGYELMEZTETÉS:** Mindig ügyeljen a lába alatti területre, a gyermekekre és a kisállatokra, amikor megnyomja az akkumulátor-kioldó gombot. Súlyos sérülést okozhat, ha az akkumulátoregység leesik. SOHA ne vegye ki az akkumulátoregységet, ha magas helyen van.

B1-1	Szerelőnyílás	B1-2	Perem
B1-3	Akkumulátor kioldógomb		

## AZ AC TÁPADAPTER HASZNÁLATA (NEM TARTOZÉK)

Az AC tápadapter nem tartozik a szállítmány körébe. A PD protokollnak megfelelő és 60 W-nál nagyobb teljesítményű adapter és töltőkábel használható tápegységként.

**MEGJEGYZÉS:** Az AC tápadapter önálló használata esetén a zene hangminősége és hangerője változhat.

Nyissa ki a gumi fedelet, és dugja be az AC tápadapter csatlakozóját a hangszóró hátulján található USB-C bemeneti/kimeneti portba. Csatlakoztassa az adaptert szabványos hálózati aljzathoz (C1 ábra).

Amikor a tápadaptert használja, a behelyezett akkumulátoregység automatikusan töltődik. A töltésjelző szimbólum feletti kis pontfény fehér színben fog villogni. Amikor az akkumulátoregység teljesen fel van töltve, a kis pontfény folyamatos fehér színben fog világítani. Amikor a kis pontfény folyamatos pirosan világít, ez azt jelenti, hogy az akkumulátoregység hibás (C2 ábra).

Az AC tápadaptert használaton kívül ki kell húzni a konnektorból.

**MEGJEGYZÉS:** Az USB-A kimeneti porthoz csatlakoztatott akkumulátoregység és USB-eszközök, például mobiltelefonok, MP3-lejátszók stb., a hálózati tápadapter csatlakoztatásával tölthetők.

**MEGJEGYZÉS:** Mindig zárja le a gumi burkolatot minden használat után, hogy megvédje a portokat a portól, szennyeződésektől és nedvességtől.

C1-1	AC tápadapter	C1-2	USB-C bemeneti/kimeneti port
C1-3	Gumi burkolat	C2-1	Kis pont
C2-2	Töltésjelző		

## A HANGSZÓRÓ BE- ÉS KIKAPCSOLÁSA (D ábra)

Röviden nyomja meg a be-/kikapcsoló gombot, a hangszóró bekapcsol, a be-/kikapcsoló gomb fényének világítani fog, és hang közli a kapcsolatot.

A hangszóró kikapcsolásához röviden nyomja meg a BE/KI gombot. Hang közli a lekapcsolást.

**MEGJEGYZÉS:** a hangszóró automatikusan kikapcsol 20 perc után, ha nincs szól zene, vagy ha nincs kimenet az USB-A vagy USB-C portokról.

D-1	Be-/kikapcsoló gomb
-----	---------------------

## BLUETOOTH® ÜZEMMÓD (E ábra)

Miután bekapcsolja a hangszórót, a Bluetooth® párosítás automatikusan bekapcsol, amit a fehér villogó Bluetooth® gomb jelez.

- Aktiválja a csatlakoztatni kívánt készülék (mobiltelefon vagy hasonló) Bluetooth® funkcióját, és válassza ki az „EGO SK1800E” opciót a Bluetooth® csatlakozás céljaként a készülékén.
- Hang közli a csatlakozást, és a Bluetooth® gomb világítani fog, miután az eszköz sikeresen csatlakozott.

**MEGJEGYZÉS:** Ha korábban párosítva volt a kívánt eszközzel, a hangszóró automatikusan újra csatlakozik ugyanahhoz az eszközhöz a hangszóró bekapcsolásakor.

**MEGJEGYZÉS:** Ha a hangszórónak hirtelen nincs hangja, vagy más média hangját játssza, az azt jelenti, hogy a második csatlakoztatott eszköz átvette a hangszóró irányítását, és megjelent egy néma hirdetés vagy egy dalt játszik le.

A Bluetooth® párosítási mód csak 3 percig lesz aktív, és automatikusan kikapcsol, ha nincs csatlakoztatva/párosítva eszköz.

Röviden nyomja meg a Bluetooth® gombot, a Bluetooth® gomb villogni kezd, jelezve, hogy eszköz csatlakoztatható. Két eszköz csatlakoztatható a hangszóróhoz Bluetooth® segítségével egyidejűleg.

- Miután az első eszköz csatlakozott, nyomja meg a Bluetooth® gombot, amíg az el nem kezd villogni.
- Miután a Bluetooth® gomb villogni kezd, válassza ki az „EGO SK1800E” lehetőséget a második eszközön, és csatlakoztassa a hangszóróhoz. A kapcsolat sikeres létrejötte után hang közli, hogy a második eszköz csatlakozott.

**MEGJEGYZÉS:** Ha lejátszási probléma merül fel, indítsa újra a hangszórót.

**A Bluetooth® eszköz leválasztása:** Nyomja meg és tartsa lenyomva a Bluetooth® gombot 2 másodpercnél tovább, vagy válassza le a hangszórót az eszközén.

E-1	Bluetooth® gomb
-----	-----------------

## TÖBB SK1800E EGYSÉG ÖSSZEKAPCSOLÁSA LINK HASZNÁLATÁVAL (F1, F2 ábra)

Legfeljebb 100 db SK1800E hangszóró csatlakoztatható az összekapcsolás használatával.

Kapcsolja be a hangszórókat, és győződjön meg arról, hogy az egyik hangszóró Bluetooth-on keresztül csatlakozik egy készülékhez.



A készülékhez csatlakoztatott hangszóró a „gazda” egységként fog működni, és képes lesz irányítani a lejátszást (hangerő, lejátszás/szünet stb.).

**MEGJEGYZÉS:** Miután a hangerőt beállította a „gazda” egységen, a többi csatlakoztatott hangszóró azonnal a „gazda” egységgel azonos hangerőszintre áll.

Nyomja meg és tartsa lenyomva az összekapcsolás gombot több mint 2 másodpercig a „gazda” és a másodlagos hangszórón. Amikor a csatlakoztatott hangszóró a „gazda” egység zenéjét játssza, ez azt jelenti, hogy a két hangszóró automatikusan összekapcsolódik egymással.

**MEGJEGYZÉS:** Ha később csatlakozni szeretne a harmadik, negyedik vagy kilencvenkilencedik hangszóróhoz, csak nyomja meg és tartsa lenyomva az ÖSSZEKAPCSOLÁS gombot több mint 2 másodpercig a további hangszóró(k)on.

A két összekapcsolt hangszóró közötti távolság nem haladhatja meg a 40 métert egy nyílt terepen.

Nyomja meg és tartsa lenyomva az összekapcsolás gombot a „host” egységen több mint 2 másodpercig, vagy röviden kapcsolja ki a többi hangszórót az ÖSSZEKAPCSOLÁS rendszer lekapcsolásához.

Több hangszóró összekapcsolása mellett az összekapcsolás gomb a pulzáló fényt is vezérli. Nyomja meg az ÖSSZEKAPCSOLÁS gombot a pulzáló fény be- vagy kikapcsolásához. Amikor nincs zene, a pulzáló fény fokozatosan elhalványul, amíg teljesen ki nem alszik, majd fokozatosan visszatér a maximális fényerőre.

F1-1	Összekapcsolás gomb	F2-1	Pulzáló fény
------	---------------------	------	--------------

## A HANGERŐ BEÁLLÍTÁSA (G ábra)

A hangszóró 16 hangerőszinttel rendelkezik.

- A hangerő csökkentéséhez nyomja meg egyszer a „-” gombot, hogy egy szinttel csökkentse a hangerőt.
- Nyomja meg, és tartsa lenyomva a „-” gombot a hangerő fokozatos csökkentéséhez. Abba hagyhatja a „-” gomb nyomását, amikor a hangerő eléri a kívánt szintet.
- A hangerő növeléséhez nyomja meg egyszer a „+” gombot, hogy egy szinttel növelje a hangerőt.
- Nyomja meg és tartsa lenyomva a „+” gombot a hangerő fokozatos növeléséhez. Abba hagyhatja a „+” gomb nyomását, amikor a hangerő eléri a kívánt szintet.

A hangerőszabályozó nemcsak a hangszóró hangerőszintjét tudja állítani, hanem a készülék hangerőszintjét is.

**MEGJEGYZÉS:** Amikor a hangerőt a maximumra állítja, akkor egy hang jelzi, hogy elérte a maximális hangerőt.

G-1	Hangerő csökkentő és növelő gomb
-----	----------------------------------

## LEJÁTSZÁS/SZÜNET (H ábra)

Nyomja meg a lejátszás/szünet gombot a zene elindításához vagy szüneteltetéséhez.

Nyomja meg kétszer gyorsan a lejátszás/szünet gombot a következő szám/fájl kiválasztásához.

H-1	Lejátszás/szünet gomb
-----	-----------------------

## BASSZUS FEL (I ábra)

- Nyomja meg a basszus fel gombot a basszus erősítéséhez. A basszus fel gomb világitani fog, így jelzi, hogy a basszushang fel van erősítve.
- Nyomja meg újra a basszus fel gombot, hogy a basszushangot visszaállítsa a normál szintre. A basszus fel gomb fénye ki fog kapcsolni.

I-1	Basszus fel gomb
-----	------------------

## AUX ÜZEMMÓD (J ábra)

Nyissa fel gumi fedelet, dugaszolja az AUX kábelt (nem tartozék) az AUX portba, és győződjön meg arról, hogy megfelelően csatlakozik.

Csatlakoztassa az AUX-kábel másik végéhez a külső zeneforrást (MP3-lejátszó vagy hasonló).

Kapcsolja be a hangszórót, és indítsa el a lejátszást.

A lejátszás befejezése után húzza ki az AUX-kábelt.

**MEGJEGYZÉS:** A csatlakoztatott eszközök akkumulátorai nem tölthetők az AUX csatlakozáson keresztül.

**MEGJEGYZÉS:** Amikor a hangszórót kikapcsolja, a csatlakoztatott eszköz nem kapcsolódik ki automatikusan.

J-1	AUX port	J-2	USB-A kimeneti port
J-3	Gumi burkolat	J-4	USB-C bemeneti/kimeneti port

## USB TÁPPORTOK (J ábra)

Ha akkumulátoregység van behelyezve, vagy a hangszóró csatlakoztatva van AC tápadapterhez, és a hangszóró be van kapcsolva, az USB-A kimeneti port és az USB-C bemeneti/kimeneti port biztosítja az alacsony fogyasztású eszközök, például mobiltelefonok, MP3-lejátszók stb. töltési energiáját. Töltés után azonnal húzza ki az USB-eszközt.

**MEGJEGYZÉS:** A USB-A kimeneti port nem használható audio lejátszására. A hang lejátszása csak Bluetooth-on vagy AUX-csatlakozón keresztül lehetséges.

**MEGJEGYZÉS:** Mindig zárja le a gumi burkolatot minden használat után, hogy megvédje a portokat a portól, szennyeződésektől és nedvességtől.

## KARBANTARTÁS

**▲ FIGYELMEZTETÉS:** Javításkor használjon azonos pótalkatrészeket. Bármilyen más alkatrész használata veszélyt okozhat, vagy megrongálhatja a terméket. A biztonságosság és megbízhatóság biztosítása érdekében minden javítást szakképzett szerviztechnikusnak kell elvégeznie.

**▲ FIGYELMEZTETÉS:** A súlyos személyi sérülések elkerülése érdekében mindig vegye ki az akkumulátort a termékből tisztítás és karbantartás alatt.

### ÁLTALÁNOS KARBANTARTÁS

A műanyag alkatrészek tisztításához ne használjon oldószereket. A legtöbb műanyag különböző vegyi oldószerek hatására károsodik, ezek megrongálhatják őket. Használjon tiszta ruhát a szennyeződés, por, olaj, zsír, stb. eltávolításához.

**▲ FIGYELMEZTETÉS:** Soha ne engedje, hogy fékolaj, benzin, petróleum alapú termékek, penetráló olaj stb. a műanyag alkatrészekre kerüljön. A vegyszerek megrongálhatják, gyengíthetik vagy megtámadhatják a műanyagot, ezáltal súlyos személyi sérülést okozhatnak.

**▲ FIGYELMEZTETÉS:** A tűz, személyi sérülés és rövidzárlat miatti termékkárosodás kockázatának csökkentése érdekében soha ne merítse a gépet, az akkumulátoregységet vagy a töltőt folyadékba, és ne engedje, hogy folyadék folyjon a belsejükbe. A maró vagy vezetőképes folyadékok, mint például a tengervíz, bizonyos ipari vegyi anyagok, fehérítőszer vagy fehérítőt tartalmazó termékek stb. rövidzárlatot okozhatnak.

## TÁROLÁS

1. Vegye ki az akkumulátoregységet a hangszóróból.
2. Tisztítson le minden idegen anyagot a hangszóróról.
3. A hangszórót száraz, jól szellőző helyen tárolja, ahol gyermekek nem férnek hozzá. Ne tárolja a hangszórót műtrágyán, benzinen vagy más vegyszereken, illetve azok közelében.

## KÖRNYEZETVÉDELLEM



Ne dobja az elektromos felszerelést, az elhasznált akkumulátort és a töltőt a háztartási hulladékok közé! Vigye hivatalos újrahasznosító telephelyre, és tegye hozzáférhetővé a szelektív gyűjtéshez. Az elektromos eszközöket megfelelő környezetbarát újrahasznosító üzembe kell vinni.

## HIBAELHÁRÍTÁS

PROBLÉMA	OK	MEGOLDÁS
A hangszóró nem működik.	<ul style="list-style-type: none"> <li>■ Az akkumulátoregység nincs csatlakoztatva a hangszóróhoz.</li> <li>■ Nincs elektromos érintkezés a hangszóró és az akkumulátor között.</li> <li>■ Az akkumulátoregység lemerült.</li> <li>■ Az akkumulátoregység túl forró.</li> </ul>	<ul style="list-style-type: none"> <li>■ Csatlakoztassa az akkumulátoregységet a hangszóróhoz.</li> <li>■ Vegye ki az akkumulátoregységet, ellenőrizze a csatlakozásokat, és helyezze vissza az akkumulátoregységet.</li> <li>■ Töltse fel az akkumulátoregységet.</li> <li>■ Hűtse le az akkumulátoregységet, amíg a hőmérséklete 67 °C alá nem csökken.</li> </ul>
A hangszóró nem tud megfelelően párosítani a Bluetooth eszközzel.	<ul style="list-style-type: none"> <li>■ A Bluetooth párosítási hatótávolságán kívül van.</li> </ul>	<ul style="list-style-type: none"> <li>■ Közelítse eszközt a hangszóróhoz.</li> </ul>

## GARANCIA

### EGO GARANCIÁLIS FELTÉTELEK

Kérjük, látogasson el az [egopowerplus.eu](http://egopowerplus.eu) oldalra, ahol megtalálja a részletes EGO garanciális feltételeket.

HU

## CITIȚI TOATE INSTRUCȚIUNILE!



CITIȚI MANUALUL DE INSTRUCȚIUNI

**⚠️ AVERTISMENT:** Pentru siguranța și fiabilitatea produsului, toate reparațiile trebuie efectuate de către un tehnician de service autorizat.

## SIMBOLURI PRIVIND SIGURANȚA

Scopul simbolurilor privind siguranța este să vă atragă atenția asupra pericolelor posibile. Simbolurile privind siguranța și explicațiile furnizate cu acestea merită atenția și înțelegerea dumneavoastră. Avertizările simbolurilor nu elimină, prin ele însele, niciun pericol. Instrucțiunile și avertizările pe care le oferă acestea nu pot înlocui măsurile adecvate de prevenire a accidentelor.

**⚠️ AVERTISMENT:** Asigurați-vă că ați citit și înțelegiți toate instrucțiunile privind siguranța din acest Manual de utilizare, inclusiv toate simbolurile de alertă privind siguranța precum „PERICOL”, „AVERTISMENT” și „ATENȚIE” înainte de a utiliza această mașină. Nerespectarea tuturor instrucțiunilor enumerate mai jos poate duce la electrocutare, incendiu și/sau vătămări corporale grave.

## INSTRUCȚIUNI PRIVIND SIGURANȚA

Această pagină descrie simbolurile de siguranță ce pot apărea pe acest produs. Citiți, înțelegiți și respectați toate instrucțiunile de pe mașină înainte de asamblare și utilizare.



Alertă privind siguranța



Pentru a reduce riscul de accidentări, utilizatorul trebuie să citească manualul de instrucțiuni.



Bluetooth®



Deșeurile produselor electrice nu trebuie să fie eliminate împreună cu deșeurile menajere. Duceți la un centru autorizat de reciclare.

RO



Acest produs este în conformitate cu directivele europene aplicabile.



Conformitate evaluată pentru Regatul Unit



Curent continuu

W Wați

Hz Hertz

m Metru

V Tensiune

kg Kilograme

°C Celsius

mm Milimetru

## AVERTIZĂRI GENERALE DE SIGURANȚĂ PENTRU MAȘINI

**⚠️ AVERTISMENT: CITIȚI TOATE AVERTISMENTELE DE SIGURANȚĂ, INSTRUCȚIUNILE, ILUSTRĂȚIILE ȘI SPECIFICAȚIILE FURNIZATE ÎMPREUNĂ CU ACEST APARAT.** Nerespectarea tuturor instrucțiunilor enumerate mai jos se poate solda cu șoc electric, incendiu și/sau vătămare corporală gravă.

### PĂSTRAȚI TOATE AVERTISMENTE ȘI INSTRUCȚIUNILE PENTRU CONSULTARE ULTERIOARĂ.

#### SIGURANȚA ZONEI DE LUCRU

- **Păstrați zona de lucru curată și bine iluminată.** Zonele aglomerate sau întunecate invită accidente.
- **Nu utilizați utilajele în atmosfere explozive, cum ar fi în prezența lichidelor inflamabile, a benzinei sau a prafului.** Mașinile creează scântei, care pot aprinde praful sau gazele.
- **Țineți copiii și persoanele prezente la distanță atunci când utilizați o mașină.** Distragerea atenției vă poate face să pierdeți controlul.

#### SIGURANȚA ELECTRICĂ

- **Ștecherile mașinilor trebuie să corespundă cu priza electrică.** Nu modificați niciodată ștecherul în vreun fel. Nu utilizați ștechere adaptoare de priză cu mașinile echipate cu împământare. Ștecherile nemodificate și prizele adecvate vor reduce riscul de electrocutare.
- **Evitați contactul corpului cu suprafețele legate la împământare, cum sunt țevile, caloriferele, mașinile de gătit și frigidererele.** Există un risc crescut de șoc electric dacă corpul dumneavoastră este legat la pământ sau împământat.
- **Nu folosiți în mod abuziv cablul de alimentare.** Nu utilizați niciodată cablul de alimentare pentru transportul, tragerea sau scoaterea din priză a mașinii. Țineți cablul departe de căldură, ulei, margini ascuțite sau piese în mișcare. Cablurile electrice deteriorate sau încălțite cresc riscul de electrocutare.
- **Atunci când utilizați un difuzor în exterior, utilizați un prelungitor adecvat pentru utilizarea în exterior.** Utilizarea unui cablu adecvat pentru utilizare în exterior reduce riscul de șoc electric.
- **În cazul în care este inevitabil să folosiți o mașină într-o loc umedă, utilizați o sursă de alimentare protejată cu întrerupător de circuit cu împământare.**

Utilizarea unui întrerupător GFCI reduce riscul de electrocutare.

#### SIGURANȚA PERSONALĂ

- **Păstrați-vă vigilența, urmăriți ceea ce faceți și apălați la bunul simț când utilizați o mașină.** Nu utilizați o mașină când sunteți obosit(ă), sau sub influența medicamentelor, a alcoolului ori a medicației. Un moment de neatenție în timp ce utilizați mașini se poate solda cu vătămări grave.

#### UTILIZAREA ȘI ÎNGRIJIREA MAȘINI

- **Mențineți mânerul și suprafețele de apucare uscate, curate și fără ulei și vaselină.** Mânerul și suprafețele de apucare alunecoase nu permit manevrarea în siguranță și controlul asupra mașinii în situații neașteptate.

#### UTILIZAREA ȘI ÎNGRIJIREA MAȘINILOR CU BATERIE

- **Reîncărcați numai cu încărcătorul specificat de producător.** Un încărcător adecvat pentru un tip de set de acumulatori poate prezenta risc de incendiu dacă este utilizat cu alt set de acumulatori.
- **Utilizați mașinile numai cu seturile de acumulatori special menționate.** Utilizarea oricărui alt set de acumulatori prezintă risc de accidente și incendiu.
- **Atunci când acumulatorul nu este utilizat, țineți-l departe de alte obiecte metalice, cum ar fi agrafe de birou, monede, chei, cuie, șuruburi sau alte obiecte metalice mici care pot face o conexiune de la un terminal la altul.** Scurtcircuitarea bornelor bateriei poate produce arsuri sau un incendiu.
- **În condiții abuzive se poate scurge lichid din baterie; evitați contactul.** Dacă are loc contactul accidental, clătiți cu apă. Dacă lichidul intră în contact cu ochii, efectuați suplimentar un consult medical. Lichidul scurs din baterie poate produce iritații sau arsuri.
- **Nu utilizați un set de acumulatori sau o mașină deteriorată ori modificată.** Acumulatorii deteriorați sau modificați pot prezenta comportament imprevizibil, care poate duce la incendiu, explozie sau risc de vătămare.
- **Nu expuneți setul de acumulatori la foc sau mașina la temperaturi excesive.** Expunerea la foc sau la temperaturi de peste 130°C poate provoca explozie.
- **Respectați instrucțiunile de încărcare și nu încărcați setul de acumulatori sau mașina în afara intervalului de temperatură specificat în instrucțiuni.** Încărcarea necorespunzătoare sau la temperaturi în afara domeniului specificat poate duce la deteriorarea bateriei și la creșterea riscului de incendiu.

RO

## SERVICE

- **Duceți mașina electrică la depanat pentru a fi reparată de o persoană calificată utilizând numai piese de schimb identice.** Acest lucru va asigura menținerea siguranței mașinii.
- **Nu efectuați niciodată operații de service asupra seturilor de acumulatori deteriorați.** Depanarea acumulatorilor trebuie să fie efectuată numai de producător sau de prestatorii autorizați de servicii.

## AVERTISMENTE DE SIGURANȚĂ PENTRU DIFUZORUL BLUETOOTH PENTRU EXTERIOR

- **Pentru a reduce riscul de incendiu sau de electrocutare, nu expuneți acest aparat la ploaie sau umiditate. Utilizați numai în locuri uscate.**
- **Utilizați acest aparat numai într-o zonă bine ventilată.**
- **Citiți aceste instrucțiuni.**
- **Țineți cont de toate avertismentele.**
- **Urmați toate instrucțiunile.**
- **Nu utilizați acest aparat în apropierea apei.**
- **Curățați numai cu o cârpă uscată.**
- **Nu blocați nicio deschidere de ventilație.** Se instalează în conformitate cu instrucțiunile producătorului.
- **Nu îl instalați în apropierea unor surse de căldură, cum ar fi radiatoare, orificii de căldură, sobe sau alte aparate (inclusiv amplificatoare) care produc căldură.**
- **Folosiți numai atașamentele/accesoriile specificate de producător.**
- **Atunci când se utilizează un cărucior, fiți prudent atunci când deplasați combinația cărucior/aparat pentru a evita rănirea la răsturnare. Atunci când se utilizează un cărucior, fiți prudent atunci când deplasați combinația cărucior/aparat pentru a evita rănirea prin răsturnare.**
- **Pentru toate serviciile de întreținere, consultați personal de service calificat.** Service-ul este necesar atunci când aparatul a fost deteriorat în orice mod, cum ar fi deteriorarea cablului de alimentare sau a ștecherului, dacă a fost vărsat lichid sau au căzut obiecte în aparat, dacă aparatul a fost expus la ploaie sau umiditate, dacă nu funcționează normal sau dacă a fost scâpat. Operațiile de service sau de întreținere efectuate de către un personal necalificat pot duce la vătămări.
- **Un aparat cu baterii cu baterii integrate sau un pachet de baterii separat trebuie reîncărcat numai**

cu încărcătorul specificat pentru baterie. Un încărcător care poate fi potrivit pentru un tip de baterie poate crea un risc de incendiu atunci când este utilizat cu o altă baterie.

- **Nu dezasamblați niciodată aparatul și nu încercați să refaceți cablajul sistemului electric al aparatului.**
- **Întreținerea aparatului. Verificați dacă nu sunt probleme de aliniere, dacă piesele sunt rupte sau dacă există orice alte condiții care pot afecta funcționarea aparatului. Dacă este deteriorat, trebuie reparat înainte de a fi utilizat. Utilizați aparatul în conformitate cu aceste instrucțiuni, ținând cont de condițiile de lucru și de activitatea care urmează să fie efectuată.** Utilizarea aparatului pentru operații diferite de cele intenționate s-ar putea solda cu o situație periculoasă.
- **Țineți aparatul departe de alte obiecte metalice, cum ar fi agrafe de hârtie, monede, chei, cuie, șuruburi sau alte obiecte metalice mici care pot face o conexiune de la un terminal la altul.** Scurtcircuitarea terminalelor poate provoca arsuri sau un incendiu.
- **Nu utilizați aparatul dacă a fost scâpat sau a primit o lovitură puternică.** Un aparat deteriorat va crește riscul de incendiu.
- **Eliminați cu promptitudine o baterie uzată.** A nu se lăsa la îndemâna copiilor. Nu dezasamblați și nu aruncați în foc.
- **Utilizați numai cu acumulatori și încărcătoarele specificate.**

**Păstrați aceste instrucțiuni.** Consultați-le frecvent și utilizați-le pentru a instrui alte persoane care ar putea utiliza această mașină. Dacă împrumutați cuiva această mașină, împrumutați-i și aceste instrucțiuni pentru a preveni utilizarea inadecvată a produsului și posibile răni.

## SPECIFICAȚII

Tensiune	56 V
Tensiune pentru adaptorul de alimentare AC	100-240 V~, 50/60 Hz
Putere de ieșire	180 W
Puterea de ieșire a amplificatorului	Woofer (difuzor de bas): 80W x1
	Tweeter (difuzor de înalte): 10W x 2
	Mid (difuzor de medii): 40W x 2
Port AUX	3.5 mm
Ieșirea USB-A	5 V, 2 A
Intrarea/ieșirea USB-C	DC5V 3A / DC9V 3A / DC12V 3A / DC15V 3A / DC20V 5A
Raza de acțiune Bluetooth®	> 55 m
Greutate (fără set de acumulatori)	7,7 kg
Temperatură de funcționare recomandată	-15°C - 40°C
Temperatură de depozitare recomandată	-20°C - 70°C
Evaluare de protecție împotriva pătrunderii	IP54* (protejat împotriva prafului și a stropilor de apă)

\* NOTĂ: Evaluarea IP54 se bazează pe aparat.

## LISTA COMPONENTELOR (FIG. A1)

### DESCRIEREA

#### CUNOAȘTEȚI-VĂ DIFUZORUL BLUETOOTH PENTRU EXTERIOR (Fig. A1)

- Mâner
- Panou de control al vitezei
- Buton de eliberare a acumulatorului
- Lumina de respirație
- Capac de cauciuc
- Port AUX

- Port de ieșire USB-A
- Port de intrare/ieșire USB-C
- Indicator de încărcare
- Buton pornit/oprit (ON/OFF)
- Butonul Bluetooth
- Buton de conectare
- Butonul de reducere a volumului
- Butonul de creștere a volumului
- Buton Redare/Pauză
- Buton de creștere a basului (Bass Up)

## FUNCȚIONARE

### APLICARE

Puteți utiliza acest produs în scopurile menționate mai jos:

- Redare audio de la dispozitive conectate fără fir sau prin intermediul unui cablu AUX.

### ATAȘAREA/DETAȘAREA SETULUI DE ACUMULATORI

Utilizați numai seturile de acumulatori EGO și încărcătoarele prezentate în Fig. A2.

Pentru mai multe detalii, consultați manualele corespunzătoare ale bateriilor și încărcătoarelor.

### Încărcați acumulatorul complet înainte de prima utilizare.

**NOTĂ:** Un sunet va reaminti când nivelul de încărcare al acumulatorului este scăzut.

### Pentru atașare

Aliniați nervurile de pe acumulator cu fantele de montare și apăsați în jos setul de acumulatori până la auzul unui „clic” (Fig. B1).

### Pentru detașare

Apăsați butonul de eliberare a bateriei și scoateți pachetul de baterii (Fig. B2).

**⚠️ AVERTISMENT:** Întotdeauna acordați atenție amplasamentului picioarelor dumneavoastră, a copiilor sau animalelor de companie când apăsați butonul de detașare al acumulatorului. În cazul căderii bateriei, pot rezulta răni grave. NICIODATĂ nu scoateți bateria atunci când vă aflați într-o locație înaltă.

B1-1	Fantă de montare	B1-2	Proeminență
------	------------------	------	-------------

RO

B1-3	Buton de eliberare a acumulatorului		
------	-------------------------------------	--	--

## UTILIZÂND ADAPTORUL DE ALIMENTARE AC (NU ESTE INCLUS)

Adaptorul de alimentare AC nu este inclus la livrare. Adaptorul și cablul de încărcare care respectă protocolul PD și mai mare de 60 W pot fi utilizate ca adaptor de alimentare.

**NOTĂ:** Atunci când utilizați numai adaptorul de alimentare CA, calitatea sunetului și volumul muzicii pot fi afectate.

Deschideți capacul de cauciuc și introduceți mufa adaptorului de curent alternativ în portul de intrare/ieșire USB-C de pe partea din spate a difuzorului. Conectați adaptorul la o priză standard (Fig. C1).

Ori de câte ori adaptorul de alimentare este conectat, pachetul de baterii introdus este încărcat automat. Punctul luminos mic de deasupra simbolului indicatorului de încărcare va clipi în alb. Când acumulatorul este complet încărcat, punctul luminos mic va străluci în alb. În cazul în care punctul luminos mic luminează roșu aprins, înseamnă că bateria este defectă (Fig. C2).

Adaptorul de curent alternativ (CA) trebuie deconectat de la priză atunci când nu este utilizat.

**NOTĂ:** Acumulatorul și dispozitivele USB precum telefoanele mobile, playerele MP3 etc. conectate la portul de ieșire USB-A pot fi încărcate atunci când este conectat adaptorul de curent alternativ.

**OBSERVAȚIE:** Închideți întotdeauna capacul de cauciuc după fiecare utilizare pentru a proteja porturile de praf, murdărie și umiditate.

C1-1	Adaptor de alimentare AC	C1-2	Port de intrare/ieșire USB-C
C1-3	Capac de cauciuc	C2-1	Punct mic
C2-2	Indicator de încărcare		

## PORNIREA ȘI OPRIREA DIFUZORULUI (Fig. D)

Apăsăți scurt butonul ON/OFF, difuzorul va porni, iar lumina butonului ON/OFF va rămâne aprinsă și un sunet va anunța conexiunea.

Pentru a opri difuzorul, apăsați scurt butonul ON/OFF. Un sunet va anunța deconectarea.

**NOTĂ:** difuzorul se va opri automat după 20 de minute, dacă nu este redată muzică sau nu există ieșire de la porturile USB-A sau USB-C.

D-1	Buton pornit/oprit (ON/OFF)
-----	-----------------------------

## MODUL DE FUNCȚIONARE BLUETOOTH® (FIG. E)

După ce porniți difuzorul, împerecherea Bluetooth® se va activa automat, indicată de butonul Bluetooth® alb intermitent.

- Activați funcția Bluetooth® al dispozitivului care urmează a fi conectat (telefon mobil sau alt dispozitiv similar) și selectați „EGO SK1800E” ca ținta conexiunii Bluetooth®.
- Un sunet va anunța conectarea, iar butonul Bluetooth® va rămâne aprins după ce un dispozitiv este conectat cu succes.

**NOTĂ:** Dacă boxa a mai fost deja cuplată la dispozitivul dorit, boxa se va reconecta automat la același dispozitiv când este pornită.

**NOTĂ:** Dacă difuzorul nu are brusc niciun sunet sau redă alt sunet media, înseamnă că al doilea dispozitiv conectat a preluat controlul difuzorului și a afișat o reclamă silențioasă sau a redat o melodie.

Modul de împerechere Bluetooth® va fi activ doar timp de 3 minute și se va opri automat dacă niciun dispozitiv nu este conectat/împerecheat.

Apăsăți scurt butonul Bluetooth®, butonul Bluetooth® începe să clipească pentru a indica faptul că un dispozitiv poate fi conectat.

Două dispozitive pot fi conectate în același timp la difuzor prin Bluetooth®.

- După ce primul dispozitiv este conectat, apăsați butonul Bluetooth® până când acesta începe să clipească.
- Odată ce butonul Bluetooth® începe să clipească, selectați „EGO SK1800E” pe al doilea dispozitiv și conectați-l la difuzor. După ce conexiunea este reușită, se va auzi un anunț vocal că al doilea dispozitiv a fost conectat.

**NOTĂ:** Dacă există o problemă de redare, reporniți difuzorul.

**Pentru a deconecta dispozitivul Bluetooth®:** Țineți apăsat butonul Bluetooth® pentru mai mult de 2 secunde sau deconectați difuzorul de pe dispozitiv.

E-1	Butonul Bluetooth®
-----	--------------------

## PENTRU CONECTAREA UNITĂȚILOR MULTIPLE SK1800E UTILIZÂND LINK (Fig. F1, F2)

Până la 100 de boxe SK1800E pot fi conectate prin intermediul conexiunii.



Porniți boxe și asigurați-vă că una dintre boxe este conectată la un dispozitiv prin Bluetooth.

Difuzorul conectat la dispozitiv va acționa ca unitate „gazdă” și poate controla redarea (volum, redare/pauză etc.).

**NOTĂ:** Odată ce volumul este ajustat pe unitatea „gazdă”, celelalte difuzoare conectate se ajustează imediat la același nivel de volum ca și unitatea „gazdă”.

Țineți apăsat butonul de conectare mai mult de 2 secunde pe „gazdă” și pe difuzorul secundar. Atunci când difuzorul conectat redă muzica unității „gazdă”, înseamnă că cele două difuzoare sunt legate automat între ele.

**NOTĂ:** Dacă doriți să vă conectați ulterior la al treilea, al patrulea sau al nouăzeci și nouălea difuzor, trebuie doar să țineți apăsat butonul LINK pentru mai mult de 2 secunde pe difuzorul (difuzoarele) suplimentar(e).

Distanța dintre cele două difuzoare conectate nu poate depăși 40 de metri în câmp deschis.

Apăsați și mențineți apăsat butonul de conectare pentru mai mult de 2 secunde pe unitatea „gazdă” sau opriți pentru scurt timp celelalte difuzoare pentru a deconecta sistemul LINK.

În plus față de conectarea mai multor difuzoare, butonul de legătură poate controla și lumina de respirație. Apăsați butonul LINK pentru a aprinde sau a stinge lumina de respirație. Atunci când nu se redă muzică, lumina de respirație va scădea treptat până la stingerea completă, apoi va reveni treptat la luminozitatea maximă.

F1-1	Buton de conectare	F2-1	Lumina de respirație
------	--------------------	------	----------------------

### Setarea volumului (Fig. G)

Difuzorul are 16 niveluri de volum.

- Pentru a reduce volumul, apăsați o dată butonul „-” pentru a reduce volumul cu un nivel.
- Apăsați și mențineți apăsat butonul „-” pentru a reduce treptat volumul. Puteți opri apăsarea butonului „-” atunci când volumul atinge volumul dorit.
- Pentru a crește volumul, apăsați o dată butonul „+” pentru a crește volumul cu un nivel.
- Apăsați și mențineți apăsat butonul „+” pentru a crește treptat volumul. Puteți opri apăsarea butonului „+” atunci când volumul atinge volumul dorit.

Reglarea volumului nu poate regla doar volumul difuzorului, ci poate regla și volumul de pe dispozitiv.

**NOTĂ:** Atunci când volumul este reglat la maxim, un sunet va anunța atingerea volumului maxim.

G-1	Butonul de reducere și creștere a volumului
-----	---

### REDARE/PAUZĂ (Fig. H)

Apăsați butonul de redare/pauză pentru a porni sau întrerupe muzica.

Apăsați butonul de redare/pauză de două ori rapid pentru a trece la următoarea piesă/fișier.

H-1	Buton Redare/Pauză
-----	--------------------

### BASS UP (Fig. I)

- Apăsați butonul bass up pentru a amplifica basul. Butonul bass up va rămâne aprins pentru a indica faptul că basul este amplificat.
- Apăsați din nou butonul bass up pentru a readuce basul la nivelul normal. Lumina butonului bass up se va stinge.

I-1	Buton de creștere a basului (Bass Up)
-----	---------------------------------------

### MOD DE FUNCȚIONARE AUX (Fig. J)

Deschideți capacul de cauciuc, introduceți cablul AUX (nu este inclus) în portul AUX și asigurați-vă că acesta este conectat corect.

Conectați sursa externă de muzică (MP3 player sau similar) la celălalt capăt al cablului AUX.

Porniți sursa externă de muzică și porniți redarea. După terminarea redării, deconectați cablul AUX.

**NOTĂ:** Bateriile dispozitivelor conectate nu pot fi încărcate prin conexiunea AUX.

**NOTĂ:** Atunci când difuzorul este oprit, dispozitivul conectat nu este oprit automat.

J-1	Port AUX	J-2	Port de ieșire USB-A
J-3	Capac de cauciuc	J-4	Port de intrare/ieșire USB-C

### PORTURI DE ALIMENTARE USB (Fig. J)

Atunci când este instalat un acumulator sau difuzorul este conectat la un adaptor de curent alternativ și difuzorul este pornit, portul de ieșire USB-A și portul de intrare/ieșire USB-C vor furniza energie de încărcare pentru dispozitive

cu consum redus de energie, cum ar fi telefoane mobile, playere MP3 etc. Deconectați imediat dispozitivul USB după încărcare.

**NOTĂ:** Portul de ieșire USB-A nu poate fi utilizat pentru redarea audio. Redarea audio este posibilă numai prin intermediul conexiunii Bluetooth sau AUX.

**OBSERVAȚIE:** Închideți întotdeauna capacul de cauciuc după fiecare utilizare pentru a proteja porturile de praf, murdărie și umiditate.

## ÎNȚREȚINEREA

**⚠ AVERTISMENT:** La depanare, utilizați numai piese de schimb identice. Utilizarea oricărui altor piese poate crea un pericol sau poate produce o deteriorare. Pentru siguranța și fiabilitatea produsului, toate reparațiile trebuie efectuate de către un tehnician de service autorizat.

**⚠ AVERTISMENT:** Pentru evitarea vătămarilor personale grave, îndepărtați întotdeauna bateria din sculă când curățați sau efectuați orice operație de întreținere.

## ÎNȚREȚINERE GENERALĂ

Evitați utilizarea solvenților când curățați piese din plastic. Majoritatea pieselor din plastic sunt susceptibile să se deterioreze de la diverse tipuri de solvenți comerciali și se pot defecta prin utilizarea acestora. Utilizați o cârpă curată pentru a îndepărta murdăria, praful, uleiul, vaselina etc.

**⚠ AVERTISMENT:** Nu permiteți niciodată lichidelor de frână, benzinei, produselor petroliere, uleiurilor penetrante etc. să vină în contact cu piese din plastic. Substanțele chimice pot deteriora, pot fragiliza sau pot distruge plasticul, ceea ce se poate solda cu vătămări grave.

**⚠ AVERTISMENT:** Pentru a reduce riscul de incendiu, de vătămare corporală și de deteriorare a produsului din cauza unui scurtcircuit, nu scufundați niciodată aparatul, bateria sau încărcătorul în lichid și nu permiteți ca un lichid să curgă în interiorul acestora. Fluidele corozive sau conductoare, cum ar fi apa de mare, anumite substanțe chimice industriale și înălbitor sau produse care conțin înălbitor etc., pot provoca un scurtcircuit.

## DEPOZITARE

1. Scoateți acumulatorul din difuzor.
2. Curățați toate materialele străine din difuzor.
3. Depozitați difuzorul într-o zonă uscată, bine ventilată, la îndemâna copiilor. Nu depozitați difuzorul pe sau lângă îngrășăminte, benzină sau alte substanțe chimice.

## PROTEJAREA MEDIULUI ÎNCONJURĂTOR



Nu eliminați echipamentul electric, bateria epuizată și încărcătorul de baterii împreună cu deșeurile menajere! Predați acest produs unui punct de reciclare autorizat sau puneți-l la dispoziția colectării separate. Sculele electrice trebuie returnate unui centru de reciclare ecologic.

RO

## DEPANAREA

PROBLEMĂ	CAUZĂ	SOLUȚIE
Difuzorul nu funcționează.	<ul style="list-style-type: none"> <li>■ Acumulatorul nu este atașat la difuzor</li> <li>■ Nu există contact electric între difuzor și acumulator.</li> <li>■ Capacitatea de încărcare a acumulatorului este epuizată.</li> <li>■ Setul de acumulatori este prea fierbinte.</li> </ul>	<ul style="list-style-type: none"> <li>■ Atașați acumulatorul la difuzor.</li> <li>■ Îndepărtați acumulatorul, verificați contactele și reinstalați acumulatorul.</li> <li>■ Încărcați setul de acumulatori.</li> <li>■ Lăsați acumulatorul să se răcească până când temperatura acestuia scade sub 152°F (67°C).</li> </ul>
Difuzorul nu se poate asocia corect cu un dispozitiv Bluetooth.	<ul style="list-style-type: none"> <li>■ În afara razei de asociere Bluetooth.</li> </ul>	<ul style="list-style-type: none"> <li>■ Mutați dispozitivul mai aproape de difuzor.</li> </ul>

## GARANȚIE

### POLITICA PRIVIND GARANȚIA EGO

Vă rugăm să consultați site-ul [egopowerplus.eu](http://egopowerplus.eu) pentru termenii și condițiile complete ale politicii privind garanția EGO.

RO

**PREBERITE VSA NAVODILA!****PREBERITE UPORABNIŠKI PRIROČNIK**

**⚠ OPOZORILO:** Za zagotovitev varnosti in zanesljivosti mora vsa popravila izvesti usposobljen servisni tehnik.

**VARNOSTNI SIMBOLI**

Namen varnostnih simbolov je, da vas opozorijo na morebitne nevarnosti. Bodite pozorni na varnostne simbole in njihova pojasnila ter jih poskušajte razumeti. Opozorilni simboli sami ne odpravljajo nobene nevarnosti. Navodila in opozorila ne nadomeščajo ustreznih ukrepov za preprečevanje nesreč.

**⚠ OPOZORILO:** Pred uporabo tega stroja preberite in poskrbite, da boste razumeli vsa varnostna navodila v tem priročniku, vključno z vsemi varnostnimi opozorilnimi simboli, kot so »NEVARNOST«, »OPOZORILO« in »POZOR«. Zaradi neupoštevanja spodaj navedenih navodil lahko pride do električnega udara, požara in/ali resnih telesnih poškodb.

**VARNOSTNA NAVODILA**

Na tej strani so prikazani in opisani varnostni simboli, ki se lahko pojavijo na tem izdelku. Preberite, osvojite in sledite navodilom na stroju, preden ga boste poskušali sestaviti in upravljati.



Varnostno opozorilo



Bluetooth®



Ta izdelek je skladen z veljavnimi direktivami ES.



Enosmerni tok

Hz Hertz

V Napetost

°C Celzij



Za zmanjšanje nevarnosti telesnih poškodb je pomembno, da uporabnik prebere priročnik z navodili za uporabo.



Odpadnih električnih izdelkov ne odlagajte med gospodinjne odpadke. Odnosite v pooblaščen obrat za recikliranje.



Ta izdelek je v skladu z veljavno zakonodajo Združenega kraljestva

**SL**

W Watt

m Meter

kg Kilogram

mm Milimeter

## SPLOŠNA VARNOSTNA NAVODILA ZA NAPRAVE

**⚠ OPOZORILO: PREBERITE VSA VARNOSTNA OPOZORILA, NAVODILA, SLIKE IN TEHNIČNE PODATKE, KI SO PRILOŽENI TEJ NAPRAVI.** Zaradi neupoštevanja spodaj navedenih navodil lahko pride do električnega udara, požara in/ali hudih telesnih poškodb.

### VSA OPOZORILA IN NAVODILA SHRANITE ZA POZNEJŠO UPORABO.

#### VARNOST DELOVNEGA OBMOČJA

- Delovno območje naj bo čisto in dobro osvetljeno. Na neurejenih ali temnih območjih se hitro zgodijo nesreče.
- Ne uporabljajte strojev v eksplozivnih okoljih, kot na primer v prisotnosti vnetljivih tekočin, bencina ali prahu. Naprave ustvarjajo iskre, ki lahko povzročijo vžig prahu ali hlapov.
- Med uporabo naprave poskrbite, da otroci in mimoidoči ne bodo v bližini. Zaradi motenj lahko izgubite nadzor.

#### ELEKTRIČNA VARNOST

- Vtiči naprave se morajo prilegati vtičnicam. Vtiča nikoli ne smete spreminjati na kakršen koli način. Z ozemljenimi napravami ne uporabljajte nikakršnih napajalnih vtičev. Nespremenjeni vtiči in pripadajoče vtičnice bodo zmanjšali tveganje električnega udara.
- Izogibajte se telesnemu stiku z ozemljenimi površinami, kot so cevi, radiatorji, štedilniki in hladilniki. Če je vaše telo ozemljeno, obstaja povečano tveganje električnega udara.
- Ne poškodujte električnega kabla. Kabla ne uporabljajte za nošenje, vlečenje ali odklop naprave. Kabel hranite stran od vročine, olja, ostrih robov ali premikajočih se delov. Poškodovani ali zapleteni kablji zvišujejo tveganje električnega udara.
- Ko zvočnik uporabljate na prostem, uporabite podaljšek, primeren za zunanjo uporabo. Uporaba kabla, primerne za zunanjo uporabo, znižuje tveganje električnega udara.
- Če je uporaba naprave na vlažnem mestu neizogibna, uporabite stikalo za prekinitev napajanja pri najmanjšem okvarnem toku. Uporaba stikala bo zmanjšala nevarnost električnega udara.

#### OSEBNA VARNOST

- Med uporabo naprave bodite pozorni, spremljajte potek dela in uporabljajte zdrav razum. Naprave ne

uporabljajte, kadar ste utrujeni oziroma pod vplivom drog, alkohola ali zdravil. Trenutek nepazljivosti med uporabo naprave lahko povzroči hude telesne poškodbe.

#### UPORABA IN NEGA NAPRAVE

- Ročaji in prijemalne površine naj bodo suhe, čiste in brez madežev olja ali masti. Drseči ročaji in prijemalne površine ne omogočajo varne uporabe in upravljanja naprave v nepričakovanih situacijah.

#### UPORABA IN NEGA BATERIJSKIH NAPRAV

- Baterijo polnite le s polnilnikom, ki ga določa proizvajalec. Polnilnik, ki je primeren za eno vrsto akumulatorja, morda lahko povzroči nevarnost požara, če z njim polnite drugo vrsto akumulatorja.
- Naprave uporabljajte samo s predpisano vrsto akumulatorja. Uporaba kateregakoli drugega akumulatorja lahko povzroči tveganje za telesne poškodbe in požar.
- Ko akumulator ni v uporabi, ga hranite ločeno od drugih kovinskih predmetov, kot so sponke za papir, kovanci, ključi, željni, vijaki ali drugi majhni kovinski predmeti, ki lahko povzročijo stik med enim in drugim kontaktom. Kratek stik zaradi povezanih kontaktov baterije lahko povzroči opekline ali požar.
- Ob zlorabi baterije lahko iz nje brizgne tekočina, stik s katero preprečite. Če se nehote dotaknete tekočine, mesto stika sperite z vodo. Če pride tekočina v stik z očmi, poleg tega poiščite zdravstveno pomoč. Tekočina, ki brizgne iz baterije, lahko povzroči draženje ali opekline.
- Ne uporabljajte poškodovanega ali spremenjenega akumulatorja ali naprave. Poškodovane ali spremenjene baterije se lahko nepredvidljivo vedejo, kar lahko povzroči požar, eksplozijo ali tveganje telesnih poškodb.
- Akumulatorja ali naprave ne izpostavljajte ognju ali previsokim temperaturam. Izpostavljanje ognju ali temperaturam nad 130 °C lahko povzroči eksplozijo.
- Upošteвайте vsa navodila za polnjenje in akumulatorja ali naprave ne polnite zunaj temperaturnega razpona, navedenega v navodilih. Zaradi nepravilnega polnjenja ali temperature zunaj navedenega razpona lahko pride do poškodb baterije in povečanega tveganja za požar.

#### SERVIS

- Napravo naj servisira usposobljen serviser, ki uporablja samo enake nadomestne dele. To bo zagotovilo ohranjanje varnosti naprave.

SL

- **Nikoli ne popravljajte poškodovanega akumulatorja.** Akumulator lahko popravi le proizvajalec ali pooblaščen izvajalec servisiranja.

## VARNOSTNA OPOZORILA ZA ZUNANJI ZVOČNIK BLUETOOTH

- Da bi zmanjšali tveganje požara ali električnega udara, te naprave ne izpostavljajte dežju ali vlagi. Uporaba samo na suhem mestu.
- Napravo uporabljajte samo v dobro prezračevanem prostoru.
- Preberite ta navodila.
- Upošteвайте vsa opozorila.
- Upošteвайте vsa navodila.
- Te naprave ne uporabljajte v bližini vode.
- Čistite samo s suho krpo.
- Ne blokirajte prezračevalnih odprtin. Namestite v skladu z navodili proizvajalca.
- Ne nameščajte v bližini virov toplote, kot so radiatorji, regulatorji toplote, peči ali druge naprave (vključno z ojačevalniki), ki proizvajajo toploto.
- Uporabljajte samo priključke/dodatke, ki jih je določil proizvajalec.
- Uporabljajte samo z vozičkom, stojalom, nosilcem ali mizo, ki jo je določil proizvajalec ali se prodaja skupaj z napravo. Ko uporabljate voziček, bodite previdni pri premikanju vozička z aparatom, da se izognete poškodbam zaradi prevrnitve.
- Vse servisiranje prepustite usposobljenemu servisnemu osebju. Servis je potreben, če je bil aparat kakorkoli poškodovan, na primer, da je poškodovan napajalni kabel ali vtič, če je bila polita tekočina ali so v aparat padli predmeti, če je bil aparat izpostavljen dežju ali vlagi, če ne deluje normalno, ali je padel na tla. Servis ali vzdrževanje, ki ga izvaja nekvalificirano osebje, lahko povzroči nevarnost poškodb.
- Baterijsko napravo z vgrajenimi baterijami ali ločenim akumulatorjem je treba polniti samo s polnilnikom, določenim za baterijo. Polnilnik, ki je morda primeren za eno vrsto baterije, lahko pri uporabi z drugo baterijo povzroči nevarnost požara.
- Aparata nikoli ne razstavljajte ali poskušajte na novo napeljati električnega sistema aparata.
- Vzdržujte aparat. Preverite neopornost, zlom delov in kakršnakoli druga stanja, ki bi lahko vplivala na delovanje aparata. Če je naprava poškodovana, jo dajte popraviti pred uporabo. Napravo uporabljajte v skladu s temi navodili, pri čemer upoštevajte delovne pogoje in delo, ki ga

nameravate opraviti. Uporaba aparata za operacije, ki niso predvidene, lahko povzroči nevarno situacijo.

- **Napravo hranite stran od drugih kovinskih predmetov, kot so sponke za papir, kovanci, ključji, žebliji, vijaki ali drugi majhni kovinski predmeti, ki lahko vzpostavijo povezavo z enega terminala do drugega.** Kratak stik med terminali lahko povzroči opekline ali požar.
- **Ne uporabljajte aparata, če je padel ali je dobil oster udarec.** Poškodovana naprava bo povečala nevarnost požara.
- Uporabljeno baterijo takoj zavrzite. Hranite izven dosega otrok. Ne razstavljajte in ne mečite v ogenj.
- **Uporabljajte samo priporočeni akumulator in polnilnik.**

**Ta navodila shranite.** Pogosto jih preberite in jih uporabite za poučevanje drugih, ki uporabljajo to napravo. Če ta stroj komu posodite, posodite tudi ta navodila tudi za preprečevanje zlorabe izdelka in možnosti poškodb.

## TEHNIČNI PODATKI

Napetost	56 V
Napetost napajalnika za izmenični tok	100-240 V~, 50/60 Hz
Izhodna moč	180 W
Izhodna moč ojačevalnika	Nizkotonski zvočnik: 80W x1
	Visokotonski zvočnik: 10W x 2
	Mid: 40W x 2
AUX Port	3,5 mm
Izhod USB-A	5 V, 2 A
Vhod/izhod USB-C	DC5V 3A / DC9V 3A / DC12V 3A / DC15V 3A / DC20V 5A
Bluetooth® razpon	> 55 m
Teža (brez akumulatorja)	7,7 kg
Priporočena obratovalna temperatura	Od -15 °C do 40 °C
Priporočena temperatura za shranjevanje	od -20 °C do 70 °C
Stopnja zaščite pred vdorom	IP54* (zaščita pred prahom in pljuskami vode)

\* **OPOMBA:** Stopnja zaščite IP54 temelji na napravi.

## VSEBINA PAKETA (SL. A1)

### OPIS

#### SPOZNAJTE SVOJ ZUNANJI ZVOČNIK BLUETOOTH (sl. A1)

1. Ročaj
2. Nadzorna plošča
3. Gumb za sprostitve baterije
4. Ambientalna svetloba
5. Gumijasti pokrov
6. AUX Port
7. Izhodna vrata USB-A
8. Vhodna/izhodna vrata USB-C
9. Indikator polnjenja
10. Gumb za VKLOP/IZKLOP
11. Gumb Bluetooth
12. Gumb za povezavo
13. Gumb za zmanjšanje glasnosti
14. Gumb za povečanje glasnosti
15. Gumb za predvajanje/zaustavitev
16. Gumb za povečanje nizkih tonov

### UPRAVLJANJE

#### UPORABA

Ta izdelek lahko uporabljate za naslednje namene:

- Predvajanje zvoka iz naprav, povezanih brezžično ali prek kabla AUX.

#### PRIKLJUČITEV/ODKLOP AKUMULATORJA

Napravo uporabljajte samo z akumulatorji in polnilniki EGO, navedenimi na sl. A2.

Za več podrobnosti glejte ustrezne priročnike za akumulatorje in polnilnike.

#### Pred prvo uporabo baterijo popolnoma napolnite.

**OPOMBA:** Zvočni signal vas bo opomnil, da je stanje napoljenosti baterije nizko.

#### Napotki za priključitev

Rebra baterije poravnajte z režami za namestitvev in pritisnite akumulator navzdol, da zaslišite »klik« (sl. B1).

#### Napotki za odklop

Pritisnite gumb za sprostitvev baterije in izvlecite akumulator (sl. B2).

**⚠ OPOZORILO:** Ko pritisnete gumb za sprostitvev baterij, bodite vedno pozorni na svoje noge, otroke ali hišne ljubljence. Če vam baterijski sklop pade na tla, lahko pride do hudih poškodb. NIKOLI ne odstranjujte baterije, če ste na visokem mestu.

B1-1	Reža za montažo	B1-2	Rebro
B1-3	Gumb za sprostitvev baterije		

#### UPORABA NAPAVALNIKA ZA IZMENIČNI TOK (NI PRILOŽEN)

Napajalnik za izmenični tok ni priložen ob dobavi. Adapter in polnilni kabel, ki sta skladna s protokolom PD in večja od 60 W, se lahko uporabljata kot napajalnik.

**OPOMBA:** Če uporabljate samo napajalnik za izmenični tok, lahko to vpliva na kakovost zvoka in glasnost glasbe.

Odprite gumijasti pokrov in vstavite vtič napajalnika za izmenični tok v vhodna/izhodna vrata USB-C na zadnji strani zvočnika. Napajalnik vključite v standardno električno vtičnico (sl. C1).

Vsakič, ko je priključen napajalnik, se vstavljena akumulator samodejno začne polniti. Majhna lučka nad simbolom indikatorja polnjenja bo utripala belo. Ko je akumulator popolnoma napolnjen, bo mala lučka svetila neprekinjeno belo. Ko majhna lučka sveti neprekinjeno rdeče, to pomeni, da je akumulator okvarjen (sl. C2).

Ko napajalnika za izmenični tok ne uporabljate, ga izključite iz električne vtičnice.

**OPOMBA:** Akumulator in naprave USB, kot so mobilni telefoni, predvajalniki MP3 itd., ki so priključeni na izhodna vrata USB-A, se lahko polnijo, ko je priključen napajalnik za izmenični tok.

**POZOR:** Po vsaki uporabi vedno zaprite gumijasti pokrov, da zaščitite vrata pred prahom, umazanijo in vlago.

C1-1	Napajalnik za izmenični tok	C1-2	Vhodna/izhodna vrata USB-C
C1-3	Gumijasti pokrov	C2-1	Majhna lučka
C2-2	Indikator polnjenja		

#### VKLOP IN IZKLOP ZVOČNIKA (sl. D)

Na kratko pritisnite gumb VKLOP/IZKLOP, zvočnik se bo vklopil, lučka gumba VKLOP/IZKLOP bo ostala prižgana in zvok bo napovedal povezavo.

**SL**

Če želite izklopiti zvočnik, na kratko pritisnite gumb VKLOP/IZKLOP. Zvok bo napovedal prekinitev povezave.

**OPOMBA:** zvočnik se bo samodejno izklopil po 20 minutah, če se glasba ne predvaja ali ni izhoda iz vrat USB-A ali USB-C.

D-1	Gumb za VKLOP/IZKLOP
-----	----------------------

## BLUETOOTH® NAČIN DELOVANJA (sl. E)

Ko vklopite zvočnik, se bo Bluetooth® seznanjanje samodejno vklopilo, kar je razvidno iz tega, da bo gumb Bluetooth® začel belo utripati.

- Aktivirajte funkcijo Bluetooth® na napravi, ki jo želite povezati (pametni telefon ali podobno) in izberite »EGO SK1800E« kot ciljno Bluetooth® povezavo na vaši napravi.
- Zvok bo obvestil povezavo in gumb Bluetooth® bo ostal prižgan, ko bo naprava uspešno priključena.

**OPOMBA:** Če je zvočnik predhodno seznanjen z zeleno napravo, se bo samodejno znova povezal z isto napravo, ko bo zvočnik vklopljen.

**OPOMBA:** Če zvočnik nenadoma nima zvoka ali predvaja zvok drugega medija, to pomeni, da je druga povezana naprava prevzela nadzor nad zvočnikom in začela predvajati tihi oglas ali drugo pesem.

Bluetooth® način seznanjanja bo aktiven le 3 minute in se samodejno izklopi, če nobena naprava ni povezana/seznanjena.

Na kratko pritisnite gumb Bluetooth®. Gumb Bluetooth® bo začel utripati, s čimer sporoča, da je napravo mogoče povezati.

Na zvočnik lahko preko Bluetooth® povežete dve napravi hkrati.

- Ko je prva naprava povezana, pritisnite gumb Bluetooth®, dokler ne začne utripati.
- Ko gumb Bluetooth® začne utripati, na drugi napravi izberite »EGO SK1800E« in se priključite na zvočnik. Ko je povezava uspešna, se prikaže glasovno obvestilo, da je bila druga naprava povezana.

**OPOMBA:** Če pride do težave s predvajanjem, znova zaženite zvočnik.

**Prekinitev povezave z Bluetooth® napravo:** Pritisnite in pridržite gumb Bluetooth® za več kot 2 sekundi ali odklopite zvočnik na svoji napravi.

E-1	Gumb Bluetooth®
-----	-----------------

## ZA POVEZAVO VEČ SK1800E ENOT Z UPORABO POVEZAVE (sl. F1, F2)

S povezavo lahko povežete do 100 kosov SK1800E zvočnikov.

Vklopite zvočnike in se prepričajte, da je eden od zvočnikov povezan z napravo prek povezave Bluetooth.

Zvočnik, priključen na napravo, bo deloval kot »gostiteljska« enota in lahko nadzoruje predvajanje (glasnost, predvajanje/premor itd.).

**OPOMBA:** Ko je glasnost na »gostiteljski« enoti nastavljena, se drugi priključeni zvočniki takoj prilagodijo na enako raven glasnosti kot »gostiteljska« enota.

Pritisnite in držite gumb za povezavo več kot 2 sekundi na »gostiteljski« enoti in sekundarnem zvočniku. Ko priključeni zvočnik predvaja glasbo »gostiteljske« enote, to pomeni, da sta zvočnika samodejno povezana drug z drugim.

**OPOMBA:** Če se želite pozneje povezati s tretjim, četrtem ali devetindevetdesetim zvočnikom, morate na dodatnih zvočnikih pritisniti in držati gumb LINK več kot 2 sekundi.

Razdalja med dvema povezanimi zvočnikoma ne sme presegati 40 metrov na prostem.

Pritisnite in držite gumb za povezavo več kot 2 sekundi na »gostiteljski« enoti ali na kratko izklopite druge zvočnike, da odklopite sistem LINK.

Poleg povezovanja več zvočnikov lahko gumb za povezavo upravlja tudi ambientalno luč. Pritisnite gumb LINK, da vklopite ali izklopite ambientalno luč. Ko se glasba ne predvaja, se bo ambientalna luč postopoma zatemnila, nato pa se bo postopoma vrnila na največjo svetlost.

F1-1	Gumb za povezavo	F2-1	Ambientalna svetloba
------	------------------	------	----------------------

## NASTAVITEV GLASNOSTI (sl. G)

Radio ima 16 stopenj glasnosti.

- Če želite zmanjšati glasnost, enkrat pritisnite gumb »-«, da glasnost zmanjšate za eno raven.
- Pritisnite in držite gumb »-«, da postopoma zmanjšate glasnost. Pritisk na gumb »-« lahko prenehate, ko dosežete zeleno stopnjo glasnosti.
- Če želite povečati glasnost, enkrat pritisnite gumb »+«, da povečate glasnost za eno raven.
- Pritisnite in držite gumb »+«, da postopoma povečate glasnost. Pritisk na gumb »+« lahko prenehate, ko dosežete zeleno stopnjo glasnosti.

Nastavitev glasnosti ne more samo prilagoditi glasnosti zvočnika, temveč lahko prilagodi tudi glasnost na napravi.



**OPOMBA:** Ko je glasnost nastavljena na najvišjo, vas bo zvočni signal opomnil, da je dosežena največja glasnost.

G-1	Gumb za zmanjšanje in povečanje glasnosti
-----	---

### PREDVAJANJE/PREMOR (sl. H)

Pritisnite gumb za predvajanje/premor, da zaženete ali zaustavite glasbo.

Dvakrat hitro pritisnite gumb za predvajanje/premor, da se premaknete na naslednjo skladbo/datoteko.

H-1	Gumb za predvajanje/zaustavitvev
-----	----------------------------------

### POVEČANJE NIZKIH TONOV (sl. I)

- Pritisnite gumb za povečanje nizkih tonov, da okrepite bas. Gumb za povečanje nizkih tonov bo ostal osvetljen, kar pomeni, da je bas ojačen.
- Znova pritisnite gumb za povečanje nizkih tonov, da nizke tone vrnete na normalno raven. Lučka gumba za povečanje nizkih tonov se bo ugasnila.

I-1	Gumb za povečanje nizkih tonov
-----	--------------------------------

### NAČIN DELOVANJA AUX (sl. J)

Odprite gumijasti pokrov, vstavite kabel AUX (ni priložen) v vrata AUX in se prepričajte, da je pravilno priključen.

Zunanji vir glasbe (predvajalnik MP3 ali podobno) priključite na drugi konec kabla AUX.

Vklopite zvočnik in začnite predvajanje.

Ko končate predvajanje, odklopite kabel AUX.

**OPOMBA:** Baterij povezanih naprav ni možno polniti prek povezave AUX.

**OPOMBA:** Ko je zvočnik izklopljen, se priključena naprava ne izklopi samodejno.

J-1	AUX Port	J-2	Izhodna vrata USB-A
J-3	Gumijasti pokrov	J-4	Vhodna/izhodna vrata USB-C

### NAPAJALNA VRATA USB (sl. J)

Ko je akumulator nameščen ali je zvočnik priključen na napajanje z izmeničnim tokom in je zvočnik vklopljen, bodo izhodna vrata USB-A in vhodna/izhodna vrata USB-C zagotavljala napajanje za naprave z nizko porabo energije, kot so mobilni telefoni, MP3 predvajalniki itd. Po polnjenju takoj odklopite napravo USB.

**OPOMBA:** Izhodnih vrat USB-A ni mogoče uporabiti za predvajanje zvoka. Predvajanje zvoka je možno samo prek povezave Bluetooth ali AUX.

**POZOR:** Po vsaki uporabi vedno zaprite gumijasti pokrov, da zaščitite vrata pred prahom, umazanijo in vlago.

### VZDRŽEVANJE

**⚠ OPOZORILO:** Za popravila uporabljajte samo identične nadomestne dele. Uporaba drugih delov je tvegana in lahko poškoduje izdelek. Za zagotovitev varnosti in zanesljivosti mora vsa popravila izvesti usposobljen servisni tehnik.

**⚠ OPOZORILO:** Pri čiščenju ali vzdrževanju vedno odstranite baterijo iz orodja, da preprečite hude telesne poškodbe.

### SPLOŠNO VZDRŽEVANJE

Pri čiščenju plastičnih delov ne uporabljajte topil. Večina vrst plastike se lahko pri uporabi različnih komercialnih topil poškoduje. Umazanijo, prah, olje, mast itd. odstranite s čisto krpo.

**⚠ OPOZORILO:** Zavorna tekočina, gorivo, izdelki na osnovi naftnih derivatov, prodirajoče olje nikoli ne smejo priti v stik s plastičnimi deli. Kemikalije lahko poškodujejo, oslabijo ali uničijo plastiko, kar lahko povzroči hude telesne poškodbe.

**⚠ OPOZORILO:** Če želite zmanjšati nevarnost požara, telesnih poškodb in poškodb izdelka zaradi kratkega stika, stroja, baterijskega sklopa ali polnilnika nikoli ne potopite v tekočino in ne dovolite, da tekočina teče v njih. Jedke ali prevodne tekočine, kot so morska voda, nekatere industrijske kemikalije in izdelki, ki vsebujejo belilo ali belilo itd., lahko povzročijo kratek stik.

### SKLADIŠČENJE

1. Odstranite akumulator iz zvočnika.
2. Z zvočnika odstranite vse tuje.
3. Zvočnik shranjujte v suhem, dobro prezračevanem prostoru, izven dosega otrok. Zvočnika ne shranjujte na gnojilih, bencinu ali drugih kemikalijah ali v njihovi bližini.

### VAROVANJE OKOLJA



Električne opreme, rabljene baterije in polnilnika ne odvrzite med gospodinjske odpadke! Izdelek odnesite na pooblaščen obrat za recikliranje in ga zavrzite ločeno. Električna orodja je treba odnesti na obrat za recikliranje in ga reciklirati na okolju prijazen način.

SL

**ODPRAVLJANJE TEŽAV**

TEŽAVA	VZROK	REŠITEV
Zvočnik ne deluje.	<ul style="list-style-type: none"><li>■ Akumulator ni pritrjen na zvočnik</li><li>■ Med zvočnikom in baterijo ni električnega stika.</li><li>■ Akumulator je izpraznjen.</li><li>■ Akumulator je prevroč.</li></ul>	<ul style="list-style-type: none"><li>■ Namestite akumulator v zvočnik.</li><li>■ Odstranite baterijski sklop, preverite kontakte in znova namestite baterijski sklop.</li><li>■ Napolnite baterijski sklop.</li><li>■ Akumulator ohladite, dokler temperatura ne pade pod 152 ° F (67 ° C).</li></ul>
Zvočnik se ne more pravilno seznaniti z napravo Bluetooth.	<ul style="list-style-type: none"><li>■ Izven dosega za seznanjanje Bluetooth.</li></ul>	<ul style="list-style-type: none"><li>■ Premaknite napravo bližje zvočniku.</li></ul>

**GARANCIJA****GARANCIJSKA POLITIKA DRUŽBE EGO**

Za popolne pogoje garancijske politike družbe EGO obiščite spletno mesto [egopowerplus.eu](http://egopowerplus.eu).

## PERSKAITYKITE VISAS INSTRUKCIJAS!



SKAITYTI NAUDOTOJO INSTRUKCIJĄ

**⚠️ ĮSPĖJIMAS:** Kad būtų užtikrintas saugumas ir patikimumas, visus remonto darbus turi atlikti kvalifikuotas techninės priežiūros specialistas.

## SAUGOS SIMBOLIAI

Saugos simbolių paskirtis – atkreipti dėmesį į galimus pavojus. Gerai susipažinkite su saugos simboliais bei jų paaiškinimais ir juos įsidėmėkite. Simbolių įspėjimai patys savaime negali apsaugoti nuo pavojų. Jais žymimi nurodymai ir įspėjimai neatstoja tinkamų nelaimingų atsitikimų prevencijos priemonių.

**⚠️ ĮSPĖJIMAS:** Prieš pradėdami naudoti šį įrenginį, perskaitykite visus šioje naudojimo instrukcijoje pateiktus saugos nurodymus, įskaitant visus saugos įspėjamuosius simbolius, tokius kaip „PAVOJUS“, „ĮSPĖJIMAS“ ir „DĖMESIO“ bei įsitikinkite, ar viską gerai supratote. Nesilaikant visų toliau išdėstytų nurodymų galima patirti elektros smūgį, sukelti gaisrą ir (ar) sunkiai susižaloti.

## SAUGOS NURODYMAI

Šiame puslapyje pavaizduoti ir aprašyti saugos simboliai, kurie gali būti nurodyti ant šio gaminio. Prieš bandydami surinkti ir naudoti įrankį, perskaitykite visus ant jo pateiktus nurodymus, įsitikinkite, kad juos supratote, ir jais vadovaukitės.



Įspėjimas dėl saugos



Kad sumažintų susižalojimo pavojų, naudotojas privalo perskaityti naudojimo instrukciją.



Bluetooth®



Netinkamus naudoti elektrinius gaminius draudžiama išmesti kartu su buitinėmis atliekomis. Pristatyti įgaliotam perdirbėjui.



Šis gaminytis atitinka taikomas EB direktyvas.



Įvertinta JK atitiktis



Nuolatinė srovė

W Vatai

Hz Hercai

m Metrai

V Įtampa

kg Kilogramai

°C Celsijaus laipsniai

mm Milimetrai

LT

## BENDRIEJI ĮSPĖJIMAI DĖL ĮRENGINIO NAUDOJIMO SAUGOS

**⚠ ĮSPĖJIMAS: PERSKAITYKITE IR PERŽIURĖKITE VISUS SU ŠIUO ĮRENGINIU PATEIKTUS SAUGOS NURODYMUS, INSTRUKCIJAS, PAVEIKSLĖLIUS IR SPECIFIKACIJAS.** Nesilaikant visų toliau išdėstytų nurodymų galima patirti elektros smūgį, sukelti gaisrą ir (ar) sunkiai susižaloti.

**ĮŠSAUGOKITE VISAS INSTRUKCIJAS SU ĮSPĖJIMAIS, NES JŲ GALI PRIREIKTI ATEITYJE.**

### SAUGA DARBO VIETOJE

- Darbo vieta turi būti švari ir gerai apšviesta. Jei darbo vieta netvarkinga ar blogai apšviesta, gali įvykti nelaimingas atsitikimas.
- Nedirbkite su įrenginiu sprogyje aplinkoje, pvz., ten, kur yra degių skysčių, dujų arba dulkių. Įrenginys kibirkščiuoja, o kibirkštys gali uždegti dulkes arba garus.
- Dirbdami su elektriniu įrenginiu, neleiskite artintis vaikams ir pašaliniams asmenims. Dėl dėmesio blaškymo įrenginio galite nesuvaldyti.

### ELEKTROSAUGA

- Elektrinio įrenginio kištukas turi tikti elektros lizdai. Niekada jokiais būdais kištuko neperdarykite. Su įžemintais elektriniais įrenginiais nenaudokite jokių kištuko adapterių. Originalūs kištukai, tiksliai tinkantys elektros tinklo lizdai, sumažina elektros smūgio pavojų.
- Nesilieskite prie įžemintų paviršių, pavyzdžiui, vamzdžių, radiatorių, viryklių ir šaldytuvų. Jei įsūję kūnas bus įžemintas, padidės elektros smūgio pavojus.
- Atsargiai elkitės su maitinimo laidu. Niekada nenaudokite laido nešimui, traukimui arba įkroviklio atjungimui nuo maitinimo tinklo. Saugokite laidą nuo kaitros šaltinių, alyvos, aštrių briaunų ir judančių dalių. Pažeidus arba supainiojus laidus išsauga pavojus patirti elektros smūgį.
- Kai garsiakalbį naudojate lauke, naudokite laukui skirtą laido ilgintuvą. Naudojant laukui skirtą maitinimo laidą sumažėja pavojus patirti elektros smūgį.
- Jei nėra galimybės išvengti elektrinio įrenginio naudojimo drėgnoje vietoje, naudokite maitinimo šaltinį, apsaugotą nuotėkio rele. Nuotėkio relė sumažina pavojų patirti elektros smūgį.

### ASMENINĖ SAUGA

- Naudodami įrenginį būkite budrus, stebėkite, ką darote, ir vadovaukitės sveika nuovoka. Nedirbkite

su įrenginiu, jei esate pavargę arba vartojote narkotikus, alkoholį ar medikamentus. Neatidumo akimirka dirbant su įrenginiais gali lemti sunkią traumą.

### ĮRENGINIO NAUDOJIMAS IR PRIEŽIŪRA

- Rankenos ir sugriebimo paviršiai turi būti sausi, švarūs ir neištepti alyva ar tepalu. Dėl slidžių rankenų ir laikymo paviršių įrenginį sunku saugiai valdyti ir jis gali išsprūsti netikėtomis aplinkybėmis.

### AKUMULIATORINIO ĮRENGINIO NAUDOJIMAS IR PRIEŽIŪRA

- Kraukite naudodami tik gamintojo nurodytą įkroviklį. Įkroviklis, tinkamas vieno tipo sudėtinėi baterijai, gali kelti gaisro pavojų, jei naudojamas su kito tipo sudėtinė baterija.
- Įrenginius naudokite tik su jiems skirtomis sudėtinėmis baterijomis. Naudojant kitokias sudėtines baterijas gali kilti sužalojimų ir gaisro pavojus.
- Nenaudojama sudėtinė baterija turi būti laikoma atokiau nuo metalinių daiktų, tokių kaip sąvaržėlės, monetos, raktai, viny, varžtai ar kiti smulkūs metaliniai daiktai, galintys sujungti abu baterijos gnybtus. Įvykus trumpajam jungimui tarp baterijos gnybtų galima nusidėginti ar gali kilti gaisras.
- Dėl netinkamų sąlygų iš baterijos gali ištekėti skystis – nelieskite jo. Skysčiui atsitiktinai patekus ant odos, nedelsiant nuplaukite vandeniu. Jeigu skystis pateko į akis, kreipkitės ir į gydytojus. Iš baterijos ištekėjęs skystis gali dirginti arba nudeginti.
- Nenaudokite pažeistos ar modifikuotos sudėtinės baterijos ar įrankio. Tokios netinkamos sudėtinės baterijos gali kelti gaisro, sprogdimo ar sužalojimo pavojų.
- Sudėtinės baterijos ar įrenginio negalima deginti ar kaitinti. Bateriją deginant ar įkaitinus virš 130 °C ji gali sprogti.
- Laikykitės įrenginio ar sudėtinės baterijos įkrovimo instrukcijų ir juos kraukite nurodytame temperatūrų diapazone. Priešingu atveju galite sugadinti bateriją ar net sukelti gaisrą.

### TECHNINĖ PRIEŽIŪRA

- Įrenginio techninę priežiūrą gali vykdyti tik kvalifikuotas specialistas, sugedusias dalis keičiantis tik originaliomis atsarginėmis dalimis. Taip užtikrinsite savo įrenginio saugą.
- Niekada neremontuokite sugadintų sudėtinųjų baterijų. Baterijas remontuoti gali tik gamintojas arba įgalioto techninės priežiūros centro specialistai.

## LAUKO „BLUETOOTH“ GARSIKALBIO SAUGOS ĮSPĖJIMAI

- Kad sumažintumėte gaisro ar elektros smūgio pavojų, nelaikykite šio prietaiso po lietumi ar drėgnoje aplinkoje. Naudoti tik sausoje vietoje.
- Šį prietaisą naudokite tik gerai vėdinamoje patalpoje.
- Perskaitykite šias instrukcijas.
- Atsižvelkite į visus įspėjimus.
- Laikykites visų nurodymų.
- Nenaudokite šio prietaiso prie vandens.
- Valykite tik sausa šluoste.
- Neuždenkite jokių vėdinimo angų. Montuokite pagal gamintojo nurodymus.
- Nemontuokite šalia jokių šilumos šaltinių, pvz., radiatorių, šilumokaičių, viryklių ar kitų aparatų (įskaitant stiprintuvus), kurie skleidžia šilumą.
- Naudokite tik gamintojo nurodytus priedus / aksesuarus.
- Naudokite tik su gamintojo nurodytu vežimėliu, stovu, trikoju, laikikliu arba stalu, arba su kartu parduodamu aparatu. Kai naudojamas vežimėlis, vežimėlį ir aparatą stumdykite atsargiai, kad išvengtumėte sužeidimų jam apvirtus.
- Visus aptarnavimo darbus paveskite atlikti kvalifikuotiems techninės priežiūros darbuotojams. Priežiūra būtina, jei prietaisas buvo kaip nors pažeistas, pavyzdžiui, pažeistas maitinimo laidas arba kištukas, į prietaisą pateko skysčio arba ten įkrito tam tikrų medžiagų, prietaisas buvo veikiamas lietaus arba drėgmės, neveikia normaliai arba buvo numestas. Jei remonto arba techninės priežiūros darbus atlieka nekvalifikuoti asmenys, kyla pavojus susižaloti.
- Akumuliatorinis įrenginys su įmontuotomis baterijomis arba atskiromis sudėtinėmis baterijomis turi būti įkraunamas tik nurodytu baterijų įkrovikliu. Įkrovikliu, kuris tinka vieno tipo baterijai, įkraunant kitokio tipo bateriją gali kilti gaisras.
- Niekada neišardykite prietaiso ir nebandykite permontuoti prietaiso elektros sistemos.
- Atlikite prietaiso techninę priežiūrą. Patikrinkite, ar nėra neatitikimų, detalių pažeidimų ir kitų aplinkybių, galinčių turėti įtakos prietaiso veikimui. Jei prietaisas pažeistas, prieš naudodami jį sutaisykite. Naudokite prietaisą pagal šias instrukcijas, atsižvelgdami į darbo sąlygas ir atliekamus darbus. Naudojant prietaisą ne pagal paskirtį gali susidaryti pavojingos aplinkybės.

- Laikykite aparatą atokiau nuo kitų metalinių daiktų, pavyzdžiui, segtukų, monetų, raktų, vinių, varžtų ar kitų smulkių metalinių daiktų, kurie gali sujungti vieną gnybtą su kitu. Įvykus gnybtų trumpajam jungimui, galima nusideginti ar gali kilti gaisras.
- Nenaudokite prietaiso, jei jis buvo numestas arba patyrė stiprų smūgį. Dėl pažeisto aparato padidėja gaisro pavojus.
- Nedelsdami išmeskite panaudotą bateriją. Saugokite nuo vaikų. Neišardykite ir neišmeskite į ugnį.
- Naudokite tik su nurodytomis sudėtinėmis baterijomis ir įkrovikliais.

**Pasilikite šias instrukcijas.** Dažnai ją paskaitykite ir panaudokite kitiems asmenims, kuriems patikėsite šį įrenginį, apmokyti. Jei kam nors skolinatė šį įrenginį, perduokite ir šias instrukcijas; taip užkirsite kelią netinkamam gaminio naudojimui ir galimiems sužeidimams.

## TECHNINIAI DUOMENYS

Įtampa	56 V
AC maitinimo adapterio įtampa	100-240 V~, 50/60 Hz
Išėjimo galia	180 W
Stiprintuvo išvesties galia	Žemų dažnių garsiakalbis: 80W x1
	Aukštadažnis garsiakalbis: 10W x 2
	Vidurio: 40 W x 2
AUX prievadas	3,5 mm
USB-A išvestis	5 V, 2 A
USB-C įvestis / išvestis	DC5V 3A / DC9V 3A / DC12V 3A / DC15V 3A / DC20V 5A
Bluetooth® veikimo atstumas	> 55 m
Svoris (be sudėtinės baterijos)	7,7 kg
Rekomenduojama darbo temperatūra	Nuo -15 °C iki 40 °C
Rekomenduojama laikymo temperatūra	Nuo -20 °C iki 70 °C
Apsaugos nuo įsiskverbimo klasė	IP54* (Apsauga nuo dulkių ir vandens purslų)

\* **PASTABA:** IP54 apsaugos klasė priklauso nuo įrenginio.

LT

## PAKUOTĖS TURINIO SĄRAŠAS (A1 PAV.)

### APRAŠYMAS

#### JŪSŲ „BLUETOOTH“ LAUKO GARSIKALBIS (A1 pav.)

1. Rankena
2. Valdymo skydelis
3. Baterijos atjungimo mygtukas
4. Į kvėpavimą reaguojantis apšvietimas
5. Guminis dangtelis
6. AUX prievadas
7. USB-A išvesties prievadas
8. USB-C įvesties / išvesties prievadas
9. Įkrovos būsenos indikatorius
10. Įjungimo ir išjungimo mygtukas
11. „Bluetooth“ mygtukas
12. Susiejimo mygtukas
13. Garso mažinimo mygtukas
14. Garso didinimo mygtukas
15. „Play“ (paleidimo) / „Pause“ (sustabdymo) mygtukas
16. Žemų dažnių didinimo mygtukas

### EKSPLOATAVIMAS

#### PASKIRTIS

Galite naudoti šį gaminį toliau išvardytais tikslais:

- Garso atkūrimas iš prietaisų, prijungtų belaidžiu ryšiu arba AUX kabeliu.

#### SUDĖTINĖS BATERIJOS ĮSTATYMAS IR IŠĖMIMAS

Naudokite tik A2 pav. pateiktas EGO sudėtines baterijas ir įkroviklius.

Daugiau informacijos rasite atitinkamuose sudėtinių baterijų ir įkroviklių vadovuose.

**Prieš bateriją naudodami pirmą kartą, visiškai ją įkraukite.**

**PASTABA.** Kai akumuliatoriaus įkrovos lygis bus žemas, apie tai primins garsinis signalas.

#### Įstatymas

Sulygiuokite sudėtinės baterijos iškyšas su tvirtinimo grioveliais ir spauskite bateriją žemyn, kol išgirsite spragtelėjimą (B1 pav.).

#### Išėmimas

Paspauskite baterijos atjungimo mygtuką ir ištraukite sudėtinę bateriją (B2 pav.).

**⚠️ ĮSPĖJIMAS:** Prieš paspausdami baterijos atjungimo mygtuką, visada atkreipkite dėmesį į savo kojas, vaikus ir augintinių buvimą vietoje. Iškritusi baterija gali sunkiai sužaloti. NIEKADA nebandykite išimti baterijos, kai įrankis aukštai pakeltas.

B1-1	Tvirtinimo griovelis	B1-2	Briauna
B1-3	Baterijos atjungimo mygtukas		

#### AC MAITINIMO ADAPTERIO (NEPRIDEDAMAS) NAUDOJIMAS

Siunčiant AC maitinimo adapteris į komplektą neįeina. Kaip maitinimo adapterį galima naudoti adapterį ir įkrovimo kabelį, atitinkantį PD protokolą ir didesni nei 60 W.

**PASTABA:** Naudojant tik AC maitinimo adapterį, gali nukentėti garso kokybė ir muzikos garsumas.

Atidarykite guminį dangtelį ir įkiškite AC maitinimo adapterio kištuką į USB-C įvesties / išvesties prievadą garsiakalbio galinėje dalyje. Įjunkite adapterį į standartinį elektros lizdą (C1 pav.).

Prijungus maitinimo adapterį, įdėta sudėtinė baterija įkraunama automatiškai. Maža taškinė lemputė virš įkrovimo indikatoriaus simbolio mirksės baltai. Kai sudėtinė baterija visiškai įkrauta, maža taškinė lemputė švies balta spalva. Kai maža taškinė lemputė šviečia raudona spalva, reiškia, kad sudėtinė baterija sugedusi (C2 pav.).

Nenaudojamą AC maitinimo adapterį reikia atjungti nuo elektros lizdo.

**PASTABA:** Prijungus kintamosios srovės adapterį, galima įkrauti sudėtinę bateriją ir USB įrenginius, pavyzdžiui, mobiliuosius telefonus, MP3 grotuvus ir kt., prijungtus prie USB-A išvesties prievado.

**PASTABA:** Po kiekvieno naudojimo visada uždarykite guminį dangtelį, kad apsaugotumėte prievadus nuo dulkių, purvo ir drėgmės.

C1-1	AC adapteris	C1-2	USB-C įvesties / išvesties prievadas
C1-3	Guminis dangtelis	C2-1	Maža taškinė lemputė
C2-2	Įkrovos būsenos indikatorius		

## GARSIKALBIO ĮJUNGIMAS IR IŠJUNGIMAS (D pav.)

Trumpai spustelėkite ON/OFF (įjungimo / išjungimo) mygtuką, garsikalbis įsijungs, įjungimo / išjungimo mygtuko lemputė liks šviesti, o garsas praneš apie prisijungimą.

Norėdami išjungti garsikalbį, trumpai paspauskite ON/OFF mygtuką. Garsinis signalas praneš apie atjungimą.

**PASTABA:** garsikalbis automatiškai išsijungs po 20 minučių, jei nebus leidžiama muzika arba nebus jokios išvesties iš USB-A arba USB-C prievadu.

D-1	Įjungimo ir išjungimo mygtukas
-----	--------------------------------

## „BLUETOOTH“ EKSPLOATAVIMO REŽIMAS (E pav.)

Įjungus garsikalbį, automatiškai įsijungs „Bluetooth“ susiejimas, kurį rodo baltai mirksintis „Bluetooth“ mygtukas.

- Prijungiamame įrenginyje (išmaniajame telefone ar pan.) įjunkite „Bluetooth“ funkciją ir pasirinkite „EGO SK1800E“ kaip „Bluetooth“ susiejimo objektą savo įrenginyje.
- Sėkmingai prijungus įrenginį, apie prisijungimą informuos garsas, o „Bluetooth“ mygtukas liks šviesti.

**PASTABA:** Jei anksčiau buvo susietas su norimu įrenginiu, įjungus garsikalbį jis automatiškai vėl prisijungs prie to paties įrenginio.

**PASTABA:** Jei garsikalbis staiga nebeskleidžia garso arba groja kitos laikmenos garsą, tai reiškia, kad antrasis prijungtas prietaisas perėmė garsikalbio valdymą ir paleido begarsę reklamą arba dainą.

„Bluetooth“ susiejimo režimas bus aktyvus tik 3 minutes ir automatiškai išsijungs, jei nebus prijungtas/suporuotas joks prietaisas.

Spustelėkite „Bluetooth“ mygtuką ir jis pradės mirksėti, taip rodydamas, kad įrenginį galima prijungti.

Vienu metu prie garsikalbio per „Bluetooth“ galima prijungti du įrenginius.

- Prijungę pirmąjį įrenginį, spustelėkite „Bluetooth“ mygtuką, kol jis pradės mirksėti.
- Kai „Bluetooth“ mygtukas pradės mirksėti, antrajame įrenginyje pasirinkite „EGO SK1800E“ ir prijunkite jį prie garsikalbio. Sėkmingai prisijungus, pasigirsta balso pranešimas, kad antrasis įrenginys prijungtas.

**PASTABA:** Jei kyla problemų dėl paleidimo, iš naujo paleiskite garsikalbį.

„Bluetooth“ įrenginio atjungimas: Paspauskite ir ilgiau nei 2 sekundes palaikykite nuspaudę „Bluetooth“ mygtuką arba atjunkite savo įrenginio garsikalbį.

E-1	„Bluetooth“ mygtukas
-----	----------------------

## KAIP PRIJUNGTI KELIS SK1800E ĮRENGINIUS NAUDOJANT JUNGTĮ (F1, F2 pav.)

Naudojant jungtį galima prijungti iki 100 SK1800E garsikalbių.

Įjunkite garsikalbius ir įsitikinkite, kad vienas iš garsikalbių yra prijungtas prie įrenginio per „Bluetooth“.

Prie įrenginio prijungtas garsikalbis veiks kaip pagrindinis įrenginys ir galės valdyti leidimą (garsumą, grojimą / pauzę ir t. t.).

**PASTABA:** Pagrindiniame įrenginyje nustatius garsumą, kiti prijungti garsikalbiai iš karto prisitaiko prie to paties garsumo lygio kaip ir pagrindiniame įrenginyje.

Spustelėkite ir ilgiau nei 2 sekundes palaikykite susiejimo mygtuką ant pagrindinio ir antrinio garsikalbio. Kai prijungtas garsikalbis groja muziką iš pagrindinio įrenginio, tai reiškia, kad abu garsikalbiai automatiškai susieti tarpusavyje.

**PASTABA:** Jei vėliau norite prijungti trečią, ketvirtą ar devyniasdešimt devintą garsikalbį, tereikia paspausti ir ilgiau nei 2 sekundes palaikyti „LINK“ mygtuką papildomame (-uose) garsikalbyje (-iuose).

Atstumas tarp dviejų sujungtų garsikalbių atviroje erdvėje negali būti didesnis nei 40 metrų.

Paspauskite ir ilgiau nei 2 sekundes palaikykite pagrindinio įrenginio nuorodos mygtuką arba trumpam išjunkite kitus garsikalbius, kad atjungtumėte „LINK“ sistemą.

Susiejimo mygtuku galima ne tik prijungti kelis garsikalbius, bet ir valdyti į kvėpavimą reaguojantį apšvietimą. Spustelėkite „LINK“ mygtuką, kad įjungtumėte arba išjungtumėte į kvėpavimą reaguojantį apšvietimą. Kai muzika negroja, į kvėpavimą reaguojantis apšvietimas palaipsniui gęsta, kol visiškai išsijungia, tada palaipsniui vėl pradeda ryškėti iki maksimalaus ryškumo.

F1-1	Susiejimo mygtukas	F2-1	Į kvėpavimą reaguojantis apšvietimas
------	--------------------	------	--------------------------------------

## GARSUMO NUSTATYMAS (G pav.)

Garsikalbyje yra 16 garsumo lygių.

- Norėdami sumažinti garsą, vieną kartą paspauskite mygtuką „-“, kad sumažintumėte garsą vienu lygiu.

LT

- Paspauskite ir palaikykite mygtuką „-“, kad palaipsniui sumažintumėte garsą. Kai garsas pasiekia pageidaujamą lygį, galite nebespausti mygtuko „-“.
- Norėdami padidinti garsą, vieną kartą paspauskite mygtuką „+“, kad garsumas padidėtų vienu lygiu.
- Paspauskite ir palaikykite mygtuką „+“, kad palaipsniui padidintumėte garsą. Kai garsas pasiekia pageidaujamą lygį, galite nebespausti mygtuko „+“.

Reguliuojant garsumą galima reguliuoti ne tik garsiakalbį, bet ir įrenginio garsą.

**PASTABA.** Kai garsas nustatomas iki didžiausio, pasigirsta garsinis pranešimas, kad garsas pasiekė maksimalų lygį.

G-1	Garsumo mažinimo ir didinimo mygtukas
-----	---------------------------------------

## LEISTI / STABDYTI (H pav.)

Paspauskite mygtuką „leisti / stabdyti“ („Play/pause“) mygtuką, kad paleistumėte arba pristabdytumėte muzikos grojimą.

Norėdami pereiti prie kito kūrinio / failo, du kartus greitai paspauskite mygtuką „leisti / stabdyti“.

H-1	Mygtukas „leisti / stabdyti“
-----	------------------------------

## ŽEMŲ DAŽNIŲ DIDINIMAS (I pav.)

- Paspauskite žemų dažnių didinimo mygtuką („bass up“), kad sustiprintumėte žemus dažnius. Mygtukas „Bass up“ liks įjungtas ir rodys, kad žemi dažniai yra sustiprinti.
- Dar kartą paspauskite žemų dažnių didinimo mygtuką, kad gražintumėte įprastą žemų dažnių lygį. Žemųjų dažnių didinimo mygtuko lemputė išsijungs.

I-1	Žemų dažnių didinimo mygtukas
-----	-------------------------------

## AUX VEIKIMO REŽIMAS (J pav.)

Atidarykite guminį dangtelį, įkiškite AUX kabelį (nepriedamas) į AUX prievadą ir įsitinkinkite, kad jis tinkamai prijungtas.

Prijunkite išorinį muzikos šaltinį (MP3 grotuvą ar pan.) prie kito AUX kabelio galo.

Įjunkite garsiakalbį ir paleiskite muziką.

Baigę leisti, atjunkite AUX kabelį.

**PASTABA:** Prijungtų prietaisų baterijų negalima įkrauti per AUX jungtį.

**PASTABA:** Išjungus garsiakalbį, prijungti įrenginiai neišjungiami.

J-1	AUX prievadas	J-2	USB-A išvesties prievadas
J-3	Guminis dangtelis	J-4	USB-C įvesties / išvesties prievadas

## USB MAITINIMO PRIEVADAI (J pav.)

Įdėjęs sudėtinę bateriją arba prijungus garsiakalbį prie kintamosios srovės adapterio ir įjungus garsiakalbį, USB-A išvesties prievadas ir USB-C įvesties / išvesties prievadas tiekis įkrovimo energiją mažai energijos naudojančioms prietaisams, pvz., mobiliams telefonams, MP3 grotuvams ir kt. Po įkrovimo nedelsdami atjunkite USB įrenginį.

**PASTABA:** USB-A išvesties prievado negalima naudoti garsui leisti. Leisti garsą galima tik per „Bluetooth“ arba AUX jungtį.

**PASTABA:** Po kiekvieno naudojimo visada uždarykite guminį dangtelį, kad apsaugotumėte prievadus nuo dulkių, purvo ir drėgmės.

## TECHNINĖ PRIEŽIŪRA

**⚠️ ĮSPĖJIMAS:** Vykdydami techninės priežiūros darbus, naudokite tik identiškas atsargines dalis. Naudojant bet kokias kitas dalis, gali kilti pavojus arba sugesti gaminys. Kad būtų užtikrintas saugumas ir patikimumas, visus remonto darbus turi atlikti kvalifikuotas techninės priežiūros specialistas.

**⚠️ ĮSPĖJIMAS:** Visada išimkite bateriją iš gaminio prieš jį valydami arba prieš vykdydami jo techninės priežiūros darbus, kad išvengtumėte pavojaus sunkiai susižaloti.

## BENDROJI PRIEŽIŪRA

Valydami plastikines dalis venkite naudoti tirpiklius. Įvairūs komerciniai tirpikliai gali pažeisti įvairių tipų plastiką ir jų naudoti nerekomenduojama. Purvą, dulkes, alyvą, tepalą ir pan. nuvalykite švaria šluoste.

**⚠️ ĮSPĖJIMAS:** Saugokite plastikines dalis, kad ant jų nepatektų stabdžių skysčiai, benzinas, naftos produktai, skvarbi alyva ir pan. Cheminės medžiagos plastiką gali sugadinti, susilpninti arba suardyti. Dėl to galite sunkiai susižaloti.

**⚠️ ĮSPĖJIMAS:** Kad sumažintumėte gaisro, sužalojimo ir gaminio sugadinimo dėl trumpojo jungimo pavojų, niekada nemerkite įrenginio, sudėtinės baterijos ar įkroviklio į skystį ir neleiskite skysčiui tekėti į jų vidų. Ėsdinantys arba laidūs skysčiai, pavyzdžiui, jūros vanduo, kai kurios pramoninės cheminės medžiagos, balikliai arba gaminiai su jais ir pan., gali sukelti trumpąjį jungimą.



**LAIKYMAS**

1. Išimkite iš garsiakalbio sudėtinę bateriją.
2. Nuo garsiakalbio nuvalykite visas pašalines medžiagas.
3. Laikykite garsiakalbį sausoje, gerai vėdinamoje ir vaikams neprieinamoje vietoje. Nelaikykite garsiakalbio ant trašų, benzino ar kitų cheminių medžiagų arba šalia jų.

**APLINKOS APSAUGA**

Neišmeskite elektros įrangos, panaudotų baterijų ir įkroviklio kartu su buitinėmis atliekomis! Šias atliekas reikia pristatyti į jų surinkimo vietą ar įgaliotam perdirbėjui. Elektrinius įrenginius reikia pristatyti į tokių atliekų perdirbimo įmonę.



## TRIKČIŲ ŠALINIMAS

PROBLEMA	PRIEŽASTIS	SPRENDIMAS
Garsiakalbis neveikia.	<ul style="list-style-type: none"><li>■ Sudėtinė baterija neprijungta prie garsiakalbio</li><li>■ Tarp garsiakalbio ir baterijos nėra elektros kontakto.</li><li>■ Sudėtinė baterija visiškai išsikrovusi.</li><li>■ Sudėtinė baterija pernelyg įkaitusi.</li></ul>	<ul style="list-style-type: none"><li>■ Įstatykite į garsiakalbį sudėtinę bateriją.</li><li>■ Išimkite sudėtinę bateriją, patikrinkite kontaktus ir vėl ją įstatykite.</li><li>■ Įkraukite sudėtinę bateriją.</li><li>■ Atvėsinkite sudėtinę bateriją, kad jos temperatūra nukristų žemiau 152°F (67°C).</li></ul>
Garsiakalbio negalima tinkamai susieti su „Bluetooth“ įrenginiu.	<ul style="list-style-type: none"><li>■ Nepasiekiamas „Bluetooth“ susiejimo diapazonas.</li></ul>	<ul style="list-style-type: none"><li>■ Perkelkite įrenginį arčiau garsiakalbio.</li></ul>

## GARANTIJA

### EGO GARANTIJOS TAISYKLĖS

Norėdami sužinoti visas EGO garantijos sąlygas ir nuostatas, apsilankykite interneto svetainėje adresu [egopowerplus.eu](http://egopowerplus.eu).

LT

## IZLASIET VISUS NORĀDĪJUMUS!



### IZLASIET LIETOTĀJA ROKASGRĀMATU

**▲ BRĪDINĀJUMS:** Lai garantētu drošu un uzticamu izstrādājuma darbību, visi remontdarbi jāveic kvalificētam servisa speciālistam.

## DROŠĪBAS APZĪMĒJUMI

Drošības apzīmējumi ir paredzēti, lai pievērstu jūsu uzmanību iespējamām apdraudējumiem. Pievērsiet uzmanību drošības apzīmējumiem un to skaidrojumiem un izprotiet tos. Brīdinājumu apzīmējumi paši par sevi nenovērš apdraudējumu. Tajos ietvertie norādījumi un brīdinājumi neaizstāj atbilstošu negadījumu novēršanas pasākumu īstenošanu.

**▲ BRĪDINĀJUMS:** Pirms šīs iekārtas lietošanas izlasiet un izprotiet visus šajā lietotāja rokasgrāmatā iekļautos drošības norādījumus, tostarp visus drošības brīdinājuma apzīmējumus, piemēram, "BĪSTAMI", "BRĪDINĀJUMS" un "UZMANĪBU". Visu turpmāk uzskaitīto norādījumu neievērošana var izraisīt elektriskās strāvas triecienu, aizdegšanos un/ vai smagus miesas bojājumus.

## DROŠĪBAS INSTRUKCIJA

Šajā lapaspusē ir parādīti un aprakstīti drošības apzīmējumi, kas var būt norādīti uz šī izstrādājuma. Pirms instrumenta salikšanas un lietošanas izlasiet, izprotiet un ievērojiet visus norādījumus par instrumentu.



Drošības brīdinājums



Lai mazinātu traumu gūšanas bīstamību, lietotājam jāizlasa lietotāja rokasgrāmata.



Bluetooth®



Elektrisko izstrādājumu atkritumus nedrīkst izmest kopā ar sadzīves atkritumiem. Nogādāt uz pilnvarotu pārstrādes punktu.



Šis izstrādājums atbilst piemērojamām EK direktīvām.



Apvienotās Karalistes atbilstības novērtējums



Līdzstrāva

W Vati

Hz Herci

m Mērtājs

V Spriegums

kg Kilograms

°C Celsijs

mm Milimētrs

LV

## VISPĀRĪGI DROŠĪBAS BRĪDINĀJUMI AT- TIECĪBĀ UZ MAŠĪNĀM

**▲ BRĪDINĀJUMS: IZLASIET VISUS ŠĪS MAŠĪNAS DOKUMENTĀCIJĀ NORĀDĪTOS DROŠĪBAS BRĪDINĀJUMUS, NORĀDĪJUMUS, SPECIFIKĀCIJAS UN APLŪKOJĒT ATTĒLUS.** Visu turpmāk uzskaitīto norādījumu neievērošana var izraisīt elektriskās strāvas triecienu, aizdegšanos un/vai smagus savainojumus.

## SAGLABĀJIET VISUS BRĪDINĀJUMUS UN INSTRUKCIJAS TURPMĀKAI ATSAUCEI.

### DROŠĪBA DARBA ZONĀ

- Uzturiet darba zonu tīru un labi apgaismotu. Nesakārtotā un slikti apgaismotā darba zonā var notikt nelaimes gadījumi.
- Turiet mašīnu aiz izolētām satvērējvirsmām, veicot darbības, kurās rakšanas piederums var saskarties ar slēptiem vadiem. Instrumenti var radīt dzirksteles, kas var aizdedzināt putekļus vai tvaikus.
- Neļaujiet bērniem un klātesošajiem atrasties instrumenta tuvumā, kamēr tas darbojas. Apjukuma brīdī jūs varat zaudēt vadību pār ierīci.

### ELEKTRODROŠĪBA

- Instrumenta kontaktdakšai ir jāatbilst kontaktlīdzdai. Nekad nekādā veidā nepārveidojiet kontaktdakšu. Neizmantojiet adaptera kontaktdakšas kopā ar iezemētiem instrumentiem. Lietojot nepārveidotas kontaktdakšas un atbilstošas kontaktlīdzdas, tiek samazināts elektriskās strāvas trieciena risks.
- Nepieskarieties saņemām virsmām, piemēram cauruļvadiem, radiatoriem, plītiem un ledusskapjiem. Ķermenim saņemējoties, tiek palielināts elektriskās strāvas trieciena risks.
- Nebojājiet strāvas vadu. Nekādā gadījumā nenesiet, nevelciet vai neatvienojiet instrumentu aiz strāvas vada. Sargājiet strāvas vadu no karstuma, eļļas, asām malām vai kustīgām daļām. Bojāti vai sapinušies strāvas vadi palielina elektriskās strāvas trieciena risku.
- Lietojot skaļruni ārpus telpām, izmantojiet pagarinātāju, kas piemērots lietošanai ārpus telpām. Āra darbiem paredzēta vada pagarinātāja izmantošana samazina elektriskās strāvas trieciena risku.
- Ja tomēr mašīnas darbināšana mitrā vidē ir neizbēgama, izmantojiet ar zemslēguma ķēžu pārtraucēju (GFCI) aizsargātu avotu. Izmantojot GFCI, tiek samazināts elektriskās strāvas trieciena risks.

### PERSONĪGĀ DROŠĪBA

- Izmantojot mašīnu, esiet modri, sekojiet līdzi savām darbībām un rīkojieties saprātīgi. Nelietojiet instrumentu, ja esat noguruši vai atrodaties apreibinošu vielu, alkohola vai medikamentu ietekmē. Brīdis neuzmanības, darbojoties ar instrumentiem, var izraisīt smagus savainojumus.

### INSTRUMENTA IZMANTOŠANA UN KOPŠANA

- Rokturiem un satvēršanas daļām jābūt sausām, tīrām un uz tām nedrīkst būt eļļa vai smērviela. Ja rokturi un satvēršanas daļas ir mitras, tās novērsīs drošu mašīnas vadāmību un kontroli neparedzētās situācijās.

### AR AKUMULATORU DARBINĀMA INSTRUMENTA LIETOŠANA UN KOPŠANA

- Uzlādējiet instrumentu tikai ar ražotāja noteikto lādētāju. Lādētājs, kas paredzēts lietošanai tikai ar viena veida akumulatoru komplektu, var radīt aizdegšanās draudus, ja to izmanto kopā ar citu akumulatoru komplektu.
- Lietojiet instrumentus kopā tikai ar tiem paredzētiem akumulatoriem. Jebkura cita akumulatoru komplekta lietošana var radīt traumu gūšanas un aizdegšanās risku.
- Kad akumulatoru komplekts netiek izmantots, neglabājiet to citu metāla priekšmetu, piemēram, papīra saspaužu, monētu, atslēgu, naglu, skrūvju vai citu sīku metāla priekšmetu, kas var veidot savienojumu starp spailēm, tuvumā. Akumulatora spaiļu īsslēgums var izraisīt aizdegšanos vai ugunsgrēku.
- Nepareizas rīcības gadījumā no akumulatora var izteciēt šķidrums; izvairieties no saskares ar to. Ja tas nejauši nokļuvis uz ādas, noskalojiet ar ūdeni. Ja šķidrums iekļuvis acīs, nekavējoties meklējiet medicīnisko palīdzību. No akumulatora izkļuvušais šķidrums var izraisīt kairinājumu vai apdegumus.
- Nelietojiet bojātu vai pārveidotu akumulatoru komplektu vai ierīci. Bojātu vai pārveidotu akumulatoru izmantošana var izraisīt neparedzamus apstākļus, kas rada aizdegšanās, sprādziena vai traumas gūšanas draudus.
- Nepakļaujiet akumulatoru vai mašīnu uguns liesmu vai pārmērīgas temperatūras iedarbībai. Uguns liesmu iedarbība vai temperatūra virs 130 °C var izraisīt sprādzienu.
- Izpildiet visas uzlādēšanas instrukcijas un neuzlādējiet akumulatoru vai mašīnu ārpus instrukcijās norādītajām temperatūras vērtībām.

Ja iekārta tiek uzlādēta nepareizi vai tiek pārsniegtas instrukcijās norādītās uzlādēšanas temperatūras vērtības, akumulators var sabojāties un palielināt aizdegšanās risku.

## SERVIS

- Jūsu instrumenta remontu drīkst veikt tikai kvalificēts speciālists, kas izmanto tikai identiskas rezerves daļas. Tādējādi tiek saglabāta instrumenta ekspluatācijas drošība.
- Nekad neveiciet bojātam akumulatoru komplektam remontdarbus pašrocīgi. Bojāta akumulatoru komplekta remontdarbus drīkst veikt tikai ražotājs vai pilnvaroti servisa darbinieki.

## DROŠĪBAS BRĪDINĀJUMI ĀRA BEZVADU BLUETOOTH SKAĻRUNIM

- Lai samazinātu ugunsgrēka vai elektriskās strāvas trieciena risku, nepakļaujiet šo ierīci lietus vai mitruma iedarbībai. Izmantojiet tikai sausā vietā.
- Lietojiet šo ierīci tikai labi vēdināmā vietā.
- Izlasiet šīs instrukcijas.
- Ievērojiet visus brīdinājumus.
- Izpildiet visas instrukcijas.
- Neizmantojiet šo ierīci ūdens tuvumā.
- Tīriet tikai ar sausu drānu.
- Neaizsedziet ventilācijas atveres. Uzstādiet saskaņā ar ražotāja instrukcijām.
- Neuzstādiet tuvu siltuma avotiem, piemēram, radiatoriem, siltuma reģistratoriem, plītim vai citām ierīcēm (ieskaitot pastiprinātājus), kas rada siltumu.
- Izmantojiet tikai ražotāja norādītos piederumus/aksesuārus.
- Izmantojiet kopā tikai ar ratiņiem, statīvu, trijkāju statīvu, kronšteinu vai galdu, ko norādījis ražotājs vai ko pārdod kopā ar šo ierīci. Ja tiek izmantoti ratiņi, tad, pārvietojot ratiņus kopā ar ierīci, rīkojieties piesardzīgi, lai izvairītos no traumu gūšanas apgāšanās gadījumā.
- Visus apkopes darbus uzticiet kvalificētam servisa personālam. Apkope ir nepieciešama, ja ierīce ir jebkādā veidā bojāta, piemēram, ir bojāts strāvas vads vai kontaktdakša, uz ierīces ir izlijis šķidrums vai tajā iekrituši priekšmeti, ierīce ir bijusi pakļauta lietus vai mitruma iedarbībai, nedarbojas normāli, vai tika nomesta zemē. Remontdarbi vai apkopes darbi, ko veic nekvalificēts darbinieks, var radīt savainojuma risku.
- Ar akumulatoru darbināmu ierīci, kurai ir iebūvēti akumulatori vai atsevišķs akumulatoru komplekts, drīkst uzlādēt tikai ar šim akumulatoram paredzēto lādētāju. Lādētājs, kas paredzēts lietošanai tikai ar viena veida akumulatoru, var izraisīt ugunsgrēku, ja to izmanto ar citu akumulatoru.
- Nekad neizjauciet ierīci un nemēģiniet veikt vēlreiz uzstādīt ierīces elektriskās sistēmas vadus.
- Uzturiet ierīci darba kārtībā. Pārbaudiet, vai ierīcei nav kādas novirzes, daļas nav salauzta un citi apstākļi, kas var ietekmēt ierīces darbību. Ja ierīce ir bojāta pirms lietošanas nogādājiet to salabot. Lietojiet ierīci, tās piederumus utt. atbilstoši šīm instrukcijām, ņemot vērā darba apstākļus un veicamo uzdevumu. Ierīces lietošana neparedzētiem mērķiem var radīt bīstamu situāciju.
- Turiet ierīci tālāk no citiem metāla priekšmetiem, piemēram, papīra saspaudēm, monētām, atslēgām, naglām, skrūvēm vai citiem sīkiem metāla priekšmetiem, kas var izveidot savienojumu no viena termināla uz otru. Spaiļu īsslēgums var izraisīt aizdegšanos vai ugunsgrēku.
- Neizmantojiet ierīci, ja tā nokrita zemē vai uz tās tika izdarīts ass trieciens. Bojāta ierīce palielina aizdegšanās risku.
- Nekavējoties atbrīvojieties no izlietotā akumulatora. Sargājiet no bērniem. Neizjauciet un nemetiet uguni.
- Izmantojiet tikai ar norādītajiem akumulatoru komplektiem un lādētājiem.

**Saglabājiet šo norādījumus.** Izlasiet un izmantojiet šo instrukciju, lai sniegtu norādījumus citiem, kas izmanto šo iekārtu. Ja jūs šo mašīnu aizdodat kādai citai personai, aizdodiet arī šo rokasgrāmatu, lai nepieļautu, ka produkts tiek lietots nepareizi, kā arī lai izvairītos no iespējamām traumām.

## SPECIFIKĀCIJAS

Spriegums	56 V
Spriegums maiņstrāvas adapterim	100-240 V~ , 50/60 Hz
Izejas jauda	180 W
Pastiprinātāja jaudas izeja	Zemfrekvences skaļrunis: 80W x1
	Augstfrekvences skaļrunis: 10W x 2
	Vidējā diapazona skaļrunis: 40W x 2
AUX ligzda	3,5 mm
USB A tipa izeja	5 V, 2 A
USB C tipa ieeja/izeja	DC5V 3A / DC9V 3A / DC12V 3A / DC15V 3A / DC20V 5A
Bluetooth® diapazons	> 55 m
Svars (bez akumulatoru komplekta)	7,7 kg
Ieteicamā darba temperatūra	-15 °C līdz 40 °C
Ieteicamā uzglabāšanas temperatūra	-20 °C līdz 70 °C
Aizsardzības klase pret ūdens iekļūšanu korpusā	IP54* (Aizsardzība pret putekļiem un ūdens šļakatām)

\* **PIEZĪME!** IP54 novērtējums ir balstīts uz aparātu.

## IEPAKOJUMA SATURA SARAKSTS (A1 ATT.)

LV

### APRAKSTS

#### ĀRA BEZVADU BLUETOOTH SKAĻRUŅA

#### PĀRSKATS

(A1 att.)

1. Rokturis
2. Vadības panelis
3. Akumulatora atbrīvošanas poga
4. Elpojoša gaisma
5. Gumijas aizsargvāciņi
6. AUX ligzda
7. USB A tipa izejas ligzda
8. USB C tipa ieejas/izejas ligzda
9. Uzlādes indikators
10. Ieslēgšanas/izslēgšanas poga

11. Bluetooth poga
12. Sasaistes poga
13. Skaļuma samazināšanas poga
14. Skaļuma palielināšanas poga
15. Atskaņošanas/pauzēšanas poga
16. Basu paaugstināšanas poga

## DARBĪBA

### LIETOJUMS

Šo izstrādājumu var lietot tālāk norādītajiem mērķiem:

- Audio atskaņošana no ierīcēm, kas pievienotas bezvadu režīmā vai ar AUX kabeli.

### AKUMULATORU KOMPLEKTA IEVIETOŠANA / IZŅEMŠANA

Izmantojiet kopā tikai ar A2 attēlā norādītajiem EGO akumulatoru komplektiem un lādētājiem.

Sīkāku informāciju izlasiet attiecīgā akumulatoru komplekta un lādētāju rokasgrāmatā.

### Pirms pirmās lietošanas reizes akumulators ir pilnībā jāuzlādē.

**PIEZĪME!** Par zemu akumulatora uzlādes līmeni atgādinās skaņas signāls.

### Piestiprināšana

Salāgojiet akumulatora izcilņus ar stiprinājuma rievām un iespiediet akumulatoru komplektu, līdz ir dzirdama "klikšķa" skaņa (B1 att.).

### Izņemšana

Nospiediet akumulatora atbrīvošanas pogu un izņemiet akumulatoru komplektu (B2 att.).

**⚠ BRĪDINĀJUMS:** Vienmēr pārbaudiet, kāds ir pamats zem kājām un vai tuvumā neatrodas bērni vai dzīvnieki, kad nospiežat akumulatora atbrīvošanas pogu. Zemē nokritis akumulators var izraisīt smagas traumas. NEKAD neizņemiet akumulatoru, kamēr atrodieties augstumā.

B1-1	Stiprinājuma rieva	B1-2	Izcilnis
B1-3	Akumulatora atbrīvošanas poga		

### MAIŅSTRĀVAS ADAPTERA IZMANTOŠANA (NAV IEKĻAUTS KOMPLEKTĀCIJĀ)

Maiņstrāvas adapteris nav iekļauts piegādes komplektācijā. Kā strāvas adapteri var izmantot gan adapteri, gan arī

uzlādes kabeli, kas atbilst PD protokolam un kuru jauda pārsniedz 60 W.

**PIEZĪME!** Izmantojot tikai maiņstrāvas adapteri, var tikt ietekmēta skaņas kvalitāte un mūzikas skaļums.

Atveriet gumijas aizsargvāciņu un ievietojiet maiņstrāvas adaptera kontaktdakšu USB C tipa ieejas/izejas ligzdā, kas atrodas skaļruņa aizmugurē. Iespraudiet adapteri standarta tīkla kontaktligzdā (C1 att.).

Ikreiz, kad tiek pievienots adapteris, ievietotais akumulators tiek automātiski uzlādēts. Mazā punktveida lampiņa virs uzlādes indikatora simbola mirgo baltā krāsā. Kad akumulators ir pilnībā uzlādēts, mazā punktveida lampiņa deg nepārtraukti baltā krāsā. Ja mazā punktveida lampiņa nepārtraukti deg sarkanā krāsā, tas nozīmē, ka akumulators ir bojāts (C2 att.).

Kad maiņstrāvas adapteris netiek izmantots, atvienojiet to no strāvas kontaktligzdas.

**PIEZĪME!** USB ierīces, piemēram, mobilos tālrunus, MP3 atskaņotājus utt., kas pievienotas USB A tipa izejas ligzdas, var uzlādēt ar pievienotu maiņstrāvas strāvas vadu.

**PIEZĪME!** Pēc katras lietošanas reizes vienmēr aizveriet gumijas aizsargvāciņu, lai pasargātu ligzdas no putekļiem, netīrumiem un mitruma.

C1-1	Maiņstrāvas adapteris	C1-2	USB C tipa ieejas/izejas ligzda
C1-3	Gumijas aizsargvāciņi	C2-1	Mazais punktiņš
C2-2	Uzlādes indikators		

### SKAĻRUŅA IESLĒGŠANA UN IZSLĒGŠANA (D att.)

Īsi nospiediet IESLĒGŠANAS/IZSLĒGŠANAS pogu, un skaļrunis ieslēgsies; IESLĒGŠANAS/IZSLĒGŠANAS pogas indikators paliks izgaismots, un skaņas signāls paziņos par izveidotu savienojumu.

Lai izslēgtu skaļruni, īsi nospiediet IESLĒGŠANAS/IZSLĒGŠANAS pogu. Par atvienošanu paziņos skaņas signāls.

**PIEZĪME!** Skaļrunis automātiski izslēdzas pēc 20 minūtēm, ja netiek atskaņota mūzika vai ja netiek izmantota USB A tipa vai USB C tipa ligzda.

D-1	Ieslēgšanas/izslēgšanas poga
-----	------------------------------

### BLUETOOTH® DARBĪBAS REŽĪMS (E att.)

Pēc skaļruņa ieslēgšanas automātiski ieslēgsies Bluetooth® savienojums, ko norāda balta mirgojoša Bluetooth® poga.

- Aktivizējiet savienojamās ierīces Bluetooth® funkciju (mobilais tālrunis vai līdzīga ierīce) un kā Bluetooth® savienojuma mērķi atlasiet "EGO SK1800E".
- Pēc tam, kad ierīce ir veiksmīgi savienota, atskanēs skaņa un Bluetooth® poga paliks izgaismota.

**PIEZĪME!** Ja skaļrunis bija iepriekš savienots ar vajadzīgo ierīci, tad pēc atkārtotas ieslēgšanas tas automātiski atjaunos savienojumu ar to pašu ierīci.

**PIEZĪME!** Ja skaļrunī pēkšņi pazūd skaņa vai tiek atskaņota cita multivides skaņa, tas nozīmē, ka otra pieslēgtā ierīce ir pārņēmusi skaļruņa vadību un ir parādījusies klusā reklāma vai tiek atskaņota dziesma.

Bluetooth® savienošanas režīms būs aktīvs tikai 3 minūtes un, ja neviena ierīce nebūs savienota, tas automātiski izslēgsies.

Īsi nospiediet Bluetooth® pogu, un sāks mirgot Bluetooth® poga, norādot, ka var pieslēgt ierīci.

Vienlaikus ar skaļruni var savienot divas ierīces, izmantojot Bluetooth®.

- Pēc pirmās ierīces savienošanas nospiediet Bluetooth® pogu, līdz tā sāk mirgot.
- Kad Bluetooth® poga sāk mirgot, otrajā ierīcē atlasiet "EGO SK1800E" un pievienojiet to skaļrunim. Pēc veiksmīga savienojuma izveides atskanēs balss paziņojums, ka otra ierīce ir savienota.

**PIEZĪME!** Ja rodas problēmas ar atskaņošanu, restartējiet skaļruni.

**Lai atvienotu Bluetooth® ierīci:** Nospiediet un turiet Bluetooth® pogu ilgāk par 2 sekundēm vai atvienojiet ierīces skaļruni.

E-1	Bluetooth® poga
-----	-----------------

### VAIRĀKU SK1800E IERĪČU SAVIENOŠANA, IZMANTOJOT SASAISTI (F1, F2 att.)

Izmantojot sasaisti, var savienot līdz 100 SK1800E skaļruņiem.

Ieslēdziet skaļruņus un pārliecinieties, ka viens no skaļruņiem ir savienots ar ierīci, izmantojot Bluetooth.

Ierīcei pievienotais skaļrunis darbojas kā "resursierīce" un var kontrolēt atskaņošanu (skaļums, atskaņošana/pauze utt.).

**PIEZĪME!** Tiklīdz skaļums ir noregulēts "resursierīcē", citi pievienotie skaļruņi nekavējoties pielāgojas "resursierīces" skaļuma līmenim.

Nospiediet un turiet sasaistes pogu ilgāk par 2 sekundēm uz "resursierīces" un sekundārā skaļruņa. Kad savienotais skaļrunis atskaņo "resursierīces" mūziku, tas nozīmē, ka abi skaļruņi ir automātiski savstarpēji savienoti.

**PIEZĪME!** Ja vēlāk vēlaties pieslēgt trešo, ceturto vai deviņdesmit deviņo skaļruni, papildu skaļrunim(-iem) nospiediet un turiet sasaistes pogu LINK ilgāk par 2 sekundēm.

Attālums starp abiem savienotajiem skaļruņiem nedrīkst pārsniegt 40 metrus atklātā laukā.

Nospiediet un turiet sasaistes pogu ilgāk par 2 sekundēm uz "resursierīces" vai uz Tšu brīdī izslēdziet citus skaļruņus, lai atvienotu LINK sistēmu.

Ar sasaistes pogu var ne tikai savienot vairākus skaļruņus, bet arī vadīt elpojošo gaismu. Nospiediet pogu LINK, lai ieslēgtu vai izslēgtu elpojošo gaismu. Ja netiek atskaņota mūzika, elpojošā gaisma pakāpeniski nodzīsis, un pēc tam pilnībā izslēgsies, tad pakāpeniski atjaunosies līdz maksimālajam spilgtumam.

F1-1	Sasaistes poga	F2-1	Elpojoša gaisma
------	----------------	------	-----------------

## SKAĻUMA NOREGULĒŠANA (G att.)

Skaļrunim ir 16 skaļuma līmeņi.

- Lai samazinātu skaļumu par vienu līmeni, vienu reizi nospiediet pogu "-".
- Nospiediet un turiet pogu "-", lai pakāpeniski samazinātu skaļumu. Kad ir sasniegts vēlamais skaļuma līmenis, varat atlaist pogu "-".
- Lai palielinātu skaļumu par vienu līmeni, vienu reizi nospiediet pogu "+".
- Nospiediet un turiet pogu "+", lai pakāpeniski palielinātu skaļumu. Kad ir sasniegts vēlamais skaļuma līmenis, varat atlaist pogu "+".

Ar skaļuma regulēšanas funkciju var ne tikai pielāgot skaļruņa skaļumu, bet arī ierīces skaļumu.

**PIEZĪME!** Kad noregulēts maksimālais skaļums, ar skaņas signālu tiks paziņots, ka ir sasniegts maksimālais skaļuma līmenis.

G-1	Skaļuma samazināšanas un palielināšanas poga
-----	--

## ATSKAŅOŠANA/PAUZĒŠANA (H att.)

Lai sāktu vai apturētu mūzikas atskaņošanu, nospiediet atskaņošanas/pauzēšanas pogu.

Divreiz ātri nospiediet atskaņošanas/pauzēšanas pogu, lai pārslēgtu nākamo dziesmu/failu.

H-1	Atskaņošanas/pauzēšanas poga
-----	------------------------------

## BASU PALIELINĀŠANA (I att.)

- Nospiediet basu palielināšanas pogu, lai pastiprinātu basus. Basu palielināšanas poga paliks izgaismota, lai norādītu, ka basi ir pastiprināti.
- Vēlreiz nospiediet basu palielināšanas pogu, lai basi atkal skanētu normālā līmenī. Izslēgsies basu ieslēgšanas pogas indikators.

I-1	Basu paaugstināšanas poga
-----	---------------------------

## AUX DARBĪBAS REŽĪMS (J att.)

Atveriet gumijas aizsargvāciņu, ievietojiet AUX kabeli (nav iekļauts komplektācijā) AUX ligzdā un pārliedcinieties, ka tas ir pareizi pievienots.

Savienojiet ārējo mūzikas avotu (MP3 atskaņotāju vai līdzīgu ierīci) ar otru AUX kabeļa galu.

Ieslēdziet skaļruni un sāciet atskaņošanu.

Pēc atskaņošanas beigām atvienojiet AUX kabeli.

**PIEZĪME!** Pievienoto ierīču baterijas nevar uzlādēt, izmantojot AUX savienojumu.

**PIEZĪME!** Pēc skaļruņa izslēgšanas savienotā ierīce netiek automātiski izslēgta.

J-1	AUX ligzda	J-2	USB A tipa izejas ligzda
J-3	Gumijas aizsargvāciņi	J-4	USB C tipa ieejas/izejas ligzda

## USB BAROŠANAS LIGZDAS (J att.)

Kad ir ievietots akumulators vai skaļrunis ir pievienots maiņstrāvas adapterim un skaļrunis ir ieslēgts, USB A tipa izejas ligzda un USB C tipa ieejas/izejas ligzda nodrošinās uzlādes jaudu mazjaudas ierīcēm, piemēram, mobilajiem tālruniem, MP3 atskaņotājiem utt. Pēc uzlādes nekavējoties atvienojiet USB ierīci.

**PIEZĪME!** USB A tipa izejas ligzdu nevar izmantot audio atskaņošanai. Audio atskaņošana ir iespējama tikai ar Bluetooth vai AUX savienojumu.

**PIEZĪME!** Pēc katras lietošanas reizes vienmēr aizveriet gumijas aizsargvāciņu, lai pasargātu ligzdas no putekļiem, netīrumiem un mitruma.



## APKOPE

**⚠ BRĪDINĀJUMS:** Veicot ierīces apkopi, izmantojiet tikai identiskas rezerves daļas. Jebkuru citu daļu izmantošana var radīt apdraudējumu vai izstrādājuma bojājumus. Lai garantētu drošu un uzticamu izstrādājuma darbību, visi remontdarbi jāveic kvalificētam servisa speciālistam.

**⚠ BRĪDINĀJUMS:** Lai izvairītos no nopietnu traumu gūšanas, vienmēr pirms tīrīšanas vai apkopes darbu veikšanas izņemiet no izstrādājuma akumulatoru komplektu.

### VISPĀRĒJĀ APKOPE

Plastmasas detaļu tīrīšanai neizmantojiet šķīdinātājus. Vairums plastmasu ir uzņēmīgas pret dažāda veida komerciālu šķīdinātāju radītiem bojājumiem un, tos izmantojot, var tikt sabojātas. Lai noīrītu netīrumus, putekļus, eļļu, smērvielas u.c., izmantojiet tīras lupatīņas.

**⚠ BRĪDINĀJUMS:** Plastmasas daļas nekādā gadījumā nedrīkst saskarties ar bremžu šķidrumu, degvielu, naftas produktiem, iesūcošos eļļu un tamlīdzīgi. Ķīmiskās vielas var radīt bojājumus, kā arī mazināt plastmasas daļas izturību vai iznīcināt tās, radot smagus miesas bojājumus.

**⚠ BRĪDINĀJUMS:** Lai samazinātu īssavienojuma rašanās risku, kas izraisa ugunsgrēka, miesas bojājumu un iekārtas bojājumu draudus, nekad neiegremdējiet iekārtu, akumulatoru komplektu vai lādētāju šķidrumā un neļaujiet šķidrumam tajos iekļūt. Īssavienojumu var izraisīt korozīvi vai vadītspējīgi šķidrumi, piemēram, jūras ūdens, noteiktas rūpnieciskās ķīmikālijas un balinātāji vai balinātājus saturoši produkti utt.

### UZGLABĀŠANA

1. Izņemiet akumulatoru komplektu no skaļruņa.
2. Izfīriet visus svešķermeņus no skaļruņa.
3. Uzglabājiet skaļruni sausā, labi vēdināmā, aizslēdzamā vai augstā — bērniem nepieejamā — vietā. Neuzglabājiet skaļruni blakus mēslojumam, benzīnam vai citām ķīmikālijām.

### APKĀRTĒJĀS VIDES AIZSARDZĪBA



Neutilizējiet elektrisko aprīkojumu, izlietoto akumulatoru un lādētāju sadzīves atkritumos! Nogādājiet šo izstrādājumu uz pilnvarotu pārstrādes punktu un sagatavojiet atkritumu šķirošanai. Elektriskie instrumenti jānogādā videi nekaitīgā pārstrādes rūpnīcā.

**PROBLĒMU MEKLĒŠANA UN NOVĒRŠANA**

PROBLĒMA	CĒLONIS	RISINĀJUMS
Skāļrunis nedarbojas.	<ul style="list-style-type: none"><li>■ Akumulatoru komplekts nav savienots ar skāļruni.</li><li>■ Starp skāļruni un akumulatoru komplektu nav elektriskā kontakta.</li><li>■ Akumulatoru komplekts ir izlādējies.</li><li>■ Akumulatoru komplekts ir pārāk karsts.</li></ul>	<ul style="list-style-type: none"><li>■ Pievienojiet akumulatoru komplektu skāļrunim.</li><li>■ Izņemiet akumulatoru komplektu, pārbaudiet kontaktus un ievietojiet akumulatoru komplektu atpakaļ.</li><li>■ Uzlādējiet akumulatoru komplektu.</li><li>■ Atdzesējiet akumulatoru komplektu, līdz temperatūra pazeminās zem 67 °C.</li></ul>
Skāļruni nevar pareizi savienot ar Bluetooth ierīci.	<ul style="list-style-type: none"><li>■ Ārpus Bluetooth savienošanas pārī diapazona.</li></ul>	<ul style="list-style-type: none"><li>■ Novietojiet ierīci tuvāk skāļrunim.</li></ul>

**GARANTIJA****EGO GARANTIJAS POLITIKA**

Lūdzam apmeklēt tīmekļa vietni [egopowerplus.eu](http://egopowerplus.eu), kur pieejama pilna EGO garantijas politikas noteikumu un nosacījumu versija.

## ΔΙΑΒΑΣΤΕ ΟΛΕΣ ΤΙΣ ΟΔΗΓΙΕΣ!



### ΔΙΑΒΑΣΤΕ ΤΟ ΕΓΧΕΙΡΙΔΙΟ ΧΡΗΣΗΣ

**⚠️ ΠΡΟΕΙΔΟΠΟΙΗΣΗ:** Προκειμένου να διασφαλιστεί η ασφάλεια και η αξιοπιστία, όλες οι επισκευές πρέπει να διενεργούνται από εξειδικευμένο τεχνικό του σέρβις.

## ΣΥΜΒΟΛΑ ΑΣΦΑΛΕΙΑΣ

Ο σκοπός των συμβόλων ασφαλείας είναι να σας επιστήσουν την προσοχή σε ενδεχόμενους κινδύνους. Λαμβάνετε υπόψη και εξοικειωθείτε με τα σύμβολα ασφαλείας και τις επεξηγήσεις που τα συνοδεύουν. Τα σύμβολα προειδοποίησης από μόνα τους δεν εξαλείφουν κανέναν κίνδυνο. Οι οδηγίες και οι προειδοποιήσεις που παρέχουν δεν υποκαθιστούν τα ενδεικμένα μέτρα πρόληψης ατυχημάτων.

**⚠️ ΠΡΟΕΙΔΟΠΟΙΗΣΗ:** Βεβαιωθείτε ότι έχετε διαβάσει και κατανοήσει όλες τις οδηγίες ασφαλείας στο παρόν εγχειρίδιο χρήσης, συμπεριλαμβανομένων όλων των συμβόλων ασφαλείας, όπως «**ΚΙΝΔΥΝΟΣ**», «**ΠΡΟΕΙΔΟΠΟΙΗΣΗ**» και «**ΠΡΟΣΟΧΗ**», προτού να χρησιμοποιήσετε αυτό το μηχάνημα. Η μη τήρηση όλων των παρακάτω οδηγιών μπορεί να οδηγήσει σε ηλεκτροπληξία, πυρκαγιά και/ή σοβαρό τραυματισμό.

## ΟΔΗΓΙΕΣ ΑΣΦΑΛΕΙΑΣ

Αυτή η σελίδα απεικονίζει και περιγράφει τα σύμβολα ασφαλείας που μπορεί να υπάρχουν επάνω στο προϊόν. Διαβάζετε, κατανοείτε και τηρείτε όλες τις οδηγίες στη μηχανή, προτού προσπαθήσετε να εκτελέσετε εργασίες συναρμολόγησης και λειτουργίας.



Προειδοποίηση ασφαλείας



Bluetooth®



Αυτό το προϊόν συμμορφώνεται με τις εφαρμοστέες οδηγίες της ΕΚ.



Συνεχές ρεύμα

Hz Χέρτζ

V Τάση

°C Βαθμοί Κελσίου



Προκειμένου να μειωθεί ο κίνδυνος τραυματισμού, ο χρήστης πρέπει να διαβάσει το εγχειρίδιο χρήσης.



Τα απόβλητα ειδών ηλεκτρικού και ηλεκτρονικού εξοπλισμού δεν πρέπει να απορρίπτονται στα οικιακά απορρίμματα. Παραδώστε το σε εξουσιοδοτημένη μονάδα ανακύκλωσης.



Αξιολογήθηκε η συμμόρφωση HB

W Βατ

m Μετρητής

kg Κιλό

mm Χιλιοστό

GR

## ΓΕΝΙΚΕΣ ΠΡΟΕΙΔΟΠΟΙΗΣΕΙΣ ΑΣΦΑΛΕΙΑΣ ΓΙΑ ΜΗΧΑΝΕΣ

**⚠️ ΠΡΟΕΙΔΟΠΟΙΗΣΗ: ΔΙΑΒΑΣΤΕ ΟΛΕΣ ΤΙΣ ΠΡΟΕΙΔΟΠΟΙΗΣΕΙΣ ΑΣΦΑΛΕΙΑΣ, ΤΙΣ ΟΔΗΓΙΕΣ, ΤΙΣ ΑΠΕΙΚΟΝΙΣΕΙΣ ΚΑΙ ΤΙΣ ΠΡΟΔΙΑΓΡΑΦΕΣ ΠΟΥ ΠΑΡΕΧΟΝΤΑΙ ΜΑΖΙ ΜΕ ΑΥΤΟ ΤΟ ΜΗΧΑΝΗΜΑ.** Εάν δεν τηρηθούν όλες οι οδηγίες που αναφέρονται παρακάτω, μπορεί να προκληθεί ηλεκτροπληξία, πυρκαγιά και/ή σοβαρός τραυματισμός.

## ΦΥΛΑΞΤΕ ΟΛΕΣ ΤΙΣ ΠΡΟΕΙΔΟΠΟΙΗΣΕΙΣ ΚΑΙ ΤΙΣ ΟΔΗΓΙΕΣ ΓΙΑ ΜΕΛΛΟΝΤΙΚΗ ΑΝΑΦΟΡΑ.

### ΑΣΦΑΛΕΙΑ ΣΤΟ ΧΩΡΟ ΕΡΓΑΣΙΑΣ

- Διατηρείτε το χώρο εργασίας καθαρό και καλά φωτισμένο. Οι ακατάστατοι χώροι και οι χώροι με κακό φωτισμό ενισχύουν την πιθανότητα ατυχημάτων.
- Μη θέτετε σε λειτουργία μηχανήματα σε εκρηκτικές ατμόσφαιρες όπως σε παρουσία εύφλεκτων υγρών, βενζίνης ή σκόνης. Οι μηχανές δημιουργούν σπινθήρες που μπορεί να αναφλέξουν σκόνη ή αναθυμιάσεις.
- Διατηρείτε τα παιδιά και τους παρευρισκόμενους μακριά, όταν χρησιμοποιείτε τη μηχανή. Εάν κάτι αποσπάσει την προσοχή σας, μπορεί να χάσετε τον έλεγχο.

### ΗΛΕΚΤΡΙΚΗ ΑΣΦΑΛΕΙΑ

- Το φως της μηχανής πρέπει να ταιριάζει στην πρίζα. Μην τροποποιήσετε ποτέ και με κανέναν τρόπο το φως. Μην χρησιμοποιείτε κανενός είδους προσαρμογείς πριζών με γειωμένες μηχανές. Τα μη τροποποιημένα φως και οι κατάλληλες πρίζες μειώνουν τον κίνδυνο ηλεκτροπληξίας.
- Αποφεύγετε την επαφή με γειωμένες επιφάνειες, όπως σωλήνες, θερμαντικά σώματα, εστίες και ψυγεία. Υπάρχει αυξημένος κίνδυνος ηλεκτροπληξίας όταν το σώμα σας είναι γειωμένο.
- Μην κακομεταχειρίζεστε το καλώδιο. Μην χρησιμοποιείτε ποτέ το καλώδιο για να μεταφέρετε, να τραβήξετε ή να αποσυνδέσετε τη μηχανή από την πρίζα. Διατηρείτε το καλώδιο μακριά από θερμότητα, λάδια, αιχμηρές γωνίες ή κινούμενα εξαρτήματα. Τα κατεστραμμένα ή μπλεγμένα καλώδια αυξάνουν τον κίνδυνο ηλεκτροπληξίας.
- Όταν χρησιμοποιείτε ένα ηχείο σε εξωτερικό χώρο, χρησιμοποιείτε καλώδιο προέκτασης κατάλληλο για χρήση σε εξωτερικούς χώρους. Τα καλώδια που είναι κατάλληλα για εξωτερικούς χώρους περιορίζουν τον κίνδυνο ηλεκτροπληξίας.

- Εφόσον δεν μπορείτε να αποφύγετε τη χρήση της μηχανής σε περιοχή με υγρασία, χρησιμοποιείτε τροφοδοσία με διακόπτη κυκλώματος βλάβης γείωσης. Η χρήση ενός διακόπτη κυκλώματος βλάβης γείωσης περιορίζει τον κίνδυνο ηλεκτροπληξίας.

### ΠΡΟΣΩΠΙΚΗ ΑΣΦΑΛΕΙΑ

- Να βρίσκεστε πάντα σε εγρήγορση, να προσέχετε τι κάνετε και να εφαρμόζετε κοινή λογική όταν χρησιμοποιείτε ένα μηχάνημα. Μην χρησιμοποιείτε καμία μηχανή όταν είστε κουρασμένοι ή υπό την επήρεια ναρκωτικών, αλκοόλ ή φαρμάκων. Μια στιγμή απροσεξίας κατά τη χρήση μηχανής μπορεί να οδηγήσει σε σοβαρό τραυματισμό.

### ΧΡΗΣΗ ΚΑΙ ΦΡΟΝΤΙΔΑ ΜΗΧΑΝΗΣ

- Διατηρείτε τις λαβές και τις επιφάνειες συγκράτησης στεγνές και καθαρές, χωρίς λάδια και γράσα. Εάν οι λαβές και οι επιφάνειες συγκράτησης είναι ολισθηρές δεν θα μπορέσετε να χειριστείτε με ασφάλεια τη μηχανή, ούτε θα μπορέσετε να την ελέγξετε σε περίπτωση που προκύψει κάποια απροσδόκητη κατάσταση.

### ΧΡΗΣΗ ΚΑΙ ΦΡΟΝΤΙΔΑ ΜΗΧΑΝΗΣ ΜΠΑΤΑΡΙΑΣ

- Επαναφορτίζετε το ηλεκτρικό εργαλείο μόνο με το φορτιστή που έχει καθορίσει ο κατασκευαστής. Οι φορτιστές που είναι κατάλληλοι για έναν συγκεκριμένο τύπο συστοιχίας μπαταριών μπορεί να προκαλέσουν πυρκαγιά εάν χρησιμοποιηθούν για κάποιον άλλον τύπο.
- Χρησιμοποιείτε το μηχάνημα μόνο με τις συστοιχίες μπαταριών που προορίζονται ειδικά για αυτό. Εάν χρησιμοποιηθεί οποιαδήποτε άλλη συστοιχία μπαταριών, μπορεί να προκληθεί τραυματισμός και πυρκαγιά.
- Όταν η συστοιχία μπαταριών δεν χρησιμοποιείται, φυλάσσετε την μακριά από μεταλλικά αντικείμενα, όπως συνδετήρες, κέρματα, κλειδιά, καρφιά, βίδες ή άλλα μικρά μεταλλικά αντικείμενα, τα οποία μπορεί να δημιουργήσουν σύνδεση μεταξύ των ακροδεκτών. Το βραχυκύκλωμα των ακροδεκτών της συστοιχίας μπαταριών μπορεί να προκαλέσει εγκαύματα ή πυρκαγιά.
- Σε συνθήκες κακής χρήσης, μπορεί να διαρρέυσει υγρό από τη συστοιχία μπαταριών. Αποφύγετε την επαφή με αυτό. Σε περίπτωση τυχαίας επαφής, ξεπλύνετε καλά με νερό. Εάν το υγρό έρθει σε επαφή με τα μάτια, αναζητήστε επιπλέον ιατρική βοήθεια. Το υγρό που διαρρέει από τη συστοιχία μπαταριών μπορεί να προκαλέσει ερεθισμό ή εγκαύματα.

- Μην χρησιμοποιείτε τη συστοιχία μπαταριών ή τη μηχανή εάν έχουν υποστεί ζημιά ή έχουν τροποποιηθεί. Οι συστοιχίες μπαταριών που έχουν υποστεί ζημιά ή έχουν τροποποιηθεί μπορεί να έχουν απρόβλεπτη συμπεριφορά και να προκαλέσουν πυρκαγιά, έκρηξη ή τραυματισμό.
- Μην εκθέτετε τη συστοιχία μπαταριών ή τη μηχανή σε φωτιά ή υπερβολικά υψηλές θερμοκρασίες. Η έκθεση σε φωτιά ή θερμοκρασία πάνω από 130 °C μπορεί να προκαλέσει έκρηξη.
- Τηρείτε όλες τις οδηγίες φόρτισης και μη φορτίζετε τη συστοιχία μπαταριών ή τη μηχανή εκτός του εύρους θερμοκρασίας που καθορίζεται στις οδηγίες. Εάν η φόρτιση δε γίνει σωστά ή πραγματοποιηθεί σε θερμοκρασία εκτός του καθορισμένου εύρους, η συστοιχία μπαταριών μπορεί να υποστεί ζημιά και να αυξηθεί ο κίνδυνος πυρκαγιάς.
- Χρησιμοποιήστε μόνο με το καρότσι, τη βάση, το τρίποδο, το στήριγμα ή το τραπέζι που καθορίζεται από τον κατασκευαστή ή πωλείται με την συσκευή. Όταν χρησιμοποιείται ένα καρότσι, να είστε προσεκτικοί κατά τη μετακίνηση του συνδυασμού καροτσιού/εξοπλισμού προς αποφυγή τραυματισμών από ανατροπή.
- Αναθέτετε όλες τις εργασίες συντήρησης σε εξειδικευμένο προσωπικό του σέρβις. Απαιτείται σέρβις όταν η συσκευή έχει υποστεί βλάβη με οποιονδήποτε τρόπο, όπως όταν το καλώδιο τροφοδοσίας ή το βύσμα έχουν υποστεί βλάβη, έχει χυθεί υγρό ή έχουν πέσει αντικείμενα μέσα στη συσκευή, η συσκευή έχει εκτεθεί σε βροχή ή υγρασία, δεν λειτουργεί κανονικά ή έχει πέσει. Το σέρβις ή η συντήρηση που διεξάγονται από μη εξειδικευμένο προσωπικό μπορεί να επιφέρουν κίνδυνο τραυματισμού.

## ΣΕΡΒΙΣ

- Το σέρβις της μηχανής σας πρέπει να γίνεται από εξειδικευμένο τεχνικό, χρησιμοποιώντας μόνο όμοια ανταλλακτικά. Αυτό θα διασφαλίσει τη διατήρηση της ασφάλειας του μηχανήματος.
- Μην επιχειρήσετε ποτέ να επισκευάσετε συστοιχία μπαταριών που έχει υποστεί ζημιά. Η συστοιχία μπαταριών πρέπει να επισκευάζεται μόνο από τον κατασκευαστή ή από εξουσιοδοτημένα κέντρα σέρβις.
- Μια συσκευή που λειτουργεί με μπαταρίες που είναι ενσωματωμένες ή με μια ξεχωριστή συστοιχία μπαταριών πρέπει να επαναφορτίζεται μόνο με τον καθορισμένο φορτιστή για την μπαταρία. Ένας φορτιστής που είναι κατάλληλος για έναν τύπο μπαταρίας μπορεί να αποτελέσει κίνδυνο πυρκαγιάς όταν χρησιμοποιείται με άλλη μπαταρία.
- Ποτέ μην αποσυναρμολογείτε τη συσκευή και μην προσπαθείτε να κάνετε οποιαδήποτε αλλαγή καλωδίωσης στο ηλεκτρικό σύστημα της συσκευής.

## ΠΡΟΕΙΔΟΠΟΙΗΣΕΙΣ ΑΣΦΑΛΕΙΑΣ ΓΙΑ ΗΧΕΙΑ BLUETOOTH ΕΞΩΤΕΡΙΚΟΥ ΧΩΡΟΥ

- Για να μειώσετε τον κίνδυνο πυρκαγιάς ή ηλεκτροπληξίας, μην εκθέτετε αυτή τη συσκευή σε βροχή ή υγρασία. Χρήση μόνο σε στεγνούς χώρους.
- Χειρίζεστε αυτή τη συσκευή μόνο σε καλά αεριζόμενο χώρο.
- Διαβάστε αυτές τις οδηγίες.
- Λάβετε υπόψη όλες τις προειδοποιήσεις.
- Ακολουθήστε όλες τις οδηγίες.
- Μη χρησιμοποιείτε αυτή τη συσκευή κοντά σε νερό.
- Καθαρίζετε μόνο με στεγνό πανί.
- Μην μπλοκάρτε τα ανοίγματα εξαερισμού. Εγκαταστήστε σύμφωνα με τις οδηγίες του κατασκευαστή.
- Μην το εγκαταστήσετε κοντά σε πηγές θερμότητας, όπως καλοριφέρ, θερμαντικά σώματα, σόμπες ή άλλες συσκευές (συμπεριλαμβανομένων των ενισχυτών) που παράγουν θερμότητα.
- Χρησιμοποιείτε μόνο εξαρτήματα/αξεσουάρ που ορίζονται από τον κατασκευαστή.
- Συντήρηση της συσκευής. Ελέγξτε για κακή ευθυγράμμιση, θραύση εξαρτημάτων και οποιαδήποτε άλλη κατάσταση που μπορεί να επηρεάσει τη λειτουργία της συσκευής. Εάν έχει υποστεί ζημιά, αναθέστε την επισκευή της συσκευής πριν από τη χρήση. Χρησιμοποιείτε τη συσκευή σε συμφωνία με τις παρούσες οδηγίες, λαμβάνοντας υπόψη τις συνθήκες εργασίας και την εργασία προς διεξαγωγή. Η χρήση της συσκευής για σκοπούς διαφορετικούς από τους προβλεπόμενους μπορεί να οδηγήσει σε επικίνδυνες καταστάσεις.
- Κρατήστε τη συσκευή μακριά από άλλα μεταλλικά αντικείμενα, όπως συνδετήρες, κέρματα, κλειδιά, καρφιά, βίδες ή άλλα μικρά μεταλλικά αντικείμενα που μπορούν να πραγματοποιήσουν σύνδεση από τον ένα ακροδέκτη στον άλλο. Βραχυκύκλωμα των ακροδεκτών μεταξύ τους ενδέχεται να οδηγήσει σε εγκαύματα ή πυρκαγιά.
- Μη χρησιμοποιείτε τη συσκευή εάν έχει πέσει ή έχει δεχθεί δυνατό χτύπημα. Μια κατεστραμμένη συσκευή αυξάνει τον κίνδυνο πυρκαγιάς.
- Απορρίψτε αμέσως μια χρησιμοποιημένη μπαταρία. Κρατήστε το προϊόν μακριά από παιδιά. Μην

GR

αποσυαρμολογείτε και μην πετάτε στη φωτιά.

- Χρησιμοποιήστε μόνο με τις καθορισμένες συστοιχίες μπαταριών και τους φορτιστές.

**Φυλάξτε αυτές τις οδηγίες.** Ανατρέχετε σε αυτές συχνά και χρησιμοποιήστε τις για να καθοδηγήσετε άλλους που ενδέχεται να χρησιμοποιήσουν αυτό το μηχάνημα. Εάν δανείσετε σε κάποιον αυτήν τη μηχανή, δανείστε και αυτές τις οδηγίες, ώστε να αποτρέψετε τη λανθασμένη χρήση του προϊόντος και ενδεχόμενους τραυματισμούς.

## ΤΕΧΝΙΚΕΣ ΠΡΟΔΙΑΓΡΑΦΕΣ

Τάση	56 V
Προσαρμογέας ισχύος τάσης AC	100-240 V~, 50/60 Hz
Ισχύς εξόδου	180 W
Έξοδος ισχύος ενισχυτή	Woofers: 80W x1
	Tweeter: 10W x 2
	Μεσαίο: 40W x 2
Θύρα AUX	3,5 mm
Έξοδος USB-A	5 V, 2 A
Είσοδος/Έξοδος USB-C	DC5V 3A / DC9V 3A / DC12V 3A / DC15V 3A / DC20V 5A
Εμβέλεια Bluetooth®	> 55 m
Βάρος (χωρίς συστοιχία μπαταριών)	7,7 kg
Συνιστώμενη θερμοκρασία λειτουργίας	-15°C - 40°C
Συνιστώμενη θερμοκρασία αποθήκευσης	-20 °C - 70 °C
Βαθμός προστασίας από εισχώρηση	IP54* (Προστασία από τη σκόνη και το πισίλισμα νερού)

\* ΣΗΜΕΙΩΣΗ: Η αξιολόγηση IP54 βασίζεται στη συσκευή.

## ΚΑΤΑΛΟΓΟΣ ΣΥΣΚΕΥΑΣΙΑΣ (ΕΙΚ. Α1)

### ΠΕΡΙΓΡΑΦΗ

**ΓΝΩΡΙΣΤΕ ΤΟ ΗΧΕΙΟ BLUETOOTH ΕΞΩΤΕΡΙΚΟΥ ΧΩΡΟΥ (Εικ. Α1)**

1. Χειρολαβή
2. Πίνακας ελέγχου
3. Κουμπί αποδέσμευσης μπαταρίας

4. Αναπνέον φως
5. Λαστιχένιο κάλυμμα
6. Θύρα AUX
7. Θύρα εξόδου USB-A
8. Θύρα εισόδου/εξόδου USB-C
9. Ένδειξη φόρτισης
10. Κουμπί ενεργοποίησης/απενεργοποίησης (ON/OFF)
11. Κουμπί Bluetooth
12. Κουμπί συνδέσμου
13. Κουμπί μείωσης της έντασης
14. Κουμπί αύξησης της έντασης
15. Κουμπί αναπαγωγής/παύσης
16. Κουμπί αύξησης μπάσων

## ΛΕΙΤΟΥΡΓΙΑ

### ΕΦΑΡΜΟΓΗ

Μπορείτε να χρησιμοποιήσετε αυτό το προϊόν για τους ακόλουθους σκοπούς:

- Αναπαγωγή ήχου από συσκευές που είναι συνδεδεμένες ασύρματα ή μέσω καλωδίου AUX.

### ΠΡΟΣΑΡΤΗΣΗ/ΑΠΟΜΑΚΡΥΝΣΗ ΤΗΣ ΣΥΣΤΟΙΧΙΑΣ ΜΠΑΤΑΡΙΩΝ

Χρησιμοποιείτε μόνο τις συστοιχίες μπαταριών και τους φορτιστές της EGO που αναφέρονται στην Εικ. Α2.

Ανατρέξτε στα αντίστοιχα εγχειρίδια των συστοιχιών μπαταριών και των φορτιστών για περισσότερες λεπτομέρειες.

### Φορτίστε πλήρως πριν από την πρώτη χρήση.

**ΣΗΜΕΙΩΣΗ:** Ένας ήχος υπενημιζεί τότε η φόρτιση της συστοιχίας μπαταριών είναι χαμηλή.

### Προσάρτηση

Ευθυγραμμίστε τις νευρώσεις της συστοιχίας μπαταριών με τις οπές τοποθέτησης και πιέστε τη συστοιχία μπαταριών προς τα κάτω, μέχρι να ακούσετε «κλικ» (Εικ. Β1).

### Αφαίρεση

Πατήστε το κουμπί αποδέσμευσης της συστοιχίας μπαταριών και τραβήξτε την προς τα έξω (Εικ. Β2).

**⚠ ΠΡΟΕΙΔΟΠΟΙΗΣΗ:** Λαμβάνετε πάντα υπόψη τη θέση των ποδιών σας, παιδιών ή κατοικίδιων όταν πιέσετε το κουμπί απελευθέρωσης μπαταρίας. Ενέχει κίνδυνο σοβαρού τραυματισμού εάν πέσει η μπαταρία. Μην αφαιρείτε ΠΟΤΕ την μπαταρία όταν βρίσκεστε σε ύψος.

B1-1	Υποδοχή τοποθέτησης	B1-2	Αυλάκι
B1-3	Κουμπτί αποδέσμευσης μπαταρίας		

### ΧΡΗΣΗ ΤΟΥ ΠΡΟΣΑΡΜΟΓΕΑ ΙΣΧΥΟΣ AC (ΔΕΝ ΠΕΡΙΛΑΜΒΑΝΕΤΑΙ)

Ο προσαρμογέας ισχύος AC δεν περιλαμβάνεται κατά την παράδοση. Ο προσαρμογέας και το καλώδιο φόρτισης που συμμορφώνονται με το πρωτόκολλο PD και είναι μεγαλύτερα των 60W μπορούν να χρησιμοποιηθούν ως προσαρμογέας ρεύματος.

**ΣΗΜΕΙΩΣΗ:** Όταν χρησιμοποιείτε μόνο τον προσαρμογέα ισχύος AC, η ποιότητα ήχου και η ένταση της μουσικής μπορεί να επηρεαστούν.

Ανοίξτε το λαστιχένιο κάλυμμα και εισάγετε το βύσμα του προσαρμογέα ισχύος AC στη θύρα εισόδου/εξόδου USB-C στο πίσω μέρος του ηχείου. Συνδέστε τον προσαρμογέα σε μια συνήθη πρίζα (Εικ. C1).

Όποτε ο προσαρμογέας ισχύος είναι συνδεδεμένος, η εισηγμένη συστοιχία μπαταριών φορτίζεται αυτόματα. Το μικρό σημειακό φως πάνω από το σύμβολο ένδειξης φόρτισης θα αναβοσβήνει λευκό. Όταν η συστοιχία μπαταριών είναι πλήρως φορτισμένη, το μικρό σημειακό φως θα ανάβει σταθερά λευκό. Όταν το μικρό σημειακό φως ανάβει σταθερό κόκκινο, σημαίνει ότι η συστοιχία μπαταριών είναι ελαττωματική (Εικ. C2).

Ο προσαρμογέας ισχύος AC πρέπει να αποσυνδέεται από την πρίζα όταν δεν χρησιμοποιείται.

**ΣΗΜΕΙΩΣΗ:** Η συστοιχία μπαταριών και οι συσκευές USB όπως τα κινητά τηλέφωνα, οι συσκευές αναπαραγωγής MP3 κ.λπ. που είναι συνδεδεμένα σε θύρα εξόδου USB-A φορτίζονται όταν έχει συνδεθεί ο προσαρμογέας ισχύος AC.

**ΕΙΔΟΠΟΙΗΣΗ:** Πάντα κλείνετε το λαστιχένιο κάλυμμα μετά από κάθε χρήση για την προστασία των θυρών από σκόνη, ρύπους και υγρασία.

C1-1	Προσαρμογέας ρεύματος AC	C1-2	Θύρα εισόδου/εξόδου USB-C
C1-3	Λαστιχένιο κάλυμμα	C2-1	Μικρή κουκίδα
C2-2	Ένδειξη φόρτισης		

### ΕΝΕΡΓΟΠΟΙΗΣΗ ΚΑΙ ΑΠΕΝΕΡΓΟΠΟΙΗΣΗ ΤΟΥ ΗΧΕΙΟΥ (Εικ. D)

Πιέστε σύντομα το κουμπτί ON/OFF, το ηχείο θα ενεργοποιηθεί και η λυχνία του κουμπιού ON/OFF θα παραμείνει αναμμένη και ένας ήχος θα ειδοποιήσει για τη σύνδεση.

Για να απενεργοποιήσετε το ηχείο, πατήστε σύντομα το κουμπτί ON/OFF. Ένας ήχος θα ειδοποιήσει για την αποσύνδεση.

**ΣΗΜΕΙΩΣΗ:** το ηχείο θα απενεργοποιηθεί αυτόματα μετά από 20 λεπτά εάν δεν αναπαράγεται μουσική ή δεν υπάρχει έξοδος από τις θύρες USB-A ή USB-C.

D-1	Κουμπτί ενεργοποίησης/απενεργοποίησης (ON/OFF)
-----	--

### ΚΑΤΑΣΤΑΣΗ ΛΕΙΤΟΥΡΓΙΑΣ BLUETOOTH® (Εικ. E)

Αφού ενεργοποιήσετε το ηχείο, η ζεύξη Bluetooth® θα ενεργοποιηθεί αυτόματα και θα υποδεικνύεται από το λευκό κουμπτί Bluetooth® που αναβοσβήνει.

- Ενεργοποιήστε τη λειτουργία Bluetooth® στη συσκευή που θα συνδεθεί (smartphone ή παρόμοιο) και επιλέξτε «EGO SK1800E» ως στόχο σύνδεσης Bluetooth® στη συσκευή σας.
- Ένας ήχος θα ειδοποιήσει για τη σύνδεση και το κουμπτί Bluetooth® θα παραμείνει αναμμένο αφότου συνδεθεί με επιτυχία η συσκευή.

**ΣΗΜΕΙΩΣΗ:** Εάν έχει προηγουμένως γίνει ζεύξη στην επιθυμητή συσκευή, το ηχείο θα επανασυνδεθεί αυτόματα στην ίδια συσκευή όταν ενεργοποιηθεί.

**ΣΗΜΕΙΩΣΗ:** Αν το ηχείο δεν έχει ξαφνικά ήχο ή αναπαράγει άλλο ήχο μέσω, αυτό σημαίνει ότι η δεύτερη συνδεδεμένη συσκευή έχει αναλάβει τον έλεγχο του ηχείου και προκύπτει αθόρυβη διαφήμιση ή αναπαράγεται ένα τραγούδι.

Η λειτουργία ζεύξης Bluetooth® θα είναι ενεργή μόνο για 3 λεπτά και θα απενεργοποιηθεί αυτόματα αν δεν υπάρχει συνδεδεμένη/συζευγμένη συσκευή.

Πιέστε σύντομα το κουμπτί Bluetooth®, το κουμπτί Bluetooth® αρχίζει να αναβοσβήνει για να υποδηλώσει ότι μια συσκευή μπορεί να συνδεθεί.

Δύο συσκευές μπορούν ταυτόχρονα να συνδεθούν με το ηχείο μέσω Bluetooth®.

- Αφού συνδεθεί η πρώτη συσκευή, πατήστε το κουμπτί Bluetooth® μέχρι να αρχίσει να αναβοσβήνει.
- Μόλις το κουμπτί Bluetooth® αρχίσει να αναβοσβήνει, επιλέξτε «EGO SK1800E» στη δεύτερη συσκευή και

συνδέστε την με το ηχείο. Μετά από επιτυχή σύνδεση, θα ηχήσει φωνητική ανακοίνωση ότι έχει συνδεθεί η δεύτερη συσκευή.

**ΣΗΜΕΙΩΣΗ:** Αν υπάρχει πρόβλημα στην αναπαραγωγή, επανεκκινήστε το ηχείο.

**Για την αποσύνδεση της συσκευής Bluetooth®:** Πατήστε και κρατήστε πατημένο το κουμπί Bluetooth® για περισσότερα από 2 δευτερόλεπτα ή αποσυνδέστε το ηχείο από τη συσκευή σας.

E-1	Κουμπί Bluetooth®
-----	-------------------

## ΣΥΝΔΕΣΗ ΠΟΛΛΑΠΛΩΝ ΜΟΝΑΔΩΝ SK1800E ΜΕ ΤΗ ΧΡΗΣΗ ΣΥΝΔΕΣΜΟΥ (Εικ. F1, F2)

Είναι δυνατή σύνδεση έως και 100 τεμ. ηχεία SK1800E με τη χρήση του συνδέσμου.

Ενεργοποιήστε τα ηχεία και βεβαιωθείτε ότι ένα από τα ηχεία έχει συνδεθεί σε μία συσκευή μέσω Bluetooth.

Το ηχείο που έχει συνδεθεί στη συσκευή θα λειτουργεί ως μονάδα «εξυπηρετητή» και μπορεί να ελέγχει την αναπαραγωγή (ένταση, αναπαραγωγή/παύση κ.λπ.).

**ΣΗΜΕΙΩΣΗ:** Μόλις ρυθμιστεί η ένταση στη μονάδα «εξυπηρετητή», τα άλλα συνδεδεμένα ηχεία συντονίζονται αμέσως στο ίδιο επίπεδο έντασης όπως η μονάδα «εξυπηρετητή».

Πατήστε και κρατήστε το κουμπί συνδέσμου για περισσότερα από 2 δευτερόλεπτα στο ηχείο «εξυπηρετητή» και στο δευτερεύον ηχείο. Όταν το συνδεδεμένο ηχείο αναπαράγει τη μουσική της μονάδας «εξυπηρετητή», αυτό σημαίνει ότι τα δύο ηχεία συνδέονται αυτόματα μεταξύ τους.

**ΣΗΜΕΙΩΣΗ:** Εάν θέλετε να συνδέσετε το τρίτο, τέταρτο ή ενενήκοστό ένατο ηχείο αργότερα, πρέπει μόνο να πιέσετε και να κρατήσετε το κουμπί LINK (ΣΥΝΔΕΣΜΟΣ) για περισσότερα από 2 δευτερόλεπτα στο (στα) επιπρόσθετο(α) ηχείο(α).

Η απόσταση μεταξύ των δύο συνδεδεμένων ηχείων δεν μπορεί να υπερβαίνει τα 40 μέτρα σε έναν ανοιχτό χώρο.

Πατήστε και κρατήστε το κουμπί συνδέσμου για περισσότερα από 2 δευτερόλεπτα στη μονάδα «εξυπηρετητή» ή απενεργοποιήστε σύντομα τα άλλα ηχεία για να αποσυνδεθεί το σύστημα ΣΥΝΔΕΣΜΟΥ.

Επιπρόσθετα στην σύνδεση πολλαπλών ηχείων, το κουμπί συνδέσμου ελέγχει επίσης το αναπνέον φως. Πατήστε το κουμπί ΣΥΝΔΕΣΜΟΣ για να ενεργοποιήσετε ή να απενεργοποιήσετε το αναπνέον φως. Όταν δεν αναπαράγεται μουσική, το αναπνέον φως σβήνει

σταδιακά έως ότου να σβήσει εντελώς, κατόπιν ανάβει σταδιακά μέχρι την πλήρη φωτεινότητα.

F1-1	Κουμπί συνδέσμου	F2-1	Αναπνέον φως
------	------------------	------	--------------

## ΡΥΘΜΙΣΗ ΤΗΣ ΕΝΤΑΣΗΣ (Εικ. G)

Το ηχείο διαθέτει 16 επίπεδα έντασης ήχου.

- Για να μειώσετε την ένταση, πατήστε το κουμπί «-» μία φορά για να μειώσετε την ένταση κατά ένα επίπεδο.
- Πατήστε και κρατήστε πατημένο το κουμπί «-» για να μειώσετε την ένταση σταδιακά. Μπορείτε να σταματήσετε να πατάτε το κουμπί «-» όταν η ένταση φτάσει στο επιθυμητό από εσάς επίπεδο.
- Για να αυξήσετε την ένταση, πατήστε το κουμπί «+» μία φορά για να αυξήσετε την ένταση κατά ένα επίπεδο.
- Πατήστε και κρατήστε πατημένο το κουμπί «+» για να αυξήσετε σταδιακά την ένταση. Μπορείτε να σταματήσετε να πατάτε το κουμπί «+» όταν η ένταση φτάσει στο επιθυμητό από εσάς επίπεδο.

Η ρύθμιση της έντασης όχι μόνο μπορεί να ρυθμίσει την ένταση του ηχείου, αλλά μπορεί επίσης να ρυθμίσει την ένταση στη συσκευή.

**ΣΗΜΕΙΩΣΗ:** Όταν η ένταση ρυθμιστεί στη μέγιστη τιμή, ένας ήχος ειδοποιεί ότι έχει επιτευχθεί η μέγιστη ένταση.

G-1	Κουμπί μείωσης και αύξησης της έντασης
-----	--

## ΑΝΑΠΑΡΑΓΩΓΗ/ΠΑΥΣΗ (Εικ. Η)

Για να ξεκινήσετε ή να διακόψετε τη μουσική, πιέστε το κουμπί αναπαραγωγής/παύσης.

Πατήστε το κουμπί αναπαραγωγής/παύσης δύο φορές γρήγορα για να μεταβείτε στο επόμενο κομμάτι/αρχείο.

H-1	Κουμπί αναπαραγωγής/παύσης
-----	----------------------------

## ΑΥΞΗΣΗ ΤΩΝ ΜΠΑΣΩΝ (Εικ. Ι)

- Πατήστε το κουμπί αύξησης των μπάσων για να ενισχύσετε τα μπάσα. Το κουμπί αύξησης των μπάσων θα παραμείνει αναμμένο για να υποδεικίσει ότι τα μπάσα έχουν ενισχυθεί.
- Πατήστε ξανά το κουμπί αύξησης των μπάσων για να επιστρέψετε τα μπάσα στο κανονικό επίπεδο. Το φως του κουμπιού αύξησης των μπάσων θα σβήσει.

I-1	Κουμπί αύξησης μπάσων
-----	-----------------------



## ΚΑΤΑΣΤΑΣΗ ΛΕΙΤΟΥΡΓΙΑΣ AUX (Εικ. J)

Ανοίξετε το λαστιχένιο κάλυμμα, εισάγετε το καλώδιο AUX (δεν περιλαμβάνεται) μέσα στη θύρα AUX και εξασφαλίστε ότι έχει συνδεθεί σωστά.

Συνδέστε την εξωτερική πηγή μουσικής (συσκευή αναπαραγωγής MP3 ή παρόμοια) στο άλλο άκρο του καλωδίου AUX.

Ενεργοποιήστε το ηχείο και εκκινήστε την αναπαραγωγή.

Όταν τελειώσει η αναπαραγωγή, αποσυνδέστε το καλώδιο AUX.

**ΣΗΜΕΙΩΣΗ:** Οι μπαταρίες των συνδεδεμένων συσκευών δεν μπορούν να φορτιστούν μέσω της σύνδεσης AUX.

**ΣΗΜΕΙΩΣΗ:** Όταν το ηχείο απενεργοποιείται, η συνδεδεμένη συσκευή δεν απενεργοποιείται αυτόματα.

J-1	Θύρα AUX	J-2	Θύρα εξόδου USB-A
J-3	Λαστιχένιο κάλυμμα	J-4	Θύρα εισόδου/εξόδου USB-C

## ΘΥΡΕΣ ΙΣΧΥΟΣ USB (Εικ. J)

Όταν εγκαθίσταται μια συστοιχία μπαταριών ή το ηχείο έχει συνδεθεί σε έναν προσαρμογέα ισχύος AC και το ηχείο είναι ενεργοποιημένο, η θύρα εξόδου USB-A και η θύρα εισόδου/εξόδου USB-C παρέχει την ισχύ φόρτισης για συσκευές χαμηλής ισχύος όπως είναι τα κινητά τηλέφωνα, οι συσκευές αναπαραγωγής MP3 κ.λπ. Αποσυνδέστε αμέσως τη συσκευή USB μετά τη φόρτιση.

**ΣΗΜΕΙΩΣΗ:** Η θύρα εξόδου USB-A δεν μπορεί να χρησιμοποιηθεί για αναπαραγωγή ήχου. Η αναπαραγωγή ήχου είναι δυνατή μόνο μέσω σύνδεσης Bluetooth ή AUX.

**ΕΙΔΟΠΟΙΗΣΗ:** Πάντα κλείνετε το λαστιχένιο κάλυμμα μετά από κάθε χρήση για την προστασία των θυρών από σκόνη, ρύπους και υγρασία.

## ΣΥΝΤΗΡΗΣΗ

**⚠️ ΠΡΟΕΙΔΟΠΟΙΗΣΗ:** Κατά τη συντήρηση, χρησιμοποιείτε μόνο όμοια ανταλλακτικά. Η χρήση οποιωνδήποτε άλλων εξαρτημάτων μπορεί να προκαλέσει κίνδυνο ή υλικές ζημιές. Προκειμένου να διασφαλιστεί η ασφάλεια και η αξιοπιστία, όλες οι επισκευές πρέπει να διενεργούνται από εξειδικευμένο τεχνικό του σέρβις.

**⚠️ ΠΡΟΕΙΔΟΠΟΙΗΣΗ:** Για την αποφυγή σοβαρού τραυματισμού, αφαιρείτε πάντοτε τη μπαταρία από το προϊόν πριν από τον καθαρισμό ή οποιαδήποτε συντήρηση.

## ΓΕΝΙΚΗ ΣΥΝΤΗΡΗΣΗ

Αποφεύγετε τη χρήση διαλυτών κατά τον καθαρισμό των πλαστικών εξαρτημάτων. Τα περισσότερα πλαστικά είναι ευπαθή στη χρήση διαφόρων τύπων διαλυτών του εμπορίου και καταστρέφονται από τη χρήση τους. Χρησιμοποιήστε ένα καθαρό πανί για την απομάκρυνση βρωμιάς, σκόνης, λαδιού, γράσου, κτλ.

**⚠️ ΠΡΟΕΙΔΟΠΟΙΗΣΗ:** Μην επιτρέψετε ποτέ να έρθουν σε επαφή τα πλαστικά εξαρτήματα με υγρά φρένων, βενζίνη, πετρελαικά προϊόντα, δεισδυτικά λάδια, κτλ. Τα χημικά μπορούν να φθείρουν, να αποδυναμώσουν ή να καταστρέψουν τα πλαστικά εξαρτήματα με κίνδυνο σοβαρού τραυματισμού.

**⚠️ ΠΡΟΕΙΔΟΠΟΙΗΣΗ:** Για να μειώσετε τον κίνδυνο πυρκαγιάς, τραυματισμού και ζημιάς στο προϊόν λόγω βραχυκυκλώματος, μην βυθίζετε ποτέ τη μηχανή, τη συστοιχία μπαταριών ή το φορτιστή σε υγρό και προσέξτε να μην εισχωρήσει νερό στο εσωτερικό τους. Διαβρωτικά ή αγώγιμα υγρά, όπως το θαλασσίνο νερό, ορισμένα βιομηχανικά χημικά, και η χλωρίνη ή προϊόντα που περιέχουν χλώριο κ.λπ., μπορούν να προκαλέσουν βραχυκύκλωμα.

## ΑΠΟΘΗΚΕΥΣΗ

1. Αφαιρέστε τη συστοιχία μπαταριών από το ηχείο.
2. Καθαρίστε όλα τα ξένα σώματα από το ηχείο.
3. Αποθηκεύετε το ηχείο σε ξηρό, καλά αεριζόμενο χώρο, εκτός εμβέλειας παιδιών. Μην αποθηκεύετε το ηχείο επάνω ή δίπλα σε λιπάσματα, βενζίνη ή άλλες χημικές ουσίες.

## ΠΡΟΣΤΑΣΙΑ ΤΟΥ ΠΕΡΙΒΑΛΛΟΝΤΟΣ



Μην απορρίπτετε ηλεκτρικό εξοπλισμό, παλιές μπαταρίες και φορτιστές στα οικιακά απορρίμματα! Μεταφέρετε αυτό το προϊόν σε εξουσιοδοτημένο κέντρο ανακύκλωσης και παραδώστε το για ξεχωριστή συλλογή. Τα ηλεκτρικά εργαλεία πρέπει να επιστρέφονται σε περιβαλλοντικά συμβατή μονάδα ανακύκλωσης.

GR

**ΑΝΤΙΜΕΤΩΠΙΣΗ ΠΡΟΒΛΗΜΑΤΩΝ**

ΠΡΟΒΛΗΜΑ	ΑΙΤΙΑ	ΑΝΤΙΜΕΤΩΠΙΣΗ
Το ηχείο δεν λειτουργεί.	<ul style="list-style-type: none"><li>■ Η συστοιχία μπαταριών δεν έχει προσαρτηθεί στο ηχείο</li><li>■ Δεν υπάρχει ηλεκτρική επαφή μεταξύ του ηχείου και της μπαταρίας.</li><li>■ Η συστοιχία μπαταριών έχει αδειάσει.</li><li>■ Η συστοιχία μπαταριών είναι υπερβολικά ζεστή.</li></ul>	<ul style="list-style-type: none"><li>■ Προσαρτήστε τη συστοιχία μπαταριών στο ηχείο.</li><li>■ Απομακρύνετε τη συστοιχία μπαταριών, ελέγξτε τις επαφές και εγκαταστήστε εκ νέου τη συστοιχία μπαταριών.</li><li>■ Φορτίστε τη συστοιχία μπαταριών.</li><li>■ Επιτρέψτε η συστοιχία μπαταριών να κρυώσει, ώσπου η θερμοκρασία της να πέσει κάτω των 67°C (152°F).</li></ul>
Το ηχείο δεν μπορεί να συνδεθεί σωστά με μια συσκευή Bluetooth.	<ul style="list-style-type: none"><li>■ Εκτός εύρους ζεύξης Bluetooth.</li></ul>	<ul style="list-style-type: none"><li>■ Μετακινήστε τη συσκευή σας πιο κοντά στο ηχείο.</li></ul>

**ΕΓΓΥΗΣΗ****ΠΟΛΙΤΙΚΗ ΕΓΓΥΗΣΗΣ EGO**

Επισκεφθείτε την ιστοσελίδα [egopowerplus.eu](http://egopowerplus.eu) για όλους τους όρους και τις προϋποθέσεις της πολιτικής εγγύησης EGO.

**TÜM TALİMATLARI OKUYUN!****KULLANIM KILAVUZUNU OKUYUN**

**⚠ UYARI:** Emniyet ve güvenilirliği sağlamak için tüm tamir işleri yetkili bir servis teknisyeni tarafından yapılmalıdır.

**GÜVENLİK SEMBOLLERİ**

Güvenlik sembollerinin amacı olası tehlikelere dikkatinizi çekmektir. Güvenlik sembolleri ve yanlarındaki açıklamalar özel dikkat ve anlayış göstermenizi gerektirir. Uyarı sembolleri kendi başlarına herhangi bir tehlikeyi gidermez. Sembollerde belirtilen talimatlar ve uyarılar uygun kaza önleme tedbirlerinin yerine geçmez.

**⚠ UYARI:** Bu makineyi kullanmadan önce "TEHLİKE" "UYARI" ve "DİKKAT" gibi güvenlikle ilgili tüm uyarı sembollerini içeren bu Kullanım Kılavuzundaki tüm güvenlik talimatlarını okuyup anladığınızdan emin olun. Aşağıdaki talimatların tamamına uyulmaması elektrik çarpması, yangın ve/veya ciddi fiziksel yaralanma ile sonuçlanabilir.

**GÜVENLİK TALİMATLARI**

Bu sayfada, bu ürün üzerinde görülebilecek güvenlik sembolleri gösterilmekte ve açıklanmaktadır. Makineyi monte etmeye ve kullanmaya başlamadan önce, makineye ilişkin tüm talimatları okuyup anlayın ve bu talimatlara uyun.



Güvenlik Uyarısı



Yaralanma riskini azaltmak için kullanıcı, kullanma kılavuzunu mutlaka okumalıdır.



Bluetooth®



Atık elektrikli ürünler, evsel atıklar ile birlikte bertaraf edilmemelidir. Yetkili bir geri dönüşüm merkezine teslim edilmelidir.



Bu ürün, yürürlükteki AB yönetmeliklerine uygundur.



Birleşik Krallık Uygunluğu Değerlendirildi



Doğru Akım

W Watt

Hz Hertz

m Metre

V Voltaj

kg Kilogram

°C Santigrat

mm Milimetre

TR

## MAKİNE İÇİN GENEL GÜVENLİK UYARILARI

**⚠ UYARI: BU MAKİNE İLE BİRLİKTE VERİLEN TÜM GÜVENLİK UYARILARINI, TALİMATLARINI, RESİMLİ AÇIKLAMALAR VE TEKNİK ÖZELLİKLERİ OKUYUN.** Aşağıdaki talimatların tamamına uyulmaması elektrik çarpması, yangın ve/veya ciddi yaralanma ile sonuçlanabilir.

## TÜM UYARI VE TALİMATLARI GELECEKTE BAŞVURU AMACIYLA MUHAFAZA EDİN.

### ÇALIŞMA ALANI GÜVENLİĞİ

- Çalışma alanını temiz tutun ve yeterli aydınlatma sağlayın. Karşık veya karanlık alanlar kazalara yol açar.
- Makineleri yanıcı sıvılar, benzin veya toz gibi maddelerin bulunduğu ortamlarda çalıştırmayın. Makineler, tozları veya dumanları tutuşturabilecek kıvılcımlar oluşturur.
- Bir makineyi kullanırken çocukların ve etraftaki kişilerin makineden uzakta olduğundan emin olun. Dikkatinizin dağılması kontrolü kaybetmenize neden olabilir.

### ELEKTRİK GÜVENLİĞİ

- Makine fişleri prize uygun olmalıdır. Fiş üzerinde asla değişiklik yapmayın. Topraklı (topraklamalı) makineler için herhangi bir adaptör fişi kullanmayın. Üzerinde değişiklik yapılmamış fişler ve uygun prizler elektrik çarpması riskini azaltır.
- Boru, radyatör, fırıncı ocak ve buzdolabı gibi topraklanmış yüzeylerle temastan kaçının. Topraklanmış yerlerle temas etmeniz halinde elektrik çarpması riski artar.
- Kabloyu hatalı kullanmayın. Kabloyu asla makineyi taşımak, çekmek veya fişi prizden çıkarmak için kullanmayın. Kabloyu sıcaktan, yağdan, keskin kenarlardan veya hareketli parçalardan uzak tutun. Hasarlı veya birbirine dolaşmış kablolar elektrik çarpması riskini artırır.
- Bir hoparlörü dış mekanlarda kullanırken, dış mekan için uygun bir uzatma kablosu kullanın. Dış mekan için uygun bir kablolonun kullanılması elektrik çarpması riskini azaltır.
- Makinenin rutubetli bir ortamda kullanılması gerekirse kaçak akım rölesi bulunan bir şebeke kullanın. GFCI kullanmak elektrik çarpması riskini azaltır.

### KİŞİSEL GÜVENLİK

- Makineyi kullanırken daima dikkatli olun, yaptığınız

işe yoğunlaşın ve sağduyulu davranın. Makineyi yorgunken ya da uyuşturucu, alkol ya da ilaç etkisi altındayken kullanmayın. Makineleri kullanırken bir anlık dikkatsizlik ciddi kişisel yaralanmayla sonuçlanabilir.

### MAKİNE KULLANIMI VE BAKIMI

- Tutma saplarını/kollarını ve kavrama yüzeylerini kuru, temiz, benzin ve yağdan uzak tutun. Kaygan tutma kolları ve kavrama yüzeyleri, makinenin beklenmeyen durumlarda güvenli bir şekilde tutulmasına ve kontrol edilmesine izin vermez.

### AKÜ İLE ÇALIŞAN MAKİNELERİN KULLANIMI VE BAKIMI

- Sadece üretici tarafından belirtilen şarj cihazı ile şarj edin. Bir akü türü için uygun olan şarj cihazı, başka bir akü ile kullanıldığında yangın riski oluşturabilir.
- Makineleri sadece özel olarak tasarlanan akülerle birlikte kullanın. Başka akü/batarya takımlarının kullanımı yaralanma ve yangın tehlikesi oluşturabilir.
- Akü/batarya takımının kullanımda olmadığı durumlarda takımı ataş, bozuk para, anahtar, çivi, vida veya kutuplar arasında kısa devre yapabilecek diğer metal nesnelere uzak tutun. Akü/Batarya kutuplarının kısa devre yapılması yangın veya yanıklara neden olabilir.
- Kötü şartlar altında aküden sıvı akışı olabilir; bu sıvı ile temas etmektan kaçının. Yanlışlıkla temas edilirse etkilenen bölgeyi su ile yıkayın. Sıvı göze temas ederse ayrıca tıbbi yardım alın. Aküden akan sıvı tahriş veya yanıklara neden olabilir.
- Hasarlı veya üzerinde değişiklik yapılmış bir akü/batarya takımını veya makineyi kullanmayın. Hasarlı veya üzerinde değişiklik yapılmış aküler/bataryalar yangın, patlama veya yaralanma riskine neden olacak şekilde beklenmeyen davranışlar gösterebilir.
- Akü/Batarya takımını veya makineyi ateşe veya aşırı sıcaklıklara maruz bırakmayın. Ateşe veya 130 °C'nin üzerindeki sıcaklıklara maruz kalması patlamaya neden olabilir.
- Tüm şarj talimatlarına uyun ve akü takımını veya makineyi talimatlarda belirtilen sıcaklık aralığının dışındaki sıcaklıklarda şarj etmeyin. Hatalı veya belirtilen sıcaklık aralığının dışındaki sıcaklıklarda şarj etmek, aküye/bataryaya zarar verebilir ve yangın riskini artırır.

### SERVİS

- Makinenizi sadece orijinal yedek parça kullanan yetkili bir servis personeline tamir ettirin. Bu sayede makinenin güvenliğinin korunması sağlanır.

- **Asla hasarlı akülere bakım-onarım yapmayın.** Akülerin/bataryaların bakımı sadece üretici veya yetkili servisler tarafından yapılmalıdır.

## DIŞ MEKAN BLUETOOTH HOPARLÖR İÇİN GÜVENLİK UYARILARI

- Yangın veya elektrik çarpması riskini azaltmak için bu cihazı yağmura veya neme maruz bırakmayın. Yalnızca kuru yerde kullanın.
- Bu cihazı yalnızca iyi havalandırılmış bir alanda kullanın.
- Bu talimatları okuyun.
- Tüm uyarıları dikkate alın.
- Tüm talimatları uygulayın.
- Bu cihazı suyun yakınında kullanmayın.
- Sadece kuru bezle temizleyin.
- Havalandırma deliklerini tıkamayın. Üreticinin talimatlarına uygun olarak kurulum yapın.
- Radyatör, ısı düzenleyici, soba gibi ısı kaynaklarının veya ısı üreten diğer cihazların (amplifikatörler dahil) yakınına kurmayın.
- Yalnızca üretici tarafından belirtilen parçaları/ aksesuarları kullanın.
- Yalnızca üretici tarafından belirtilen veya cihazla birlikte satılan taşıma arabası, stand, tripod, braket veya masayı kullanın. Taşıma arabası kullanıldığında, devrilmeden kaynaklanabilecek yaralanmaları önlemek için araba/alet kombinasyonunu hareket ettirirken dikkatli olun.
- Tüm servis işlemlerini yetkili servis personeline yaptırın. Güç kablosunun veya fişinin hasar görmesi, cihazın içine sıvı dökülmesi veya üzerine nesnelere düşmesi, cihazın yağmura veya neme maruz kalması, normal çalışmaması veya düşürülmesi gibi durumunda servis gereklidir. Uzman olmayan kişilerce gerçekleştirilen servis veya bakım işlemleri yaralanma riskine yol açabilir.
- Dahili aküleri veya ayrı bir akü takımı bulunan akü ile çalışan bir cihaz, yalnızca bu akü için belirtilen şarj cihazıyla şarj edilmelidir. Bir akü türü için uygun olan şarj cihazı, başka türde bir akü ile kullanıldığında yangın çıkarabilir.
- Asla cihazı sökmeyin veya cihazın elektrik sisteminde yeniden kablolama yapmaya çalışmayın.
- Cihazın bakımını yapın. Parçaların hasarlı olup olmadığını, parçaların kırılıp kırılmadığını veya cihazın çalışmasını etkileyebilecek tüm diğer koşulları kontrol edin. Hasar görmüşse kullanmadan önce cihazı tamir ettirin. Cihazı, bu talimatlara,

**çalışma koşullarına ve yapılacak işe uygun olarak kullanın.** Cihazın kullanım amacı dışındaki işlerde kullanılması tehlikeli durumlara neden olabilir.

- **Cihazı ataş, madeni para, anahtar, çivi, vida gibi diğer metal nesnelere veya bir kutuptan diğerine bağlantı oluşturabilecek diğer küçük metal nesnelere uzak tutun.** Kutupların birbirine kısa devre yapması yanıklara veya yangına neden olabilir.
- **Yere düşen veya keskin bir darbe alan cihazı kullanmayın.** Hasarlı bir cihaz yangın riskini artıracaktır.
- Kullanılmış akünün bir an önce bertaraf edilmesini sağlayın. Çocuklardan uzak tutun. Sökmeyin ve ateşe atmayın.
- **Yalnızca belirtilen akü takımları ve şarj cihazlarıyla kullanın.**

**Bu talimatları saklayın.** Talimatlara sık sık müracaat edin ve bu makineyi kullanacak diğer kişileri bilgilendirmek için kullanın. Bu makineyi başka birine ödünç vererseniz ürünün hatalı kullanılmasını ve olası yaralanmaları önlemek için bu talimatları da ürünle birlikte verin.

## TEKNİK ÖZELLİKLER

Voltaj	56 V
AC Güç Adaptörü için Voltaj	100-240 V~,50/60 Hz
Çıkış Gücü	180 W
Amplifikatör Güç Çıkışı	Woofers: 80W x1
	Tweeters: 10W x 2
	Orta: 40W x 2
AUX Bağlantı Noktası	3,5 mm
USB-A Çıkışı	5 V, 2 A
USB-C Giriş/Çıkışı	DC5V 3A / DC9V 3A / DC12V 3A / DC15V 3A / DC20V 5A
Bluetooth® Menzili	> 55 m
Ağırlık (Akü takımı hariç)	7,7 kg
Önerilen Çalışma Sıcaklığı	-15 °C - 40 °C
Önerilen Depolama Sıcaklığı	-20 °C - 70 °C
IP Koruma Derecesi	IP54* (Toza ve sıçrayan suya karşı korumalı)

\* NOT: IP54 derecesi cihaza dayanmaktadır.

TR

## AMBALAJ İÇERİĞİ (ŞEK. A1)

### AÇIKLAMA

#### DIŞ MEKAN BLUETOOTH HOPARLÖRÜNÜZÜ TANIYIN (Şek. A1)

1. Tutma Kolu
2. Kontrol Paneli
3. Akü Çıkarma Düğmesi
4. Solunum Işığı
5. Kauçuk Kapak
6. AUX Bağlantı Noktası
7. USB-A Çıkışı Bağlantı Noktası
8. USB-C Giriş/Çıkışı Bağlantı Noktası
9. Şarj Göstergesi
10. Açma/Kapatma Düğmesi
11. Bluetooth Düğmesi
12. Bağlantı Düğmesi
13. Ses Kısma Düğmesi
14. Ses Açma Düğmesi
15. Oynat/Duraklat Düğmesi
16. Bas Yükseltme Düğmesi

### ÇALIŞTIRMA

#### UYGULAMA

Bu ürünü aşağıda belirtilen amaçlar için kullanabilirsiniz:

- Kablosuz olarak veya AUX kablosuyla bağlantı kurulabilen cihazlardan ses çalma.

#### AKÜ TAKIMINI TAKMA/ÇIKARMA

Sadece Şek. A2'de listelenen EGO akü takımlarını ve şarj cihazlarını kullanın.

Daha fazla ayrıntı için ilgili akü ve şarj cihazı kılavuzlarına bakın.

#### İlk kullanımdan önce tamamen şarj edin.

**NOT:** Akü takımının şarjı azaldığında sesli bir uyarı duyulur.

#### Takmak için

Akü dişleri ile montaj yuvalarını hizalayın ve bir "tık" sesi duyana kadar aküyü bastırın (Şek. B1).

#### Çıkarmak için

Akü çıkarma düğmesine basın ve akü takımını çekip çıkarın (Şek. B2).

**⚠ UYARI:** Akü çıkarma düğmesine basarken daima ayaklarınızın, çocukların veya evcil hayvanların konumuna dikkat edin. Akü düşerse ciddi yaralanmaya neden olabilir. Yüksek bir konumdayken aküyü ASLA çıkarmayın.

B1-1	Montaj Yuvası	B1-2	Montaj Kanalı
B1-3	Akü Çıkarma Düğmesi		

#### AC GÜÇ ADAPTÖRÜNÜ KULLANMA (DAHİL DEĞİLDİR)

AC güç adaptörü ürün teslimatına dahil değildir. PD protokolüne uygun ve 60W'tan büyük adaptör ve şarj kablosu güç adaptörü olarak kullanılabilir.

**NOT:** Yalnızca AC güç adaptörünü kullanırken, müziğin ses kalitesi ve ses seviyesi etkilenebilir.

Kauçuk kapağı açın ve AC güç adaptörünün fişini hoparlörün arkasındaki USB-C giriş/çıkışı bağlantı noktasına takın. Adaptörü standart bir elektrik prizine takın (Şek. C1).

Güç adaptörü bağlandığında, takılı akü takımı otomatik olarak şarj edilir. Şarj göstergesi sembolünün üzerindeki küçük nokta ışığı beyaz renkte yanıp söner. Akü takımı tamamen şarj olduğunda, küçük nokta ışığı sabit beyaz renkte yanar. Küçük nokta ışığı sabit kırmızı renkte yandığında, akü takımı arızalı demektir (Şek. C2).

AC güç adaptörü kullanılmadığı zaman elektrik prizinden çıkarılmalıdır.

**NOT:** AC güç adaptörü bağlıyken akü takımını ve USB-A çıkışı bağlantı noktasına bağlı cep telefonları, MP3 çalarlar gibi USB cihazları şarj edilebilir.

**DİKKAT:** Bağlantı noktalarını toz, kir ve nemden korumak için her kullanımdan sonra kauçuk kapağı mutlaka kapatın.

C1-1	AC Güç Adaptörü	C1-2	USB-C Giriş/Çıkışı Bağlantı Noktası
C1-3	Kauçuk Kapak	C2-1	Küçük Nokta
C2-2	Şarj Göstergesi		

#### HOPARLÖRÜ AÇMA VE KAPATMA (Şek. D)

Açma/Kapatma düğmesine kısa bir süre basın; hoparlör açılır. Açma/Kapatma düğmesi ışığı yanık kalır ve bir ses bağlantı kurulduğunu bildirir.

Hoparlörü kapatmak için Açma/Kapatma düğmesine kısa bir süre basın. Bir ses bağlantının kesildiğini bildirir.

**NOT:** müzik çalmıyorsa ya da USB-A veya USB-C bağlantı noktalarından çıkış yoksa hoparlör 20 dakika sonra otomatik olarak kapanır.

D-1	Açma/Kapatma Düğmesi
-----	----------------------

### BLUETOOTH® ÇALIŞMA MODU (Şek. E)

Hoparlörü açtıktan sonra Bluetooth® eşleştirme otomatik olarak açılır ve beyaz renkte yanıp sönen Bluetooth® düğmesi ile gösterilir.

- Bağlantı kurulacak cihazın (akıllı telefon veya benzeri) Bluetooth® işlevini etkinleştirin ve cihazınızdaki Bluetooth® bağlantısının hedefi olarak "EGO SK1800E" cihazını seçin.
- Bir ses bağlantı kurulduğunu bildirir ve Bluetooth® düğmesi bir cihaz başarıyla bağlandıktan sonra yanık kalır.

**NOT:** İstenen cihazla daha önce eşleştirildi ise hoparlör açıldığında aynı cihaza otomatik olarak yeniden bağlanır.

**NOT:** Hoparlörde aniden ses gelmiyorsa veya başka bir medya sesi çalıyorsa, bu durum, ikinci bağlanan cihazın hoparlörün kontrolünü devraldığı ve sessiz bir reklam açtığı veya bir şarkı çaldığı anlamına gelir.

Bluetooth® eşleştirme modu sadece 3 dakika boyunca etkin olur ve hiçbir cihaz bağlanmadığında/eşleştirilmediğinde otomatik olarak kapanır.

Bluetooth® düğmesine kısa bir süre basın, Bluetooth® düğmesi bir cihazın bağlantı kurabileceğini belirtmek için yanıp sönmeye başlar.

Hoparlöre Bluetooth® üzerinden aynı anda iki cihaz bağlanabilir.

- İlk cihaz bağlandıktan sonra yanıp sönmeye başlayana kadar Bluetooth® düğmesine basın.
- Bluetooth® düğmesi yanıp sönmeye başladığında ikinci cihazda "EGO SK1800E" seçimini yapın ve cihazı hoparlöre bağlayın. Bağlantı başarılı olduktan sonra ikinci cihazın bağlandığına dair sesi bir bildirim duyulur.

**NOT:** Bir çalma sorunu varsa hoparlörü yeniden başlatın.

**Bluetooth® cihazı bağlantısını kesmek için:** Bluetooth® düğmesini 2 saniyeden uzun süre basılı tutun veya cihazınızdan hoparlörün bağlantısını kesin.

E-1	Bluetooth® Düğmesi
-----	--------------------

### BİRDEN FAZLA SK1800E ÜNİTESİNİ BAĞLANTI KULLANARAK BAĞLAMAK İÇİN (Şek. F1, F2)

Bağlantı kullanılarak 100 adete kadar SK1800E hoparlör bağlanabilir.

Hoparlörleri açın ve hoparlörlerden birinin Bluetooth üzerinden bir cihaza bağlı olduğundan emin olun.

Cihaza bağlı hoparlör, "ana" ünite olarak işlev görür ve çalma işlemini (ses seviyesi, oynatma/duraklatma vb.) kontrol edebilir.

**NOT:** Ses seviyesi "ana" üniteye ayarlandığında, bağlı diğer hoparlörler hemen "ana" üniteyle aynı ses seviyesine ayarlanır.

"Ana" ünite ve ikincil hoparlördeki bağlantı düğmesini 2 saniyeden uzun süre basılı tutun. Bağlı hoparlör "ana" ünitenin müziğini çaldığında, iki hoparlör otomatik olarak birbirine bağlanmış olur.

**NOT:** Daha sonra üçüncü, dördüncü veya doksan dokuzuncu hoparlöre bağlanmak isterseniz, ek hoparlör(ler)deki Bağlantı düğmesine 2 saniyeden uzun süre basılı tutmanız yeterli olacaktır.

Açık alanda birbirine bağlı iki hoparlör arasındaki mesafe 40 metreyi geçemez.

Bağlantı sistemini ayırmak için "ana" ünitedeki bağlantı düğmesine 2 saniyeden uzun süre basılı tutun veya diğer hoparlörleri kısa bir süre kapatın.

Bağlantı düğmesi birden fazla hoparlörü bağlamanın yanı sıra solunum ışığını da kontrol edebilir. Solunum ışığını açmak veya kapatmak için Bağlantı Düğmesine basın. Müzik çalmadığında, solunum ışığı yavaş yavaş azalarak tamamen kapanır, ardından kademeli olarak maksimum parlaklığa geri döner.

F1-1	Bağlantı Düğmesi	F2-1	Solunum Işığı
------	------------------	------	---------------

### SES SEVİYESİNİ AYARLAMA (Şek. G)

Hoparlörde 16 ses seviyesi bulunur.

- Ses seviyesini azaltmak için "-" düğmesine bir kez basarak sesi bir kademe azaltabilirsiniz.
- Ses seviyesini kademeli olarak azaltmak için "-" düğmesini basılı tutun. Ses istediğiniz seviyeye geldiğinde "-" düğmesine basmayı bırakabilirsiniz.
- Ses seviyesini artırmak için "+" düğmesine bir kez basarak sesi bir kademe artırabilirsiniz.
- Ses seviyesini kademeli olarak artırmak için "+" düğmesini basılı tutun. Ses istediğiniz seviyeye geldiğinde "+" düğmesine basmayı bırakabilirsiniz.

TR

Ses seviyesi ayarı sadece hoparlör sesini değil aynı zamanda cihazın ses seviyesini de ayarlamanızı sağlar.

**NOT:** Ses seviyesi maksimuma ayarlandığında, maksimum ses seviyesine ulaşıldığını bildiren bir ses duyulur.

G-1	Sesi Kısmı ve Açma Düğmesi
-----	----------------------------

## OYNAT/DURAKLAT (Şek. H)

Müziği başlatmak veya duraklatmak için oynat/duraklat düğmesine basın.

Sonraki parçaya/dosyaya geçmek için oynat/duraklat düğmesine iki kez hızlıca basın.

H-1	Oynat/Duraklat Düğmesi
-----	------------------------

## BAS YÜKSELTME (Şek. I)

- Bası yükseltmek için bas yükseltme düğmesine basın. Bas yükseltme düğmesi, basın güçlendirildiğini belirtmek için yanık kalır.
- Bası normal seviyeye getirmek için bas yükseltme düğmesine tekrar basın. Bas yükseltme düğmesinin ışığı söner.

I-1	Bas Yükseltme Düğmesi
-----	-----------------------

## AUX ÇALIŞMA MODU (Şek. J)

Kauçuk kapağı açın, AUX kablosunu (ürüne dahil değildir) AUX bağlantı noktasına takın ve düzgün şekilde bağlandığından emin olun.

AUX kablosunun diğer ucuna harici müzik kaynağını (MP3 çalar veya benzeri) bağlayın.

Hoparlörü açın ve çalmayı başlatın.

Çalma bittiğinde, AUX kablosunu çıkarın.

**NOT:** Bağlı cihazların pilleri AUX bağlantısı üzerinden şarj edilemez.

**NOT:** Hoparlör kapatıldığında bağlı cihaz otomatik olarak kapanmaz.

J-1	AUX Bağlantı Noktası	J-2	USB-A Çıkışı Bağlantı Noktası
J-3	Kauçuk Kapak	J-4	USB-C Girişi/Çıkışı Bağlantı Noktası

## USB GÜÇ BAĞLANTI NOKTALARI (Şek. J)

Bir akü takımı takıldığında veya hoparlör bir AC güç adaptörüne bağlandığında ve hoparlör açıldığında, USB-A

çıkışı bağlantı noktası ve USB-C girişi/çıkışı bağlantı noktası cep telefonları, MP3 çalarlar gibi düşük güç tüketen cihazlara şarj gücü sağlar. Şarj etikten hemen sonra USB cihazının bağlantısını kesin.

**NOT:** USB-A çıkışı bağlantı noktası ses çalmak için kullanılamaz. Ses çalma yalnızca Bluetooth veya AUX bağlantısı üzerinden mümkündür.

**DİKKAT:** Bağlantı noktalarını toz, kir ve nemden korumak için her kullanımdan sonra kauçuk kapağı mutlaka kapatın.

## BAKIM

**⚠ UYARI:** Bakım yaparken sadece orijinal yedek parçaları kullanın. Diğer parçaların kullanılması tehlike oluşturabilir veya ürünün hasar görmesine neden olabilir. Emniyet ve güvenilirliği sağlamak için tüm tamir işleri yetkili bir servis teknisyeni tarafından yapılmalıdır.

**⚠ UYARI:** Ciddi yaralanmaları önlemek için temizlik veya bakım işlemi gerçekleştirirken aküyü her zaman üründen çıkarın.

## GENEL BAKIM

Plastik parçaları temizlerken çözücü maddeler kullanmaktan kaçının. Çoğu plastik malzeme, çeşitli ticari çözücü türlerinden etkilenmeye yatkındır ve bu çözücü maddelerin kullanılması durumunda zarar görebilir. Kir, toz, yağ, gres, vb. gidermek için temiz bez kullanın.

**⚠ UYARI:** Fren sıvıları, benzin, petrol bazlı ürünler, içe işleyen yağlar gibi maddelerin plastik parçalara temas etmesine kesinlikle izin vermeyin. Kimyasal maddeler plastik parçalara hasar verebilir, bu tür parçaları zayıflatabilir veya parçalayabilir ve bu durum ciddi yaralanmalara neden olabilir.

**⚠ UYARI:** Kısa devre nedeniyle yangın, yaralanma ve ürün hasarı riskini azaltmak için makinenizi, akü takımını veya şarj cihazını asla sıvıya batırmayın veya içlerine sıvı akmasına izin vermeyin. Deniz suyu, bazı endüstriyel kimyasallar ve ağartıcı veya ağartıcı içeren ürünler gibi aşındırıcı veya iletken sıvılar kısa devreye neden olabilir.

## DEPOLAMA

1. Akü takımını hoparlörden çıkarın.
2. Hoparlörden tüm yabancı maddeleri temizleyin.
3. Hoparlörü çocukların ulaşamayacağı kuru, iyi havalandırılmış bir yerde depolayın. Hoparlörü gübre, benzin veya diğer kimyasalların üzerinde veya yakınında saklamayın.



**ÇEVRE KORUMASI**

Elektrikli cihazları, kullanılmış aküleri ve şarj cihazını evsel atıklarla bertaraf etmeyin! Bu ürünü yetkili bir geri dönüşüm merkezine götürün ve ayrı bir şekilde toplanmasını sağlayın. Elektrikli aletler çevreyle uyumlu bir geri dönüşüm tesisine götürülmelidir.

## SORUN GİDERME

SORUN	NEDENİ	ÇÖZÜM
Hoparlör çalışmıyor.	<ul style="list-style-type: none"><li>■ Akü takımı, hoparlöre takılı değildir.</li><li>■ Hoparlör ve akü arasında elektrik teması yoktur.</li><li>■ Akü takımının şarjı boşalmıştır.</li><li>■ Akü çok sıcaktır.</li></ul>	<ul style="list-style-type: none"><li>■ Akü takımını hoparlöre takın.</li><li>■ Akü takımını çıkarın, temas noktalarını kontrol edin ve aküyü yeniden takın.</li><li>■ Akü takımını şarj edin.</li><li>■ Akü takımını sıcaklığı 67 °C'nin (152 °F) altına düşene kadar soğutun.</li></ul>
Hoparlör, bir Bluetooth cihazıyla düzgün şekilde eşleşemiyor.	<ul style="list-style-type: none"><li>■ Bluetooth eşleştirme aralığının dışındadır.</li></ul>	<ul style="list-style-type: none"><li>■ Cihazınızı hoparlöre yaklaştırın.</li></ul>

## GARANTİ

### EGO GARANTİ POLİTİKASI

EGO Garanti Politikasına ilişkin tüm hükümler ve koşullar için lütfen [egopowerplus.eu](http://egopowerplus.eu) adresindeki web sitesini ziyaret edin.

## LUGEGE KÕIKI JUHISEID!



LUGEGE KASUTUSJUHENDIT

**⚠ HOIATUS:** Turvalisuse ja vastupidavuse tagamiseks peab kõiki parandustöid läbi viima kvalifitseeritud hooldustehnik.

## OHUTUSSÜMBOLID

Ohutussümbolite eesmärk on pöörata tähelepanu võimalikele ohtudele. Ohutussümbolitele ja nende juures olevatele seletustele tuleb korralikult tähelepanu pöörata ja need endale selgeks teha. Ohutussümbolid iseenesest ei kõrvalda ohtu. Nendega kaasnevad juhendid ja hoiatused ei asenda asjakohaseid õnnetuste ennetamise meetmeid.

**⚠ HOIATUS:** Enne käesoleva masina kasutamist lugege kindlasti läbi ja tehke endale selgeks kõik kasutusjuhendis toodud ohutusjuhised, sh kõik ohutussümbolid, nagu „OHT“, „HOIATUS“ ja „ETTEVAATUST“. Kui allpool loetletud juhiseid ei järgita, võib tagajärjeks olla elektrilöökk, tulekahju ja/või rasked kehavigastused.

## OHUTUSJUHISED

Sel lehel on kujutatud ja kirjeldatud ohutussümboleid, mida võib käesolevalt tootelt leida. Enne, kui üritate masinat kokku panna ja kasutada, lugege, tehke omale selgeks ja järgige kõiki juhiseid.



Ohutusteade



Vigastusohu vähendamiseks peab kasutaja enne toote kasutamist kasutusjuhendit lugema.



Bluetooth®



Elektriseadmete jäätmeid ei tohi visata olmejäätmete hulka. Toimetage volitatud taaskäitluse ettevõttesse.



Toode vastab kohaldatavatele EÜ direktiividele.



UKCA vastavusmärgisega



Alalisvool

W Vatti

Hz Hertsi

m Meeter

V Pinge

kg Kilogramm

°C Celsius

mm Millimeeter

ET

## SEADME ÜLDISED OHUTUSHOIATUSED

**▲ HOIATUS: LUGEGE LÄBI KÕIK SEADMEGA KAASAS OLEVAD HOIATUSED, JUHISED, JOONISED JA ANDMED.** Alloodud juhiste eiramine võib põhjustada elektrilööki, tulekahju ja/või tõsiseid vigastusi.

## SÄILITAGE HOIATUSED JA JUHISED HILISEMAKS KASUTUSEKS.

### TÖÖPIIRKONNA OHUTUS

- Tööpiirkond peab olema puhas ja hästi valgustatud. Segamiini või pimedad alad võivad põhjustada õnnetusi.
- Ärge kasutage masinaid plahvatusohtlikus keskkonnas, kus leidub nt tuleohtlikke vedelikke, gaase või tolmu. Masinad tekitavad sädemeid, mis võivad süüdata tolmu või aursid.
- Elektritööriistadega töötamisel hoidke lapsed ja kõrvalised isikud eemal. Tähelepanu hajumisel võite kaotada kontrolli seadme üle.

### ELEKTRILINE OHUTUS

- Elektritööriistad tuleb ühendada sobivasse pistikupesasse. Ärge kunagi modifitseerige pistikut mitte mingil viisil. Ärge kasutage pistikuadaptoreid koos maandatud masinatega. Modifitseerimata pistikud ja sobivad pistikupesad vähendavad elektrilöögi ohtu.
- Vältige kehalist kontakti maandatud pindadega (nt torud, radiaatorid, katted, külmikud). Kui teie keha on maandatud, suureneb elektrilöögi oht.
- Ärge kahjustage juhet. Ärge kasutage juhet laadija kandmiseks või tõmbamiseks ja ärge tõmmake juhtmest, kui soovite pistikut pistikupesast eemaldada. Vältige juhtme kokkupuudet kuumade esemetega, õli, teravate servade või liikuvate osadega. Kahjustatud või puntras juhe suurendab elektrilöögi ohtu.
- Kui kasutate kõlarit välitingimustes, kasutage välitingimustes kasutamiseks sobivat pikendusjuhet. Välistingimustes kasutamiseks sobiva juhtme kasutamine vähendab elektrilöögi ohtu.
- Kui peate kindlasti seadet märjas kohas kasutama, kasutage toiteallikat, millel on rikkevoolukaitselüliti. Rikkevoolukaitselüliti kasutamine vähendab elektrilöögi ohtu.

### ISIKLIK OHUTUS

- Olge tähelepanelik, töötage hoolikalt ja kasutage tervet mõistust. Ärge kasutage seadet, kui olete väsinud, või rohtude, alkoholi või narkootikumide

mõju all. Isegi hetkeline tähelepanematus masina kasutamise ajal võib põhjustada tõsiseid vigastusi.

### MASINA KASUTAMINE JA HOOLDUS

- Hoidke käepidemed ja haardepinnad kuivad ja puhtad ning vältige neile õli ja rasva sattumist. Libedad käepidemed ja haardepinnad takistavad seadme ohutut kasutamist ning ootamatutes olukordades käsitsemist.

### AKUSEADME KASUTAMINE JA HOOLDUS

- Kasutage laadimiseks ainult tootja poolt ette nähtud laadureid. Akulaadija, mis sobib teatud tüüpi akuplokkide, võib põhjustada tulekahju ohtu, kui kasutada seda mõne teise akuplokkiga.
- Kasutage seadmeid ainult nende jaoks ette nähtud akuplokkidega. Mõne muu akuploki kasutamine võib põhjustada vigastus- ja tulekahjuohtu.
- Kui akut ei kasutata, hoidke seda eemal muudest metallesemetest nagu kirjaklambrid, mündid, võtmed, naelad, kruvid ja muud väikesed metallesemad, mis võivad klemmide vahel ühenduse luua. Akuklemmide lühiühendus võib põhjustada põletushaavu või tulekahju.
- Valedes tingimustes kasutamisel võib akut vedeliku välja tulla; vältige kokkupuudet sellega. Kokkupuute korral loputage veega. Kui vedelik satub silma, pöörduge lisaks ka arsti poole. Akust erituv vedelik võib põhjustada ärritust või põletusi.
- Ärge kasutage kahjustunud või modifitseeritud akuplokki või tööriista. Kahjustunud või modifitseeritud akud võivad toimida ettearvamatult, mille tagajärjeks võivad olla tulekahju, plahvatus või vigastuste oht.
- Vältige akuploki või tööriista kokkupuudet tule või liiga kõrge temperatuuriga. Kokkupuude lahtise tule või temperatuuriga üle 130 °C võib põhjustada plahvatuse.
- Järgige kõiki laadimisjuhiseid ja ärge laadige akuplokki või tööriista vale temperatuuri juures (vt juhiseid). Valesi või valel temperatuuril laadimine võib kahjustada akut ja suurendada tulekahjuohtu.

### TEENINDUS

- Laske oma tööriista hooldada kvalifitseeritud remonditehnikul, kes kasutab ainult identseid originaalvaruosi. See tagab tööriista ohutuse.
- Ärge kunagi hooldage kahjustunud akuplokke. Akuplokkide hooldust võib teostada ainult tootja või volitatud teeninduskeskus.

## OHUTUSHOIATUSED VÄLITINGIMUSTES KASUTATAVA BLUETOOTH-KÕLARI KOHTA

- Tulekahju või elektrilöögi ohu vähendamiseks ärge jätke seda seadet vihma või niiskuse kätte. Kasutage ainult kuivas kohas.
- Kasutage seda seadet ainult hästi ventileeritavas kohas.
- Lugege neid juhiseid.
- Võtke arvesse kõiki hoiatusi.
- Järgige kõiki juhiseid.
- Ärge kasutage seda seadet vee lähedal.
- Puhastage ainult kuiva lapiga.
- Ärge blokeerige mistahes ventilatsiooniavasid. Paigaldage vastavalt tootja juhistele.
- Ärge paigaldage seadet soojusallikate, nagu radiaatorid, küttekehad, ahjud või muud soojust tootvad seadmed (kaasa arvatud võimendid) lähedusse.
- Kasutage ainult tootja poolt ettenähtud lisaseadmeid/tarvikuid.
- Kasutage ainult tootja poolt ettenähtud või koos seadmega müüdava veokäru, statiivi, kolmjala, klambri või lauaga. Kui kasutate veokäru, olge veokäru/seadme kombinatsiooni liigutamisel ettevaatlik, et vältida ümberminekust tulenevaid vigastusi.
- Pöörduge mistahes hooldustööde tegemiseks kvalifitseeritud teeninduspersonalipoole. Hooldus on vajalik, kui seade on mingil viisil kahjustatud, nt toitejuhe või pistik on kahjustatud, seadmesse on sattunud vedelikke või kukkunud esemeid, seade on sattunud vihma või niiskuse kätte, ei tööta normaalselt või on maha kukkunud. Vastava kvalifikatsiooniga isiku tehtud hooldus- ja remonditööd suurendavad vigastuste ohtu.
- Akutoitel töötavat seadet, millel on integreeritud akud või eraldi aku, tohib laadida ainult aku jaoks ettenähtud laadijaga. Akulaadija, mis sobib teatud tüüpi akuplokile, võib põhjustada tulekahju ohu, kui seda kasutatakse mõne teise akuga.
- Ärge kunagi võtke seadet lahti ega proovige seadme elektrisüsteemi ümber ühendada.
- Hooldage seadet. Kontrollige, kas osad on korrektselt joondatud ja ükski osa ei ole kinni kiilunud ega katki ning jälgige ka muid aspekte, mis võiksid seadme tööd mõjutada. Kahjustuse korral laske seade enne kasutamist parandada. Kasutage seadet vastavalt käesolevale juhendile, võttes arvesse töötingimusi ja tehtavat tööd. Seadme

mittesihipärane kasutamine võib põhjustada ohtlikke olukordi.

- Hoidke seadet eemal muudest metallesemetest, nagu kirjaklambrid, mündid, võtmed, naelad, kruvid ja muud väikesed metallesemed, mis võivad klemmide vahel ühenduse luua. Klemmide lühiühendus võib põhjustada põletushaavu või tulekahju.
- Ärge kasutage maha kukkunud või tugeva löögi saanud seadet. Kahjustatud seade suurendab tulekahjuohtu.
- Visake kasutatud aku viivitamatult minema. Hoidke lastele kättesaamatus kohas. Ärge võtke lahti seda lahti ega visake tulle.
- Kasutage ainult täpsustatud akuplokke ja laadijaid.

**Hoidke need juhised alles.** Lugege juhendit sageli ning kasutage seda masinat kasutavate isikute väljaõpetamiseks. Kui te masinat kellelegi laenate, andke sellega kaasa ka käesolev kasutusjuhend, et vältida toote väärkasutamist ja võimalikke vigastusi.

## TEHNILISED ANDMED

Pinge	56 V
Vahelduvvoolu (AC) adapter	100-240 V~, 50/60 Hz
Väljundvõimsus	180 W
Võimendi väljundvõimsus	Bassikõlar: 80W x1
	Kõrgsageduskõlar: 10W x 2
	Keskmine: 40W x 2
AUX port	3,5 mm
USB-A väljund	5 V, 2 A
USB-C sisend/väljund	DC5V 3A / DC9V 3A / DC12V 3A / DC15V 3A / DC20V 5A
Bluetoothi® ulatus	> 55 m
Kaal (ilma akuplokita)	7,7 kg
Soovituslik töökeskkonna temperatuur	-15 °C kuni 40 °C
Soovituslik hoiustamise temperatuur	-20 °C kuni 70 °C
Kaitseklass	IP54* (Kaitse tolmu ja veepritsmete eest)

\* MÄRKUS: IP54 kaitseklass põhineb seadmel.

ET

## PAKENDI LOEND (JONIS A1)

### KIRJELDUS

#### TUNNE OMA VÄLTINGIMUSTES KASUTATAVAT BLUETOOTH-KÖLARIT (Joonis A1)

1. Käepide
2. Juhtpaneel
3. Akuvabastusnupp
4. Aeglaselt pulseeriv valgus
5. Kummikate
6. AUX port
7. USB-A väljundport
8. B-C sisend/väljund port
9. Laadimisindikaator
10. SEES/VÄLJAS nupp
11. Bluetooth-inupp
12. Linki nupp
13. Helitugevuse vähendamise nupp
14. Helitugevuse suurendamise nupp
15. Esitus-/pausinupp
16. Bassi tugevdamise nupp

### KASUTAMINE

#### RAKENDUSALAD

Seda toodet võib kasutada allpool loetletud eesmärkidel:

- Heli taasesitus juhtmevabalt või AUX-kaabli kaudu ühendatud seadmetest.

#### AKU PAIGALDAMINE/EEMALDAMINE

Kasutage ainult joonisel A2 esitatud EGO akuplokke ja laadureid.

Lisateavet leiate vastavatest akuplokkide ja laadijate kasutusjuhenditest.

**Enne esmakasutamist laadige täielikult täis.**

**MÄRKUS:** Heli signaal tuletab meelde, kui aku laetuse tase on madal.

#### Paigaldamine

Joondage aku ribad paigaldussoontega ja suruge aku alla kuni kuulete klõpsatust (Joonis B1).

#### Eemaldamine

Vajutage aku vabastusnuppu ja tõmmake aku välja (Joonis B2).

**⚠ HOIATUS:** Akuvabastusnuppu vajutades jälgige alati oma jalgade ning läheduses viibivate laste ja loomade asukohta. Aku kukkumine võib põhjustada raskeid vigastusi. Akut ei tohi KUNAGI eemaldada kõrges kohas viibides.

B1-1	Paigaldusava	B1-2	Ribi
B1-3	Akuvabastusnupp		

#### VAHELDUVVOOLUADAPTERI (EI KUULU KOMPLEKTI) KASUTAMINE

Vahelduvvooluadapter ei ole tarnimisel kaasas. PD-protokollile vastavat ja üle 60 W võimsusega adapterit ja laadimiskaablit saab kasutada toiteadapterina.

**MÄRKUS!** Kui kasutate ainult vahelduvvooluadapterit, võib see mõjutada muusika helikvaliteeti ja helitugevust.

Avage kummist kate ja sisestage vahelduvvooluadapteri pistik kõlari tagaküljel asuvasse USB-C sisend-/väljundporti. Ühendage adapter standardsesse pistikupesasse (Joonis C1).

Adapteri kasutamisel ühendatakse sisestatud aku automaatselt lahti. Väike märgutuli laadimisindikaatori sümboli kohal vilgub valgena. Kui aku on täielikult laetud, siis süttib väikemärgutuli pideva valgena. Kui väike märgutuli süttib pideva punasena, tähendab see seda, et aku on vigane (Joonis C2).

Vahelduvvoolu adapteri tuleb vooluvõrgust lahti ühendada, kui seda ei kasutata.

**MÄRKUS!** USB-A väljundporti ühendatud akut ja USB-seadmeid, nagu mobiiltelefonid, MP3-mängijad jne, saab laadida, kui vahelduvvooluadapter on ühendatud.

**MÄRKUS:** Pärast iga kasutamist sulgege alati kummist kate, et kaista porte tolmu, mustuse ja niiskuse eest.

C1-1	Vahelduvvoolu adapter	C1-2	B-C sisend/väljund port
C1-3	Kummikate	C2-1	Väike märgutuli
C2-2	Laadimisindikaator		

#### KÖLARI SISSE- JA VÄLJALÜLITAMINE (Joonis D)

Vajutage korra nuppu ON/OFF, kõlar lülitub sisse ja nupu ON/OFF tuli jääb põlema ning helisignaali teatab ühendamisest.

Kõlari väljalülitamiseks vajutage korra nuppu ON/OFF nuppu. Ühendamise katkestamisel kostub helisignaali.

ET

**MÄRKUS:** kõlar lülitub automaatselt välja 20 minuti pärast, kui muusikat ei mängita või kui USB-A või USB-C porte ei kasutata.

D-1	SEES/VÄLJAS nupp
-----	------------------

### BLUETOOTHi® TÖÖREŽIIM (Joonis E)

Pärast kõlari sisselülitamist lülitub Bluetooth® sidumine automaatselt sisse, mida näitab valge vilkuv Bluetooth®-nupp.

- Aktiveerige ühendatava seadme (mobiiltelefoni või muu sarnase seadme) Bluetooth® funktsioon ja valige Bluetooth® ühenduse sihtmärgiks „EGO SK1800E“.
- Pärast seadme edukat ühendamist kostub helisignaal ja Bluetooth®-nupp jääb põlema.

**MÄRKUS!** Kui kõlar on eelnevalt soovitud seadmega ühendatud, ühendub kõlar automaatselt uuesti sama seadmega, kui kõlar sisse lülitatakse.

**MÄRKUS!** Kui kõlaril kaob ootamatult heli või see esitab muud meediumiheli, tähendab see, et teine ühendatud seade on kõlari juhtimise üle võtnud ja kuvanud vaikse reklaami või loo esitamise.

Bluetooth®-sidumise režiim on aktiivne ainult 3 minutit ja lülitub automaatselt välja, kui ühtegi seadet ei ole ühendatud/seotud.

Vajutage korra Bluetooth®-nuppu. Bluetooth®-nupp hakkab vilkuma, mis näitab, et seadme saab ühendada.

Kõlariga saab Bluetooth® kaudu ühendada korraga kaks seadet.

- Pärast esimese seadme ühendamist vajutage Bluetooth®-nuppu, kuni see hakkab vilkuma.
- Kui Bluetooth® -nupp hakkab vilkuma, valige teises seadmes „EGO SK1800E“ ja ühendage see kõlariga. Pärast edukat ühendamist kostab hääletoone, et teine seade on ühendatud.

**MÄRKUS!** Kui taasesitusega on probleeme, taaskäivitage kõlar.

**Bluetooth®-i seadme lahtiühendamine:** Vajutage ja hoidke Bluetooth®-nuppu kauem kui 2 sekundit all või ühendage kõlar oma seadmes lahti.

E-1	Bluetooth®-i nupp
-----	-------------------

### MITME SK1800E SEADME ÜHENDAMINE LINGI ABIL (Joonis F1, F2)

Lingi abil saab ühendada kuni 100 SK1800E kõlarit.

Lülitage kõlarid sisse ja veenduge, et üks kõlaritest on

Bluetoothi kaudu seadmega ühendatud.

Seadmega ühendatud kõlar toimib „hostina“ ja saab juhtida taasesitust (helitugevus, taasesitus/pause jne).

**MÄRKUS!** Kui helitugevus on reguleeritud „hostis“, kohanduvad teised ühendatud kõlarid kohe samale helitugevuse tasemele kui „hostis“.

Vajutage ja hoidke lingi nuppu kauem kui 2 sekundit „hostil“ ja sekundaarsel kõlaril. Kui ühendatud kõlar mängib „hosti“ muusikat, tähendab see, et need kaks kõlarit on automaatselt omavahel seotud.

**MÄRKUS!** Kui soovite hiljem ühendada kolmanda, neljanda või üheksakümne üheksanda kõlariga, peate ainult vajutama ja hoidma lisakõlarite LINK-nuppu kauem kui 2 sekundit allavajutatuna.

Kahe ühendatud kõlari vaheline kaugus ei tohi avatud alal ületada 40 meetrit.

Vajutage ja hoidke üle 2 sekundi „host“ seadme lingi nuppu all või lülitage lühiajaliselt välja teised kõlarid, et LINK-süsteem lahti ühendada.

Lisaks mitme kõlari ühendamisele saab lingi nupuga juhtida ka aeglaselt pulseerivat valgust. Vajutage nuppu LINK, et lülitada sisse või välja aeglaselt pulseeriv valgus. Kui muusikat ei mängita, hämarduv aeglaselt pulseeriv valgus järk-järgult kuni täieliku väljalülitamiseni, seejärel taastub järk-järgult maksimaalne heledus.

F1-1	Linki nupp	F2-1	Aeglaselt pulseeriv valgus
------	------------	------	----------------------------

### HELITUGEVUSE SEADISTAMINE (Joonis G)

Kõlaril on 16 helitugevuse taset.

- Helitugevuse vähendamiseks vajutage üks kord nuppu „-“, et vähendada helitugevust ühe astme võrra.
- Vajutage ja hoidke all nuppu „-“, et vähendada helitugevust järk-järgult. Võite lõpetada nupu „-“ vajutamise, kui helitugevus jõuab soovitud helitugevuseni.
- Helitugevuse suurendamiseks vajutage üks kord nuppu „+“, et suurendada helitugevust ühe astme võrra.
- Vajutage ja hoidke all nuppu „+“, et suurendada helitugevust järk-järgult. Võite lõpetada nupu „+“ vajutamise, kui helitugevus jõuab soovitud helitugevuseni.

Helitugevuse reguleerimine ei reguleeri mitte ainult kõlari helitugevust, vaid ka seadme helitugevust.

**MÄRKUS:** Kui helitugevust reguleeritakse maksimaalselle tasemele, siis teatab helisignaal, et see on saavutanud maksimaalse helitugevuse.

ET

G-1	Helitugevuse vähendamise ja suurendamise nupp
-----	---

## ESITAMINE/PAUS (Joonis H)

Muusika käivitamiseks või peatamiseks vajutage esituse/ pausi nuppu.

Järgmise loo/faili juurde liikumiseks vajutage kaks korda kiiresti nuppu play/pause.

H-1	Esitus-/pausinupp
-----	-------------------

## BASSI TUGEVDAMINE (Joonis I)

- Bassi tugevdamiseks vajutage bassi tugevdamise nuppu. Nupp "Bass up" jääb põlema, et näidata, et bass on tugevdatud.
- Bassi normaalse taseme saavutamiseks vajutage uuesti nuppu „bass up“. „Bass up“ nupu tuli kustub.

I-1	Bassi tugevdamise nupp
-----	------------------------

## AUX TÕÖREŽIIM (Joonis J)

Avage kummist kate, sisestage AUX-kaabel (ei kuulu komplekti) AUX-porti ja veenduge, et see on korralikult ühendatud.

Ühendage väline muusikaallikas (MP3-mängija või muu sarnane) AUX-kaabli teise otsaga.

Lülitage kõlar sisse ja käivitage taasesitus.

Kui olete taasesituse lõpetanud, ühendage AUX-kaabel lahti.

**MÄRKUS!** Ühendatud seadmete akusid ei ole võimalik AUX ühenduse kaudu laadida.

**MÄRKUS!** Kui kõlar on välja lülitatud, ei lülitu ühendatud seade automaatselt välja.

J-1	AUX port	J-2	USB-A väljundport
J-3	Kummikate	J-4	B-C sisend/ väljund port

## USB TOITEPORDID (Joonis J)

Kui aku on paigaldatud või kõlar on ühendatud vahelduvvoolu adapteriga ja kõlar on sisse lülitatud, annavad USB väljundpordid ja USB-C sisend/väljund port laadimisvoolu vähese energiatarbega seadmetele, nagu mobiiltelefonid, MP3-mängijad jne. Ühendage USB-seade kohe pärast laadimist lahti.

**MÄRKUS!** USB-A väljundporti ei saa kasutada heli

taasesitamiseks. Heli on võimalik esitada ainult Bluetoothi või AUX-ühenduse kaudu.

**MÄRKUS:** Pärast iga kasutamist sulgege alati kummist kate, et kaitsta porte tolmu, mustuse ja niiskuse eest.

## HOOLDUS

**⚠ HOIATUS:** Hooldusel ja remontimisel kasutage vaid originaalvaruosi. Mis tahes muude osade kasutamine võib põhjustada ohtlikke olukordi või toodet vigastada. Turvalisuse ja vastupidavuse tagamiseks peab kõiki parandustöid läbi viima kvalifitseeritud hooldustehnik.

**⚠ HOIATUS:** Raskete kehavigastuste vältimiseks tuleb seadme puhastamise ja hooldamise ajaks alati aku seadmest eemaldada.

## ÜLDHOOLDUS

Vältige plastosade puhastamisel lahustite kasutamist. Enamik plastmaterjalidest on vastuvõtlikud müügil olevatest lahustitest tulenevatele kahjustustele. Kasutage mustuse, tolmu, õli, määrdet jms eemaldamiseks puhast lappi.

**⚠ HOIATUS:** Ärge kunagi laske pidurivedelikel, bensiinil, naftapõhistel toodetel, läbistavatel õlidel jne kokku puutuda plastosadega. Kemikaalid võivad plasti kahjustada, nõrgendada või hävitada, mille tagajärjeks võib olla raske kehavigastus.

**⚠ HOIATUS:** Tulekahju, kehavigastuste ja lühisest põhjustatud tootekahjustuste ohu vähendamiseks ärge kunagi kastke masinat, akuplokki või laadijat vedelikku ega laske vedelikul nende sisse voolata. Söövitavad või juhtivad vedelikud, nagu merevesi, teatud tööstuskemikaalid, pleegitus- või valgendusained sisaldavad tooted jms võivad põhjustada lühiühenduse.

## HOIUSTAMINE

1. Eemaldage kõlarilt aku.
2. Puhastage kõlarilt mistahes võõrmaterjal.
3. Hoidke kõlarit kuivas, hästiventileeritud ning lastele ligipääsmatus kohas. Ärge hoiustage kõlarit väetiste, bensiini või muude kemikaalide peal või lähedal.

## KESKKONNAKAITSE



Ärge visake elektriseadmeid, kasutatud akut ega laadurit olmeprügi hulka! Viige toode volitatud taaskäitleja juurde ja võimaldage selle komponendid sorteerituna kõrvaldada. Elektritööriistad tuleb viia keskkonnakaitsenõudeid järgivasse jäätmekäitluskeskusesse.

ET



## TÕRKEOTSING

PROBLEEM	PÕHJUS	LAHENDUS
Kõlar ei tööta.	<ul style="list-style-type: none"><li>■ Aku ei ole kõlariga ühendatud.</li><li>■ Kõlari ja aku vahel puudub elektriühendus.</li><li>■ Aku on tühi.</li><li>■ Aku on liiga kuum.</li></ul>	<ul style="list-style-type: none"><li>■ Kinnitage aku kõlari külge.</li><li>■ Eemaldage akuplokk, kontrollige ühendusi ja pange akuplokk tagasi.</li><li>■ Laadige akut.</li><li>■ Jahutage akut, kuni temperatuur langeb alla 67 °C (152 °F).</li></ul>
Kõlarit ei saa Bluetooth-seadmega korralikult siduda.	<ul style="list-style-type: none"><li>■ Seade on Bluetoothi sidumisulatuses väljas.</li></ul>	<ul style="list-style-type: none"><li>■ Viige seade kõlarile lähemale.</li></ul>

## GARANTII

### EGO GARANTIIPÕHIMÕTTED

Täielikud EGO garantiitingimused leiate veebilehelt [egopowerplus.eu](http://egopowerplus.eu).

## ПРОЧИТАЙТЕ ВСІ ІНСТРУКЦІЇ!



ПРОЧИТАЙТЕ ПОСІБНИК З ЕКСПЛУАТАЦІЇ

**⚠ ПОПЕРЕДЖЕННЯ.** Для гарантування безпеки та надійності всі ремонтні роботи повинен проводити кваліфікований технічний спеціаліст.

## СИМВОЛИ, ЩО СТОСУЮТЬСЯ БЕЗПЕКИ

Мета символів, пов'язаних із безпекою, – привернути вашу увагу до можливих небезпек. Символи безпеки та їхнє пояснення заслуговують на вашу пильну увагу та розуміння. Символи попереджень самі по собі не усувають будь-якої небезпеки. Інструкції та попередження, які вони надають, не замінюють належних заходів щодо запобігання аваріям.

**⚠ ПОПЕРЕДЖЕННЯ.** Перш ніж користуватися цією машиною, обов'язково ознайомтеся з усіма інструкціями з безпеки, наведеними в цьому посібнику користувача, зокрема з усіма символами попереджень, такими як «**НЕБЕЗПЕКА**», «**ПОПЕРЕДЖЕННЯ**» та «**ЗАСТЕРЕЖЕННЯ**». Недотримання наведених нижче вказівок може спричинити ураження електричним струмом, пожежу та/або серйозні травми.

## ПРАВИЛА ТЕХНІКИ БЕЗПЕКИ

На цій сторінці зображено та описано символи, пов'язані з безпекою, які можуть відображатися на цьому виробі. Перш ніж намагатися зібрати та експлуатувати його, ознайомтеся з усіма інструкціями на інструменті та дотримуйтеся їх.



Попередження щодо безпеки



Bluetooth®



Цей виріб відповідає чинним директивам ЄС.



Постійний струм

Гц Герци

В Напруга

°C Градуси Цельсія



З метою зменшення ризику отримання травм користувач повинен прочитати посібник з експлуатації.



Відходи електричних виробів не слід викидати разом із побутовим сміттям. Зверніться до авторизованого пункту переробки.



Оцінка відповідності у Великобританії

Вт Вати

м Метри

кг Кілограми

мм Міліметр

**UK**

## ЗАГАЛЬНІ ВКАЗІВКИ З ТЕХНІКИ БЕЗПЕКИ

**▲ ПОПЕРЕДЖЕННЯ. ПРОЧИТАЙТЕ ВСІ ПОПЕРЕДЖЕННЯ З БЕЗПЕКИ, ІНСТРУКЦІЇ, ІЛЮСТРАЦІЇ ТА ХАРАКТЕРИСТИКИ, НАДАНІ З ЦИМ ІНСТРУМЕНТОМ.** Недотримання наведених нижче інструкцій може спричинити ураження електричним струмом, пожежу та/або серйозні травми.

**ЗБЕРІГАЙТЕ ВСІ ПОПЕРЕДЖЕННЯ ТА ІНСТРУКЦІЇ ДЛЯ ВИКОРИСТАННЯ В МАЙБУТНЬОМУ.**

### БЕЗПЕКА В РОБОЧІЙ ЗОНІ

- **Робоче місце має бути чистим і гарно освітленим.** Неприбрана або погано освітлена робоча зона може стати причиною нещасного випадку.
- **Не працюйте з інструментом у вибухонебезпечному середовищі, наприклад за наявності легкозаймистих рідин, бензину або пилу.** Під час роботи інструмента утворюються іскри, від яких можуть зайнятися пил або випари.
- **Дітям і спостерігачам заборонено перебувати поруч з електроінструментом, що працює.** Це може відволікати вас і призвести до втрати контролю.

### ЕЛЕКТРОБЕЗПЕКА

- **Штепсельні вилки електроінструмента мають підходити до розеток.** Заборонено модифікувати вилку будь-яким чином. **Не використовуйте жодні перехідники для роботи із заземленими електроінструментами.** Використання штепселів і розеток, у які не вносилися зміни, зменшує ризик ураження електричним струмом.
- **Уникайте контакту частин тіла із заземленими поверхнями, такими як труби, батареї, плити й холодильники.** У разі заземлення тіла збільшується ризик ураження електричним струмом.
- **Поводьтесь обережно зі шнуром живлення. Ніколи не використовуйте шнур живлення для перенесення, перетягування або вимкнення інструмента.** Бережіть шнур живлення від джерел тепла, мастил, гострих країв та рухомих частин. Пошкоджені або заплутані шнури живлення підвищують ризик ураження електричним струмом.
- **Під час роботи з динаміком надворі використовуйте подовжувач, призначений для зовнішніх робіт.** Використання подовжувача, призначеного для зовнішніх робіт, зменшує ризик ураження електричним струмом.

- **Якщо роботи з інструментом у вологому середовищі не уникнути, скористайтеся вимикачем короткого замикання на землю.** Використання ВКЗ3 зменшує ризик ураження електричним струмом.

### ІНДИВІДУАЛЬНА ТЕХНІКА БЕЗПЕКИ

- **Під час роботи з інструментом будьте уважні, стежте за своїми діями та мисліть розсудливо.** Не працюйте з електроінструментом, якщо ви втомлені або перебуваєте під дією наркотичних речовин, алкоголю чи ліків. Навіть миттєва неухважність під час роботи з інструментом може призвести до серйозної травми.

### ВИКОРИСТАННЯ ТА ДОГЛЯД ЗА ІНСТРУМЕНТОМ

- **Підтримуйте ручки та захватні поверхні сухими, чистими, без жиру та бруду.** Слизькі ручки та захватні поверхні не дають змоги безпечно тримати та керувати інструментом у непередбачених ситуаціях.

### ВИКОРИСТАННЯ ТА ДОГЛЯД ЗА АКУМУЛЯТОРНИМ ІНСТРУМЕНТОМ

- **Заряджайте лише за допомогою зарядного пристрою, вказаного виробником.** Зарядний пристрій, який підходить для акумуляторів одного виду, може спричинити ризик пожежі у випадку його використання з іншим акумулятором.
- **З інструментом слід використовувати лише призначені для нього акумуляторні батареї.** Використання будь-яких інших акумуляторних батарей може призвести до травми або пожежі.
- **Коли акумулятор не використовується, його слід тримати окремо від металевих предметів – затискачів паперу, монет, ключів, цвяхів, шурупів та інших дрібних предметів, які можуть замкнути клеми.** Коротке замикання клем акумулятора може стати причиною опіків чи пожежі.
- **У надто важких умовах експлуатації з акумулятора може витікати рідина; не доторкайтесь до неї.** Якщо випадково ви все ж торкнулись її, слід промити це місце водою. Якщо рідина потрапила в очі, слід також звернутися до лікаря. Рідина, яка виступає з акумулятора, може спричинити подразнення або опіки.
- **Не використовуйте акумуляторну батарею або інструмент, які пошкоджені або змінені.** Пошкоджені або змінені акумулятори можуть мати непередбачувану поведінку, що може спричинити пожежу, вибух або ризик травмування.

UK

- Не піддавайте акумуляторну батарею або інструмент дії вогню або високих температур. Вогонь або температура вище 130 °C може спричинити вибух.
- Дотримуйтесь усіх інструкцій щодо зарядження та не заряджайте акумуляторну батарею або інструмент за межами температурного діапазону, зазначеного в інструкціях. Зарядження неналежним чином або при температурах за межами вказаного діапазону може пошкодити акумулятор і збільшити ризик виникнення пожежі.

## СЕРВІС

- Обслуговування інструмента повинен виконувати кваліфікований ремонтник з використанням лише ідентичних запасних частин. Це забезпечить надійну роботу інструмента.
- Ніколи не ремонтуйте пошкоджені акумулятори. Сервісне обслуговування акумуляторних батарей має виконувати лише виробник або авторизовані постачальники послуг.

## ПОПЕРЕДЖЕННЯ ЩОДО БЕЗПЕКИ ВИКОРИСТАННЯ ВЛУЕ00ТН-КОЛОНКИ НАДВОРІ

- Щоб зменшити ризик пожежі або ураження електричним струмом, не піддавайте цей пристрій дії дощу або вологи. Використовуйте тільки в сухому місці.
- Використовуйте цей пристрій лише в добре провітрюваному місці.
- Прочитайте цю інструкцію.
- Зверніть увагу на всі попередження.
- Дотримуйтеся всіх інструкцій.
- Не використовуйте цей пристрій поблизу води.
- Чистьте тільки сухою тканиною.
- Не блокуйте вентиляційні отвори. Установіть відповідно до інструкцій виробника.
- Не встановлюйте поблизу будь-яких джерел тепла, таких як радіатори, обігрівачі, печі чи інші пристрої (включно з підсилувачами), які виробляють тепло.
- Використовуйте лише насадки/аксесуари, зазначені виробником.
- Використовуйте тільки з візком, підставкою, штативом, кронштейном або столом, які вказані виробником або продаються разом із приладом. У разі використання візка будьте обережні під час переміщення приладу, щоб уникнути

травмування в результаті перекидання.

- Звертайтеся до кваліфікованого персоналу сервісного центру. Сервісне обслуговування необхідне, якщо пристрій було пошкоджено будь-яким чином, наприклад пошкоджено шнур живлення або вилку, пролито рідину або всередину пристрою потрапили сторонні предмети, пристрій потрапив під дощ або вологу, не працює належним чином чи впав. Ремонт або обслуговування, виконані некваліфікованим персоналом, можуть призвести до ризику травмування.
- Пристрій, що працює від батареї, має вбудовані батареї або окрему батарею, слід заряджати лише за допомогою зарядного пристрою, зазначеного для батареї. Зарядний пристрій, який може підходити для акумуляторів одного виду, може викликати ризик пожежі у випадку його використання з іншим акумулятором.
- Ніколи не розбирайте пристрій і не намагайтеся перемонтувати електричну систему пристрою.
- Підтримуйте прилад у належному стані. Перевіряйте його на предмет розладнання, а також будь-яких обставин, які можуть вплинути на роботу приладу. У разі пошкодження приладу відремонтуйте його перед використанням. Користуйтеся приладом згідно з цією інструкцією, зважаючи на робочі умови та роботу, яку слід виконати. Використання приладу не за призначенням може стати причиною виникнення небезпечних ситуацій.
- Тримайте пристрій подалі від інших металевих предметів, таких як канцелярські скріпки, монети, ключі, цвяхи, шурупи або інші маленькі металеві предмети, які можуть з'єднати одну клему з іншою. Коротке замикання клем може стати причиною опіків чи пожежі.
- Не використовуйте пристрій, який упав або отримав різкий удар. Використання пошкодженого приладу збільшує ризик виникнення пожежі.
- Негайно утилізуйте використаний акумулятор. Тримайте подалі від дітей. Не розбирайте та не кидайте у вогонь.
- Використовуйте тільки із зазначеними акумуляторними батареями та зарядними пристроями.

Збережіть цю інструкцію. Часто переглядайте та використовуйте їх, щоб навчати інших, хто може використовувати цей інструмент. Якщо ви надаєте комусь цю машину, надайте їм ці інструкції, щоб запобігти неналежному використанню виробу та можливим травмам.

## ТЕХНІЧНІ ХАРАКТЕРИСТИКИ

Напруга	56 В
Напруга адаптера змінного струму	100–240 В~ 50–60 Гц
Вихідна потужність	180 Вт
Вихідна потужність підсилювача	НЧ-динамік: 80 Вт x 1
	ВЧ-динамік: 10 Вт x 2
	Середньочастотний динамік: 40 Вт x 2
Порт AUX	3,5 мм
Вихід USB-A	5 В, 2 А
Вхід/вихід USB-C	5 В пост. струму 3 А / 9 В пост. струму 3 А / 12 В пост. струму 3 А / 15 В пост. струму 3 А / 20 В пост. струму 5 А
Дальність дії Bluetooth®	> 55 м
Вага (без акумулятора)	7,7 кг
Діапазон рекомендованих робочих температур	-15 °C ... +40 °C
Діапазон рекомендованих температур зберігання	-20 °C ... +70 °C
Рівень захисту від пилу та вологи	IP54* (захист від пилу та бризок води)

\* **ПРИМІТКА.** Клас захисту IP54 відповідає пристрою.

## ПАКУВАЛЬНИЙ СПИСОК (РИС. А1)

### ОПИС

#### ОЗНАЙОМЛЕННЯ З BLUETOOTH-КОЛОНКОЮ ДЛЯ ВИКОРИСТАННЯ НАДВОРІ (рис. А1)

1. Ручка
2. Панель керування
3. Кнопка звільнення акумулятора
4. Дихаюче світло

5. Гумова заглушка
6. Порт AUX
7. Вихід USB-A
8. Вхідний/вихідний порт USB-C
9. Індикатор заряджання
10. Кнопка живлення
11. Кнопка Bluetooth
12. Кнопка зв'язування
13. Кнопка зменшення гучності
14. Кнопка збільшення гучності
15. Кнопка відтворення/паузи
16. Кнопка підвищення рівня басів

## ЕКСПЛУАТАЦІЯ

### ЗАСТОСУВАННЯ

Ви можете використовувати цей виріб для цілей, перелічених нижче:

- Відтворення аудіо з пристроїв, підключених бездротовим способом або через кабель AUX.

### УСТАНОВЛЕННЯ І ВИДАЛЕННЯ АКУМУЛЯТОРА

Використовуйте лише акумулятори та зарядні пристрої EGO, перелічені на рис. А2.

Щоб отримати додаткові відомості, див. інструкції відповідних акумуляторів і зарядних пристроїв.

### Повністю зарядіть перед першим використанням.

**ПРИМІТКА.** Звуковий сигнал нагадає про низький рівень заряду акумуляторної батареї.

### Установлення

Вирівняйте виступи на акумуляторі з кріпильними отворами та натисніть на акумуляторну батарею, доки не почуєте «кляцання» (рис. В1).

### Від'єднання

Натисніть кнопку звільнення акумулятора та витягніть акумуляторну батарею (рис. В2).

**⚠ ПОПЕРЕДЖЕННЯ.** Завжди звертайте увагу на розташування своїх ніг, дітей або домашніх тварин, коли натискаєте кнопку звільнення батареї. Падіння акумулятора може призвести до серйозної травми. **НІКОЛИ** не виймайте акумулятор у високо розташованому місці.

B1-1	Кріпильний отвір	B1-2	Виступ
B1-3	Кнопка звільнення акумулятора		

## ВИКОРИСТАННЯ АДАПТЕРА ЖИВЛЕННЯ (НЕ ВХОДИТЬ У КОМПЛЕКТ)

Адаптер змінного струму не входить у комплект постачання. Як адаптер живлення можна використовувати адаптер і зарядний кабель, які відповідають протоколу PD і мають потужність більше 60 Вт.

**ПРИМІТКА.** Використання лише адаптера змінного струму може вплинути на якість звуку та гучність музики.

Відкрийте гумову кришку та вставте штекер адаптера змінного струму у вхідний/вихідний порт USB-C ззаду на колонці. Підключіть адаптер до стандартної розетки (рис. C1).

Щоразу, коли адаптер живлення під'єднано, вставлений акумулятор автоматично заряджається. Маленька крапка над символом індикатора заряджання блимає білим. Коли акумуляторна батарея буде повністю заряджена, маленька крапка світитиметься білим. Коли індикатор у вигляді маленької крапки горить червоним, це означає, що акумуляторна батарея несправна (рис. C2).

Адаптер змінного струму слід від'єднати від розетки, коли він не використовується.

**ПРИМІТКА.** Акумулятор і USB-пристрої, такі як стільникові телефони, MP3-плеєри тощо, під'єднані до вихідного порту USB-A, можна заряджати, коли підключено адаптер змінного струму.

**ПРИМІТКА.** Завжди закривайте гумову заглушку після кожного використання, щоб захистити порти від пилу, бруду та вологи.

C1-1	Адаптер живлення змінного струму	C1-2	Вхідний/ вихідний порт USB-C
C1-3	Гумова заглушка	C2-1	Маленька крапка
C2-2	Індикатор заряджання		

## УВІМКНЕННЯ ТА ВИМКНЕННЯ КОЛОНКИ (рис. D)

Коротко натисніть кнопку увімкнення/вимкнення, динамік увімкнеться, а індикатор кнопки увімкнення/вимкнення продовжуватиме світитися, а звук співістить про підключення.

Щоб вимкнути колонку, коротко натисніть кнопку увімкнення/вимкнення. Звук співістить про роз'єднання.

**ПРИМІТКА:** динамік автоматично вимкнеться через 20 хвилин, якщо не відтворюється музика або немає виходу через порти USB-A або USB-C.

D-1	Кнопка живлення
-----	-----------------

## РЕЖИМ РОБОТИ BLUETOOTH® (рис. E)

Після того як ви увімкнете колонку, з'єднання Bluetooth® автоматично увімкнеться, на що вказує біла кнопка Bluetooth®, що блимає.

- Увімкніть функцію Bluetooth® на пристрої, що підключається (смартфон або подібний пристрій), і виберіть «EGO SK1800E» як цільовий пристрій для з'єднання Bluetooth® на вашому пристрої.
- Звук співістить про підключення, а кнопка Bluetooth® продовжуватиме світитися після успішного підключення пристрою.

**ПРИМІТКА.** Якщо колонка сполучена з потрібним пристроєм, вона автоматично повторно під'єднається до того самого пристрою, коли його увімкне.

**ПРИМІТКА.** Якщо колонка раптом не відтворює звук або відтворює звук іншого медіафайлу, це означає, що другий підключений пристрій перехопив контроль над колонкою і показує беззвучну рекламу або відтворює пісню.

Режим сполучення Bluetooth® буде активним лише протягом 3 хвилин і автоматично вимкнеться, якщо жоден пристрій не під'єднано/не сполучено.

Коротко натисніть кнопку Bluetooth®, вона почне блимати, вказуючи на можливість підключення пристрою.

Два пристрої можна підключити до колонки через Bluetooth® одночасно.

- Після підключення першого пристрою натискайте кнопку Bluetooth®, доки вона не почне блимати.
- Коли кнопка Bluetooth® почне блимати, виберіть «EGO SK1800E» на другому пристрої та підключіть його до колонки. Після успішного підключення пролунає голосове повідомлення про підключення другого пристрою.

UK

**ПРИМІТКА.** Якщо виникла проблема з відтворенням, перезапустіть колонку.

**Щоб від'єднати пристрій Bluetooth®:** натисніть і утримуйте кнопку Bluetooth® більше 2 секунд або від'єднайте колонку від пристрою.

E-1	Кнопка Bluetooth®
-----	-------------------

### ПІДКЛЮЧЕННЯ КІЛЬКОХ ПРИСТРОЇВ SK1800E (рис. F1, F2)

Ви можете підключити до 100 колонок SK1800E.

Увімкніть колонки та переконайтеся, що одна з колонок підключена до пристрою через Bluetooth.

Підключена до пристрою колонка виконуватиме роль «головного» пристрою і зможе керувати відтворенням (гучність, відтворення/пауза тощо).

**ПРИМІТКА.** Щойно гучність відрегульовано на «головному» пристрої, інші підключені колонки негайно підлаштовуються до того ж рівня гучності, що й на «головному» пристрої.

Натисніть і утримуйте кнопку зв'язування більше 2 секунд на «головній» і додатковій колонках. Коли підключена колонка відтворює музику «головного» пристрою, це означає, що обидві колонки автоматично з'єднані між собою.

**ПРИМІТКА.** Якщо ви хочете підключитися до третьої, четвертої або дев'яноста дев'ятої колонки пізніше, вам потрібно лише натиснути й утримувати кнопку LINK більше 2 секунд на додатковій(-их) колонці(-ках).

Відстань між двома підключеними колонками не може перевищувати 40 метрів на відкритому полі.

Натисніть і утримуйте кнопку зв'язування більше 2 секунд на «головному» пристрої або короткочасно вимкніть інші колонки, щоб від'єднати систему LINK.

Окрім підключення кількох колонок, кнопка зв'язування також може керувати диханням світла. Натисніть кнопку LINK, щоб увімкнути або вимкнути дихання світла. Коли музика не відтворюється, світло, що блимає, поступово змінює до повного вимкнення, а потім поступово повертається до максимальної яскравості.

F1-1	Кнопка зв'язування	F2-1	Дихаюче світло
------	--------------------	------	----------------

### НАЛАШТУВАННЯ ГУЧНОСТІ (рис. G)

Колонка має 16 рівнів гучності.

- Щоб зменшити гучність, натисніть один раз кнопку «←» для зменшення гучності на один рівень.

- Натисніть і утримуйте кнопку «→», щоб поступово зменшити гучність. Ви можете припинити натискати кнопку «→», коли гучність досягне бажаного рівня.
- Щоб збільшити гучність, натисніть один раз кнопку «+» для збільшення гучності на один рівень.
- Натисніть і утримуйте кнопку «+», щоб поступово збільшити гучність. Ви можете припинити натискати кнопку «+», коли гучність досягне бажаного рівня.

За допомогою кнопок регулювання гучності можна не лише регулювати гучність динаміка, але й гучність на пристрої.

**ПРИМІТКА.** Коли гучність буде відрегульовано на максимум, звуковий сигнал сповістить про це.

G-1	Кнопка зменшення та збільшення гучності
-----	---

### ВІДТВОРЕННЯ/ПАУЗА (рис. H)

Натисніть кнопку відтворення/паузи, щоб почати або призупинити музику.

Двічі швидко натисніть кнопку відтворення/паузи, щоб перейти до наступної композиції/файлу.

H-1	Кнопка відтворення/паузи
-----	--------------------------

### ПІДВИЩЕННЯ РІВНЯ БАСІВ (рис. I)

- Натисніть кнопку підвищення рівня басів, щоб посилити басы. Кнопка підвищення рівня басів світитиметься, вказуючи на те, що басы підсилені.
- Щоб повернути басы до нормального рівня, знову натисніть кнопку підвищення рівня басів. Індикатор кнопки підвищення рівня басів згасне.

I-1	Кнопка підвищення рівня басів
-----	-------------------------------

### РЕЖИМ РОБОТИ AUX (рис. J)

Відкрийте гумову заглушку, вставте кабель AUX (не входить у комплект) у порт AUX і переконайтеся, що він правильно підключений.

Від'єднайте зовнішнє джерело музики (MP3-плеєр чи аналогічне) до іншого кінця кабелю AUX.

Увімкніть колонку й почніть відтворення.

Після завершення відтворення від'єднайте кабель AUX.

**ПРИМІТКА.** Акумулятори підключених пристроїв не можна заряджати через з'єднання AUX.

**UK**

**ПРИМІТКА.** Коли колонку вимкнено, підключений пристрій не вимикається автоматично.

J-1	Порт AUX	J-2	Вихід USB-A
J-3	Гумова заглушка	J-4	Вхідний/вихідний порт USB-C

## ПОРТИ ЖИВЛЕННЯ USB (рис. J)

Коли встановлено акумуляторну батарею або колонку підключено до адаптера змінного струму і ввімкнено, вихідний порт USB-A і вхідний/вихідний порт USB-C подаватимуть енергію для заряджання пристроїв із низьким енергоспоживанням, таких як мобільні телефони, MP3-плеєри тощо. Негайно від'єднайте USB-пристрій після заряджання.

**ПРИМІТКА.** Вихідний порт USB-A не можна використовувати для відтворення аудіо. Відтворення звуку можливе лише через підключення Bluetooth або AUX.

**ПРИМІТКА.** Завжди закривайте гумову заглушку після кожного використання, щоб захистити порти від пилу, бруду та вологи.

## ОБСЛУГОВУВАННЯ

**⚠ ПОПЕРЕДЖЕННЯ.** Використовуйте для технічного обслуговування лише ідентичні запчастини. Використання будь-яких інших частин створює небезпеку або може призвести до поломки виробу. Для гарантування безпеки та надійності всі ремонтні роботи повинні проводити кваліфікований технічний спеціаліст.

**⚠ ПОПЕРЕДЖЕННЯ.** Щоб уникнути серйозних травм, завжди виймайте акумулятор із виробу, перш ніж чистити або виконувати будь-яке технічне обслуговування.

## ЗАГАЛЬНИЙ ТЕХНІЧНИЙ ДОГЛЯД

Не використовуйте розчинники для очищення пластмасових деталей. Більшість пластмас чутливі до різноманітних промислових розчинників і можуть бути ними пошкоджені. Для видалення бруду, пилу, мастила тощо користуйтеся чистою ганчіркою.

**⚠ ПОПЕРЕДЖЕННЯ.** Ніколи не допускайте контакту пластмасових частин із гальмівною рідиною, бензином, нафтопродуктами, проникаючими оліями і т. ін. Хімікати можуть пошкодити, ослабити або зруйнувати пластмасу, а це загрожує серйозними травмами.

**⚠ ПОПЕРЕДЖЕННЯ.** Щоб зменшити ризик пожежі, травмування та пошкодження виробу через коротке замикання, ніколи не занурюйте пристрій, акумулятор або зарядний пристрій у рідину та не допускайте потрапляння рідини всередину. Корозійні або струмопровідні рідини, такі як морська вода, деякі промислові хімікати, відбілювач або продукти, що містять відбілювач тощо, можуть спричинити коротке замикання.

## ЗБЕРІГАННЯ

1. Вийміть акумуляторну батарею з колонки.
2. Видаліть усі сторонні матеріали з колонки.
3. Зберігайте колонку в сухому, добре вентильованому, недоступному для дітей місці. Не зберігайте колонку біля мінеральних добрив, бензину та інших хімікатів.

## ЗАХИСТ ДОВКІЛЛЯ



Не викидайте електричне обладнання, акумулятор і зарядний пристрій у побутові відходи! Віднесіть цей виріб авторизованому переробнику й надайте його для роздільного збирання. Електроінструменти необхідно повернути в підприємство, що займається екологічно безпечною переробкою.



## УСУНЕННЯ НЕСПРАВНОСТЕЙ

НЕСПРАВНІСТЬ	ПРИЧИНА	ВИРІШЕННЯ
Колонка не працює.	<ul style="list-style-type: none"> <li>■ Акумуляторна батарея не приєднана до колонки</li> <li>■ Немає електричного контакту між колонкою та акумулятором.</li> <li>■ Акумуляторна батарея розряджена.</li> <li>■ Акумулятор занадто гарячий.</li> </ul>	<ul style="list-style-type: none"> <li>■ Під'єднайте акумулятор до колонки.</li> <li>■ Вийміть акумуляторну батарею, перевірте контакти та знову встановіть акумуляторну батарею.</li> <li>■ Зарядіть акумуляторну батарею.</li> <li>■ Остудіть акумулятор, доки його температура не опуститься нижче 67 °C.</li> </ul>
Колонка не може належним чином з'єднатися з пристроєм Bluetooth.	<ul style="list-style-type: none"> <li>■ Поза межами дальності дії Bluetooth.</li> </ul>	<ul style="list-style-type: none"> <li>■ Перемістіть пристрій ближче до колонки.</li> </ul>

## ГАРАНТІЯ

### ПРАВИЛА ГАРАНТІЇ EGO

Відвідайте вебсайт [egopowerplus.eu](http://egopowerplus.eu) для отримання повного тексту умов гарантійної політики EGO.

## ПРОЧЕТЕТЕ ВСИЧКИ ИНСТРУКЦИИ!



ПРОЧЕТЕТЕ РЪКОВОДСТВОТО НА ОПЕРАТОРА

**⚠ ПРЕДУПРЕЖДЕНИЕ:** За да осигурите безопасността и надеждността, всички поправки трябва да се извършват от квалифициран сервизен техник.

## СИМВОЛИ ЗА БЕЗОПАСНОСТ

Целта на символите за безопасност е да привличат вниманието към възможни опасности. Символите за безопасност и обясненията към тях заслужават вашето повишено внимание и осъзнаване. Символите за безопасност сами по себе си не елиминират каквато и да е опасност. Инструкциите и предупрежденията, които предоставят не са заместители за подходящите мерки за предотвратяване на инцидент.

**⚠ ПРЕДУПРЕЖДЕНИЕ:** Уверете се, че сте прочели и разбрали всички инструкции за безопасност в това Ръководство на оператора, включително всички известяващи символи за безопасност, като „ОПАСНОСТ“, „ПРЕДУПРЕЖДЕНИЕ“ и „ВНИМАНИЕ“, преди да използвате тази машина. Неспазването на всички инструкции изброени долу може да доведе до електрически удар, пожар и/или сериозно нараняване.

## ИНСТРУКЦИИ ЗА БЕЗОПАСНОСТ

Тази страница изобразява и описва символите за безопасност, които може да се появят по този продукт. Прочетете, осъзнайте и следвайте всички инструкции по машината преди предприемане на сглобяване или работа.



Сигнал за безопасност



Bluetooth®



Този продукт е в съответствие с приложените директиви на ЕС.



Постоянен ток

Hz Херца

V Напрежение

°C Целзий



За намаляване на опасността от нараняване, потребителят трябва да прочете ръководството на оператора.



Отпадъчните електрически продукти не трябва да бъдат изхвърляни заедно с домакинския отпадък. Отнесете го до упълномощен пункт за рециклиране.



Оценено съответствие за Великобритания

W Вата

m Метър

kg Килограм

mm Милиметър

## УКАЗАНИЯ ЗА БЕЗОПАСНА РАБОТА С МАШИНАТА

**▲ ПРЕДУПРЕЖДЕНИЕ: ПРОЧЕТЕТЕ ВСИЧКИ ПРЕДУПРЕЖДЕНИЯ ЗА БЕЗОПАСНОСТ, ИНСТРУКЦИИ, ИЛЮСТРАЦИИ И СПЕЦИФИКАЦИИ ПРЕДОСТАВЕНИ С ТАЗИ МАШИНА.** Неспазването на всички инструкции изброени долу може да доведе до токов удар, пожар и/или сериозно нараняване.

### ЗАПАЗЕТЕ ВСИЧКИ ПРЕДУПРЕЖДЕНИЯ И ИНСТРУКЦИИ ЗА БЪДЕЩА СПРАВКА.

#### БЕЗОПАСНОСТ В РАБОТНАТА ЗОНА

- Поддържайте работната зона чиста и добре осветена. Разхвърляни или тъмни работни зони пораждат инциденти.
- Не работете с машини в експлозивна атмосфера, като например в присъствието на запалими течности, бензин или прах. Машините създават искри, които могат да възпламенят прах или изпарения.
- Дръжте на разстояние децата и страничните лица, докато работите с машина. Разсейването може да причини загуба на контрол.

#### ЕЛЕКТРИЧЕСКА БЕЗОПАСНОСТ

- Щепселите на машината трябва да съответстват на контакта. Никога не модифицирайте щепсела по какъвто и да е начин. Не използвайте какъвто и да е адаптер със заземени (замасени) машини. Немодифицираните щепсели и съответстващите контакти ще намалят риска от електрически шок.
- Избягвайте контакт на тялото със заземени повърхности, като тръби, радиатори, кухненски пещки и хладилници. Съществува повишена опасност от токов удар, ако тялото Ви е заземено.
- Не злоупотребявайте с кабела. Никога не използвайте кабела за пренасяне, изтегляне или изключване от контакта на машината. Дръжте кабела настрана от топлина, масло, остри ръбове или движещи се части. Повредени или оплетени кабели увеличават риска от електрически удар.
- Когато работите с високоговорителя на открито, използвайте удължителен кабел подходящ за употреба на открито. Употребата на кабел подходящ за употреба на открито намалява риска от електрически удар.
- Ако работата с машината на влажно място е неизбежна, използвайте захранване със

защитен прекъсвач на веригата при неизправно заземяване (GFCI). Употребата на GFCI намалява риска от електрически удар.

#### ЛИЧНА БЕЗОПАСНОСТ

- Внимавайте, гледайте какво правите и използвайте здрав разум, когато работите с машина. Не използвайте машината, когато сте уморени или когато сте под влияние на наркотици, алкохол или лекарства. Момент невнимание по време на работата с машини може да доведе до сериозно нараняване.

#### ИЗПОЛЗВАНЕ И ГРИЖА ЗА МАШИНАТА

- Дръжте ръкохватките и повърхностите за захващане сухи, чисти и без масло и грес. Хлъзгавите ръкохватки и места за захващане не позволяват безопасно боравене и контролиране на машината при неочаквана ситуация.

#### ИЗПОЛЗВАНЕ И ГРИЖА ЗА АКУМУЛАТОРНАТА МАШИНА

- Презареждайте само със зарядното устройство определено от производителя. Зарядно устройство, което е подходящо за един вид акумулаторна батерия може да създаде опасност от пожар, когато се използва с друга акумулаторна батерия.
- Използвайте машините само със специфично обозначени акумулаторни батерии. Използването на всяка друга акумулаторна батерия може да създаде риск от нараняване и пожар.
- Когато акумулаторните батерии не са в употреба ги дръжте на разстояние от други метални обекти, като кламери, монети, ключове, пирони, отвертки или други малки метални предмети, които могат да направят свързване между клемите. Свързване на късо на клемите на батерията може да причини изгаряне или пожар.
- При условия на злоупотреба, може да се изхвърли течност от батерията. Избягвайте контакт. В случай на инцидентен контакт измийте с вода. Ако течността влезе в контакт с очите, потърсете допълнително медицинска помощ. Течността изхвърлена от батерията може да причини раздразнение или изгаряния.
- Не използвайте акумулаторна батерия или машина, които са повредени или модифицирани. Повредените или модифицираните батерии може да проявят непредсказуемо поведение, което да доведе до пожар, експлозия или риск от нараняване.
- Не излагайте батерията или машината на огън

или прекомерна температура. Излагане на огън или температура над 130 °C може да причини експлозия.

- Следвайте всички инструкции за зареждане и не зареждайте батерията или машината извън температурния обхват зададен в инструкциите. Неправилното зареждане или зареждане извън определения температурен обхват може да повреди батерията и да повиши риска от пожар.

## ОБСЛУЖВАНЕ

- Обслужвайте вашата машина чрез квалифициран техник, като използвате само идентични резервни части. Това ще осигури поддържането на безопасност за машината.
- Никога не поправяйте повредени акумулаторни батерии. Ремонтът на акумулаторни батерии трябва да бъде извършван от производителя или оторизиран сервиз.

## ПРЕДУПРЕЖДЕНИЯ ЗА БЕЗОПАСНОСТ ЗА ВЪНШНИЯ BLUETOOTH ВИСОКОГОВОРИТЕЛ

- За да намалите риска от пожар или токов удар, не излагайте този апарат на дъжд или влага. Използвайте само на сухо място.
- Работете с този апарат само на добре проветриво място.
- Прочетете тези инструкции.
- Обърнете внимание на всички предупреждения.
- Следвайте всички инструкции.
- Не използвайте този апарат в близост до вода.
- Почиствайте само със суха кърпа.
- Не блокирайте вентилационните отвори. Инсталирайте в съответствие с инструкциите на производителя.
- Не инсталирайте апарата в близост до източници на топлина, като радиатори, топлинни камери, печки или други апарати (включително усилватели), които произвеждат топлина.
- Използвайте само приставки/аксесоари, посочени от производителя.
- Използвайте само с количката, стойката, статива, скобата или масата, посочени от производителя или продавани заедно с апарата. Когато се използва количка, внимавайте при преместването на комбинацията количка/апарат, за да избегнете нараняване при преобръщане.
- Обръщайте се към квалифициран сервизен персонал. Сервизно обслужване е необходимо,

когато апаратът е бил повреден по някакъв начин, например кабелът за захранване или щепселът са повредени, разлята е течност или в апарата са попаднали предмети, апаратът е бил изложен на дъжд или влага, не работи нормално или е бил изпуснат. Обслужване или поддръжка извършени от неквалифициран персонал може да създаде риск от нараняване.

- Апарат, работещ на батерии, с вградени батерии или отделен комплект батерии трябва да се зарежда само с определеното за батерията зарядно устройство. Зарядно устройство, което е подходящо за един тип акумулаторна батерия, може да създаде риск от пожар, когато се използва с друга акумулаторна батерия.
- Никога не разглобявайте апарата и не се опитвайте да преправяте електрическата система на апарата.
- Поддържайте апарата. Проверете за разместване, счупване на части, и всякакви други условия, които могат да повлияят на работата на апарата. Ако апаратът е повреден, поправете го преди употреба. Използвайте апарата в съответствие с тези инструкции, като вземете предвид условията на работа и вида работа, която ще бъде извършвана. Употребата на апарата за дейности различни от предназначенията може да доведе до опасни ситуации.
- Дръжте апарата далеч от други метални предмети, като например кламери, монети, ключове, пирони, винтове или други малки метални предмети, които могат да направят връзка от една клемма към друга. Свързване на късо на клемите може да причини изгаряне или пожар.
- Не използвайте апарата, ако е изпускан или е претърпял силен удар. Повреденият апарат увеличава риска от пожар.
- Изхвърлете незабавно използваната батерия. Дръжте настрана от деца. Не разглобявайте и не изхвърляйте в огъня.
- Използвайте само с посочените акумулаторни батерии и зарядни устройства.

Запазете тези инструкции. Обръщайте се често към тях и ги използвайте за инструктиране на други, които може да използват тази машина. Ако заемете тази машина на някого, заемете им и тези инструкции, за да се предотврати злоупотреба с продукта и евентуално нараняване.

## СПЕЦИФИКАЦИИ

Напрежение	56 V
Напрежение за адаптера за променлив ток	100-240 V~, 50/60 Hz
Изходна мощност	180 W
Изходна мощност на усилвателя	Нискочестотен високоговорител: 80W x1
	Високочестотен високоговорител: 10W x 2
	Средни честоти: 40W x 2
AUX порт	3,5 mm
USB-A изход	5 V, 2 A
USB-C вход/изход	DC5V 3A / DC9V 3A / DC12V 3A / DC15V 3A / DC20V 5A
Обхват на Bluetooth®	> 55 м
Тегло (без акумулаторна батерия)	7,7 кг
Препоръчителна работна температура	-15°C - 40°C
Препоръчителна температура на съхранение	-20°C - 70°C
Степен на защита от проникване на вода	IP54* (Защита от прах и водни пръски)

\* **ЗАБЕЛЕЖКА:** Степента на защита IP54 се определя от апарата.

## ОПАКОВЪЧЕН ЛИСТ (ФИГ. А1)

### ОПИСАНИЕ

#### ОПОЗНАЙТЕ ВЪНШНИЯ СИ ВИСОКОГОВОРИТЕЛ BLUETOOTH (Фиг. А1)

1. Ръкохватка
2. Контролен панел
3. Бутон за освобождаване на батерията
4. Дишаща светлина

5. Гумен капак
6. AUX порт
7. Изходен порт USB-A
8. Изходен/входен порт USB-C
9. Индикатор за зареждането
10. Бутон за включване/изключване
11. Бутон Bluetooth
12. Бутон за връзка
13. Бутон за намаляване на звука
14. Бутон за увеличаване на звука
15. Бутон за възпроизвеждане/пауза
16. Бутон за увеличаване на баса

## ЕКСПЛОАТАЦИЯ

### ПРИЛОЖЕНИЕ

Може да използвате този продукт за целите описани долу:

- Възпроизвеждане на звук от устройства, свързани безжично или чрез кабел AUX.

### МОНТИРАНЕ/ИЗВАЖДАНЕ НА АКУМУЛАТОРНАТА БАТЕРИЯ

Използвайте единствено акумулаторни батерии EGO и зарядни устройства изброени във Фиг. А2.

Обърнете се към съответните ръководства за батерии и зарядни устройства за повече подробности.

### Заредете напълно преди първата употреба.

**БЕЛЕЖКА:** Звук ще напомни, когато зарядът на акумулаторната батерия е нисък.

### За да закрепите

Подравнете ребрата на акумулаторната батерия с монтажните жлебове и натиснете батерията надолу, докато чуете „щракване“ (Фиг. В1).

### За да извадите

Натиснете бутона за освобождаване на батерията и издърпайте акумулаторната батерия навън (Фиг. В2).

**⚠ ПРЕДУПРЕЖДЕНИЕ:** Винаги обръщайте внимание на местоположението на краката си, деца или домашни любимци, когато бутона за освобождаване на акумулаторната батерия. Може да възникне сериозно нараняване, ако батерията падне. НИКОГА не премахвайте батерията, когато сте на високо място.

B1-1	Монтажен отвор	B1-2	Ребро
B1-3	Бутон за освобождаване на батерията		

## ИЗПОЛЗВАНЕ НА АДАПТЕР ЗА ПРОМЕНЛИВ ТОК (НЕ Е ВКЛЮЧЕН В КОМПЛЕКТА)

Адаптерът за променлив ток не е включен при доставката. Адаптер и заряден кабел, които отговарят на протокола PD и са с мощност над 60 W, могат да се използват като захранващ адаптер.

**БЕЛЕЖКА:** Когато използвате само адаптера за променлив ток, качеството на звука и силата на музиката могат да бъдат засегнати.

Отворете гумения капак и поставете щепсела на адаптера за променлив ток в изходния/входния порт USB-C на гърба на високоговорителя. Включете адаптера в стандартен контакт (Фиг. C1).

Всеки път, когато е свързан адаптерът, поставената акумулаторна батерия автоматично се зарежда. Малката светлинна точка над символа на индикатора за зареждането ще мига в бяло. Когато акумулаторната батерия е напълно заредена, малката точка ще свети в бяло. Когато малката точка свети в червено, това означава, че акумулаторната батерия е повредена (Фиг. C2).

Захранващият адаптер за променлив ток трябва да бъде изваден от електрическия контакт, когато не се използва.

**БЕЛЕЖКА:** Акумулаторната батерия и USB устройства, като мобилни телефони, MP3 плейъри и т.н., свързани към USB-A изходен порт, могат да се зареждат, когато е свързан захранващият адаптер за променлив ток.

**БЕЛЕЖКА:** Винаги затваряйте гумения капак след всяка употреба, за да предпазите портовете от прах, замърсявания и влага.

C1-1	Захранващ адаптер за променлив ток	C1-2	Изходен/входен порт USB-C
C1-3	Гумен капак	C2-1	Малка точка
C2-2	Индикатор за зареждането		

## ВКЛЮЧВАНЕ И ИЗКЛЮЧВАНЕ НА ВИСОКОГОВОРИТЕЛЯ (Фиг. D)

Натиснете за кратко бутона за включване/изключване, високоговорителят ще се включи, а индикаторът на бутона за включване/изключване ще остане осветен и звук ще съобщи за свързването.

За да изключите високоговорителя, натиснете отново бутона ВКЛ./ИЗКЛ. Прекъсването на връзката ще бъде оповестено със звуков сигнал.

**ЗАБЕЛЕЖКА:** високоговорителят ще се изключи автоматично след 20 минути, ако не се възпроизвежда музика или няма изход от портовете USB-A или USB-C.

D-1	Бутон за включване/изключване
-----	-------------------------------

## РЕЖИМ НА РАБОТА С BLUETOOTH® OPERATING MODE (Фиг. E)

След като включите високоговорителя, сдвояването с Bluetooth® ще се включи автоматично, което се обозначава от мигация в бяло бутон Bluetooth®.

- Активирайте функцията Bluetooth® на устройството, което трябва да бъде свързано (смартфон или подобно), и изберете „EGO SK1800E“ като цел на Bluetooth® връзката на вашето устройство.
- След успешно свързване на устройството ще се чуе звук, а бутонът Bluetooth® ще остане осветен.

**БЕЛЕЖКА:** Ако преди това е бил сдвоена с желаното устройство, високоговорителят автоматично ще се свърже отново със същото устройство, когато високоговорителят бъде включен.

**БЕЛЕЖКА:** Ако високоговорителят изведнъж няма звук или възпроизвежда друг звук, това означава, че второто свързано устройство е поело управлението на високоговорителя и е пуснало тиха реклама или песен.

Режимът на Bluetooth® сдвояване ще бъде активен само за 3 минути и ще се изключи автоматично, ако не е свързано/сдвоено устройство.

Натиснете за кратко бутона Bluetooth®, бутонът Bluetooth® започва да мига, за да покаже, че може да се свърже устройство.

Две устройства могат да бъдат свързани към високоговорителя чрез Bluetooth® едновременно.

- След като първото устройство е свързано, натиснете бутона Bluetooth®, докато започне да мига.

- След като бутонът Bluetooth® започне да мига, изберете „EGO SK1800E“ на второто устройство и го свържете с високоговорителя. След като връзката е успешна, ще се чуе гласово съобщение, че второто устройство е свързано.

**БЕЛЕЖКА:** Ако има проблем с възпроизвеждането, рестартирайте високоговорителя.

#### За прекъсване на връзката с Bluetooth® устройството:

Натиснете и задръжте бутона Bluetooth® за повече от 2 секунди или изключете високоговорителя на устройството си.

E-1	Бутон Bluetooth®
-----	------------------

#### ЗА СВЪРЗВАНЕ НА МНОЖЕСТВО УСТРОЙСТВА SK1800E, ИЗПОЛЗВАЙКИ ВРЪЗКА (Фиг. F1, F2)

Чрез връзката могат да се свържат до 100 броя високоговорители SK1800E.

Включете високоговорителите и се уверете, че един от високоговорителите е свързан с устройство чрез Bluetooth.

Свързаният към устройството високоговорител ще действа като „хост“ устройство и ще може да управлява възпроизвеждането (сила на звука, възпроизвеждане/пауза и т.н.).

**БЕЛЕЖКА:** След като се регулира силата на звука на „хост“ устройството, другите свързани високоговорители незабавно се настройват на същото ниво на звука като „хост“ устройството.

Натиснете и задръжте бутона за свързване за повече от 2 секунди на „хоста“ и вторичния високоговорител. Когато свързаният високоговорител възпроизвежда музиката на устройството „хост“, това означава, че двата високоговорителя са автоматично свързани помежду си.

**БЕЛЕЖКА:** Ако искате да се свържете с третия, четвъртия или деветдесет и деветия високоговорител по-късно, трябва само да натиснете и задръжите бутона LINK за повече от 2 секунди на допълнителния(те) високоговорител(и).

Разстоянието между двата свързани високоговорителя не може да надвишава 40 метра в открито поле.

Натиснете и задръжте бутона за свързване за повече от 2 секунди на „хост“ устройство или изключете за кратко другите високоговорители, за да прекъснете връзката със системата LINK.

Освен за свързване на няколко високоговорителя, бутонът за свързване може да контролира и дишащата светлина. Натиснете бутона LINK, за да включите или изключите дишащата светлина. Когато не се възпроизвежда музика, дишащата светлина постепенно ще намалее до пълно изключване, след което постепенно ще се върне към максимална яркост.

F1-1	Бутон за връзка	F2-1	Дишаща светлина
------	-----------------	------	-----------------

#### НАСТРОЙКАНА СИЛАТА НА ЗВУКА (Фиг. G)

Високоговорителят разполага с 16 нива на сила на звука.

- За да намалите силата на звука, натиснете веднъж бутона „-“, за да намалите силата на звука с едно ниво.
- Натиснете и задръжте бутона „-“, за да намалите постепенно силата на звука. Можете да спрете да натискате бутона „-“, когато силата на звука достигне желаната от вас стойност.
- За да увеличите силата на звука, натиснете веднъж бутона „+“, за да увеличите силата на звука с едно ниво.
- Натиснете и задръжте бутона „+“, за да увеличите постепенно силата на звука. Можете да спрете да натискате бутона „+“, когато силата на звука достигне желаната от вас стойност.

Регулирането на силата на звука може не само да регулира силата на звука на високоговорителя, но и да регулира силата на звука на устройството.

**БЕЛЕЖКА:** Когато силата на звука се регулира на максимум, звук ще съобщи, че е достигната максималната сила на звука.

G-1	Бутон за намаляване и увеличаване на звука
-----	--

#### ВЪЗПРОИЗВЕЖДАНЕ/ПАУЗА (Фиг. H)

За стартиране или пауза на музиката натиснете бутона възпроизвеждане/пауза.

Натиснете бутона за възпроизвеждане/пауза два пъти бързо, за да преминете към следващата песен/файл.

H-1	Бутон за възпроизвеждане/пауза
-----	--------------------------------

#### УВЕЛИЧАВАНЕ НА БАСИТЕ (Фиг. I)

- Натиснете бутона за увеличаване на басите, за да усилите басите. Бутонът за увеличаване на басите ще остане осветен, за да покаже, че басът е усилен.

- Натиснете отново бутона за увеличаване на басите, за да върнете нормалното ниво на басите. Светлинният индикатор на бутона за увеличаване на басите ще се изключи.

I-1	Бутон за увеличаване на баса
-----	------------------------------

## РЕЖИМ НА РАБОТА ПРИ AUX (Фиг. J)

Отворете гумения капак, поставете кабела AUX (не е включен в комплекта) в порта AUX и се уверете, че е правилно свързан.

Свържете външния източник на музика (MP3 плейър или подобен) към другия край на кабела AUX.

Включете високоговорителя и стартирайте възпроизвеждането.

След приключване на възпроизвеждането разкачете кабела AUX.

**БЕЛЕЖКА:** Батериите на свързаните устройства не могат да се зареждат чрез AUX връзка.

**БЕЛЕЖКА:** Когато високоговорителят бъде изключен, свързаното устройство не се изключва автоматично.

J-1	AUX порт	J-2	Изходен порт USB-A
J-3	Гумен капак	J-4	Изходен/входен порт USB-C

## ПОРТОВЕ ЗА ЗАХРАНВАНЕ USB (Фиг. J)

Когато е инсталирана акумулаторна батерия или високоговорителят е свързан към адаптер за променлив ток и е включен, изходният порт USB-A и входният/изходният порт USB-C ще осигурят захранване за зареждане на устройства с ниска консумация на енергия, като например мобилни телефони, MP3 плейъри и др. Веднага изключете USB устройството след зареждане.

**БЕЛЕЖКА:** Изходният порт USB-A не може да се използва за възпроизвеждане на аудио. Възпроизвеждането на звук е възможно само чрез Bluetooth или AUX връзка.

**БЕЛЕЖКА:** Винаги затваряйте гумения капак след всяка употреба, за да предпазите портовете от прах, замърсявания и влага.

## ПОДДРЪЖКА

**⚠ ПРЕДУПРЕЖДЕНИЕ:** Когато обслужвате, използвайте само идентични резервни части. Употребата на каквито и да е други части може да създаде опасност или да предизвика повреда на продукта. За да осигурите безопасността и надеждността, всички поправки трябва да се извършват от квалифициран сервизен техник.

**⚠ ПРЕДУПРЕЖДЕНИЕ:** За да избегнете нараняване, винаги сменяйте батерията от продукта, когато почиствате или извършвате поддръжка.

## ОБЩА ПОДДРЪЖКА

Избягвайте употребата на разтворители, когато почиствате пластмасовите части. Повечето пластмасови части са уязвими на повреда от различни видове разтворители в търговската мрежа и може да се повредят от тяхната употреба. Използвайте чиста кърпа за премахване на мръсотия, прах, масло, грес и т.н.

**⚠ ПРЕДУПРЕЖДЕНИЕ:** Никога не допускайте спирачна течност, бензин, петролни продукти, проникващи масла и т.н. да влизат в контакт с пластмасовите части. Химикалите могат да повредят, отслабят или разрушат пластмасата, което може да доведе сериозно нараняване.

**⚠ ПРЕДУПРЕЖДЕНИЕ:** За да намалите риска от пожар, нараняване и повреда на продукта поради късо съединение, никога не потапяйте вашата машина, акумулаторна батерия или зарядно устройство в течност и не позволявайте течност да влезе в тях. Корозивни или проводими течности, като морска вода, определени индустриални химикали и белина или продукти, съдържащи белина и др., могат да причинят късо съединение.

## СЪХРАНЕНИЕ

1. Извадете акумулаторната батерия от високоговорителя.
2. Почистете всички чужди материали от високоговорителя.
3. Съхранявайте високоговорителя на сухо, добре проветриво място, недостъпно за деца. Не съхранявайте високоговорителя върху или в близост до торове, бензин или други химикали.



## ОПАЗВАНЕ НА ОКОЛНАТА СРЕДА



Не изхвърляйте електрическо оборудване, използвана батерия или зарядно устройство в домакинския отпадък! Отнесете продукта до упълномощена фирма за рециклиране и го предоставете за разделно събиране. Електрическите инструменти трябва да бъдат връщани в съоръжения за рециклиране съвместими с околната среда.

## ОТСТРАНЯВАНЕ НА ПРОБЛЕМИ

ПРОБЛЕМ	ПРИЧИНА	РЕШЕНИЕ
Високоговорителят не работи.	<ul style="list-style-type: none"> <li>■ Акумулаторната батерия не е прикрепена към високоговорителя</li> <li>■ Няма електрически контакт между високоговорителя и батерията.</li> <li>■ Акумулаторната батерия е изтощена.</li> <li>■ Акумулаторната батерия е твърде гореща.</li> </ul>	<ul style="list-style-type: none"> <li>■ Закрепете акумулаторната батерия към високоговорителя.</li> <li>■ Извадете акумулаторната батерия, проверете контактите и поставете наново акумулаторната батерия.</li> <li>■ Заредете акумулаторната батерия.</li> <li>■ Охладете акумулаторната батерия до спадане на нейната температура под 152°F (67°C).</li> </ul>
Високоговорителят не може да се сдвои правилно с Bluetooth устройство.	<ul style="list-style-type: none"> <li>■ Извън обхвата на Bluetooth сдвояване.</li> </ul>	<ul style="list-style-type: none"> <li>■ Приближете устройството си до високоговорителя.</li> </ul>

## ГАРАНЦИЯ

### ГАРАНЦИОННА ПОЛИТИКА EGO

Моля, посетете уебсайта [egopowerplus.eu](http://egopowerplus.eu) за пълните срокове и условия по гаранционната политика на EGO.

BG

## PROČITAJTE UPUTE U CIJELOSTI!



**PROČITAJTE KORISNIČKI PRIRUČNIK**

**⚠ UPOZORENJE:** Radi sigurnosti i pouzdanosti, sve popravke mora obavljati kvalificirani servisni tehničar.

## SIGURNOSNI SIMBOLI

Svrha simbola sigurnosti je skretanje pozornosti na moguće opasnosti. Simboli sigurnosti i njihova objašnjenja zahtijevaju vašu potpunu pozornost i razumijevanje. Simboli upozorenja ne isključuju opasnost sami po sebi. Upute i upozorenja koja pružaju nisu zamjena za propisne mjere za prevenciju nezgoda.

**⚠ UPOZORENJE:** Prije upotrebe stroja pročitajte s razumijevanjem sve upute u ovom korisničkom priručniku, uključujući sve sigurnosne simbole kao što su „**OPASNOST**“, „**UPOZORENJE**“ i „**OPREZ**“. Zanemarivanje uputa navedenih u nastavku može rezultirati električnim udarom, požarom i/ili teškim tjelesnim ozljedama.

## SIGURNOSNE NAPOMENE

Na ovoj stranici slikovno su prikazani i objašnjeni simboli sigurnosti koji se mogu pojaviti na ovom proizvodu. Prije sastavljanja i rukovanja s razumijevanjem pročitajte sve upute na stroju i pridržavajte ih se.



Upozorenje u vezi sigurnosti



Radi smanjenja opasnosti od ozljeda korisnik treba pročitati korisnički priručnik.



Bluetooth®



Otpadni električni proizvodi ne smiju se odlagati s otpadom iz kućanstva. Odnosite ih u ovlaštenu centar za recikliranje.



Ovaj proizvod je u skladu s važećim direktivama EU.



Ispitana sukladnost u Velikoj Britaniji



Istosmjerna struja

W    Vat

Hz    Herc

m    Metar

V    Napon

kg    Kilogram

°C    Celzij

mm    Milimetar

## OPĆA UPOZORENJA O SIGURNOSTI STROJA

**▲ UPOZORENJE: PROČITAJTE SVA UPOZORENJA, UPUTE, ILUSTRACIJE U VEZI SIGURNOSTI I TEHNIČKE PODATKE ISPORUČENE S OVIM STROJEM.** Zanemarivanje svih uputa navedenih u nastavku može rezultirati strujnim udarom, požarom i/ili teškim ozljedama.

**SAČUVAJTE SVA UPOZORENJA I SVE UPUTE ZA BUDUĆE POTREBE.**

### SIGURNOST RADNOG PODRUČJA

- Radno područje održavajte čistim i dobro osvijetljenim. Pretrpana ili mračna područja izazivaju nezgode.
- Strojve ne upotrebljavajte u eksplozivnim okruženjima, primjerice u prisutnosti zapaljivih tekućina, plinova ili prašine. Strojevi stvaraju iskre koje mogu zapaliti prašinu ili isparenja.
- Udaljite djecu i promatrače za vrijeme rada sa strojem. Ometanja mogu rezultirati gubitkom kontrole nad alatom.

### ELEKTRIČNA SIGURNOST

- Utikači stroja moraju odgovarati utičnici. Nemojte raditi preinake na utikaču. Utikače s adapterom nemojte koristiti s uzemljenim strojevima. Nepreinačeni utikači i odgovarajuće utičnice smanjit će rizik od električnog udara.
- Izbjegavajte kontakt tijela s uzemljenim površinama, kao što su slavine, radijatori, peći i hladnjaci. Rizik od električnog udara je veći ako je tijelo uzemljeno.
- Kabel nemojte upotrebljavati nepropisno. Kabel nemojte upotrebljavati za nošenje, povlačenje ili iskopčavanje stroja. Kabel držite podalje od topline, ulja, oštih rubova ili pokretnih dijelova. Oštećeni ili isprepleteni kabeli povećavaju rizik od električnog udara.
- Kada upotrebljavate zvučnik na otvorenom, upotrebljavajte produžni kabel prikladan za upotrebu na otvorenom. Upotrebom kabela prikladnog za upotrebu na otvorenom smanjuje se rizik od električnog udara.
- Ako je rad sa strojem u vlažnom području neizbježan, upotrebljavajte napajanje s uređajem za zaštitu od dozemnog spoja. Uporabom uređaja za zaštitu od dozemnog spoja smanjuje se rizik od električnog udara.

### OSOBNJA SIGURNOST

- Budite oprezni, gledajte što radite i vodite se načelima zdravog razuma kada radite sa strojem.

Nemojte raditi sa strojem ako ste umorni ili pod utjecajem opojnih sredstava, alkohola ili lijekova. Trenutak nepažnje tijekom rada s strojem može dovesti do teške tjelesne ozljede.

### KORIŠTENJE I NJEGA STROJEVA

- Rukohvate i površinu rukohvata održavajte suhim, čistim i očišćenim od ulja i masti. Skliske ručke i površine rukohvata onemogućuju sigurno rukovanje i upravljanje strojem u neočekivanim situacijama.

### KORIŠTENJE I NJEGA BATERIJSKOG STROJA

- Punjenje obavljajte samo s punjačem kojeg je naveo proizvođač. Punjač koji je prikladan za jedan tip baterijskog modula može izazvati rizik od požara ako ga se upotrebljava s drugim baterijskim modulom.
- Strojve upotrebljavajte samo s izričito propisanim baterijskim modulima. Upotreba drugih baterijskih modula može izazvati rizik od ozljeda i požara.
- Kada baterijski modul nije u upotrebi, čuvajte ga što dalje od metalnih predmeta kao što su spajalnice, novčići, ključevi, čavli, vijci i drugi mali metalni predmeti koji mogu ostvariti kratki spoj među priključcima. Kratko spajanje baterijskih kontakata može prouzročiti opekline ili požar.
- U slučaju neprimjerene uporabe, baterija može izbaciti tekućinu; izbjegavajte kontakt. Ako slučajno dođe do doticaja, mjesta doticaja isperite vodom. Ako tekućina dođe u doticaj s očima, dodatno potražite pomoć liječnika. Tekućina koju izbacila baterija može prouzročiti nadražaj kože ili opekline.
- Ne upotrebljavajte baterijski modul ili stroj koji je oštećen ili preinačen. Oštećene ili preinačene baterije mogu pokazati nepredvidljivo ponašanje koje može rezultirati požarom, eksplozijom ili opasnošću od ozljeda.
- Baterijski modul ili stroj ne izlažite vatri ili visokim temperaturama. Izlaganje vatri ili temperaturi višoj od 130 °C može prouzročiti eksploziju.
- Pridržavajte se svih uputa za punjenje, a baterijski modul ili stroj nemojte puniti izvan raspona temperature navedenog u uputama. Nepropisno punjenje ili punjenje pri temperaturama izvan okvira određenog raspona može oštetiti bateriju i povećati opasnost od požara.

### SERVISIRANJE

- Servisiranje stroja prepustite kvalificiranom osoblju za popravak koje koristi samo identične zamjenske dijelove. Time će se osigurati održavanje sigurnosti stroja.

- **Ne servisirajte oštećene baterijske module.**  
Servisiranje baterijskog modula smiju obavljati samo proizvođač ili ovlašteni serviseri.

## UPOZORENJA U VEZI SIGURNOSTI ZA VANJSKE BLUETOOTH ZVUČNIKE

- **Da biste smanjili opasnost od požara ili strujnog udara, ne izlažite uređaj kiši ili vlazi. Koristite samo na suhom mjestu.**
- **Koristite uređaj samo u dobro prozračenom prostoru.**
- **Pročitajte ove upute.**
- **Pridržavajte se svih upozorenja.**
- **Slijedite sve upute.**
- **Ne koristite uređaj u blizini vode.**
- **Čistite samo suhom krpom.**
- **Ne zaklanjajte ventilacijske otvore.** Ugradite u skladu s uputama proizvođača.
- **Ne postavljajte u blizini izvora topline kao što su radijatori, grijalice, peći ili drugi uređaji (uključujući pojačala) koji proizvode toplinu.**
- **Koristite samo priključke/dodatke koje je naveo proizvođač.**
- **Koristite samo s kolicima, postoljem, tronošcem, nosačem ili stolom koje je propisao proizvođač ili koji se prodaju s uređajem. Kada koristite kolica, budite oprezni pri pomicanju kombinacije kolica/ uređaja kako biste izbjegli ozljeda od prevrtanja.**
- **Sve servisne postupke prepustite kvalificiranom servisnom osoblju.** Servisiranje je potrebno kada je uređaj oštećen na neki način, primjerice, ako je oštećen kabel napajanja ili utikač, ako je prolivena tekućina ili su predmeti upali u uređaj, ako je bio izložen kiši ili vlazi, ne radi normalno ili je pao. Ako servis ili održavanje izvode neovlaštene osobe, može doći do opasnosti od ozljeda.
- **Uređaj koji radi na ugrađene baterije ili koji sadrži zaseban baterijski modul mora se puniti samo putem propisanog punjača.** Punjač koji je prikladan za jedan tip baterije može izazvati opasnost od požara ako ga se upotrebljava s drugom baterijom.
- **Ne rastavljajte uređaj i ne pokušavajte prespojiti njegov električni sustav.**
- **Održavajte uređaj. Provjerite ima li neusklađenosti, loma dijelova i nekog drugog stanja koje može utjecati na rad uređaja. Ako je oštećen, popravite uređaj prije upotrebe. Uređaj i pribor upotrebljavajte u skladu s ovim uputama, uzimajući u obzir radne uvjete i vrstu rada koji ćete obavljati. Upotreba**

uređaja za radove za koje nije namijenjen može rezultirati opasnim situacijama.

- **Uređaj držite podalje od drugih metalnih predmeta, kao što su spajalice, kovanice, ključevi, čavli, vijci ili drugi mali metalni predmeti koji mogu uspostaviti vezu između kontakata.** Kratko spajanje kontakata može prouzročiti opekline ili požar.
- **Ne koristite uređaj ako je pao ili je dobio oštar udarac.** Ako je uređaj oštećen, povećava se opasnost od požara.
- **Odmah odložite rabljenu bateriju. Držite dalje od djece. Ne rastavljajte i ne odlažite u vatru.**
- **Upotrebljavajte isključivo preporučene baterijske module i punjače.**

**Sačuvajte ove upute.** Uputama se koristite često i upotrebljavajte ih za upućivanje drugih osoba koje mogu upotrebljavati ovaj stroj. Ako ovaj stroj nekom posudite, posudite i ove upute radi sprečavanja neispravnog korištenja proizvoda i mogućih ozljeda.

## TEHNIČKI PODACI

Napon	56 V
Adapter izmjeničnog napajanja	100 - 240 V~, 50/60 Hz
Izlazna snaga	180 W
Izlazna snaga pojačala	Bas zvučnik: 80 W x1
	Visokotonac: 10 W x2
	Srednji tonovi: 40 W x2
AUX priključak	3,5 mm
USB-A izlaz	5 V, 2 A
USB-C ulaz/izlaz	DC 5 V 3 A / DC 9 V 3 A / DC 12 V 3 A / DC 15 V 3 A / DC 20 V 5 A
Domet Bluetooth® veze	>55 m
Masa (bez baterijskog modula)	7,7 kg
Preporučena radna temperatura	-15 °C - 40 °C
Preporučena temperatura skladištenja	-20 °C - 70 °C

Stupanj zaštite od prodora	IP54 (Zaštićeno od prašine i prskajuće vode)
----------------------------	--

\* **NAPOMENA:** IP54 stupanj zaštite temelji se na aparatu.

## PAKIRANJE (SLIKA A1)

### OPIS

#### UPOZNAJTE SVOJ VANJSKI BLUETOOTH ZVUČNIK (slika A1)

1. Drška
2. Upravljačka ploča
3. Gumb za oslobađanje baterije
4. Živo svjetlo
5. Gumeni poklopac
6. AUX priključak
7. USB-A izlazni priključak
8. USB-C ulazno/izlazni priključak
9. Indikator napunjenosti
10. Gumb za UKLJUČIVANJE/ISKLUČIVANJE
11. Bluetooth gumb
12. Gumb za vezu
13. Gumb za smanjivanje glasnoće
14. Gumb za povećavanje glasnoće
15. Gumb pokretanje / privremeno zaustavljanje
16. Gumb za povećanje razine basa

### RAD

#### PRIMJENA

Proizvod možete koristiti za svrhe navedene u nastavku:

- Reprodukcijski zvuk s uređaja povezanih bežično ili putem AUX kabela.

#### POSTAVLJANJE I UKLANJANJE BATERIJSKOG MODULA

Upotrebljavajte samo s baterijskim modulima i punjačima tvrtke EGO navedenima na slici A2.

Više pojedinosti potražite u odgovarajućim priručnicima za baterijske module i punjače.

#### Baterijski modul potpuno napunite prije prve upotrebe.

**NAPOMENA:** Zvuk će podsjetiti kada napunjenost baterijskog modula bude niska.

#### Postavljanje

Poravnajte izbočenja na bateriji s utorima za ugradnju i pritisnite baterijski modul prema dolje dok ne začujete zvuk nasjedanja (slika B1).

#### Uklanjanje

Pritisnite gumb za oslobađanje baterije i izvucite baterijski modul (slika B2).

**⚠ UPOZORENJE:** Prije pritiskanja gumba za otpuštanje baterije, provjerite jesu li vaša stopala, djeca i domaće životinje na sigurnoj udaljenosti. Ako baterija ispadne, može doći do teških ozljeda. NEMOJTE vaditi bateriju kada ste u povišenom položaju.

B1-1	Utor za ugradnju	B1-2	Izbočenje
B1-3	Gumb za oslobađanje baterije		

#### KORIŠTENJE AC ADAPTERA NAPAJANJA (NIJE ISPORUČEN)

AC adapter nije isporučen. Adapter i kabel punjenja koji zadovoljavaju PD protokol i imaju snagu veću od 60 W mogu se koristiti kao adapter za napajanje.

**NAPOMENA:** Kada koristite samo AC adapter, to može utjecati na kvalitetu zvuka i glasnoću glazbe.

Otvorite gumeni poklopac i umetnite utikač AC adaptera u USB-C ulazni/izlazni priključak na stražnjoj strani zvučnika. Ukopčajte adapter u standardnu utičnicu napajanja (slika C1).

Kada je adapter napajanja priključen, umetnuti baterijski modul automatski se puni. Malo točkasto svjetlo iznad simbola indikatora napunjenosti treptat će bijelo. Kada je baterija potpuno napunjena, malo točkasto svjetlo svijetli će crveno. Kada malo točkasto svjetlo svijetli crveno, to znači da je baterija neispravna (slika C2).

Utikač kabela AC napajanja isključite iz utičnice kada ga ne koristite.

**NAPOMENA:** USB uređaji kao što su mobiteli, MP3 playeri itd. spojeni u USB-A izlazne priključke mogu se puniti kada je priključen kabel AC napajanja.

**OBAVIJEST:** Zatvorite gumeni poklopac nakon svake upotrebe kako biste zaštitili priključke od prašine, prljavštine i vlage.

C1-1	Adapter AC napajanja	C1-2	USB-C ulazno/izlazni priključak
------	----------------------	------	---------------------------------

C1-3	Gumeni poklopac	C2-1	Malo točkasto svjetlo
C2-2	Indikator napunjenosti		

## UKLJUČIVANJE I ISKLJUČIVANJE ZVUČNIKA (slika D)

Kratko pritisnite gumb za uključivanje/isključivanje, zvučnik će se uključiti, svjetlo gumba za uključivanje/isključivanje nastavit će svijetliti, a zvučni signal će označiti uspostavljanje veze.

Želite li isključiti zvučnik, kratko pritisnite gumb za uključivanje/isključivanje. Zvučni signal označit će prekid veze.

**NAPOMENA:** zvučnik će se automatski isključiti nakon 20 minuta, ako nema glazbe ili nema izlaznog signala iz USB-A ili USB-C priključka.

D-1	Gumb za UKLJUČIVANJE/ISKLJUČIVANJE
-----	------------------------------------

## BLUETOOTH® NAČIN RADA (slika E)

Nakon što uključite zvučnik, Bluetooth® uparivanje automatski će se uključiti, što će biti označeno bijelim treptanjem Bluetooth® gumba.

- Aktivirajte funkciju Bluetooth® na uređaju koji želite povezati (pametni telefon ili neki sličan) i odaberite „EGO SK1800E“ kao odredište Bluetooth® veze na uređaju.
- Nakon uspješnog povezivanja uređaja zvučni signal označit će uspostavljanje veze, a Bluetooth® gumb nastavit će svijetliti.

**NAPOMENA:** Ako je prethodno uparen sa željenim uređajem, zvučnik će se automatski ponovno povezati s istim uređajem nakon uključivanja zvučnika.

**NAPOMENA:** Ako zvučnik iznenada prestane reproducirati zvuk ili reproducira zvuk drugog medija, to znači da je drugi povezani uređaj preuzeo kontrolu nad zvučnikom i pokrenuo tihu reklamu ili reproducirao pjesmu.

Bluetooth® način uparivanja bit će aktivan samo 3 minute i automatski će se isključiti ako nijedan uređaj nije povezan/uparen.

Kratko pritisnite gumb Bluetooth®, Bluetooth® gumb početi će treptati označavajući da se uređaj može povezati.

Dva se uređaja istovremeno mogu spojiti na zvučnik putem Bluetooth® veze.

- Nakon povezivanja prvog uređaja pritisnite gumb Bluetooth® dok ne počne treptati.

- Nakon što gumb Bluetooth® počne treptati, odaberite „EGO SK1800E“ na drugom uređaju i povežite ga sa zvučnikom. Nakon uspješnog uspostavljanja veze, oglasit će se glasovna obavijest da je drugi uređaj spojen.

**NAPOMENA:** Ako postoji problem s reprodukcijom, ponovno pokrenite zvučnik.

**Odvajanje Bluetooth® uređaja:** pritisnite i zadržite Bluetooth® gumb dulje od 2 sekunde ili odspojite zvučnik na svom uređaju.

E-1	Bluetooth® gumb
-----	-----------------

## POVEZIVANJE VIŠE SK1800E UREĐAJA PUTEM VEZE (slike F1, F2)

Do 100 SK1800E zvučnika moguće je povezati putem veze.

Uključite zvučnike i provjerite je li jedan od zvučnika povezan s uređajem putem Bluetootha.

Zvučnik spojen s uređajem djelovat će kao „domaćinski“ uređaj i moći će upravljati reprodukcijom (glasnoćom, pokretanjem / privremenim zaustavljanjem itd.).

**NAPOMENA:** Kada prilagodite glasnoću podesi na „domaćinskom“ uređaju, ostali povezani zvučnici odmah će se prilagoditi na istu razinu glasnoće kao „domaćinski“ uređaj.

Pritisnite i zadržite gumb za povezivanje dulje od 2 sekunde na „domaćinskom“ uređaju i sekundarnom zvučniku. Kada spojeni zvučnik reproducira glazbu s „domaćinskog“ uređaja, to znači da su dva zvučnika automatski povezana.

**NAPOMENA:** Ako se kasnije želite povezati na treći, četvrti ili devedeset deveti zvučnik, trebate samo pritisnuti i zadržati gumb za VEZU dulje od 2 sekunde na dodatnom zvučniku/zvučnicima.

Udaljenost između dva povezana zvučnika ne smije biti veća od 40 metara na otvorenom području.

Pritisnite i zadržite gumb za povezivanje dulje od 2 sekunde na „domaćinskom“ uređaju ili nakratko isključite ostale zvučnike kako biste prekinuli VEZU.

Osim za povezivanje više zvučnika, gumb za povezivanje može poslužiti i za upravljanje živim svjetlom. Pritisnite gumb za VEZU da biste uključili ili isključili živo svjetlo. Kada se ne reproducira glazba, živo svjetlo postupno će se prigušivati do potpunog isključivanja, a zatim će se postupno vratiti na maksimalnu svjetlinu.

F1-1	Gumb za vezu	F2-1	Živo svjetlo
------	--------------	------	--------------

### POSTAVLJANJE GLASNOĆE (slika G)

Zvučnik ima 16 razina glasnoće.

- Za smanjenje glasnoće jednom pritisnite gumb „-“, tako ćete smanjiti glasnoću za jednu razinu.
- Pritisnite i zadržite gumb „-“ za postupno smanjivanje glasnoće. Možete prestati pritiskati gumb „-“ kada glasnoća dosegne željenu razinu.
- Za povećanje glasnoće, jednom pritisnite gumb „+“, tako ćete povećati glasnoću za jednu razinu.
- Pritisnite i zadržite gumb „+“ za postupno povećanje glasnoće. Možete prestati pritiskati gumb „+“ kada glasnoća dosegne željenu razinu.

Podešavanjem glasnoće ne samo da možete prilagoditi glasnoću zvučnika, već možete prilagoditi i glasnoću na uređaju.

**NAPOMENA:** Kada se glasnoća podesi na maksimum, zvuk će objaviti da je dostigao maksimalnu glasnoću.

G-1	Gumb za smanjivanje i povećavanje glasnoće
-----	--

### POKRETANJE/PRIVREMENO ZAUSTAVLJANJE (slika H)

Za pokretanje ili privremeno zaustavljanje postupka napuhivanja pritisnite gumb za pokretanje / privremeno zaustavljanje.

Dvaput brzo pritisnite gumb za pokretanje / privremeno zaustavljanje da biste prešli na sljedeću pjesmu/datoteku.

H-1	Gumb pokretanje / privremeno zaustavljanje
-----	--

### POVEĆAVANJE RAZINE BASA (slika I)

- Pritisnite gumb za povećavanje razine basa želite li pojačati bas. Gumb za povećavanje razine basa nastavit će svijetliti označavajući da je bas pojačan.
- Ponovno pritisnite gumb za povećavanje razine basa kako biste vratili bas na normalnu razinu. Svjetlo gumba za povećavanje razine basa će se isključiti.

I-1	Gumb za povećanje razine basa
-----	-------------------------------

### AUX NAČIN RADA (slika J)

Otvorite gumeni poklopac, umetnite AUX kabel (nije isporučen) u AUX priključak i provjerite je li pravilno spojen.

Spojite drugi kraj AUX kabela u vanjski izvor glazbe (MP3 player ili slično).

Uključite vanjski izvor glazbe i pokrenite reprodukciju.

Kada završite s reprodukcijom, odspojite AUX kabel.

**NAPOMENA:** Baterije spojenih uređaja ne mogu se napuniti putem AUX veze.

**NAPOMENA:** Kad je zvučnik isključen, povezani uređaj neće se automatski isključiti.

J-1	AUX priključak	J-2	USB-A izlazni priključak
J-3	Gumeni poklopac	J-4	USB-C ulazno/izlazni priključak

### USB PRIKLJUČCI ZA NAPAJANJE (slika J)

Kada je baterijski modul postavljen ili je zvučnik spojen na adapter AC napajanja i uključen, USB-A izlazni priključak i USB-C ulazni/izlazni priključak isporučivat će struju punjenja za uređaje male snage kao što su mobiteli, MP3 playeri itd. Nakon punjenja odmah odspojite USB uređaj.

**NAPOMENA:** USB-A izlazni priključak ne može se koristiti za reprodukciju zvuka. Reprodukcijska zvuka moguća je samo putem Bluetooth ili AUX veze.

**OBAVIJEST:** Zatvorite gumeni poklopac nakon svake upotrebe kako biste zaštitili priključke od prašine, prijavštine i vlage.

### ODRŽAVANJE

**⚠ UPOZORENJE:** Pri servisiranju koristite samo identične zamjenske dijelove. Korištenje drugih dijelova može izazvati opasnost ili prouzročiti oštećenje proizvoda. Radi sigurnosti i pouzdanosti, sve popravke mora obavljati kvalificirani servisni tehničar.

**⚠ UPOZORENJE:** Radi izbjegavanja teških tjelesnih ozljeda, pri čišćenju ili obavljanju podešavanja baterije uvijek izvadite iz proizvoda.

## OPĆE ODRŽAVANJE

Pri čišćenju plastičnih dijelova izbjegavajte upotrebu otapala. Većina plastičnih materijala podložna je oštećenju od različitih vrsta komercijalnih otapala i mogu se oštetiti u slučaju njihove upotrebe. Za uklanjanje nečistoće, prašine, ulja, masti i sl. upotrijebite čistu krpu.

**⚠ UPOZORENJE:** Nemojte dopustiti da kočione tekućine, benzin, proizvodi na bazi nafte, prodorna ulja i sl., dođu u doticaj s plastičnim dijelovima. Kemijska sredstva mogu oštetiti, oslabiti ili uništiti plastiku što može rezultirati teškim tjelesnim ozljedama.

**⚠ UPOZORENJE:** Kako biste smanjili rizik od požara, tjelesnih ozljeda i oštećenja proizvoda uslijed kratkog spoja, ne uranjajte stroj, baterijski modul ili punjač u tekućinu niti dopustite da tekućina teče unutar njih. Korozivne ili vodljive tekućine, poput morske vode, nekih industrijskih kemikalija i izbjeljivača ili proizvoda koji sadrže izbjeljivač i sl. mogu uzrokovati kratki spoj.

## ČUVANJE

1. Izvadite baterijski modul iz zvučnika.
2. Uklonite sav strani materijal sa zvučnika.
3. Zvučnik čuvajte na suhom, dobro prozračenom mjestu koje je izvan dohvata djece. Uređaj nemojte skladištiti u blizini gnojiva, benzina ili drugih kemijskih tvari.

## ZAŠTITA OKOLIŠA



Električnu opremu, iskorištenu bateriju i punjač ne odlažite u otpad iz kućanstva! Ovaj proizvod odnesite u ovlaštenu centar za reciklažu i time omogućite odvojeno sakupljanje. Električne alate potrebno je vratiti u ekološki prihvatljiv pogon za reciklažu.



## RJEŠAVANJE PROBLEMA

PROBLEM	UZROK	RJEŠENJE
Zvučnik ne radi.	<ul style="list-style-type: none"> <li>■ Baterijski modul nije postavljen na zvučnik</li> <li>■ Nema električnog kontakta između zvučnika i baterije.</li> <li>■ Baterijski modul je ispražnjen.</li> <li>■ Baterijski modul je prevruć.</li> </ul>	<ul style="list-style-type: none"> <li>■ Postavite baterijski modul na zvučnik.</li> <li>■ Izvadite baterijski modul, provjerite kontakte i ponovno stavite baterijski modul.</li> <li>■ Napunite baterijski modul.</li> <li>■ Hladite baterijski modul dok se temperatura ne spusti ispod 67 °C.</li> </ul>
Zvučnik se ne može pravilno upariti s Bluetooth uređajem.	<ul style="list-style-type: none"> <li>■ Izvan ste dometa za Bluetooth uparivanje.</li> </ul>	<ul style="list-style-type: none"> <li>■ Približite uređaj zvučniku.</li> </ul>

## JAMSTVO

### PRAVILA U VEZI JAMSTVA TVRTKE EGO

Cjelokupne uvjete i odredbe pravila jamstva tvrtke EGO potražite na web-mjestu [egopowerplus.eu](http://egopowerplus.eu).

## სრულად გაეცანით ინსტრუქციას!



**გაეცანით მომხმარებლის სახელმძღვანელოს**

**▲ გაფრთხილება:** უსაფრთხოებისა და საიმედოობის უზრუნველსაყოფად, ყველა რემონტი უნდა ჩატარდეს ტექნიკური მომსახურების კვალიფიციური სპეციალისტის მიერ.

## გამაფრთხილებელი ნიშნები

უსაფრთხოების სიმბოლოების დანიშნულებას წარმოადგენს თქვენი ყურადღების მიპყრობა შესაძლო საფრთხეებზე. ყურადღებით გაეცანით უსაფრთხოების სიმბოლოებს და მათ შესაბამის განმარტებებს. საშიშროების აღმნიშვნელი სიმბოლოები თავისთავად არ ანიჭრალეხს რაიმე საფრთხის არსებობის რისკს. მათ მიერ მოწოდებული მითითებები და გაფრთხილებები არ არიან შემთხვევის თავიდან აცილების სწორი პროცედურის შემცველები.

**▲ გაფრთხილება:** მოწყობილობის გამოყენებამდე წაკითხეთ და გაეცანით უსაფრთხოების ყველა წესს, მათ შორის, ყველა გამაფრთხილებელ ნიშანს, როგორცაა „საშიშროება“, „გაფრთხილება“ და „სიფრთხილის ზომები“, რომელიც მოცემულია ოპერატორის ამ სახელმძღვანელოში. ქვემოთ ჩამოთვლილი მითითებების შეუსრულებლობამ შეიძლება გამოიწვიოს დენის დარტყმა, ხანძარი და/ან სხეულის სერიოზული დაზიანება.

## უსაფრთხოების ინსტრუქციები

ამ გვერდზე გამოსახულია და აღწერილია უსაფრთხოების სიმბოლოები, რომლებიც შეიძლება გამოჩნდეს მოცემულ პროდუქტზე. წაკითხეთ, შეისწავლეთ და მიყევით ხელსაწყოს ყველა ინსტრუქციას მის აწყობამდე და ჩართვამდე.



გამაფრთხილებელი ნიშანი



დაზიანების რისკის შესამცირებლად მომხმარებელმა უნდა წაკითხოს მომხმარებლის სახელმძღვანელო.



ბლუთუზი®



ელექტრო ხელსაწყოს ნარჩენები არ გადაყაროთ საყოფაცხოვრებო ნარჩენებთან ერთად. წაიღეთ ავტორიზებულ გადაამუშავებელ საწარმოში.



მოწყობილობა შეესაბამება EC-ის მოქმედ რეგულაციებს.



გაველილი აქვს დიდი ბრიტანეთის შესაბამისობის შეფასება



მუდმივი დენი

3ბ ვატი

3ვ ჰერცი

m მეტრი

V ძაბვა

კბ კილოგრამი

°C ცელსიუსი

მმ მილიმეტრი

**KA**

## ზოგადი გაფრთხილებები უსაფრთხოების შესახებ

**▲ გაფრთხილება:** გაეცანით ამ მოწყობილობასთან დაკავშირებულ უსაფრთხოების ყველა მითითებას, ინსტრუქციას, ილუსტრაციას და სპეციფიკაციას. ქვემოთ ჩამოთვლილი ყველა ინსტრუქციის უგულვებელყოფამ შესაძლოა გამოიწვიოს ელექტრო შოკი, ხანძარი და/ან მოგაყენოთ სერიოზული ზიანი.

შეინახეთ ყველა გაფრთხილება და ინსტრუქცია სამომავლოდ გამოყენებისთვის.

სამუშაო სივრცის უსაფრთხოება

- დაიცავით სამუშაო სივრცის სისუფთავე და იქონიეთ კარგი განათება. ჩახერგილი ან ბნელი სამუშაო სივრცე იწვევს ინციდენტებს.
- არ ამუშაოთ მოწყობილობა ფეთქებად საშიშ ატმოსფეროში, როგორცაა აალებადი სითხეები, ბენზინი ან მტვერი. მოწყობილობა წარმოქმნის ნაპერწკალს, რომელმაც შესაძლოა აანთოს მტვერი ან აირი.
- ელექტრო ხელსაწყოთი სარგებლობისას მორიდეთ მას ბავშვები და სხვა პირები. ყურადღების გაფანტვას შეუძლია გამოიწვიოს მოწყობილობაზე კონტროლის დაკარგვა.

ელექტრო უსაფრთხოება

- მოწყობილობის დენის ჩარგალი უნდა ერგებოდეს შტეფსელის როზეტს. არასოდეს გაუკეთოთ მოწყობილობის დენის ჩანგალს მოდიფიცირება. არ გამოიყენოთ ადაპტორები ისეთი ხელსაწყოების დენის ჩანგალზე, რომელსაც აქვს დამიწება. არსებული დენის ჩანგალი და მისი შესაბამისი შტეფსელის არსებობა ამცირებს ელექტრული შოკის რისკს.
- მოერიდეთ სხეულით დამიწებული

საგნების ზედაპირებთან კონტაქტს, როგორცაა მილები, რადიატორები, ქურები და მაცივრები. ელექტრული შოკის მიღების რისკი იზრდება, თუ თქვენნი სხეული დამიწებულია.

- არ დააზიანოთ დენის სადენი. არასოდეს გამოიყენოთ სადენი ხელსაწყოს სატარებლად, მოსაქაჩად ან შტეფსელიდან ამოსართველად. დაიცავით დენის სადენი სიმბურვალისგან, ზეთისგან, მჭრელი და მოძრავი საგნებისგან. დაზიანებული ან გადახლართული დენის სადენი ზრდის ელექტრო შოკის რისკს.
- დინამიკის გარეთ სარგებლობისას გამოიყენეთ დამაგრებელი, რომელიც ვარგისია გარეთ მუშაობისთვის. ღია ცის ქვეშ გამოსაყენებლად ვარგისი სადენის გამოყენება ამცირებს დენის დარტყმის რისკს.
- თუ მოწყობილობის ნესტიან გარემოში მუშაობა გარდაუვალია, გამოიყენეთ დამიწებაზე დამოკლებისას წრდის ამორთვის დაცვის მქონე კვების წყარო. GFCI-ის გამოყენება ამცირებს ელექტრული შოკის რისკს.

პირადი უსაფრთხოება

- მოწყობილობის გამოყენებისას იცავით ფხიზლად, იმოქმედეთ დაკვირვებით და სადი აზრის გათვალისწინებით. არ გამოიყენოთ მოწყობილობა, როდესაც ხართ დაღლილი, ან ალკოჰოლის, მედიკამენტების ან ნარკოტიკების ზემოქმედების ქვეშ. მოწყობილობით სარგებლობისას მყისიერმა უყურადღებობამ შეიძლება მოგაყენოთ სერიოზული პირადი ზიანი.

მოწყობილობის გამოყენება და მოვლა

- სახელურები და ხელის ჩასაჭიდი სხვა ზედაპირები იქონიეთ მშრალ და სუფთა მდგომარეობაში, მათ შორის, ცხიმისა და ზეთის გარეშე. სრიალა სახელურები და ხელის ჩასაჭიდი ზედაპირები არ იძლევა მოწყობილობის უსაფრთხოდ გამოყენების და კონტროლის საშუალებას მოულოდნელ სიტუაციებში.

KA

## აკუმულატორის გამოყენება და მოვლა

- დატენით მხოლოდ მწარმოებლის მიერ მითითებული დამტენი მოწყობილობით. დამტენმა მოწყობილობამ, რომელიც თავსებადია ერთი ტიპის აკუმულატორის ბლოკთან, შესაძლოა წარმოშვას ხანძრის გაჩენის რისკი სხვა აკუმულატორზე გამოყენებისას.
- გამოიყენეთ მოწყობილობა მხოლოდ სპეციალურად მისთვის განკუთვნილი აკუმულატორის ბლოკებით. სხვა აკუმულატორის ბლოკების გამოყენებამ შესაძლოა წარმოშვას ფიზიკური დაზიანების ან ხანძრის რისკი.
- როდესაც აკუმულატორის ბლოკს არ იყენებთ, მოაცილეთ იგი სხვა ლითონის საგნებს, როგორცაა ქაღალდის კლიპი, მონეტა, გასაღები, ლურსმანი, ხრახნი ან სხვა მცირე ზომის ლითონის საგნები, რომელთაც შეუძლიათ დააკავშირონ ერთი ბოლო მეორესთან. აკუმულატორის კლემების ზედდებამ შეიძლება გამოიწვიოს დამწვრობები ან ხანძარი.
- არასწორი მოპყრობის შემთხვევაში, აკუმულატორიდან შეიძლება სითხემ გამოჟონოს; მოერიდეთ მასთან შეხებას. შემთხვევითი კონტაქტისას, შეხების არეალი წყლით ჩამოიბანეთ. სითხის თვალებთან კონტაქტის შემთხვევაში, ექიმს მიმართეთ. აკუმულატორიდან გამოჟონილმა სითხემ შესაძლოა გამოიწვიოს გაღიზიანება ან დამწვრობა.
- არ გამოიყენოთ აკუმულატორის ბლოკი ან ხელსაწყო, რომელიც დაზიანებული ან გადაკეთებულა. დაზიანებულმა ან გადაკეთებულმა აკუმულატორმა შესაძლოა გამოავლინოს არაპროფნოზირებადი ქცევა, რამაც შეიძლება გამოიწვიოს ხანძარი, აფეთქება ან პირადი ზიანი.
- არ მოათავსოთ აკუმულატორის ბლოკი ან ხელსაწყო ცეცხლთან ან მაღალ ტემპერატურაზე. 130 °C-ზე მაღალი ტემპერატურის ზემოქმედებამ შესაძლოა აფეთქება გამოიწვიოს.
- მიყევით დატენის ინსტრუქციებს

და არ დატენოთ აკუმულატორის ბლოკი ინსტრუქციაში მითითებული ტემპერატურის დიაპაზონის გარეთ. აკუმულატორის არასწორი ან ინსტრუქციაში მითითებული ტემპერატურის ფარგლებს მიღმა დამუხტვამ შეიძლება დააზიანოს აკუმულატორი და გაზარდოს ხანძრის რისკი.

## ტექნომსახურება

- მოწყობილობის ტექნომსახურება შესრულებინეთ კვალიფიციურ პირს მხოლოდ იდენტური სათადარიგო ნაწილების გამოყენებით. მსგავსი პროცედურა უზრუნველყოფს მოწყობილობის უსაფრთხოდ მუშაობას.
- არასოდეს შეაკეთოთ დაზიანებული აკუმულატორის ბლოკები. აკუმულატორების შეკეთება უნდა უზრუნველყოს მხოლოდ მწარმოებლმა ან ავტორიზებულმა სერვის პროვაიდერებმა.

## უსაფრთხოების გაფრთხილებები BLUETOOTH-იანი გარე სპიკერის შესახებ

- ხანძრის ან ელექტროშოკის რისკის შესამცირებლად, არ დატოვოთ მოწყობილობა წვიმის ან ტენის ზემოქმედების ქვეშ. გამოიყენება მხოლოდ მშრალ ადგილებში.
- გამოიყენეთ ეს მოწყობილობა კარგად ვენტილირებულ ადგილებში.
- წაიკითხეთ ეს ინსტრუქცია.
- ყურადღება მიაქციეთ ყველა გაფრთხილებას.
- დაიცავით ყველა ინსტრუქცია.
- არ გამოიყენოთ ეს აპარატი წყლის სიახლოვეს.
- გაწმინდეთ მხოლოდ მშრალი ქსოვილით.
- არ დაბლოკოთ სავენტილაციო ხვრელები. დაამონტაჟეთ მწარმოებლის მითითებების შესაბამისად.
- არ დააყენოთ სითხოს წყაროების სიახლოვეს, როგორცაა რადიატორები, განათობილები, ღუმელები ან სხვა აპარატურა (მათ შორის,

KA

გამამლიერებლები), რომლებიც სითბოს წარმოქმნიან.

- გამოიყენეთ მხოლოდ ისეთი მისამაგრებელი ხელსაწყოები/აქსესუარები, რომლებიც მითითებულია მწარმოებლის მიერ.
- გამოიყენეთ მხოლოდ იმ კალათასთან, დგართან, ტრიპოდთან, დამჭერსა ან მაგიდასთან, რომელიც მითითებულია მწარმოებლის მიერ, ან იყიდება აპარატთან ერთად. როდესაც კალათა გამოიყენება, იყავით ფრთხილად კალათის/ აპარატურის კომბინაციის გადაადგილებისას, რათა თავიდან აიცილოთ გადატრიალებით გამოწვეული ტრავმა.
- ყველა ტექნომსახურება უნდა შესარულოს კვალიფიციურმა პერსონალმა. ტექნომსახურება საჭიროა, როდესაც აპარატი ნებისმიერი სახით არის დაზიანებული, მაგალითად დაზიანებულია ელექტრო კაბელი ან შტექერი, სითხე გადმოიღვარა ან საგანი ჩავარდა აპარატში, აპარატი იყო წვიმის ან ტენის ზემოქმედების ქვეშ, არ მუშაობს ჩვეულებრივად, ან დავარდა. არაკვალიფიციური პერსონალის მიერ შესრულებულმა ტექნომსახურებამ ან შეკეთებამ შესაძლოა შექმნას ფიზიკური ზიანის მიღების რისკი.
- აკუმულატორზე მომუშავე აპარატი, რომელიც აღჭურვილია ინტეგრირებული აკუმულატორით ან ცალკე აკუმულატორის ბლოკით, უნდა დაიტენოს მხოლოდ აკუმულატორისთვის განსაზღვრული დამტენით. დამტენმა მოწყობილობამ, რომელიც თავსებადია ერთი ტიპის აკუმულატორთან, შეიძლება გააჩინოს ხანძარი სხვა აკუმულატორზე გამოყენებისას.
- არასოდეს დაშლოთ აპარატი ან სცადოთ აპარატის ელექტრო სისტემის სადენების შეცვლა.
- ჩაატარეთ აპარატის ტექნომსახურება. შეამოწმეთ, ხომ არ არის ნაწილი

არასწორად დაყენებული, ხომ არ აღინიშნება ნაწილების დაზიანება და სხვა მდგომარეობა, რომელმაც შეიძლება გავლენა იქონიოს მოწყობილობის მუშაობაზე. დაზიანების შემთხვევაში, გამოიყენებამდე შეაკეთეთ აპარატი. ეს აპარატი გამოიყენეთ ამ ინსტრუქციის შესაბამისად, სამუშაო გარემოს და სამუშაოს ტიპის გათვალისწინებით. აპარატის არადანიშნულებისამებრ გამოიყენებამ შესაძლოა შექმნას სახიფათო სიტუაცია.

- მოაშორეთ აპარატი სხვა ლითონის საგნებს, როგორცაა ქაღალდის სამაგრები, მონეტა, გასადები, ლუსმანი, ხრახნი ან სხვა მცირე ზომის ლითონის საგნები, რომელთაც შეუძლიათ მოახდინონ შეერთება ერთი ტერმინალიდან მეორეში. კლემების დამოკლებამ შესაძლოა გამოიწვიოს დამწვრობა ან ხანძარი.
- არ გამოიყენოთ აპარატი, თუ ის დავარდა ან დაეჯახა მკვეთრად სხვა საგანს. დაზიანებული აპარატი ზრდის ხანძრის რისკს.
- ნახშირი აკუმულატორი დროულად განკარგეთ. მთავრადეტი ბავშვებს. არ დაშალოთ და არ ჩააგდოთ ცეცხლში.
- გამოიყენეთ მხოლოდ რეკომენდებული აკუმულატორების ბლოკები და დამტენები.

შეინახეთ ეს მითითებები. ხშირად იხელმძღვანელოთ მითითებებით და ასწავლოთ ისინი სხვებს, ვისაც სურთ ამ ხელსაწყოს გამოყენება. თუ ათხოვებთ ხელსაწყოს სხვა პირს, ასევე, ათხოვით მას ეს მომხმარებლის ინსტრუქცია, რათა აღკვეთოთ ხელსაწყოს არასათანადო გამოყენება და შესაძლო ზიანი.

## სპეციფიკაციები

ძაბვა	56 ვოლტი
ცვლადი დენის ადაპტერის ვოლტაჟი	100-240 ვ~, 50/60 ჰც
გამომავალი სიმძლავრე	180 ვტ
გამაძლიერებლის გამომავალი სიმძლავრე	დაბალსიხშირიანი დინამიკი: 80ვტ x1
	მაღალი სიხშირის დინამიკი: 10ვტ x 2
	საშუალო: 40ვტ x 2
AUX Port	3.5 მმ
USB-A გამომავალი	5 V, 2 A
USB-C-ს შემავალი/ გამომავალი სიმძლავრე	DC5V 3A / DC9V 3A / DC12V 3A / DC15V 3A / DC20V 5A
Bluetooth® დიაპაზონი	>55 მ
წონა (აკუმულატორების ბლოკის გარეშე)	7,7 კგ
რეკომენდებული საექსპლუატაციო ტემპერატურა	-15°C - 40°C
შენახვის რეკომენდებული ტემპერატურა	-20°C - 70°C
წყლის შეღწევისგან დაცვის კოეფიციენტი	IP54* (მტვრისგან და წყლის შეშებვებისგან დაცვა)

\* შენიშვნა: IP54 კოეფიციენტი დამოკიდებულია მოწყობილობაზე.

## შეფუთვის ფურცელი (სურ. A1)

### აღწერილობა

გაციანი შენი Bluetooth-იანი გარე დინამიკი (სურ. A1)

1. სახელური

# 214

56V ლითიუმ-იონის BLUETOOTH-იანი გარე დინამიკი — SK1800E

- მართვის პანელი
- აკუმულატორის მოხსნის დილაკი
- სუნთქვის ნათება
- რეზინის საფარი
- AUX Port
- USB-A გამომავალი პორტი
- USB-C შემავალი/გამომავალი პორტი
- დამუხტვის ინდიკატორი
- ON/OFF დილაკი
- Bluetooth-ის დილაკი
- ბმულის დილაკი
- ხმის დასაწყვი დილაკი
- ხმის ასაწყვი დილაკი
- დაკვრა/დააპუხების დილაკი
- დაბალი ტონის დილაკი

## მუშაობა

### გამოყენება

თქვენ შეგიძლიათ გამოიყენოთ მოწყობილობა ქვემოთ ჩამოთვლილი მიზნებისთვის:

- აუდიო დაკვრა მოწყობილობებიდან, რომლებიც უკაბელოდ ან AUX კაბელით არიან დაკავშირებული.

### აკუმულატორის ბლოკის ჩამაგრება/მოხსნა

გამოიყენეთ მხოლოდ ნახ. A2-ში ჩამოთვლილი EGO-ს აკუმულატორის ბლოკები და დამტენები.

დეტალური მითითებებისთვის იხილეთ აკუმულატორისა და დამტენის სახელმძღვანელოები.

### სრულად დატენეთ პირველად გამოყენებამდე.

**შენიშვნა:** ხმა შეგახსენებთ, როდესაც აკუმულატორის ბლოკის დამუხტვის დონე დაბალი იქნება.

### დამაგრება

გაუსწორეთ აკუმულატორის სამაგრები ბუდის ნასერეტებს და დააწეით აკუმულატორი ბლოკს, სანამ არ გაიგებთ „წკაპუნის“ ხმას (სურ. B1).

**მოხსნა**

დააჭირეთ აკუმულატორის გამშვებ ღილაკს და ამოიღეთ აკუმულატორის ბლოკი (სურ. B2).

**⚠ გაფრთხილება:** ყოველთვის შეამოწმეთ თქვენი ფეხების, ზავშვების ან შინაური ცხოველების მდებარეობა აკუმულატორის გამშვები ღილაკის დაჭერისას.

აკუმულატორის დავარდნამ შესაძლოა გამოიწვიოს სერიოზული ფიზიკური ზიანი. არასდროს მოხსნათ აკუმულატორი სიმალღეზე.

B1-1	სამაგრი ღიობი	B1-2	სამაგრი წიბო
B1-3	აკუმულატორის მოხსნის ღილაკი		

**ცვლადი დენის ადაპტერის გამოყენება (არ მოჰყვება)**

ცვლადი დენის ადაპტერი არ არის ჩართული ტრანსპორტირებისას. ადაპტერი და დამუხტვის კაბედი, რომლებიც შეესაბამება PD პროტოკოლს და ნივტ-ს ადგმატება, შეიძლება გამოყენებულ იქნას როგორც ენერჯის ადაპტერი.

**შენიშვნა:** როდესაც მხოლოდ ცვლადი დენის ადაპტერს იყენებთ, ამან შეიძლება შეაფერხოს მუსიკის ხმის ხარისხი და მოცულობა.

გახსენით რეზინის საფარი და ცვლადი დენის ადაპტერის შტეკერი შეაერთეთ USB-C შემავალ/გამავალ პორტში დინამიკის უკანა მხარეს. შეაერთეთ ადაპტერი სტანდარტულ ელექტრო ქსელში (სურ. C1).

როდესაც ენერჯის ადაპტერი შეერთებულია, ჩასმული აკუმულატორის ბლოკი ავტომატურად იმუხტება. დამუხტვის ინდიკატორის სიმბოლოს ზემოთ არსებული პატარა წერტილოვანი ნათება თეთრად აინთება. როდესაც აკუმულატორის ბლოკი სრულად დაიტენება, პატარა წერტილოვანი ნათება მყარი თეთრი ფერი იქნება. როდესაც პატარა წერტილოვანი ნათება მუქ წითლად ანათებს, ეს ნიშნავს, რომ აკუმულატორის ბლოკი დაზიანებულია (სურ. C2).

ცვლადი დენის ადაპტერი უნდა იყოს გამორთული ენერჯის წყაროდან, როდესაც არ გამოიყენება.

**შენიშვნა:** აკუმულატორის ბლოკი და USB მოწყობილობები, როგორცაა მობილური ტელეფონები, MP3 პლეერები და ა.შ., რომლებიც დაკავშირებულია USB-A გამომავალი პორტთან, შეიძლება დაიმუხტოს, როდესაც ცვლადი დენის ადაპტერი არის დაკავშირებული.

**შენიშვნა:** მუდამ დახურეთ რეზინის საფარი ყოველი გამოყენების შემდეგ, რათა დაიცვათ პორტები მტერის, ჭუჭყისა და ტენისგან.

C1-1	ცვლადი დენის კვების ადაპტერი	C1-2	USB-C შემავალ/ გამომავალი პორტი
C1-3	რეზინის საფარი	C2-1	პატარა წერტილი
C2-2	დამუხტვის ინდიკატორი		

**დინამიკის ჩართვა და გამორთვა (სურ. D)**

სწრაფად დააჭირეთ ON/OFF ღილაკს, დინამიკი ჩაერთდება და ON/OFF ღილაკის ნათება დარჩება ჩართული და ხმა გამოაცხადებს დაკავშირების შესახებ.

დინამიკის გამოსართავად სწრაფად დააჭირეთ ON/OFF ღილაკს. ხმოვანი სიგნალი გამოაცხადებს გაამორთვის შესახებ.

**შენიშვნა:** დინამიკი ავტომატურად გამოირთვება 20 წუთის შემდეგ, თუ მუსიკა არ უკრავს ან USB-A ან USB-C პორტებიდან არ არის გამომავალი ენერჯია.

D-1	ON/OFF ღილაკი
-----	---------------

**BLUETOOTH®-ის სამუშაო რეჟიმი (სურ. E)**

დინამიკის ჩართვის შემდეგ Bluetooth®-ის დაწყვილება ავტომატურად ჩაირთვება, რაც ნაჩვენებია თეთრი მოციმციმე Bluetooth® ღილაკით.

- გაააქტიურეთ Bluetooth®-ის ფუნქცია მოწყობილობაზე (სმარტფონი ან მსგავსი), რომელიც უნდა დააკავშიროთ და აირჩიეთ „EGO SK1800E“ როგორც Bluetooth® კავშირის სამიზნე თქვენს მოწყობილობაზე.



- ხმა გამოაცხადებს კავშირის დამყარების შესახებ და Bluetooth®-ის ღილაკი დარჩება განათებული, მოწყობილობის წარმატებით დაკავშირების შემდეგ.

**შენიშვნა:** თუ ადრე იყო დაკავშირებული სასურველ მოწყობილობასთან, ჩართვისას დინამიკი ავტომატურად დაუკავშირდება იმავე მოწყობილობას.

**შენიშვნა:** თუ დინამიკი მოულოდნელად ხმას დაკარგავს ან სხვა მოწყობილობის აუდიოს უკრავს, ეს ნიშნავს, რომ მეორე დაკავშირებული მოწყობილობა მართავს დინამიკს და ჩუმი რეკლამა ან სიმღერა ირთვება.

Bluetooth®-ის დაწყვილების რეჟიმი მხოლოდ 3 წუთის განმავლობაში იქნება აქტიური და ავტომატურად გამორთვება, თუ არანაირი მოწყობილობა არ არის დაკავშირებული/დაწყვილებული.

სწრაფად დააჭირეთ Bluetooth® ღილაკს, Bluetooth®-ის ღილაკი დაიწყებს ნათებას, რაც მიუთითებს იმაზე, რომ მოწყობილობის შეერთება შესაძლებელია.

Bluetooth®-ის საშუალებით შესაძლებელია დინამიკთან ერთდროულად ორი მოწყობილობის დაკავშირება.

- პირველი მოწყობილობის დაკავშირების შემდეგ დააჭირეთ Bluetooth®-ის ღილაკს, სანამ ის არ დაიწყებს ციმციმს.
- როდესაც Bluetooth®-ის ღილაკი დაიწყებს ციმციმს, აირჩიეთ „EGO SK1800E“ მეორე მოწყობილობაზე და დაუკავშირეთ დინამიკს. წარმატებით დაკავშირების შემდეგ გაისმება ხმოვანი შეტყობინება იმის შესახებ, რომ მეორე მოწყობილობა დაკავშირებულია.

**შენიშვნა:** დაკვრის პრობლემის არსებობის შემთხვევაში გადატვირთეთ დინამიკი.

**Bluetooth®-ის გამორთვა:** დაჭირეთ და დააყოვნეთ თითო Bluetooth®-ის ღილაკზე 2 წამზე მეტი ხნით ან გამორთეთ დინამიკი თქვენს მოწყობილობაზე.

**რამდენიმე SK1800E მოწყობილობის დაკავშირება ბმულის გამოყენებით (სურ. F1, F2)**

100 ცალი SK1800E დინამიკის დაკავშირება შესაძლებელია ბმულის გამოყენებით.

ჩართეთ დინამიკები და დარწმუნდით, რომ ერთ-ერთი დინამიკი დაკავშირებულია მოწყობილობასთან Bluetooth®-ის საშუალებით.

დინამიკი, რომელიც მოწყობილობასთან არის დაკავშირებული, იმოქმედებს როგორც „მასპინძელი“ მოწყობილობა და შეუძლია აკონტროლოს დაკვრა (ხმის დონე, დაკვრა/დაპაუზება და ა.შ.).

**შენიშვნა:** როდესაც ხმის დონეს დაარეგულირებთ „მასპინძელ“ მოწყობილობაზე, სხვა დაკავშირებული დინამიკები დაუყოვნებლივ დაარეგულირდება იმავე ხმის დონეზე, რაზეც „მასპინძელი“ მოწყობილობა.

დააჭირეთ და დააყოვნეთ თითო ბმულის ღილაკზე 2 წამზე მეტი ხნით „მასპინძელ“ მოწყობილობაზე და მეორად დინამიკზე. როდესაც დაკავშირებული სპიკერი უკრავს „მასპინძელი“ მოწყობილობის მუსიკას, ეს ნიშნავს, რომ ორი დინამიკი ავტომატურად არის დაკავშირებული ერთმანეთთან.

**შენიშვნა:** თუ გასურთ დაკავშირება მესამე, მეოთხე ან ოთხმოცდაცხრამეტე დინამიკთან მოგვიანებით, უბრალოდ უნდა დააჭიროთ და დააყოვნოთ თითო დაკავშირების ღილაკზე დამატებით დინამიკზე 2 წამზე მეტი ხნით.

ორ დაკავშირებულ დინამიკს შორის მანძილი არ უნდა აღემატებოდეს 40 მეტრს ღია სივრცეში.

დააჭირეთ და დააყოვნეთ თითო კავშირის ღილაკზე „მასპინძელ“ მოწყობილობაზე 2 წამზე მეტი ხნის განმავლობაში ან სწრაფად გამორთეთ სხვა დინამიკები კავშირის სისტემის გასაწყვეტად.

ბევრი დინამიკის დაკავშირების გარდა, დაკავშირების ღილაკი ასევე აკონტროლებს სუნთქვის სინათლეს. დააჭირეთ დაკავშირების ღილაკს, რათა ჩართოთ ან გამორთოთ სუნთქვის სინათლე. როდესაც მუსიკა არ უკრავს, სუნთქვის სინათლე თანდათანობით მუქდება და სრულად გამორთვება, შემდეგ კი თანდათანობით უბრუნდება მაქსიმალურ ნათებას.

KA

E-1	Bluetooth®-ის ღილაკი
-----	----------------------



F1-1	ბმულის დილაკი	F2-1	სუნთქვის ნათება
------	---------------	------	-----------------

### ხმის დონის დაყენება (სურ. G)

დინამიკს აქვს 16 ხმის დონე.

- ხმის დონის დასაწევად დააჭირეთ „-“ დილაკს ერთხელ, რათა ხმის დონეს ერთი დონით დაუწიოთ.
- ხმის დონის თანდათან შესამცირებლად დააჭირეთ და დააყოვნეთ თითო „-“ დილაკზე. თქვენ შეგიძლიათ შეწყვიტოთ „-“ დილაკზე დაჭერა, როდესაც ხმის დონე მიაღწევს თქვენთვის სასურველ ნიშნულს.
- ხმის დონის გასაზრდელად, დააჭირეთ „+“ დილაკს ერთხელ, რათა ხმის დონე ერთი დონით გაზარდოთ.
- ხმის დონის თანდათან გასაზრდელად დააჭირეთ და დააყოვნეთ თითო „+“ დილაკზე. შეწყვიტეთ „+“ დილაკზე თითის დაჭერა, როდესაც ხმის დონე მიაღწევს თქვენთვის სასურველ დონეს.

ხმის დონის რეგულირებისას რეგულირდება არა მხოლოდ დინამიკის ხმის დონე, არამედ მოწყობილობაზე არსებული ხმაც.

**შენიშვნა:** როდესაც ხმა მაქსიმუმზეა დაყენებული, ხმა გამოცხადებს, რომ მან მიაღწია მაქსიმალურ დონეს.

G-1	ხმის დონის დაწვევის და აწვევის დილაკი
-----	---------------------------------------

### დაკვრა/დაპაუზება (სურ. H)

მუსიკის დასაკრავად/დასაპაუზებლად დააჭირეთ დაკვრის/დაპაუზების დილაკს.

შემდეგ ტრეკზე/ვალზე გადასასვლელად სწრაფად დააჭირეთ დაკვრის/დაპაუზების დილაკს ორჯერ.

H-1	დაკვრა/დაპაუზების დილაკი
-----	--------------------------

### დაბალი ტონების გაძლიერება (სურ. I)

- დააჭირეთ დაბალი ტონის გაზრდის დილაკს. დაბალი ტონის აწვევის დილაკი განათებული დარჩება, რათა მიუთითოს, რომ დაბალი ტონები გაძლიერებულია.

- ხელახლა დააჭირეთ დაბალი ტონის აწვევის დილაკს, რათა დაბალი ტონი ჩვეულებრივ დონეზე დაბრუნდეს. დაბალი ტონის აწვევის დილაკის ნათება გამოირთვება.

I-1	დაბალი ტონის დილაკი
-----	---------------------

### AUX მუშაობის რეჟიმი (სურ. J)

გახსენით რეზინის საფარი, ჩადეთ AUX კაბელი (არ მოყვება) AUX პორტში და დააკავშირეთ სწორად.

AUX კაბელის მეორე ბოლოში მიაერთეთ გარე მუსიკალური წყარო (MP3 პლეერი ან მსგავსი).

ჩართეთ დინამიკი და დაიწყეთ დაკვრა.

როდესაც დაკვრა დასრულდება, გამოერთეთ AUX კაბელი.

### შენიშვნა:

დაკავშირებული მოწყობილობების აკუმულატორი ვერ დაიტენება AUX კავშირის საშუალებით.

### შენიშვნა:

როდესაც დინამიკი გამორთულია, დაკავშირებული მოწყობილობა ავტომატურად არ გამოირთვება.

J-1	AUX Port	J-2	USB-A გამომავალი პორტი
J-3	რეზინის საფარი	J-4	USB-C შემავალი/გამომავალი პორტი

### USB კვების პორტები (სურ. J)

როდესაც აკუმულატორის ბლოკი არის დამონტაჟებული ან დინამიკი არის დაკავშირებული ცვლადი დენის ადაპტორთან და დინამიკი ჩართულია, USB-A გამომავალი პორტი და USB-C შესავალი/გამომავალი პორტი მიაწვდის დამუხტვის ენერგიას დაბალი ენერგიის საჭიროების მქონე მოწყობილობებს, როგორცაა მობილური ტელეფონები, MP3 პლეერები და ა.შ. დაუყოვნებლივ გამორთეთ USB მოწყობილობა დატენვის შემდეგ.

### შენიშვნა:

USB-A გამომავალი პორტი არ გამოიყენება აუდიოს დასაკრავად. აუდიოს დაკვრა მხოლოდ Bluetooth ან AUX კავშირის საშუალებით არის შესაძლებელი.

**შენიშვნა:** მუდამ დახურეთ რეზინის საფარი ყოველი გამოყენების შემდეგ, რათა დაიცვათ პორტები მტვრის, ჭუჭყისა და ტენისგან.

**KA**

## ტექნიკური მომსახურება

**▲ გაფრთხილება:** შეკეთებისას გამოიყენეთ მხოლოდ იდენტური სათადარიგო ნაწილები. სხვა ნებისმიერი ნაწილის გამოყენებამ შესაძლოა შექმნას საფრთხე ან გამოიწვიოს მოწყობილობის დაზიანება. უსაფრთხოებისა და საიმედოობის უზრუნველსაყოფად, ყველა რემონტი უნდა ჩატარდეს ტექნიკური მომსახურების კვალიფიციური სპეციალისტის მიერ.

**▲ გაფრთხილება:** სერიოზული პირადი დაზიანების თავიდან ასაცილებლად, ყოველთვის მოხსენით აკუმულატორი პროდუქტს გაწმენდის დროს ან როდესაც უტარებთ რაიმე ტიპის სერვისს.

### ზოგადი სახის ტექნიკური მომსახურება

მოერიდეთ გამხსნელების გამოყენებას ხელსაწყოს პლასტმასის ნაწილების გაწმენდისას. პლასტმასების უმეტესობა ადვილად ზიანდება მათზე სხვადასხვა სახის კომერციული გამხსნელების გამოყენების შედეგად. გამოიყენეთ სუფთა ტილო ტალახის, მტვრის, ზეთის, ცხიმის და სხვ. მოსაცილებლად.

**▲ გაფრთხილება:** არცერთ შემთხვევაში არ მისცეთ სამუხრუჭე სითხეს, ბენზინს, ნავთობის ბაზაზე დამზადებულ პროდუქტებს ან სხვა ძლიერ გამხსნელებს და ა.შ. იყვნენ პლასტმასის ნაწილებთან კონტაქტში. ქიმიურმა ნაერთებმა შესაძლოა დააზიანოს, გაცვითოს და დაშალოს პლასტმასი, რამაც შეიძლება მოგაყენოთ სერიოზული ზიანი.

**▲ გაფრთხილება:** მოკლე ჩართვით გამოწვეული ხანძრის, პირადი დაზიანებისა და პროდუქტის დაზიანების რისკის შესამცირებლად, არასოდეს ჩადოთ თქვენი ხელსაწყო, აკუმულატორის ბლოკი ან დამტენი სითხეში და არ დაუშვათ ხელსაწყოში სითხის მოხვედრა. კოროზიულმა ან გამტარმა სითხეებმა, როგორცაა ზღვის წყალი, გარკვეული სამრეწველო ქიმიკატები და მათეთრებელი ან მათეთრებელის შემცველი პროდუქტები და ა.შ., შეიძლება გამოიწვიოს მოკლე ჩართვა.

### შენახვა

1. მოხსენით აკუმულატორის ბლოკი დინამიკიდან.
2. გაწმინდეთ დინამიკი უცხო ნარჩენებისგან.
3. შეინახეთ ხელსაწყო მშრალ, კარგად განიავებად, ბავშვებისთვის მიუწვდომელ ადგილას. არ შეინახოთ დინამიკი სასუქის, ბენზინის და სხვა ქიმიური ნივთიერებების სიახლოვეს.

### გარემოს დაცვა



არ მოათავსოთ ელექტრო მოწყობილობა, ნახშიარი დამტენი და აკუმულატორი საყოფაცხოვრებო ნაგავში! მიუტანეთ პროდუქტი ნარჩენების ავტორიზირებულ გადამამუშავებელს და უზრუნველყავით ასეთი ნარჩენის განცალკევებულად შეგროვება. ელექტრო ხელსაწყოები უნდა ჩაბარდეს გარემოს თვალსაზრისით თავსებად ნარჩენების გადამამუშავებელ ობიექტს.

KA

## დეფექტების აღმოჩენა და გამოსწორება

პრობლემა	მიზეზი	გადაჭრის გზა
დინამიკი არ მუშაობს.	<ul style="list-style-type: none"> <li>▪ აკუმულატორის ბლოკი არ არის შეერთებული დინამიკთან</li> <li>▪ დინამიკსა და აკუმულატორს შორის არ არის ელექტრო კონტაქტი.</li> <li>▪ აკუმულატორის ბლოკი დაცლილია.</li> <li>▪ აკუმულატორი ზედმეტად გაცხელებულია.</li> </ul>	<ul style="list-style-type: none"> <li>▪ მიუერთეთ აკუმულატორი ბლოკი დინამიკს.</li> <li>▪ მოხსენით აკუმულატორის ბლოკი, შეამოწმეთ კონტაქტები და კვლავ მოათავსეთ იგი უკან.</li> <li>▪ დატენით აკუმულატორის ბლოკი.</li> <li>▪ საჭიროა აკუმულატორის გაგრილება, რომ მისი ტემპერატურა ჩავიდეს 152° F -ის (67°C) ქვევით.</li> </ul>
დინამიკი ვერ ახერხებს Bluetooth მოწყობილობასთან სწორად დაწყვილებას.	<ul style="list-style-type: none"> <li>▪ Bluetooth-ის დაწყვილების დიაპაზონს მიღმა.</li> </ul>	<ul style="list-style-type: none"> <li>▪ მიიტანეთ თქვენი მოწყობილობა მიკროფონთან ახლოს.</li> </ul>

## გარანტია

### EGO-ს საგარანტიო პოლიტიკა

გთხოვთ, ეწვიოთ ვებ-გვერდს [egopowerplus.eu](http://egopowerplus.eu), და გაეცნოთ EGO-ს საგარანტიო პოლიტიკის წესებს და პირობებს სრულად.

KA

## PROČITAJTE SVA UPUTSTVA!



**PROČITAJTE PRIRUČNIK ZA RUKOVAOCA**

**⚠ UPOZORENJE:** Da bi se osigurala sigurnost i pouzdanost, sve popravke treba da radi kvalifikovani servisni tehničar.

## SIGURNOSNI SIMBOLI

Svrha sigurnosnih simbola je da vam skrenu pažnju na moguće opasnosti. Sigurnosni simboli i objašnjenja uz njih zaslužuju vašu pomnu pažnju i shvatanje. Simboli upozorenja, sami po sebi, ne eliminišu nikakve opasnosti. Uputstva i upozorenja koja oni daju nisu zamena za odgovarajuće mere sprečavanja nezgoda.

**⚠ UPOZORENJE:** Obavezno pročitajte i shvatite sva sigurnosna uputstva u ovom Priručniku za rukovaoca, obuhvatajući i sve simbole sigurnosnih upozorenja poput „**OPASNOST**“, „**UPOZORENJE**“ i „**OPREZ**“ pre korišćenja ove mašine. Nepridržavanje svih dolenađenih uputstava može da dovede do strujnog udara, požara i/ili ozbiljne telesne povrede.

## SIGURNOSNA UPUTSTVA

Ova stranica prikazuje i opisuje sigurnosne simbole koji mogu da se pojave na ovom proizvodu. Pročitajte, shvatite i sledite sva uputstva na mašini pre no što pokušate da je sklopite i da rukujete njom.



Sigurnosno upozorenje



Bluetooth®



Ovaj proizvod je u skladu sa primenjivim EC direktivama.



Jednosmerna struja

Hz Herc

V Napon

°C Celzijus



Radi smanjenja opasnosti od povreda, korisnik treba da pročita priručnik za rukovaoca.



Otpadne električne proizvode ne bi trebalo odlagati zajedno sa otpadom iz domaćinstva. Odnosite ih u ovlašćeni pogon za reciklažu.



Ocenjena usklađenost u UK

W Vat

m Metar

kg Kilogram

mm Milimetar

## OPŠTA BEZBEDNOSNA UPOZORENJA O MAŠINAMA

### **⚠ UPOZORENJE: PROČITAJTE SVA SIGURNOSNA UPOZORENJA, UPUTSTVA, ILUSTRACIJE I SPECIFIKACIJE PRILOŽENE UZ OVU MAŠINU.**

Zanemarivanje uputstava navedenih u nastavku može da izazove strujni udar, požar i/ili teške povrede.

### SAČUVAJTE SVA UPOZORENJA I UPUTSTVA ZA BUDUĆU REFERENCU.

#### BEZBEDNOST RADNOG PODRUČJA

- Održavajte radno područje čistim i dobro osvetljenim. Pretrpana ili mračna područja izazivaju nesreće.
- Ne rukujte mašinama u eksplozivnim atmosferama, kao na primer u prisustvu zapaljivih tečnosti, benzina ili prašine. Mašine stvaraju varnice koje mogu zapaliti prašinu ili isparenja.
- Držite decu i posmatrače podalje dok rukujete mašinom. Ako vam nešto odvraća pažnju, možete izgubiti kontrolu.

#### ELEKTRIČNA BEZBEDNOST

- Utikač mašine mora odgovarati utičnici. Nikada ne modifikujete utikač ni na koji način. Ne koristite adapterske utikače sa uzemljenim mašinama. Nemodifikovani utikači i odgovarajuće utičnice umanjuje rizik od strujnog udara.
- Izbegavajte kontakt delova tela sa uzemljenim površinama, poput cevi, radiatora, šporeta i frižidera. Postoji povećan rizik od strujnog udara ako je vaše telo uzemljeno.
- Nemojte da nepropisno upotrebljavate kabl. Nikad ne koristite kabl za nošenje, vučenje ili isključivanje mašine iz utičnice. Čuvajte kabl podalje od toplote, nafte, oštarih ivica ili pokretnih delova. Oštećeni ili isprepleteni kablovi povećavaju rizik od strujnog udara.
- Kad rukujete zvučnikom na otvorenom prostoru, koristite produžni kabl pogodan za korišćenje na otvorenom prostoru. Upotreba kabla pogodnog za korišćenje na otvorenom prostoru smanjuje rizik od strujnog udara.
- Ako je korišćenje mašine na vlažnom mestu neizbežno, koristite izvor napajanja sa zaštitnim uređajem diferencijalne struje. Korišćenje GFCI smanjuje rizik od strujnog udara.

#### LIČNA BEZBEDNOST

- Ostanite u pripravnosti, gledajte ono što radite i

koristite zdrav razum kad rukujete mašinom. Ne koristite mašinu kad ste umorni ili pod uticajem droga, alkohola ili lekova. Trenutak nepažnje kad rukujete mašinama je dovoljan da izazove ozbiljne telesne povrede.

#### KORIŠĆENJE I ODRŽAVANJE MAŠINE

- Drške i površinu drški održavajte suvim, čistim i očišćenim od ulja i masti. Klizave drške i površine koje hvataate ne omogućavaju bezbedno rukovanje i kontrolu mašine u neočekivanim situacijama.

#### UPOTREBA I ODRŽAVANJE MAŠINA NA BATERIJE

- Punite samo punjačem koji navodi proizvođač. Punjač koji je prikladan za jedan tip baterije može da stvori opasnost od požara kad se koristi sa nekom drugom baterijom.
- Koristite mašine samo sa konkretno imenovanim baterijama. Upotreba bilo kakvih drugih akumulatora može da stvori rizik od povrede i požara.
- Kad se baterija ne koristi, držite je dalje od drugih metalnih predmeta, poput spajalica, novčića, ključeva, eksera, vijaka ili drugih malih metalnih predmeta koji mogu da naprave spoj jednog terminala sa drugim. Kratak spoj terminala baterije može da izazove opekotine ili požar.
- U ekstremnim uslovima može doći do curenja tečnosti iz baterije; izbegavajte kontakt sa njom. Ako dođe do nehotičnog kontakta, isperite vodom. Ako tečnost dođe u kontakt sa očima, takođe potražite i medicinsku pomoć. Tečnost iz baterije može da izazove iritaciju ili opekotine.
- Ne koristite bateriju ili mašinu koje su oštećene ili modifikovane. Oštećene ili modifikovane baterije mogu da ispolje nepredvidivo ponašanje, dovodeći do požara, eksplozije ili rizika od povrede.
- Ne izlažite bateriju ili mašinu vatri ili previsokoj temperaturi. Izlaganje vatri ili temperaturi iznad 130 °C može izazvati eksploziju.
- Pratite sva uputstva za punjenje i ne puniti bateriju ili mašinu izvan temperaturnog opsega navedenog u uputstvima. Punjenje na nepravilan način ili na temperaturama izvan navedenog opsega može da ošteti bateriju i poveća rizik od požara.

#### SERVIS

- Odnosite mašinu na servisiranje kod kvalifikovanog servisera koji će koristiti samo identične rezervne delove. To će osigurati da bezbednost mašine bude održana.
- Nikad ne servisirajte oštećene baterije. Servisiranje

**SR**

akumulatora treba da vrši samo proizvođač ili ovlašćeni servis.

## SIGURNOSNA UPOZORENJA ZA BLUETOOTH ZVUČNIK ZA OTVORENI PROSTOR

- Da biste smanjili rizik od požara ili strujnog udara, ne izlažite ovu aparaturu kiši ili vlazi. Upotreba samo na suvom mestu.
- Rukujte ovom aparaturom samo u dobro provetrenom prostoru.
- Pročitajte ovo uputstvo.
- Imajte u vidu sva upozorenja.
- Pratite sva uputstva.
- Ne koristite ovu aparaturu blizu vode.
- Čistite samo suvom krpom.
- Ne blokirajte ventilacione otvore. Instalirajte u skladu sa uputstvom proizvođača.
- Ne instalirajte blizu izvora toplote poput radijatora, rešetki grejanja, šporeta ili druge aparature (obuhvatajući pojačala) koja proizvodi toplotu.
- Koristite samo dodatke/pribor koje navodi proizvođač.
- Koristite samo sa kolicima, postoljem, tronošcem, nosačem ili stolom koje navodi proizvođač ili se prodaju uz aparaturu. Kad koristite kolica, budite oprezni kad pomerate kombinaciju kolica/aparature da biste izbegli povredu usled prevrtanja.
- Prepustite svo servisiranje kvalifikovanom servisnom osoblju. Servisiranje je potrebno kad je aparatura oštećena na bilo koji način, poput oštećenja strujnog kabla ili utikača, prosuta je tečnost ili su predmeti upali u aparaturu, aparatura je izložena kiši ili vlazi, ne radi normalno ili je pala. Servisiranje ili održavanje koje radi nekvalifikovano osoblje bi moglo da dovede do rizika od povrede.
- Aparatura na baterije sa integrisanim baterijama ili zasebnom baterijom sme da se puno samo punjačem koji je naveden za tu bateriju. Punjač koji je možda prikladan za jedan tip baterije može da stvori rizik od požara kad se koristi sa drugom baterijom.
- Nikad ne rasklapajte aparaturu niti pokušavajte da zamenite ožičenje u električnom sistemu aparature.
- Održavajte aparaturu. Proveravajte da li ima nepravilnog poravnanja, pucanja delova i svih drugih stanja koja mogu da utiču na rad aparature. Ako je aparatura oštećena, odnesite je na popravku pre upotrebe. Koristite aparaturu u skladu sa ovim uputstvom, uzimajući u obzir radne uslove i rad koji treba obaviti. Korišćenje aparature za drugačiji rad od

predviđenog moglo bi da dovede do opasne situacije.

- Držite aparaturu dalje od drugih metalnih predmeta, poput spajalica, novčića, ključeva, eksera, vijaka ili drugih malih metalnih predmeta koji mogu da naprave spoj jednog terminala sa drugim. Kratak spoj terminala može da izazove opekotine ili požar.
- Ne koristite aparaturu ako je pala ili dobila oštar udarac. Oštećena aparatura će povećati rizik od požara.
- Odmah odložite korišćenu bateriju. Držite van domašaja dece. Ne rasklapajte i ne odlažite u vatru.
- Koristite samo sa navedenim baterijama i punjačima.

**Sačuvajte ovo uputstvo.** Uputstva upotrebljavajte često i upotrebljavajte ih za upućivanje drugih osoba koje mogu da upotrebljavaju ovu mašinu. Ako pozajmite nekom ovu mašinu, pozajmite i ovo uputstvo da bi se sprečila pogrešna upotreba proizvoda i eventualna povreda.

## SPECIFIKACIJE

Napon	56 V
Napon za AC strujni adapter	100-240 V~, 50/60 Hz
Izlazna snaga	180 W
Izlazna snaga pojačala	Bas: 80 W x 1
	Visoki: 10 W x 2
	Srednji: 40 W x 2
AUX port	3,5 mm
USB-A izlaz	5 V, 2 A
USB-C ulaz/izlaz	DC 5 V, 3 A / DC 9 V, 3 A / DC 12 V, 3 A / DC 15 V, 3 A / DC 20 V, 5 A
Bluetooth® domet	>55 m
Težina (bez baterije)	7,7 kg
Preporučena radna temperatura	Od -15 do +40 °C
Preporučena temperatura skladištenja	Od -20 do +70 °C

Ocena zaštite od prodora	IP54* (zaštićeno od prašine i prskanja vode)
--------------------------	--

\* **NAPOMENA:** IP54 ocena se zasniva na aparaturi.

## POPIS PAKOVANJA (SLIKA A1)

### OPIS

#### UPOZNAJTE SVOJ BLUETOOTH ZVUČNIK ZA OTVORENI PROSTOR (slika A1)

1. Drška
2. Kontrolna tabla
3. Dugme za oslobađanje baterije
4. Svetlo sa efektom disanja
5. Gumeni poklopac
6. AUX port
7. USB-A izlazni port
8. USB-C ulazni/izlazni port
9. Indikator punjenja
10. Dugme za uključivanje/isključivanje
11. Bluetooth dugme
12. Dugme za linkovanje
13. Dugme za smanjenje glasnoće
14. Dugme za povećanje glasnoće
15. Dugme za reprodukciju/pauzu
16. Dugme za pojačanje basa

## RUKOVANJE

### PRIMENA

Možete koristiti ovaj proizvod za svrhe navedene ispod:

- Audio reprodukcija sa uređaja spojenih bežično ili preko AUX kabla.

### SPAJANJE/ODVAJANJE BATERIJE

Upotrebljavajte samo kompletne baterija i punjače proizvođača EGO navedene na slika A2.

Pogledajte odgovarajuće priručnike za bateriju i punjač radi više detalja.

#### Potpuno napunite pre prve upotrebe.

**NAPOMENA:** Zvučni signal će vas podsetiti kad napunjenost akumulatora bude niska.

### Za spajanje

Poravnajte rebra baterije sa prorezima za montiranje i pritisnite bateriju nadole dok ne čujete „škljoc“ (slika B1).

### Za odvajanje

Pritisnite dugme za oslobađanje baterije i izvucite bateriju (slika B2).

**⚠ UPOZORENJE:** Uvek imajte u vidu položaj svojih stopala, dece ili kućnih ljubimaca kad pritisnete dugme za otključavanje baterije. Može doći do ozbiljnih povreda ako baterija ispadne. NIKAD ne vadite bateriju dok ste na visokom mestu.

B1-1	Prorez za montiranje	B1-2	Rebro
B1-3	Dugme za oslobađanje baterije		

### KORIŠĆENJE AC STRUJNOG ADAPTERA (NIJE PRILOŽEN)

AC strujni adapter nije priložen u isporuci. Adapter i kabl za punjenje koji su usklađeni sa PD protokolom i jači od 60 W mogu da se koriste kao strujni adapter.

**NAPOMENA:** Kad se AC strujni adapter koristi sam, to može da utiče na kvalitet i glasnoću zvuka muzike.

Otvorite gumeni poklopac i umetnite utikač AC strujnog adaptera u USB-C ulazni/izlazni port na zadnjoj strani zvučnika. Ukopčajte adapter u standardnu strujnu utičnicu (slika C1).

Kad god je strujni adapter spojen, umetnuta baterija se automatski puni. Malo tačkasto svetlo iznad simbola indikatora punjenja će bljeskati belo. Kad je baterija potpuno napunjena, malo tačkasto svetlo svetli neprekidno belo. Kad malo tačkasto svetlo svetli neprekidno crveno, to znači da je baterija neispravna (slika C2).

AC strujni adapter treba da se iskopča iz strujne utičnice kad nije u upotrebi.

**NAPOMENA:** Baterija i USB uređaji poput mobilnih telefona, MP3 plejera itd. koji su spojeni na USB-A izlazni port mogu da se pune kad je AC strujni adapter spojen.

**OBAVEŠTENJE:** Uvek zatvorite gumeni poklopac nakon svake upotrebe da biste zaštitili portove od prašine, prljavštine i vlage.

C1-1	AC strujni adapter	C1-2	USB-C ulazni/izlazni port
C1-3	Gumeni poklopac	C2-1	Mala tačka

**SR**

C-2	Indikator punjenja		
-----	--------------------	--	--

## UKLJUČIVANJE I ISKLJUČIVANJE ZVUČNIKA (slika D)

Kratko pritisnite dugme za uključivanje/isključivanje pa će se zvučnik uključiti, svetlo dugmeta za uključivanje/isključivanje će ostati osvetljeno a zvučni signal će označiti povezivanje.

Da isključite zvučnik, kratko pritisnite dugme za uključivanje/isključivanje. Zvučni signal će označiti prekid povezivanja.

**NAPOMENA:** zvučnik će se automatski isključiti nakon 20 minuta ako se ne reprodukuje muzika ili ako nema izlaza iz USB-A ili USB-C porta.

D-1	Dugme za uključivanje/isključivanje
-----	-------------------------------------

## BLUETOOTH® REŽIM RADA (slika E)

Nakon što uključite zvučnik, Bluetooth® uparivanje će se automatski uključiti, što pokazuje belo bljeskanje Bluetooth® dugmeta.

- Aktivirajte Bluetooth® funkciju na uređaju koji treba povezati (pametni telefon ili slično) i izaberite „EGO SK1800E“ kao cilj Bluetooth® veze na uređaju.
- Zvučni signal će označiti povezivanje a Bluetooth® dugme će ostati osvetljeno nakon što uređaj bude uspešno povezan.

**NAPOMENA:** Ako je zvučnik prethodno uparen sa željenim uređajem, on će se automatski ponovo povezati na isti uređaj kad se zvučnik uključuje.

**NAPOMENA:** Ako zvučnik iznenada nema zvuk ili reprodukuje zvuk drugog medija, to znači da je drugi povezani uređaj preuzeo kontrolu nad zvučnikom i da reprodukuje reklamu bez zvuka ili pesmu.

Režim Bluetooth® uparivanja će biti aktivan samo 3 minuta i automatski će se isključiti ako se nijedan uređaj ne poveže/upari.

Kratko pritisnite Bluetooth® dugme pa će Bluetooth® dugme početi da bljeska da pokaže da se uređaj može povezati.

Dva uređaja mogu da budu povezana na zvučnik preko Bluetooth® veze u isto vreme.

- Nakon što prvi uređaj bude povezan, pritisnite Bluetooth® dugme dok ne počne da bljeska.
- Kad Bluetooth® dugme počne da bljeska, izaberite „EGO SK1800E“ na drugom uređaju i povežite ga sa zvučnikom. Nakon što veza bude uspešno uspostavljena, čuće se glasovna objava da je drugi uređaj povezan.

**NAPOMENA:** Ako dođe do problema sa reprodukcijom, restartujte zvučnik.

**Za prekid Bluetooth® veze uređaja:** Pritisnite i držite Bluetooth® dugme duže od 2 sekunde ili prekinite vezu sa zvučnikom na uređaju.

E-1	Bluetooth® dugme
-----	------------------

## ZA POVEZIVANJE VIŠE SK1800E JEDINICA POMOĆU LINKOVANJA (slika F1, F2)

Do 100 kom. SK1800E zvučnika može da se poveže pomoću linkovanja.

Uključite zvučnike i vodite računa da jedan od zvučnika bude povezan na neki uređaj preko Bluetooth veze.

Zvučnik povezan na uređaj će se ponašati kao „host“ jedinica i moći će da kontroliše reprodukciju (glasnoća, reprodukcija/pauza itd).

**NAPOMENA:** Kad jačina zvuka bude podešena na „host“ jedinici, drugi povezani zvučnici će se odmah podesiti na isti nivo glasnoće kao „host“ jedinica.

Pritisnite i držite dugme za linkovanje duže od 2 sekunde na „host“ i sekundarnom zvučniku. Kad povezani zvučnik reprodukuje muziku „host“ jedinice, to znači da su dva zvučnika automatski linkovana jedan sa drugim.

**NAPOMENA:** Ako želite da povežete treći, četvrti ili devedesetdeveti zvučnik kasnije, treba samo da pritisnete i držite dugme za linkovanje duže od 2 sekunde na dodatnim zvučnicima.

Razdaljina između dva linkovana zvučnika ne može da prekorači 40 metara bez prepreka.

Pritisnite i držite dugme za linkovanje duže od 2 sekunde na „host“ jedinici ili kratko isključite druge zvučnike da biste prekinuli vezu sistema linkovanja.

Pored povezivanja više zvučnika, dugme za linkovanje može da kontroliše i svetlo sa efektom disanja. Pritisnite dugme za linkovanje da biste uključili ili isključili svetlo sa efektom disanja. Kad nema reprodukcije muzike, svetlo sa efektom disanja će se postepeno prigušivati do potpune isključenosti a zatim se postepeno vraćati na maksimalnu svetlinu.

F1-1	Dugme za linkovanje	F2-1	Svetlo sa efektom disanja
------	---------------------	------	---------------------------

## POSTAVLJANJE GLASNOĆE (slika G)

Zvučnik ima 16 nivoa glasnoće.



- Za smanjenje glasnoće, pritisnite dugme „-“ jednom da biste smanjili glasnoću za jedan nivo.
- Pritisnite i držite dugme „-“ da biste postepeno smanjili glasnoću. Možete da prestanete da pritisćete dugme „-“ kad glasnoća dosegne željeni nivo.
- Za povećanje glasnoće, pritisnite dugme „+“ jednom da biste povećali glasnoću za jedan nivo.
- Pritisnite i držite dugme „+“ da biste postepeno povećali glasnoću. Možete da prestanete da pritisćete dugme „+“ kad glasnoća dosegne željeni nivo.

Podešavanje glasnoće može da podese ne samo glasnoću zvučnika, već može da podese i glasnoću na uređaju.

**NAPOMENA:** Kad se glasnoća podese na maksimum, zvučni signal će ukazati da je dosegnuta maksimalna glasnoća.

G-1	Dugme za smanjenje i povećanje glasnoće
-----	---

### REPRODUKCIJA/PAUZA (slika H)

Pritisnite dugme za reprodukciju/pauzu da biste startovali ili pauzirali muziku.

Pritisnite dugme za reprodukciju/pauzu brzo dva puta da biste prešli na sledeću pesmu/fajl.

H-1	Dugme za reprodukciju/pauzu
-----	-----------------------------

### POJAČANJE BASA (slika I)

- Pritisnite dugme za pojačanje basa da biste pojačali bas. Dugme za pojačanje basa će ostati osvetljeno da pokaže da je bas pojačan.
- Pritisnite dugme za pojačanje basa ponovo da biste vratili bas na normalni nivo. Svetlo dugmeta za pojačanje basa će se isključiti.

I-1	Dugme za pojačanje basa
-----	-------------------------

### AUX REŽIM RADA (slika J)

Otvorite gumeni poklopac pa umetnite AUX kabl (nije priložen) u AUX port i vodite račun da bude pravilno spojen.

Spojite spoljni izvor muzike (MP3 plejer ili slično) na drugi kraj AUX kabla.

Uključite zvučnik i startujte reprodukciju.

Kad budete završili sa reprodukcijom, iskopčajte AUX kabl.

**NAPOMENA:** Baterije povezanih uređaja ne mogu da se pune preko AUX veze.

**NAPOMENA:** Kad se zvučnik isključiti, povezani uređaj se neće automatski isključiti.

J-1	AUX port	J-2	USB-A izlazni port
J-3	Gumeni poklopac	J-4	USB-C ulazni/izlazni port

### PORTOVI USB NAPAJANJA (slika J)

Kad je instalirana baterija ili je zvučnik spojen na AC strujni adapter i zvučnik je uključen, USB-A izlazni port i USB-C ulazni/izlazni port će isporučivati napajanje za punjenje uređaja male snage poput mobilnih telefona, MP3 plejera itd. Odmah iskopčajte USB uređaj nakon punjenja.

**NAPOMENA:** USB-A izlazni port ne može da se koristi za audio reprodukciju. Audio reprodukcija je moguća samo preko Bluetooth ili AUX veze.

**OBAVEŠTENJE:** Uvek zatvorite gumeni poklopac nakon svake upotrebe da biste zaštitili portove od prašine, prljavštine i vlage.

### ODRŽAVANJE

**⚠ UPOZORENJE:** Kada obavljate radove servisiranja, upotrebljavajte samo identične zamenske delove. Upotreba bilo kakvih drugih delova može da dovede do opasnosti ili da izazove oštećenje proizvoda. Da bi se osigurala sigurnost i pouzdanost, sve popravke treba da radi kvalifikovani servisni tehničar.

**⚠ UPOZORENJE:** Da biste izbegli ozbiljne telesne povrede, uvek izvadite bateriju iz proizvoda kad ga čistite ili održavate.

### OPŠTE ODRŽAVANJE

Izbegavajte korišćenje rastvarača kada čistite plastične delove. Većina plastike je podložna oštećenjima od raznih tipova komercijalnih rastvarača i može se oštetiti njihovom upotrebom. Koristite čistu krpu da uklonite prljavštinu, prašinu, ulje, masnoću itd.

**⚠ UPOZORENJE:** Nemojte ni u kom trenutku dozvoliti da koćiona tečnost, benzin, proizvodi na bazi petroleja, penetraciono ulje itd. dođu u kontakt sa plastičnim delovima. Hemikalije mogu da oštete, oslabe ili unište plastiku, što može da dovede do ozbiljne telesne povrede.

**⚠ UPOZORENJE:** Da biste smanjili rizik od požara, telesne povrede i oštećenja proizvoda zbog kratkog spoja, nikad ne potapajte mašinu, bateriju ili punjač u tečnost i ne dozvolite da tečnost uđe u njih. Korozivne ili provodničke tečnosti poput morske vode, određenih industrijskih hemikalija i izbeljivača ili proizvoda koji sadrže izbeljivač i sl. mogu da izazovu kratak spoj.

## SKLADIŠTENJE

1. Uklonite bateriju iz zvučnika.
2. Očistite sav strani materijal sa zvučnika.
3. Skladištite zvučnik na suvom, dobro provetrenom mestu, van domašaja dece. Ne skladištite zvučnik na ili pored đubriva, benzina ili drugih hemikalija.

## ZAŠTITA ŽIVOTNE SREDINE



Ne odlažite električnu opremu, potrošene baterije i punjače u kućni otpad! Odnosite ovaj proizvod u ovlašćeni pogon za reciklažu ili ga odvojite od ostalog smeća radi zasebnog prikupljanja. Električni alati moraju se odneti u ekološki prihvatljiv pogon za reciklažu.

## REŠAVANJE PROBLEMA

PROBLEM	UZROK	REŠENJE
Zvučnik ne radi.	<ul style="list-style-type: none"><li>■ Baterija nije spojena na zvučnik</li><li>■ Nema električnog kontakta između zvučnika i baterije.</li><li>■ Napunjenost baterije je potrošena.</li><li>■ Baterija je prevruća.</li></ul>	<ul style="list-style-type: none"><li>■ Spojite bateriju na zvučnik.</li><li>■ Izvadite bateriju, proverite kontakte i ponovo instalirajte bateriju.</li><li>■ Napunite bateriju.</li><li>■ Hladite bateriju dok njena temperatura ne padne ispod 67 °C.</li></ul>
Zvučnik ne može pravilno da se upari sa Bluetooth uređajem.	<ul style="list-style-type: none"><li>■ Van dometa Bluetooth uparivanja.</li></ul>	<ul style="list-style-type: none"><li>■ Pomerite uređaj bliže zvučniku.</li></ul>

## GARANCIJA

### EGO POLITIKA GARANCIJE

Posetite veb-lokaciju [egopowerplus.eu](http://egopowerplus.eu) za potpune uslove i odredbe EGO politike garancije.

## PROČITAJTE UPUTSTVO U CIJELOSTI!



**PROČITAJTE KORISNIČKI PRIRUČNIK.**

**⚠ UPOZORENJE!** Radi osiguranja sigurnosti i pouzdanosti, sve popravke treba obavljati kvalifikovani servisni tehničar.

## SIGURNOSNI SIMBOLI

Svrha sigurnosnih simbola je skretanje pažnje na moguće opasnosti. Sigurnosni simboli i njihova objašnjenja zahtijevaju vašu potpunu pažnju i razumijevanje. Simboli upozorenja sami po sebi ne isključuju opasnost. Uputstva i upozorenja koja simboli pružaju nisu zamjena za propisne mjere za prevenciju nesreća.

**⚠ UPOZORENJE!** Prije upotrebe ove mašine pobrinite se da sva sigurnosna uputstva u ovom korisničkom priručniku, uključujući sve sigurnosne simbole kao što su "OPASNOST", "UPOZORENJE" i "OPREZ" pročitate s razumijevanjem. Zanemarivanje svih uputstava navedenih u nastavku može rezultirati strujnim udarom, požarom i/ili teškim tjelesnim povredama.

## SIGURNOSNE NAPOMENE

Na ovoj stranici slikovno su prikazani i objašnjeni sigurnosni simboli koji se mogu pojaviti na ovom proizvodu. Prije pokušaja sastavljanja i rukovanja, s razumijevanjem pročitajte sva uputstva na proizvodu i pridržavajte ih se.



Simbol upozorenja



Radi smanjenja opasnosti od povreda, korisnik treba pročitati korisnički priručnik.



Bluetooth®



Otpadni električni proizvodi ne smiju se odlagati s otpadom iz domaćinstva. Onesite ih u ovlaštenu centar za reciklažu.



Ovaj proizvod je u skladu s primjenjivim direktivama EU.



Usklađenost ispitana u Velikoj Britaniji



Istosmjerna struja

W    Vat

Hz    Herc

m    Metar

V    Napon

kg    Kilogram

°C    Celzijus

mm    Milimetar

## OPĆA SIGURNOSNA UPOZORENJA ZA MAŠINE

**⚠ UPOZORENJE! PROČITAJTE SVA SIGURNOSNA UPOZORENJA, UPUTSTVA, SVE ILUSTRACIJE I SPECIFIKACIJE ISPORUČENE S OVOM MAŠINOM.**

Zanemarivanje svih uputstava navedenih u nastavku može rezultirati strujnim udarom, požarom i/ili teškim povredama.

**SAČUVAJTE SVA UPOZORENJA I UPUTSTVA ZA BUDUĆE POTREBE.**

### SIGURNOST RADNOG PODRUČJA

- Radno područje održavajte čistim i dobro osvijetljenim. Pretrpana ili mračna područja izazivaju nesreće.
- Mašine nemojte upotrebljavati u eksplozivnim atmosferama, kao na primjer u prisutnosti zapaljivih tekućina, benzina ili prašine. Mašine stvaraju iskre koje mogu zapaliti prašinu ili isparenja.
- Djecu i druge prisutne osobe držite podalje tokom rada mašine. Ometanja mogu rezultirati gubitkom kontrole nad mašinom.

### ELEKTRIČNA SIGURNOST

- Utikači mašine moraju odgovarati utičnici. Nemojte modifikovati utikač ni na koji način. Nemojte upotrebljavati utikače adaptera s uzemljenim mašinama. Nemodifikovani utikači i odgovarajuće utičnice umanjit će rizik od strujnog udara.
- Izbjegavajte kontakt tijela s uzemljenim površinama, kao što su slavine, radijatori, peći i frižideri. Postoji povećan rizik od strujnog udara ako je vaše tijelo uzemljeno.
- Nemojte nepropisno upotrebljavati kabel. Kabel nemojte nikada upotrebljavati za nošenje, povlačenje ili isključivanje mašine iz strujnog napajanja. Kabel držite podalje od topline, ulja, oštih rubova ili pokretnih dijelova. Oštećeni ili isprepleteni kabeli povećavaju rizik od strujnog udara.
- Kada zvučnik upotrebljavate na otvorenom, upotrebljavajte produžni kabel prikladan za upotrebu na otvorenom. Upotrebom kabela prikladnog za upotrebu na otvorenom smanjuje se rizik od strujnog udara.
- Ako je rad s mašinom u vlažnom području neizbježan, upotrebljavajte napajanje sa zaštitnim uređajem diferencijalne struje. Upotrebom zaštitnog uređaja diferencijalne struje smanjuje se rizik od strujnog udara.

### LIČNA SIGURNOST

- Budite oprezni, gledajte šta radite i koristite se uobičajenim osjećajem kada upotrebljavate mašinu. Nemojte upotrebljavati mašinu kada ste umorni ili pod uticajem opojnih sredstava, alkohola ili lijekova. Trenutak nepažnje tokom rada mašina može rezultirati teškim tjelesnim povredama.

### UPOTREBA I NJEGA MAŠINE

- Rukohvate i površine rukohvata održavajte suhim, čistim i očišćenim od ulja i masti. Skliski rukohvati i skliske površine rukohvata onemogućuju sigurno rukovanje i upravljanje mašinom u neočekivanim situacijama.

### UPOTREBA I NJEGA AKUMULATORSKIH MAŠINA

- Punjenje obavljajte samo s punjačem kojeg je naveo proizvođač. Punjač koji je prikladan za jedan tip kompleta baterija može stvoriti rizik od požara ako ga se upotrebljava s drugim kompletom baterija.
- Mašine upotrebljavajte samo s izričito navedenim kompletima baterija. Upotreba drugih kompleta baterija može izazvati rizik od povreda i požara.
- Kada se komplet baterija ne upotrebljava, držite ga podalje od drugih metalnih predmeta poput spajalica za papir, kovanica, ključeva, eksera, vijaka ili drugih malih metalnih predmeta koji mogu međusobno spojiti kontakte. Kratko spajanje baterijskih kontakata može uzrokovati opekotine ili požar.
- U slučaju pogrešne upotrebe, baterija može izbaciti tekućinu; izbjegavajte kontakt. Ako slučajno dođe do kontakta, odnosno mjesta isperite vodom. Ako tekućina dođe u kontakt s očima, dodatno potražite pomoć ljekara. Tekućina koju izbací baterija može uzrokovati nadražaj kože ili opekotine.
- Nemojte upotrebljavati oštećen ili modifikovan komplet baterija niti oštećenu ili modifikovanu mašinu. Oštećene ili modifikovane baterije mogu pokazati nepredvidivo ponašanje koje može rezultirati požarom, eksplozijom ili rizikom od povreda.
- Komplet baterija ili mašinu nemojte izlagati vatri ili previsokoj temperaturi. Izlaganje vatri ili temperaturi višoj od 130 °C može uzrokovati eksploziju.
- Pridržavajte se svih uputstava za punjenje i komplet baterija ili mašinu nemojte puniti izvan okvira opsega temperature navedenog u uputstvima. Nepropisno punjenje ili punjenje pri temperaturama izvan okvira određenog opsega može oštetiti bateriju i povećati rizik od požara.

## SERVISIRANJE

- Servisiranje mašine prepustite kvalifikovanom osoblju za popravak koje upotrebljava samo identične zamjenske dijelove. Time će se osigurati održavanje sigurnosti mašine.
- Nemojte nikada servisirati oštećene komplete baterija. Servisiranje kompleta baterija smiju obavljati samo proizvođač ili ovlašteni serviseri.

## SIGURNOSNA UPOZORENJA ZA VANJSKI BLUETOOTH ZVUČNIK

- Kako biste umanjili rizik od požara ili strujnog udara, ne izlažite ovaj aparat kiši ili vlazi. Ovaj aparat upotrebljavajte samo na suhom mjestu.
- Ovaj aparat upotrebljavajte samo u dobro prozračenom području.
- Pročitajte ova uputstva.
- Obratite pažnju na sva upozorenja.
- Pridržavajte se svih uputstava.
- Ovaj aparat nemojte upotrebljavati u blizini vode.
- Aparat čistite samo suhom krpom.
- Nemojte blokirati ventilacijske otvore. Postavljanje obavite u skladu s uputstvima koje je priložio proizvođač.
- Ovaj aparat nemojte postavljati u blizini izvora topline, kao što su radijatori, grijalice, štednjaci ili drugi uređaji (uključujući i pojačala) koji stvaraju toplinu.
- Upotrebljavajte samo dodatke/dodatnu opremu koje je naveo proizvođač.
- Ovaj aparat upotrebljavajte samo s kolicima, stankom, stativom, nosačem ili stolom koje je naveo proizvođač ili prodao zajedno s aparatom. Ako se upotrebljavaju kolica, budite oprezni pri premještanju kombinacije kolica/aparat kako biste izbjegli povrede uslijed prevrtanja.
- Sve servisne radove prepustite kvalifikovanom servisnom osoblju. Servisiranje aparata potrebno je slučaju oštećenja strujnog kabela ili utikača, prolijevanja tekućine po aparatu ili upadanja predmeta u aparat, izlaganja aparata kiši ili vlazi, nepropisnog rada i pada aparata. Radovi servisiranja ili održavanja koje obavlja nekvalifikovano osoblje mogu rezultirati rizikom od povreda.
- Aparati na baterijski pogon s ugrađenim baterijama ili zasebnim kompletom baterija smiju se puniti samo s navedenim punjačem za baterije. Punjač koji je prikladan za jednu vrstu baterija može izazvati rizik od požara ako ga se upotrebljava s drugom baterijom.
- Nemojte nikada rastavljati aparat niti pokušavati da uradite ponovno ožičenje električnog sistema aparata.
- Održavajte aparat. Provjerite jesu li dijelovi centrirani, ima li polomljenih dijelova i postoji li stanje koje može uticati na rad aparata. Ako je oštećen, aparat popravite prije upotrebe. Aparat upotrebljavajte u skladu s ovim uputstvima, uzimajući u obzir radne uslove i posao koji je potrebno obaviti. Upotreba aparata za radove drukčije od namjenskih može rezultirati opasnim situacijama.
- Aparat držite podalje od drugih metalnih predmeta poput spjalica za papir, kovanica, ključeva, eksera, vijaka ili drugih malih metalnih predmeta koji mogu međusobno spojiti kontakte. Kratko spajanje kontakata može uzrokovati opekotine ili požar.
- Aparat nemojte upotrebljavati ako je pao ili jako udaren. Oštećeni aparat može povećati rizik od požara.
- Iskorištenu bateriju odmah odložite u otpad. Baterije držite podalje od djece. Bateriju nemojte rastavljati niti bacati u vatru.
- Upotrebljavajte samo navedene komplete baterija i punjače.

**Sačuvajte ova uputstva.** Uputstvima se koristite često i upotrebljavajte ih za upućivanje drugih osoba koje mogu upotrebljavati ovu mašinu. Ako ovu mašinu nekom posudite, priložite i ovo uputstvo radi sprečavanja nepropisne upotrebe proizvoda i mogućih povreda.

## TEHNIČKI PODACI

Napon	56 V
Napon za AC strujni adapter	100 - 240 V~, 50/60 Hz
Izlazna snaga	180 W
Izlazna snaga pojačala	Dubokotonac: 80 W x 1
	Visokotonac: 10 W x 2
	Srednjetonac: 40 W x 2
AUX priključak	3,5 mm
USB-A izlaz	5 V, 2 A
USB-C ulaz/izlaz	DC 5 V 3 A / DC 9 V 3 A / DC 12 V 3 A / DC 15 V 3 A / DC 20 V 5 A
Bluetooth® domet	> 55 m
Masa (bez kompleta baterija)	7,7 kg
Preporučena radna temperatura	-15 °C - 40 °C
Preporučena temperatura skladištenja	-20 °C - 70 °C
Stepen zaštite od prodiranja	IP54* (zaštita od prašine i prskajuće vode)

\* **NAPOMENA!** Klasa zaštite IP54 odnosi se na aparat.

## SADRŽAJ PAKOVANJA (SL. A1)

### OPIS

#### UPOZNAJTE SVOJ VANJSKI BLUETOOTH ZVUČNIK (sl. A1)

1. Rukohvat
2. Kontrolna ploča
3. Dugme za oslobađanje baterije
4. Pulsirajuće svjetlo
5. Gumeni poklopac
6. AUX priključak
7. USB-A izlazni priključak

8. USB-C ulazni/izlazni priključak
9. Indikator nivoa napunjenosti
10. Dugme za UKLJUČIVANJE/ISKLUČIVANJE
11. Bluetooth dugme
12. Dugme za povezivanje
13. Dugme za smanjenje jačine zvuka
14. Dugme za povećanje jačine zvuka
15. Dugme za reprodukciju/pauzu
16. Dugme za pojačanje dubokih tonova

## RAD

### PRIMJENA

Ovaj proizvod možete upotrebljavati za svrhe navedene u nastavku:

- Zvučna reprodukcija sa uređaja povezanih bežično ili putem AUX kabela.

### POSTAVLJANJE/UKLANJANJE KOMPLETA BATERIJA

Proizvod upotrebljavajte samo s EGO kompletima baterija i punjačima koji su navedeni na sl. A2.

Detaljne upute potražite u odgovarajućim priručnicima za komplete baterija i punjač.

### Komplet baterija potpuno napunite prije prve upotrebe.

**NAPOMENA!** Zvučni signal će vas podsjetiti kada je nivo napunjenosti kompleta baterije nizak.

### Postavljanje

Poravnajte kontakte baterije s montažnim utorima i pritišćite komplet baterija prema dolje dok ne začujete zvuk klikanja (sl. B1).

### Uklanjanje

Pritisnite dugme za oslobađanje baterije i izvucite komplet baterija (sl. B2).

**⚠ UPOZORENJE!** Kada pritišćete dugme za oslobađanje baterije, uvijek pazite gdje vam se nalaze stopala, djeca ili kućni ljubimci. U slučaju pada baterije može doći do teških povreda. Bateriju nemojte NIKADA vaditi kada se nalazite visokom položaju.

B1-1	Montažni utor	B1-2	Rebro
------	---------------	------	-------

**BS**

B1-3	Dugme za oslobađanje baterije		
------	-------------------------------	--	--

## UPOTREBA ADAPTERA ZA NAIZMJENIČNU STRUJU (NIJE U SADRŽAJU ISPORUKE)

Adapter za naizmjeničnu struju nije uključen u sadržaj isporuke. Adapter i kabel za punjenje koji su u skladu sa PD protokolom i jači od 60 W mogu se upotrebljavati kao strujni adapter.

**NAPOMENA!** Kada se upotrebljava samo adapter za naizmjeničnu struju, to može negativno uticati na kvalitet zvuka i jačinu zvuka muzike.

Otvorite gumeni poklopac i umetnite utikač adaptera za naizmjeničnu struju u USB-C ulazni/izlazni priključak na stražnjoj strani zvučnika. Priključite adapter na standardnu strujnu utičnicu (sl. C1).

Kad god je strujni adapter priključen, umetnuti komplet baterija automatski se puni. Mali tačkasti svjetlosni indikator iznad simbola indikatora nivoa punjenja treperit će bijelo. Kada se komplet baterija potpuno napuni, mali tačkasti svjetlosni indikator svijetli će bijelo. Kada mali tačkasti svjetlosni indikator svijetli crveno, to znači da je komplet baterija neispravan (sl. C2).

Kada se ne upotrebljava, adapter za naizmjeničnu struju treba isključiti iz strujne utičnice.

**NAPOMENA!** Kada se priključi adapter za naizmjeničnu struju, mogu se puniti komplet baterija i USB uređaji kao što su mobilni telefoni, MP3 reproduktori i sl. priključeni na USB-A izlazni priključak.

**NAPOMENA!** Nakon svake upotrebe uvijek zatvorite gumeni poklopac da priključke zaštitite od prašine, prljavštine i vlage.

C1-1	Adapter za naizmjeničnu struju	C1-2	USB-C ulazni/izlazni priključak
C1-3	Gumeni poklopac	C2-1	Mali tačkasti svjetlosni indikator
C2-2	Indikator nivoa napunjenosti		

## UKLJUČIVANJE I ISKLJUČIVANJE ZVUČNIKA (sl. D)

Kratko pritisnite dugme za UKLJUČIVANJE/ISKLJUČIVANJE. Zvučnik se uključuje, svjetlosni indikator dugmeta za UKLJUČIVANJE/ISKLJUČIVANJE svijetli i oglašava se zvučni signal za povezivanje.

Za isključivanje zvučnika kratko pritisnite dugme za UKLJUČIVANJE/ISKLJUČIVANJE. Oglašava se zvučni signal za prekid veze.

**NAPOMENA!** Zvučnik se automatski isključuje nakon 20 minuta ako nema reprodukcije muzike ili zvučnih zapisa s USB-A ili USB-C priključaka.

D-1	Dugme za UKLJUČIVANJE/ISKLJUČIVANJE
-----	-------------------------------------

## BLUETOOTH® REŽIM RADA (sl. E)

Nakon uključivanja zvučnika automatski se uključuje funkcija Bluetooth® uparivanja, na što se ukazuje bijelim treperećim Bluetooth® dugmetom.

- Aktivirajte Bluetooth® funkciju na uređaju za povezivanje (pametni telefon ili slično) i odaberite "EGO SK1800E" kao određite Bluetooth® povezivanja na vašem uređaju.
- Zvučni signal će najaviti povezivanje, a Bluetooth® dugme i dalje će svijetliti nakon uspješnog povezivanja uređaja.

**NAPOMENA!** Ako je već prethodno uparivan sa željenim uređajem, zvučnik će se nakon uključivanja automatski ponovo povezati na isti uređaj.

**NAPOMENA!** Ako zvučnik iznenada prestane proizvoditi zvuk ili reproducira zvuk drugog medija, to znači da je drugi povezani uređaj preuzeo kontrolu nad zvučnikom i reproducira tišu reklamu ili pjesmu.

Režim rada Bluetooth® uparivanja aktivan je 3 minute i automatski se isključuje ako se uređaj ne poveže/upari.

Kratko pritisnite Bluetooth® dugme. Bluetooth® dugme počinje treperiti kako bi označilo da je uređaj spreman za povezivanje.

Na zvučnik se putem funkcije Bluetooth® istovremeno mogu povezati dva uređaja.

- Nakon povezivanja prvog uređaja pritisnite Bluetooth® dugme i držite ga pritisnutim dok ne počne treperiti.
- Kada Bluetooth® počne treperiti, odaberite "EGO SK1800E" na drugom uređaju i povežite ga na zvučnik. Nakon uspješnog povezivanja oglasit će se zvučni signal koji ukazuje da je drugi uređaj povezan.

**NAPOMENA!** Ako se pojavi problem s reprodukcijom, ponovo pokrenite zvučnik.

**Odspajanje Bluetooth® uređaja:** Pritisnite Bluetooth® dugme i držite ga pritisnutim duže od 2 sekunde ili odspojite zvučnik od uređaja.



E-1	Bluetooth® dugme
-----	------------------

### POVEZIVANJE VIŠE SK1800E JEDINICA PUTEM VEZE (sl. F1, F2)

Putem veze može se povezati do 100 SK1800E zvučnika.

Uključite zvučnike i provjerite je li jedan od zvučnika povezan s uređajem putem funkcije Bluetooth.

Zvučnik povezan na uređaj ima funkciju glavne jedinice i može upravljati reprodukcijom (jačina zvuka, reprodukcija/pauza, itd.).

**NAPOMENA!** Nakon postavljanja jačine zvuka na glavnoj jedinici, ostali povezani zvučnici odmah se prilagođavaju istoj jačini zvuka kao na glavnoj jedinici.

Pritisnite dugme za povezivanje i držite ga pritisnutim duže od 2 sekunde na glavnom i sekundarnom zvučniku. Ako povezani zvučnik reproducira muziku s glavne jedinice, to znači da su dva zvučnika automatski povezana jedan s drugim.

**NAPOMENA!** Ako se kasnije želite povezati na treći, četvrti ili devedesetideveti zvučnik, samo trebate pritisnuti dugme za POVEZIVANJE i na dodatnom zvučniku/dodatnim zvučnicima i držati ga pritisnutim duže od 2 sekunde.

Udaljenost između dva povezana zvučnika ne smije biti veća od 40 metara na otvorenom terenu.

Pritisnite dugme za povezivanje na glavnoj jedinici i držite ga pritisnutim duže od 2 sekunde ili nakratko isključite ostale zvučnike kako biste prekinuli vezu sa sistemom POVEZIVANJA.

Osim povezivanja više zvučnika, pomoću dugmeta za povezivanje možete upravljati i pulsirajućim svjetlom. Za uključivanje ili isključivanje pulsirajućeg svjetla pritisnite dugme za POVEZIVANJE. Kada se muzika ne reproducira, pulsirajuće svjetlo postepeno će se prigušivati dok se potpuno ne isključi, a zatim se postepeno vratiti na maksimalnu svjetlinu.

F1-1	Dugme za povezivanje	F2-1	Pulsirajuće svjetlo
------	----------------------	------	---------------------

### PODEŠAVANJE JAČINE ZVUKA (sl. G)

Zvučnik ima 16 nivoa jačine zvuka.

- Za smanjenje jačine zvuka jednom pritisnite dugme “-” da smanjite jačinu zvuka za jedan nivo.
- Za postepeno smanjenje jačine zvuka pritisnite i držite pritisnutim dugme “-”. Dugme “-” možete prestati pritisnuti kada jačina zvuka dostigne željeni nivo.

- Za povećanje jačine zvuka jednom pritisnite dugme “+” da povećate jačinu zvuka za jedan nivo.
- Za postepeno povećanje jačine zvuka pritisnite i držite pritisnutim dugme “+”. Dugme “+” možete prestati pritisnuti kada jačina zvuka dostigne željenu jačinu.

Pomoću funkcije podešavanja jačine zvuka možete podesiti ne samo jačinu zvuka zvučnika nego i jačinu zvuka uređaja.

**NAPOMENA!** Kada se jačina zvuka podesi na maksimum, zvučni signal će objaviti da je dostignuta maksimalna jačina zvuka.

G-1	Dugme za smanjenje i povećanje jačine zvuka
-----	---

### REPRODUKCIJA/PAUZA (sl. F)

Za pokretanje reprodukcije ili privremeno zaustavljanje muzike pritisnite dugme za reprodukciju/pauzu.

Za prelazak na sljedeću numeru/datoteku dva puta pritisnite dugme za reprodukciju/pauzu.

H-1	Dugme za reprodukciju/pauzu
-----	-----------------------------

### POJAČANJE DUBOKIH TONOVA (sl. I)

- Za pojačanje dubokih tonova pritisnite dugme za pojačanje dubokih tonova. Dugme za pojačanje dubokih tonova će svijetliti da ukaže da su duboki tonovi pojačani.
- Za vraćanje dubokih tonova na normalan nivo ponovo pritisnite dugme za pojačanje dubokih tonova. Svjetlosni indikator dugmeta za pojačanje dubokih tonova se isključuje.

I-1	Dugme za pojačanje dubokih tonova
-----	-----------------------------------

### AUX REŽIM RADA (sl. J)

Otvorite gumeni poklopac, umetnite AUX kabel (nije u sa-držaju isporuke) u AUX priključak i provjerite je li ispravno priključen.

Priključite vanjski izvor muzike (MP3 reproduktor ili slično) na drugi kraj AUX kabela.

Uključite zvučnik i pokrenite reprodukciju.

Kada reprodukcija završi, odspojite AUX kabel.

**NAPOMENA!** Baterije povezanih uređaja ne mogu se puniti putem AUX priključka.

**NAPOMENA!** Kada se zvučnik isključi, povezani uređaj se ne isključuje automatski.

**BS**

J-1	AUX priključak	J-2	USB-A izlazni priključak
J-3	Gumeni poklopac	J-4	USB-C ulazni/izlazni priključak

## USB PRIKLJUČCI ZA NAPAJANJE (sl. J)

Kada se postavi komplet baterija ili kada se zvučnik priključi na adapter za naizmjeničnu struju i uključiti, USB-A izlaz i USB-C ulaz/izlaz daju energiju za punjenje uređaja male snage kao što su mobilni telefoni, MP3 reproduktori, itd. USB uređaj odmah odspojite nakon punjenja.

**NAPOMENA!** USB-A izlazni priključak ne može se upotrebljavati za zvučnu reprodukciju. Zvučna reprodukcija moguća je samo putem Bluetooth ili AUX povezivanja.

**NAPOMENA!** Nakon svake upotrebe uvijek zatvorite gumeni poklopac da priključke zaštitite od prašine, prljavštine i vlage.

## ODRŽAVANJE

**⚠ UPOZORENJE!** Kada obavljate radove servisiranja, upotrebljavajte samo identične zamjenske dijelove. Upotreba drugih dijelova može uzrokovati opasnost ili oštećenje proizvoda. Radi osiguranja sigurnosti i pouzdanosti, sve popravke treba obavljati kvalifikovani servisni tehničar.

**⚠ UPOZORENJE!** Radi izbjegavanja teških tjelesnih povreda, uvijek izvadite bateriju iz proizvoda prije obavljanja radova čišćenja ili održavanja.

## OSNOVNO ODRŽAVANJE

Kada čistite plastične dijelove, izbjegavajte upotrebljavati rastvore. Mnoge plastike mogu se oštetiti različitim vrstama komercijalnih rastvora i mogu se oštetiti njihovom upotrebom. Za uklanjanje prljavštine, prašine, ulja, masti i sl. upotrebljavajte čistu krpu.

**⚠ UPOZORENJE!** Nemojte nikada dozvoliti da kočione tekućine, benzin, proizvodi na bazi nafte, penetrirajuća ulja i sl., dođu u kontakt s plastičnim dijelovima. Hemikalije mogu oštetiti, oslabiti ili uništiti plastiku, što može rezultirati teškim tjelesnim povredama.

**⚠ UPOZORENJE!** Radi smanjenja opasnosti od požara, tjelesnih povreda i oštećenja proizvoda uslijed kratkog spoja, mašinu, komplet baterija ili punjač nemojte nikada uranjati u tekućinu i nemojte dozvoliti da tekućina prodre u njih. Korozivne ili vodljive tekućine kao što su morska voda, neke industrijske hemikalije i izbjeljivač ili proizvodi koji sadrže izbjeljivač i sl. mogu izazvati kratki spoj.

## SKLADIŠTENJE

1. Izvadite komplet baterija iz zvučnika.
2. Sa zvučnika očistite sav strani materijal.
3. Zvučnik skladištite na suhom, dobro prozračenom mjestu izvan dohvata djece. Zvučnik nemojte skladištiti na gnojivima, benzinu ili drugim hemikalijama niti u njihovoj blizini.

## ZAŠTITA ŽIVOTNE SREDINE



Električnu opremu, iskorištenu bateriju i punjač ne odlažite u kućni otpad! Ovaj proizvod odnesite u ovlašteni centar za reciklažu i time omogućite odvojeno sakupljanje. Električne alate potrebno je vratiti u ekološki prihvatljiv pogon za reciklažu.

## RJEŠAVANJE PROBLEMA

PROBLEM	UZROK	RJEŠENJE
Zvučnik ne radi.	<ul style="list-style-type: none"> <li>■ Komplet baterija nije pričvršćen na zvučnik.</li> <li>■ Nema električnog kontakta između zvučnika i baterije.</li> <li>■ Komplet baterija je ispražnjen.</li> <li>■ Komplet baterija je previše vruć.</li> </ul>	<ul style="list-style-type: none"> <li>■ Pričvrstite komplet baterija na zvučnik.</li> <li>■ Izvadite komplet baterija, provjerite kontakte i ponovo stavite komplet baterija.</li> <li>■ Napunite komplet baterija.</li> <li>■ Pričekajte da se komplet baterija ohladi na temperaturu nižu od 67°C (152°F).</li> </ul>
Zvučnik se ne može pravilno upariti s Bluetooth uređajem.	<ul style="list-style-type: none"> <li>■ Zvučnik je izvan dometa uparivanja putem funkcije Bluetooth.</li> </ul>	<ul style="list-style-type: none"> <li>■ Premjestite svoj uređaj tako da bude bliže zvučniku.</li> </ul>

## GARANCIJA

### POLITIKA GARANCIJE PROIZVOĐAČA EGO

Za sve odredbe i uslove politike garancije proizvođača EGO posjetite internetsku stranicu [egopowerplus.eu](http://egopowerplus.eu).





## استكشاف الأعطال وإصلاحها

المشكلة	السبب	الحل
مكبر الصوت لا يعمل.	<ul style="list-style-type: none"> <li>■ مجموعة البطارية غير مركبة في مكبر الصوت.</li> <li>■ لا يوجد اتصال كهربائي بين مكبر الصوت والبطارية.</li> <li>■ نفذ شحن مجموعة البطارية.</li> <li>■ مجموعة البطارية ساخنة للغاية.</li> </ul>	<ul style="list-style-type: none"> <li>■ قم بتركيب مجموعة البطارية في مكبر الصوت.</li> <li>■ اخلع مجموعة البطارية، وافحص التوصيلات، ثم أعد تركيب مجموعة البطارية.</li> <li>■ اشحن مجموعة البطارية.</li> <li>■ اترك مجموعة البطارية تبرد إلى أن تصل درجة حرارتها إلى أقل من 152 درجة فهرنهايت (67 درجة مئوية).</li> </ul>
لا يمكن لمكبر الصوت الاقتران بشكل صحيح بجهاز البلوتوث.	<ul style="list-style-type: none"> <li>■ الجهاز خارج نطاق الاقتران عبر البلوتوث.</li> </ul>	<ul style="list-style-type: none"> <li>■ قم بتقريب جهازك من مكبر الصوت.</li> </ul>

## الضمان

### سياسة ضمان EGO

تفضل بزيارة الموقع الإلكتروني [egopowerplus.eu](http://egopowerplus.eu) للتعرف على الشروط والأحكام الكاملة الخاصة بسياسة ضمان EGO.

## التشغيل/الإيقاف المؤقت (الشكل H)

اضغط على زر التشغيل/الإيقاف المؤقت لبدء تشغيل الموسيقى أو إيقاف تشغيلها مؤقتًا.

اضغط على زر التشغيل/الإيقاف المؤقت مرتين بسرعة للانتقال إلى المسار/الملف التالي.

H-1	زر التشغيل/الإيقاف المؤقت
-----	---------------------------

## رفع عمق الصوت (الشكل I)

اضغط على زر رفع عمق الصوت لتضخيم مستوى عمق الصوت. سيبقى زر رفع عمق الصوت مضاعًا للإشارة إلى تضخيم مستوى عمق الصوت.

اضغط على زر رفع عمق الصوت مرة أخرى لإرجاع مستوى عمق الصوت إلى المستوى الطبيعي. سيتم إيقاف تشغيل ضوء زر رفع عمق الصوت.

I-1	زر رفع عمق الصوت
-----	------------------

## وضع تشغيل AUX (الشكل J)

افتح الغطاء المطاطي، وأدخل كابل AUX (غير مرفق) في منفذ AUX، وتأكد من توصيله بشكل صحيح.

قم بتوصيل مصدر موسيقى خارجي (مشغل MP3 أو ما شابه) بالطرف الآخر لكابل AUX.

قم بتشغيل مكبر الصوت وابدأ تشغيل الموسيقى.

عند الانتهاء من التشغيل، افصل كابل AUX.

**ملاحظة:** لا يمكن شحن بطاريات الأجهزة المتصلة عبر وصلة AUX.

**ملاحظة:** عند إيقاف تشغيل مكبر الصوت، فلن يتم إيقاف تشغيل الجهاز المتصل تلقائيًا.

J-1	منفذ AUX	J-2	منفذ إخراج USB-A
J-3	غطاء مطاطي	J-4	منفذ مدخل/مخرج USB-C

## منافذ طاقة USB (الشكل J)

عند تركيب مجموعة بطارية أو توصيل مكبر الصوت بمهايئ طاقة تيار متردد (AC)، ثم تشغيل مكبر الصوت، فإن منفذ إخراج USB-A ومنفذ إدخال/إخراج USB-C سيقيمون بتقديم طاقة شحن للأجهزة منخفضة الطاقة مثل الهواتف المحمولة ومشغلات MP3 وما شابههم. افصل جهاز USB على الفور بعد الشحن.

**ملاحظة:** لا يمكن استخدام منفذ إخراج USB-A لتشغيل الصوت. لا يمكن تشغيل الصوت إلا عبر تقنية البلوتوث أو وصلة AUX.

تنبيه: أغلق دائمًا الغطاء المطاطي بعد كل استخدام لحماية المنافذ من الغبار والأوساخ والرطوبة.

## الصيانة

**تحذير:** استخدم فقط قطع غيار أصلية عند إجراء أعمال الصيانة. لأن استخدام أي أجزاء أخرى قد ينشأ عنه خطر أو يتسبب في تعرض المنتج للتلف. لضمان السلامة والاعتمادية، يجب تنفيذ جميع أعمال الإصلاح من قبل فني خدمة مؤهل.

**تحذير:** لتجنب التعرض لإصابات خطيرة، احرص دائمًا على خلع البطارية من المنتج عند تنظيفه أو إجراء أي أعمال صيانة عليه.

## الصيانة العامة

تجنب استخدام المنظفات عند تنظيف الأجزاء البلاستيكية. غالبية المكونات البلاستيكية تكون سريعة التأثر بالأنواع المختلفة للمنظفات الموجودة بالسوق، وقد تتلف نتيجة استخدامها عليها. استخدم قطعة قماش نظيفة لإزالة الأوساخ والأتربة والزيت والشحوم وما شابههم.

**تحذير:** لا تسمح في أي وقت من الأوقات بلامسة سوائل الفرامول أو البنزين أو المنتجات القائمة على البنزول أو الزيت المتغلغل أو ما شابههم للأجزاء البلاستيكية. لأن المواد الكيميائية قد تتسبب في تلف الأجزاء البلاستيكية أو وضعها أو تدميرها، وهو ما قد يؤدي إلى وقوع إصابات خطيرة.

**تحذير:** للحد من خطر نشوب حريق، أو التعرض لإصابات شخصية، أو تلف المنتج بسبب حدوث دائرة قصر (ماس كهربائي)، لا تقم مطلقًا بغير الآلة أو مجموعة البطارية أو الشاحن في السوائل أو السماح للسوائل بالتدفق إلى داخلهم. قد تسبب السوائل المسببة للتآكل أو الموصلة للكهرباء، مثل ماء البحر، وبعض المواد الكيميائية المتاحة تجاريًا، والمبيضات أو المنتجات المحتوية على مبيضات، وما شابههم في حدوث دائرة قصر (ماس كهربائي).

## التخزين

1. اخلع مجموعة البطارية من مكبر الصوت.
2. تخلص من أي مواد غريبة موجودة بمكبر الصوت.
3. خزن مكبر الصوت في منطقة جافة جيدة التهوية بعيدًا عن متناول الأطفال. لا تقم بتخزين مكبر الصوت على الأسمدة أو البنزين أو المواد الكيميائية الأخرى، أو بجوارها.

## حماية البيئة

لا تتخلص من المعدات الكهربائية أو البطارية المستهلكة أو الشاحن في النفايات المنزلية! بل توجه بهذا المنتج إلى مركز إعادة تدوير معتمد ليكون متاحًا للفرز بشكل منفرد. تجنب إعادة الآلات الكهربائية إلى مرفق إعادة تدوير صديق للبيئة.



(إلى ذلك).

**ملاحظة:** بمجرد ضبط مستوى الصوت على وحدة "المضيف"، يتم ضبط مكبرات الصوت الأخرى المتصلة على الفور إلى نفس مستوى الصوت الخاص بوحدة "المضيف".

اضغط مع الاستمرار على زر الربط لمدة تزيد عن ثانيتين في مكبر الصوت "المضيف" والسماعة الثانوية. عندما يقوم مكبر الصوت المتصل بتشغيل موسيقى وحدة "المضيف"، فهذا يعني أن مكبري الصوت مرتبطان تلقائياً ببعضهما البعض.

**ملاحظة:** إذا كنت تريد التوصيل بمكبر الصوت الثالث أو الرابع أو التاسع والتسعين لاحقاً، فلن تحتاج إلا إلى الضغط مع الاستمرار على زر LINK (الربط) لمدة تزيد عن ثانيتين بمكبرات الصوت الإضافية.

لا يمكن أن تتجاوز المسافة بين مكبري الصوت المرتبطين 04 مترًا في مجال مفتوح.

اضغط مع الاستمرار على زر الربط لمدة تزيد عن ثانيتين بوحدة "المضيف" أو قم بإيقاف تشغيل مكبرات الصوت الأخرى لفترة وجيزة لفصل نظام LINK (الربط).

بالإضافة إلى توصيل العديد من مكبرات الصوت، يمكن لزر الربط أيضًا التحكم في الإضاءة المتغيرة. اضغط على زر KNIL (الربط) لتشغيل الإضاءة المتغيرة أو إيقاف تشغيلها. عند عدم تشغيل الموسيقى، فسوف تخفت الإضاءة المتغيرة تدريجياً إلى أن يتوقف تمامًا، ثم تعود تدريجياً إلى أقصى سطوع لها.

F1-1	زر الربط	F2-1	إضاءة متغيرة
------	----------	------	--------------

### ضبط مستوى الصوت (الشكل G)

يشتمل مكبر الصوت على 16 مستوى صوت.

- لخفض مستوى الصوت، اضغط على زر "-" مرة واحدة لخفض مستوى الصوت بمستوى واحد.
- اضغط مع الاستمرار على زر "-" لخفض مستوى الصوت تدريجياً. بإمكانك التوقف عن الضغط على زر "-" عندما يصل مستوى الصوت إلى المستوى المطلوب.
- لرفع مستوى الصوت، اضغط على زر "+" مرة واحدة لزيادة مستوى الصوت بمستوى واحد.
- اضغط مع الاستمرار على زر "+" لرفع مستوى الصوت تدريجياً. بإمكانك التوقف عن الضغط على زر "+" عندما يصل مستوى الصوت إلى المستوى المطلوب.

لا يمكن لضبط مستوى الصوت ضبط مستوى صوت مكبر الصوت فحسب، بل يمكنه أيضاً ضبط مستوى صوت الجهاز.

**ملاحظة:** عندما يتم ضبط مستوى الصوت إلى الحد الأقصى، سيصدر صوت يعلن أنه قد تم الوصول إلى الحد الأقصى لمستوى الصوت.

G-1	زر خفض مستوى الصوت ورفع
-----	-------------------------

D-1 زر التشغيل/الإيقاف

### وضع تشغيل البلوتوث® (الشكل E)

بعد تشغيل مكبر الصوت، سيتم تشغيل اقتران البلوتوث® تلقائياً، والذي ستم الإشارة إليه بواسطة زر البلوتوث® الأبيض الواضح.

- قم بتفعيل وظيفة البلوتوث® بالجهاز المراد توصيله (الهاتف الذكي أو جهاز مشابه) واختر "SK1800E EGO" كهدف لاتصال البلوتوث® في جهازك.
- سيتم الإعلان عن الاتصال بصوت وسوف يظل زر البلوتوث® مضاءً بعد توصيل الجهاز بنجاح.

**ملاحظة:** إذا تم إقرانه مسبقاً بالجهاز المطلوب، فسوف يتم إعادة توصيل مكبر الصوت تلقائياً بنفس الجهاز عند تشغيل مكبر الصوت.

**ملاحظة:** إذا لم يصدر مكبر الصوت أي صوت فجأة أو قام بتشغيل صوت وسائط أخرى، فهذا يعني أن الجهاز المتصل الثاني قد تولى السيطرة على مكبر الصوت وقام بتشغيل إعلان صامت أو تشغيل أغنية.

سيكون وضع الاقتران عبر تقنية البلوتوث® نشطاً لمدة 3 دقائق فقط، وسيتم إيقاف تشغيله تلقائياً إذا لم يكن هناك أي جهاز متصل/مقترن.

اضغط لفترة وجيزة على زر البلوتوث®، وفي نفس الوقت يبدأ زر البلوتوث® في الوميض للإشارة إلى أنه يمكن توصيل جهاز ما.

يمكن توصيل جهازين بمكبر الصوت عبر البلوتوث® في نفس الوقت.

- بعد توصيل الجهاز الأول، اضغط على زر البلوتوث® إلى أن يبدأ في الوميض.

- بمجرد أن يبدأ زر البلوتوث® في الوميض، اختر "EGO SK1800E" على الجهاز الثاني وقم بتوصيله بمكبر الصوت. بعد نجاح الاتصال، سيكون هناك إعلان صوتي بأن الجهاز الثاني قد تم توصيله.

**ملاحظة:** إذا كانت هناك مشكلة في التشغيل، فاعد تشغيل مكبر الصوت.

**لفصل جهاز البلوتوث®:** اضغط مع الاستمرار على زر البلوتوث® لمدة تزيد عن ثانيتين أو فصل مكبر الصوت على جهازك.

E-1	زر البلوتوث®
-----	--------------

### لتوصيل عدة وحدات SK1800E باستخدام الربط (الشكلان F2 و F1)

يمكن توصيل ما يصل إلى 100 قطعة من مكبرات الصوت SK1800E باستخدام وظيفة الربط.

قم بتشغيل مكبرات الصوت وتأكد من توصيل أحد مكبرات الصوت بالجهاز عبر البلوتوث®.

سيعمل مكبر الصوت المتصل بالجهاز كجهاز "مضيف" ويمكنه التحكم في التشغيل (مستوى الصوت، التشغيل/الإيقاف المؤقت، وما



B1-1	فتحة التركيب	B1-2	دعامة
B1-3	زر تحرير البطارية		

## استخدام مهايئ التيار المتردد (غير مرفق)

لا يتم إرفاق مهايئ التيار المتردد عند شحن المنتج. يمكن استخدام المهايئ وكابلات الشحن المتوافق مع بروتوكول PD والذي يزيد عن 60 واط كمهايئ طاقة.

**ملاحظة:** عند استخدام مهايئ التيار المتردد بمفرده، فقد تتأثر جودة الصوت ومستوى صوت الموسيقى.

افتح الغطاء المطاطي وأدخل قابس مهايئ التيار المتردد في منفذ مدخل/مخرج USB-C الموجود في الجزء الخلفي من مكبر الصوت. قم بتوصيل المهايئ في منفذ طاقة قياسي (الشكل C1).

عند توصيل مهايئ الطاقة، يتم شحن مجموعة البطارية المنحلة في الجهاز تلقائيًا. سيومض الضوء صغير النقاط الموجود أعلى رمز مؤشر الشحن باللون الأبيض. عندما يتم شحن مجموعة البطارية بالكامل، فسيضيء الضوء صغير النقاط باللون الأبيض الثابت. عندما يضيء الضوء صغير النقاط باللون الأحمر الثابت، فهذا يعني أن مجموعة البطارية معيبة (الشكل C2).

ينبغي فصل مهايئ طاقة التيار المتردد عن مخرج الطاقة عند عدم الاستخدام.

**ملاحظة:** يمكن شحن مجموعة البطارية وأجهزة USB، مثل الهواتف المحمولة ومشغلات MP3 وما إلى ذلك، المتصلة بمنفذ إخراج USB-A عند توصيل مهايئ طاقة التيار المتردد.

تنبيه: ألقِ دائمًا الغطاء المطاطي بعد كل استخدام لحماية المنافذ من الغبار والأوساخ والرطوبة.

C1-1	مهايئ طاقة التيار المتردد	C1-2	منفذ مدخل/مخرج USB-C
C1-3	غطاء مطاطي	C2-1	ضوء النقاط الصغيرة
C2-2	مؤشر الشحن		

## تشغيل مكبر الصوت وإيقاف تشغيله (الشكل D)

اضغط لفترة وجيزة على زر التشغيل/الإيقاف، فيتم تشغيل مكبر الصوت وسيظل ضوء زر التشغيل/الإيقاف مضاءً وسيصدر صوت للدلالة على تنفيذ الاتصال.

لإيقاف تشغيل مكبر الصوت، اضغط لفترة وجيزة على زر التشغيل/الإيقاف. سيتم إصدار صوت للدلالة على قطع الاتصال.

**ملاحظة:** سيتم إيقاف تشغيل مكبر الصوت تلقائيًا بعد 20 دقيقة إذا لم يكن هناك تشغيل للموسيقى أو عدم وجود إخراج طاقة من منفذ USB-A أو USB-C.

2. لوحة التحكم
3. زر تحرير البطارية
4. إضاءة متغيرة
5. غطاء مطاطي
6. منفذ AUX
7. منفذ إخراج USB-A
8. منفذ مدخل/مخرج USB-C
9. مؤشر الشحن
10. زر التشغيل/الإيقاف
11. زر البلوتوث
12. زر الربط
13. زر خفض مستوى الصوت
14. زر رفع مستوى الصوت
15. زر التشغيل/الإيقاف المؤقت
16. زر رفع عمق الصوت

## التشغيل

### الاستخدامات

يمكنك استخدام هذا المنتج للأغراض الموضحة أدناه:

- تشغيل الصوت من الأجهزة المتصلة لاسلكيًا أو عبر كابل AUX.

### تركيب/خلع مجموعة البطارية

لا تستخدم الآلة إلا مع مجموعات بطارية وشواحن EGO المدرجة في الشكل A2.

راجع دلالات تشغيل البطاريات والشواحن ذات الصلة للتعرف على مزيد من التفاصيل.

### اشحن البطارية بالكامل قبل الاستخدام لأول مرة.

**ملاحظة:** سيتم إصدار صوت عندما يكون شحن مجموعة البطارية منخفضًا.

### للتثبيت

قم بمحاذاة دعامة البطارية مع فتحات التركيب، واضغط على مجموعة البطارية إلى أسفل إلى أن تسمع صوت "نقرة" (الشكل B1).

### للخلع

اضغط إلى أسفل على زر تحرير البطارية، واسحب مجموعة البطارية إلى الخارج (الشكل B2).

**⚠ تحذير:** احرص دائمًا على الانتباه لموقع قدميك أو الأطفال أو الحيوانات الأليفة عند الضغط على زر تحرير البطارية. فقد تقع إصابات خطيرة إذا سقطت البطارية. لا تقم أبدًا بخلع البطارية وأنت في مكان شاهق الارتفاع.

**احفظ هذه التعليمات.** راجعهم باستمرار واستخدمهم لتوجيه الآخرين عند استخدام هذه الآلة. إذا أعرت هذه الآلة شخصاً آخر، أرعه أيضاً هذه التعليمات معها لمنع الاستخدام الخاطئ للمنتج والتعرض للإصابات المحتملة.

## المواصفات

الجهد الكهربائي	56 فولت
الجهد الكهربائي لمهايئ التيار المتردد	100-240 فولت~، 50/60 هرتز
طاقة الإخراج	180 واط
مخرج طاقة المصنم (أمبليفاير)	ووفر: 80 واط × 1 تويتر: 10 واط × 2 ميد: 40 واط × 2
منفذ AUX	3.5 مم
مخرج USB-A	5 فولت، 2 أمبير
مدخل/مخرج USB-C	تيار مستمر 5 فولت 3 أمبير/تيار مستمر 9 فولت 3 أمبير/ تيار مستمر 12 فولت 3 أمبير/تيار مستمر 15 فولت 3 أمبير/ تيار مستمر 20 فولت 5 أمبير
نطاق البلوتوث®	< 55 م
الوزن (من دون مجموعة البطارية)	7.7 كجم
درجة حرارة التشغيل الموصى بها	40 - 15 درجة مئوية
درجة حرارة التخزين الموصى بها	70 - 20 درجة مئوية
تصنيف الحماية ضد دخول الماء	IP54* (الحماية من الغبار وتناثر الماء)

\* ملاحظة: تصنيف IP54 يعتمد على الجهاز.

## قائمة المحتويات (الشكل A1)

### الوصف

تعرف على مكبر الصوت الخارجي المزود بتقنية البلوتوث (الشكل A1)  
1. المقيض

- انتبه لجميع التحذيرات.
- اتبع جميع التعليمات.
- لا تستخدم هذا الجهاز بالقرب من الماء.
- يكون التنظيف بقطعة قماش جافة فقط.
- كما لا يجب إغلاق أي فتحات تهوية للجهاز. يكون التركيب وفقاً لتعليمات الشركة الصانعة.
- لا يجب تصيب الجهاز بالقرب من مصادر الحرارة كشبكات أنابيب التدفئة المركزية، أو فتحات التدفئة، أو المواقد، أو أي أجهزة أخرى (بما في ذلك المضخات الكهربائية) والتي من شأنها توليد حرارة.
- يجب استخدام المرفقات/الملحقات التي تحددها الشركة المصنعة فقط.
- يجب استخدام الجهاز فقط مع الطاولات المتحركة، أو الحوامل، أو الحوامل ثلاثية القوائم، أو الدعائم، أو الطاولات التي تحددها الشركة الصانعة أو التي تباع مع الجهاز. عند استخدام الطاولة المتحركة، يجب الحذر عند تحريك الطاولة المتحركة الحاملة للجهاز لتجنب وقوع أي إصابات جراء انقلاب الطاولة.
- يرجى الاستعانة بخبراء الصيانة المؤهلين للقيام بجميع أعمال الصيانة. ينبغي تنفيذ أعمال الصيانة على الجهاز في تلقه بأي شكل من الأشكال، كأن يتلف سلك التيار أو القابس، أو في حال انسكاب سوائل أو سقوط أغراض داخل الجهاز، أو عند تعرض الجهاز للمطر أو الرطوبة، أو عند عمل الجهاز بشكل غير طبيعي، أو عند سقوطه. قد يؤدي تنفيذ أعمال الإصلاح والصيانة بواسطة شخص غير مؤهل إلى خطر التعرض للإصابات.
- يجب شحن الأجهزة التي تعمل بالبطارية والتي تحتوي على بطاريات مدمجة أو مجموعة بطارية منفصلة باستخدام الشاحن المخصص للبطارية فقط. فالشاحن الملائم لنوع ما من البطاريات قد يتسبب في نشوب حريق إذا تم استخدامه مع بطارية أخرى.
- لا تقم مطلقاً بتفكيك الجهاز أو محاولة إعادة توصيل أسلاك النظام الكهربائي للجهاز.
- حافظ على الجهاز. تحقق من عدم محاذاة الأجزاء، أو وجود كسور بها، أو أي حالة أخرى قد تؤثر على عمل الجهاز. وإذا كان هناك تلف، فأصلح الجهاز قبل الاستخدام. استخدم الجهاز وفقاً لهذه التعليمات، مع الأخذ في الاعتبار ظروف العمل والمهام التي سيتم تنفيذها. قد يؤدي استخدام الجهاز في أعمال غير تلك المخصص لها إلى وقوع حوادث خطيرة.
- احتفظ بالجهاز بعيداً عن الأغراض المعدنية الأخرى مثل مشابك الأوراق أو العملات المعدنية أو المفاتيح أو المسامير أو البراغي أو الأغراض المعدنية الصغيرة الأخرى التي قد تتسبب في عمل دائرة قصر (ماس كهربائي) بين أقطاب البطارية. عمل دائرة قصر (ماس كهربائي) بين أطراف التوصيل قد يتسبب في حروق أو نشوب حريق.
- لا تستخدم الجهاز إذا سقط على الأرض أو تعرض لصدمة حادة. سيؤدي الجهاز التالف إلى زيادة خطر نشوب حريق.
- تخلص من البطارية المستعملة على الفور. احتفظ بالمنتج بعيداً عن متناول الأطفال. لا تفككه أو تتخلص منه في النار.
- لا تستخدم أي مجموعات بطارية أو شواحن غير تلك المحددة للمنتج.

## تحذيرات السلامة العامة الخاصة بالآلة

تمنحك القدرة على التعامل والتحكم الآمنين في الآلة في المواقف غير المتوقعة.

### استخدام الآلة العاملة بالبطارية والعناية بها

- لا تُعد شحن الآلة إلا باستخدام الشاحن المحدد بواسطة الشركة الصانعة، فالشاحن الملائم لنوع ما من مجموعات البطارية قد يتسبب في نشوب حريق إذا تم استخدامه مع مجموعة بطارية أخرى.
- استخدم الآلات مع مجموعات البطارية المخصصة لها فقط. لأن استخدام أي مجموعات بطارية أخرى قد يؤدي إلى التعرض لإصابات أو نشوب حريق.
- عند عدم استخدام مجموعة البطارية، احتفظ بها بعيداً عن الأغراض المعدنية الأخرى مثل مشابك الأوراق أو العملات المعدنية أو المفاتيح أو المسامير أو البراغي أو الأغراض المعدنية الصغيرة الأخرى التي قد تتسبب في عمل دائرة قصر (ماس كهربائي) بين أقطاب البطارية. لأن عمل دائرة قصر (ماس كهربائي) بين أطراف البطارية قد يتسبب في حروق أو نشوب حريق.
- في حالات التعامل السيء، قد يحدث ارتشاح للسوائل من البطارية؛ لا تلامسه. إذا حدثت ملامسة بشكل عرضي، فاغسلها بالماء. إذا لامس السائل العينين، فاطلب المساعدة الطبية على الفور. السائل المرشح من البطارية قد يتسبب في حدوث احتياج في الجلد أو حروق.
- لا تستخدم مجموعة البطارية أو الآلة إذا كانا تالفين أو تم إدخال تعديلات عليهما. لأن البطاريات التالفة أو التي تم تعديلها قد تعمل بشكل غير متوقع، وهو ما قد يؤدي لنشوب حريق أو حدوث انفجار أو خطر التعرض لإصابة.
- لا تقم بتعرض مجموعة البطارية أو الآلة للحريق أو درجات الحرارة الزائدة. التعرض لدرجات الحرارة الأعلى من 130 درجة مئوية قد يؤدي لحدوث انفجار.
- اتبع تعليمات الشحن ولا تشحن مجموعة البطارية أو الآلة في نطاق درجة حرارة خارج النطاق المحدد في التعليمات. قد يؤدي الشحن غير المضبوط أو في درجات حرارة خارج النطاق المسموح به إلى تلف البطارية وخطر نشوب حريق.

### الصيانة

- ينبغي إجراء الصيانة على الآلة بواسطة فني إصلاح متخصص باستخدام قطع غيار أصلية مطابقة فقط. فهذا سيضمن المحافظة على سلامة الآلة.
- لا تقم بصيانة مجموعات البطارية التالفة بأي حال من الأحوال. بل ينبغي أن تكون صيانة مجموعات البطارية من خلال الشركة الصانعة أو مقدمي الخدمة المعتمدين فقط.

تحذيرات السلامة لمكبرات الصوت الخارجية المزودة بتقنية البلوتوث

- للمحد من خطر نشوب حريق أو التعرض لصدمة كهربائية، لا تقم بتعرض هذا الجهاز للمطر أو الرطوبة. بل احرص على استخدامه في مكان جاف فقط.
- يجب تشغيل هذا الجهاز في منطقة جيدة التهوية فقط.
- اقرأ هذه التعليمات.

**⚠ تحذير:** اقرأ جميع تحذيرات السلامة والتعليمات والرسوم التوضيحية والمواصفات المرفقة مع هذه الآلة. عدم اتباع جميع التعليمات الواردة أدناه قد يؤدي إلى حدوث صدمة كهربائية أو نشوب حريق أو التعرض للإصابة، أحدهما أو جميعهما.

احتفظ بجميع التحذيرات والتعليمات للرجوع إليها في المستقبل.

### سلامة منطقة العمل

- حافظ على منطقة العمل نظيفة ومضاءة جيداً. حيث عادة ما تتسبب المناطق المظلمة أو التي بها ركام إلى وقوع حوادث.
- لا تقم بتشغيل الآلات في أجواء قابلة للانفجار، على سبيل المثال في وجود سوائل أو مواد بترولية أو غبار قابلة للاشتعال. فقد تتسبب الآلات في صدور شرارة، والتي قد تتسبب في اشتعال الغبار أو الأبخرة القابلة للاشتعال.
- احتفظ بالأطفال والمشاهدين بعيداً عن موقع استعمال الآلة. حيث إن الإلهاءات قد تجعلك تفقد السيطرة على الآلة.

### السلامة الكهربائية

- ينبغي أن يتوافق قابس الآلة مع مقياس التيار. لا يجب إدخال تعديلات على القابس بأي حال من الأحوال. لا تستخدم أي قوابس مهبانية مع الآلات المؤقتة. ستؤدي القوابس غير المُعدلة والمقابس المتوافقة إلى الحد من خطر حدوث صدمة كهربائية.
- تجنب ملامسة الجسم لأسطح مؤرضة مثل الأتيابب والمشعاع والمواقف والثلاجات. هناك خطر متزايد لحدوث صدمة كهربائية إذا كان جسمك مؤرضاً.
- لا تعيث بسلك التيار. لا تقم أبداً باستخدام سلك التيار لحمل الآلة أو سحبها أو فصلها عن التيار. احتفظ بالسلك بعيداً عن مصادر الحرارة أو الزيت أو الحواف الحادة أو الأجزاء المتحركة. تؤدي أسلاك التيار التالفة أو المتشابكة إلى زيادة خطر حدوث صدمة كهربائية.
- عند تشغيل مكبر الصوت في مكان خارجي مفتوح، استخدم سلك تمديد ملائم للاستخدام الخارجي. استخدام سلك ملائم للاستخدام الخارجي يحد من خطر حدوث صدمة كهربائية.
- إذا كان لا بد من تشغيل الآلة في مكان رطب، فاستخدم مصدر تيار محمي بقاطع تيار مؤرض (GFCI). يؤدي استخدام قاطع تيار مؤرض إلى الحد من خطر حدوث صدمة كهربائية.

### السلامة الشخصية

- ابق منتبهاً، وانتبه جيداً لما تفعله، وكن عقلانياً عند تشغيل الآلة. لا تستخدم أي آلة وأنت مجهد أو تحت تأثير المخدرات أو الكحوليات أو الأدوية. قد تؤدي لحظة من عدم الانتباه أثناء تشغيل الآلات إلى حدوث إصابات شخصية خطيرة.

### استخدام الآلة والعناية بها

- احتفظ بالمقايض وأسطح الإمساك جافة ونظيفة وخالية من الزيوت والشحوم. لأن المقايض وأسطح الإمساك المنزلقة لا

## اقرأ جميع التعليمات!



**تحذير:** لضمان السلامة والاعتمادية، يجب تنفيذ جميع أعمال الإصلاح من قبل فني خدمة موهل.

## رموز السلامة

الغرض من رموز السلامة هو جذب انتباهك إلى المخاطر المحتملة. رموز السلامة والشروح المصاحبة لها تستحق اهتمامك وفهمك الدقيق. تحذيرات كل رمز، بنفسها، لا تمنع وقوع أي خطر. التعليمات والتحذيرات التي تمنحك إياها لا تعد بديلاً عن تطبيق الإجراءات الملائمة لمنع وقوع الحوادث.

**تحذير:** احرص على قراءة وفهم جميع تعليمات السلامة في دليل التشغيل هذا، بما في ذلك جميع رموز تنبيهات السلامة، مثل "خطر"، و"تحذير"، و"تنبيه" قبل استخدام هذه الآلة. عدم اتباع جميع التعليمات الواردة أدناه قد يؤدي إلى حدوث صدمة كهربائية أو نشوب حريق أو التعرض للإصابة الشخصية، أحدها أو جميعها.

## تعليمات السلامة

هذه الصفحة تصف وتشرح رموز السلامة التي قد تظهر على هذا المنتج. اقرأ جميع التعليمات المذكورة على الآلة وافهمها واتبعها قبل محاولة تجميع الآلة وتشغيلها.

للحد من خطر التعرض لإصابة، ينبغي على المستخدم قراءة دليل التشغيل.



تنبيه سلامة

لا يجب التخلص من الأجهزة الكهربائية المستهلكة في النفايات المنزلية. توجه بالجهاز إلى مركز إعادة تدوير معتمد.



البلوتوث®

تقييم المطابقة في المملكة المتحدة



هذا المنتج متوافق مع توجيهات شهادة الجودة الأوروبية (CE) المعمول بها.



واط W

تيار مستمر

متر m

هرتز Hz

كيلوجرام kg

الجهد الكهربائي V

مليمتر mm

درجة مئوية °C

## איתור וטיפול בבעיות

בעיה	סיבה	פתרון
הרמקול אינו עובד.	<ul style="list-style-type: none"> <li>■ מארז הסוללה איננו מחובר לרמקול</li> <li>■ לא מתבצע חיבור חשמלי בין הרמקול לסוללה.</li> <li>■ טעינת מארז הסוללה ריקה.</li> <li>■ מארז הסוללה חם מדי.</li> </ul>	<ul style="list-style-type: none"> <li>■ הצמידו את מארז הסוללה אל הרמקול.</li> <li>■ הסירו את מארז הסוללה, בדקו את החיבורים והתקינו מחדש את מארז הסוללה.</li> <li>■ הטעינו את מארז הסוללה.</li> <li>■ קררו את מארז הסוללה עד לטמפרטורה נמוכה מ-67°C.</li> </ul>
הרמקול אינו יכול להתחבר כראוי למכשיר htooteulB.	<ul style="list-style-type: none"> <li>■ מחוץ לטווח צימוד ה- htooteulB.</li> </ul>	<ul style="list-style-type: none"> <li>■ העבירו את המכשיר שלכם קרוב יותר לרמקול.</li> </ul>

## אחריות

### מדיניות האחריות של EGO

ניתן לבקר באתר [egopowerplus.eu](http://egopowerplus.eu) כדי לעיין בתנאים וההתניות המלאים של מדיניות האחריות של EGO.

## תחזוקה

**⚠ אזהרה:** במקרה של עבודות תיקון, השתמש רק בחלקי חילוף זהים. שימוש בחלקי חילוף אחרים עלול לגרום לסכנה או נזק למוצר. על מנת להבטיח בטיחות ואמינות, יש לבצע את כל התיקונים וההחלפות בעזרת טכנאי שירות מוסמך.

**⚠ אזהרה:** על מנת למנוע פציעות אישיות, הסירו תמיד את הסוללה מן המוצר לפני הניקיון או ביצוע כל עבודת תחזוקה.

### תחזוקה כללית

הימנעו משימוש בממסים כאשר אתם מנקים חלקי פלסטיק. רוב חלקי הפלסטיק עלולים להינזק מסוגים שונים של ממסים מסחריים ועל ידי השימוש בהם. השתמשו במטלית נקייה על מנת להסיר לכלוך, אבק, שמן, חומר סיכה וכו'.

**⚠ אזהרה:** לעולם אל תאפשרו לנזלי בלימה, בנזין, מוצרים מבוססי בנזין, שמנים וכו' לבוא במגע עם חלקי פלסטיק. חומרים כימיים עלולים להזיק, להחליש או להרוס את הפלסטיק והדבר עלול לגרום לפגיעה אישית חמורה.

**⚠ אזהרה:** על מנת להפחית את הסיכוי לשרפה, פציעה אישית ולא לגרום לנזק בשל קצר חשמלי, לעולם אין לטבול את המכונה, את הסוללה או את המטען בתוך נוזלים ואין לאפשר לנזלים כלשהם לזרום לתוכם. נוזלים הגורמים לקורוזיה או נוזלים מולכים, כגון מי ים, כימיקלים תעשייתיים מסוימים ומלבינים או מוצרים המכילים מלבינים, עלולים לגרום לקצר.

### אחסון

1. הסירו את מארז הסוללה מן הרמקול.
2. נקו כל חומר זר מהרמקול.
3. אחסנו את הרמקול במקום יבש, מאוורר היטב, הרחק משישי ידם של ילדים. אין לאחסן את הרמקול בקרבת חומרי דישון, חומרי דלק או כימיקלים אחרים.

### הגנה על הסביבה

אין לזרוק ציוד חשמלי, מטעני סוללות וסוללות ביחד עם אשפה ביתית! קחו מוצרים אלו למרכז מחזור מוסמך וודאו שהם זמינים לאיסוף נפרד. יש להחזיר כלים חשמליים אל מתקן מחזור המתאים לסביבה.



### לחצן נגינה/השהיה (איור H)

השתמשו בלחצן הנגינה/השהיה כדי לנגן או להשהות שיר.

לחצו על לחצן הנגינה/השהיה פעמיים במהירות כדי לעבור לשיר/קובץ הבא.

H-1	לחצן נגינה/השהיה
-----	------------------

### הגברת בס (איור I)

■ לחצו על לחצן הגברת הבס כדי להגביר את הבס. לחצן הגברת הבס יישאר מואר כדי לציין שהבס מוגבר.

■ לחצו שוב על לחצן הגברת הבס כדי להחזיר את הבס לרמה הרגילה. אור לחצן הגברת הבס יכבה.

I-1	לחצן להגברת בס
-----	----------------

### מצב הפעלה XUA (איור J)

פתחו את ציפוי הגומי, הכניסו את כבל ה-AUX (לא כולל) ליציאת ה-AUX וודאו שהוא מחובר כראוי.

חברו את מקור המוזיקה החיצוני (נגן MP3 או דומה) לקצה השני של כבל ה-AUX.

הפעילו את הרמקול והתחילו בנגינה.

כאשר הנגינה הסתיימה, נתקו את כבל ה-AUX.

**הערה:** הסוללות של המכשירים המחוברים לא יכולות להיטען באמצעות חיבור ה-AUX.

**הערה:** כאשר הרמקול נכבה, המכשיר המחובר לא נכבה באופן אוטומטי.

J-1	יציאת AUX	J-2	יציאת פלט USB-A
J-3	ציפוי גומי	J-4	יציאת קלט/פלט USB-C

### יציאות מתח BSU (איור J)

כאשר מארז סוללה מותקן או כאשר הרמקול מחובר למתאם מתח זרם ישיר והרמקול מופעל, יציאת הפלט USB-A ויציאת הקלט/פלט USB-C תספקנה כוח טעינה למכשירים בעלי הספק נמוך כגון טלפונים ניידים, נגני 3PM וכו'. נתקו מיד את מכשיר ה-BSU לאחר הטעינה.

**הערה:** יציאת הפלט USB-A יכולה לשמש להשמעת שמע. הפעלת שמע אפשרית רק דרך חיבור Bluetooth או AUX.

**הודעה:** יש לסגור תמיד ציפוי הגומי לאחר כל שימוש כדי להגן על היציאות מאבק, לכלוך ולחות.

D-1	לחצן הפעלה/כיבוי
-----	------------------

למכשיר באמצעות Bluetooth.  
הרמקול המחובר למכשיר יפעל כיחידה "מארכת" והוא יכול לשלוט בנגינה (עוצמת קול, נגינה/השהיה וכו').

**הערה:** ברגע שעוצמת הקול מותאמת על היחידה ה"מארכת", רמקולים מחוברים אחרים מתאימים את עצמם מיד לאותה עוצמת קול כמו היחידה ה"מארכת".

לחצו והחזיקו את לחצן הקישור במשך יותר מ-2 שניות על "המארכת" ועל רמקול המשנה. כאשר הרמקול המחובר מנגן את המוזיקה של היחידה ה"מארכת", זה אומר ששני הרמקולים מחוברים באופן אוטומטי זה לזה.

**הערה:** אם אתם רוצים להתחבר לרמקולים השלישי, הרביעי או התשיעי ושעם מאוחר יותר, אתם רק צריכים ללחוץ ולהחזיק את לחצן הקישור יותר מ-2 שניות על הרמקולים הנוספים.

המרחק בין שני רמקולים מקושרים לא יכול לעלות על 04 מטרים בשדה פתוח.

לחצו והחזיקו את לחצן הקישור במשך יותר מ-2 שניות על היחידה ה"מארכת" או כבו את הרמקולים האחרים כדי לנתק את מערכת הקישור.

בנוסף לחיבור מספר רמקולים, לחצן הקישור יכול גם לשלוט באור הנשימה. לחצו על לחצן הקישור כדי להדליק או לכבות את אור הנשימה. כאשר אין נגינה של מוזיקה, אור הנשימה יכובה בהדרגה עד שיכובה לחלוטין, ואז יחזור בהדרגה לעוצמת האור המרבית.

F1-1	לחצן קישור	F2-1	אור נשימה
------	------------	------	-----------

### הגדרת עוצמת הקול (איור G)

הרמקול כולל 16 רמות עוצמת קול.

■ כדי להפחית את עוצמת הקול, לחצו על לחצן "-". פעם אחת כדי להפחית את עוצמת הקול ברמה אחת.

■ לחצו והחזיקו את לחצן "-" כדי להפחית את העוצמה בהדרגה. אתם יכולים להפסיק ללחוץ על לחצן "-". כאשר עוצמת הקול מגיעה לרמה הרצויה עבורכם.

■ כדי להגביר את עוצמת הקול, לחצו על לחצן "+" פעם אחת כדי להגביר את עוצמת הקול ברמה אחת.

■ לחצו והחזיקו את לחצן "+" כדי להגביר את העוצמה בהדרגה. אתם יכולים להפסיק ללחוץ על לחצן "+" כאשר עוצמת הקול מגיעה לרמה הרצויה עבורכם.

כיוון עוצמת הקול לא יכול רק לכוון את עוצמת הקול של הרמקול, אלא גם יכול לכוון את עוצמת הקול במכשיר.

**הערה:** כאשר עוצמת הקול מכוונת למקסימום, יישמע צליל שיודיע שעוצמת הקול המרבית הושגה.

G-1	לחצן הפחיתה והגברה של עוצמת הקול
-----	----------------------------------

### מצב הפעלת BLUETOOTH® (איור E)

לאחר שתפעילו את הרמקול, צימוד ה-Bluetooth® יופעל באופן אוטומטי, כפי שמצוין על ידי לחצן ה-Bluetooth® המהבהב בלבן.

■ הפעילו את פונקציית Bluetooth® במכשיר שאמור להתחבר (טלפון חכם או דומה) ובחרו ב-EGO SK1800E "מכשיר של חיבור ה-Bluetooth® במכשיר שלכם.

■ צליל יודיע על החיבור ולחצן ה-Bluetooth® יישאר מואר לאחר שהמכשיר יתחבר בהצלחה.

**הערה:** אם הוא היה מחובר בעבר למכשיר הרצוי, הרמקול יתחבר באופן אוטומטי לאותו מכשיר כאשר הרמקול נדלק.

**הערה:** אם לרמקול פתאום אין צליל או שהוא מנגן צליל מדיה אחר, פירוש הדבר שהמכשיר השני המחובר לקח את השליטה על הרמקול והציג פרסומת שקטה או שיר מסוים.

מצב החיבור של ה-Bluetooth® יהיה פעיל רק במשך 3 דקות וכיבה האופן אוטומטי אם אין מכשיר מחובר/מוצמד.

לחצו בקצרה על לחצן ה-Bluetooth®, לחצן ה-Bluetooth® מתחיל להבהב כדי לציין שניתן לחבר מכשיר.

שני מכשירים יכולים להתחבר לרמקול באמצעות Bluetooth® באותו הזמן.

■ לאחר שהמכשיר הראשון מחובר, לחצו על לחצן ה-Bluetooth® עד שהוא מתחיל להבהב.

■ ברגע שלחצן ה-Bluetooth® מתחיל להבהב, בחרו ב-"EGO SK1800E" במכשיר השני וחברו אותו לרמקול. לאחר שהחיבור הצליח, תהיה הודעת קול על כך שהמכשיר השני התחבר גם הוא.

**הערה:** אם יש בעיית השמעה, הפעילו מחדש את הרמקול.

**כדי לנתק את התקן ה-Bluetooth®:** לחצו והחזיקו את לחצן ה-Bluetooth® במשך יותר מ-2 שניות או נתקו את הרמקול במכשיר שלכם.

E-1	לחצן Bluetooth®
-----	-----------------

### כדי לחבר מספר יחידות SK1800E באמצעות קישור (איור F1, F2)

ניתן לחבר עד 100 רמקולי SK1800E באמצעות הקישור.

הפעילו את הרמקולים וודאו שאחד מהרמקולים מחובר

HE

B1-1	חריץ הרכבה	B1-2	עורק
B1-3	כפתור שחרור סוללה		

## שימוש במתאם מתח הזרם הישיר (לא כלול)

מתאם מתח הזרם הישיר אינו כלול כאשר המכשיר נשלח. מתאם וכבל טעינה העומדים בפרוטוקול DP ועולים על W60 יכולים לשמש כמתאמי מתח.

**הערה:** בעת השימוש במתאם מתח זרם ישיר בלבד, איכות הצליל והעוצמה של המוזיקה עשויות להיות מושפעות.

פתחו את ציפוי הגומי והכניסו את תקע מתאם מתח הזרם הישיר ליציאת קלט/פלט USB-C בחלק האחורי של הרמקול. חברו את המתאם לשקע חשמל סטנדרטי (איור C1).

בכל פעם שמתאם המתח מחובר, מארז הסוללה המוכנס נטען באופן אוטומטי. נקודת האור הקטנה מעל סימן המצב של הטעינה תהבהב בלבן. כאשר מארז הסוללה טעון במלואו, נקודת האור הקטנה תאיר בלבן מוצק. כאשר נקודת האור הקטנה מאירה באדום מוצק, זה אומר שהסוללה פגומה (איור C2).

יש לנתק את מתאם מתח הזרם הישיר מיציאת כניסת המתח כאשר המוצר איננו בשימוש.

**הערה:** מארז הסוללה ומכשירי USB כגון טלפונים ניידים, נגיני MP3 וכו' המחוברים ליציאת פלט ה-USB-A יכולים להיטען כאשר מתאם מתח הזרם הישיר מחובר.

הודעה: יש לסגור תמיד ציפוי הגומי לאחר כל שימוש כדי להגן על היציאות מאבק, לכלוך ולחות.

C1-1	מתאם מתח זרם ישיר	C1-2	יציאת קלט/פלט USB-C
C1-3	ציפוי גומי	C2-1	נקודה קטנה
C2-2	מחונן טעינה		

## הפעלה וכיבוי של הרמקול (איור D)

לחצו בקצרה על לחצן ההפעלה/כיבוי, הרמקול יידלק ואור לחצן ההפעלה/כיבוי יישאר מואר וצליל יודיע על החיבור.

כדי לכבות את הרמקול, לחצו על לחצן ההפעלה/כיבוי למשך זמן קצר. צליל יודיע על ההתנתקות.

**הערה:** הרמקול נכבה באופן אוטומטי לאחר 20 דקות, אם אין מוזיקה מנוגנת או אין פלט מיציאות ה-USB-A או ה-USB-C.

1. ידית
2. לוח בקרה
3. כפתור שחרור סוללה
4. אור נשימה
5. ציפוי גומי
6. יציאת AUX
7. יציאת פלט USB-A
8. יציאת קלט/פלט USB-C
9. מחונן טעינה
10. לחצן הפעלה/כיבוי
11. לחצן Bluetooth
12. לחצן קישור
13. לחצן להפחתת עוצמת קול
14. לחצן להגברת עוצמת קול
15. לחצן נגינה/השהיה
16. לחצן להגברת בס

## הפעלה

### יישום

ניתן להשתמש במוצר אך ורק לצורך המטרות המפורטות להלן

- השמעת שמע ממכשירים מחוברים באופן אלחוטי או באמצעות כבל XUA.

### חיבור/הסרה של מארז הסוללה

יש להשתמש רק במארזי הסוללה והמטענים של EGO המפורטים באיור A2.

עיינו במדריכי הסוללות והמטענים התואמים לפרטים נוספים.

### יש לבצע הטענה מלאה לפני השימוש הראשון.

**הערה:** כאשר הטעינה של מארז הסוללות חלשה יישמע צליל לתזכורת.

### חיבור

ישרו את עורקי הסוללה עם חריצי ההרכבה ולחצו את מארז הסוללה כפי מטה עד הישמע "קליק" (איור B1).

### הסרה

לחצו על כפתור שחרור הסוללה והוציאו את מארז הסוללה (איור B2).

**⚠ אזהרה:** שימו לב תמיד אל המיקום של הרגליים שלכם, מיקום ילדים או חיות מחמד, בעת לחיצה על כפתור שחרור הסוללה. עלולה להיגרם פציעה חמורה אם הסוללה תיפול. לעולם אל תסירו את הסוללה במקומות גבוהים.



- השליכו סוללה משומשת בהקדם. הרחיקו מהישג ידם של ילדים. אין לפרק ואין להשליך לאש.
- יש להשתמש רק במארזי הסוללה ובמטענים המומלצים.
- יש לשמור על הוראות אלו. יש לעיין בהוראות לעתים תכופות ולעקוב אחריהן כדי שתוכלו להדריך אחרים העשויים להשתמש במכונה. אם אתם מלווים את המכונה למישהו אחר, תנו לו גם את ההוראות הללו על מנת למנוע שימוש לא נכון של המוצר או פציעות אפשריות.

## מפרטים

מתח	56V
מתח למתאם מתח זרם ישיר	Hz 60/50 ~V 240-100
מתח פלט	180W
פלט מתח מגביר	וופר: 1 x 80W
	טוויטר: 2 x 10W
אמצע: 2 x 40W	
יציאת AUX	3.5 מ"מ
פלט USB-A	2 A, 5 V
קלט/פלט USB-C	/ DC5V 3A / DC9V 3A / DC12V 3A / DC15V 3A DC20V 5A
טווח Bluetooth®	< 55 מ'
משקל (ללא מארז סוללה)	7.7 ק"ג
טמפרטורת הפעלה מומלצת	15°C עד 40°C
טמפרטורת אחסון מומלצת	20°C עד 70°C
שיעור הגנת חדירה	ינפמ (הגנה) IP54* אבק והתזת מים)

\* הערה: דירוג IP54 מבוסס על המנגנון.

## רשימת אריזה (איור A1)

### תיאור

הכירו את רמקול ה-BLEETOOTH החיצוני שלכם (איור A1)

- הפעילו מכשיר זה רק באזור מאורר היטב.
- קראו הוראות אלו.
- שימו לב לכל האזהרות.
- עקבו אחר כל ההוראות.
- אל תשתמשו במכשיר זה ליד מים.
- נקו רק עם בד יבש.
- אין לחסום את פתחי האוורור. התקינו בהתאם להוראות היצרן.
- אין להתקין ליד מקורות חום כגון רדיאטורים, תנורים חמים, כיריים או מכשירים אחרים (כולל מגברים) המייצרים חום.
- השתמשו רק בצרופות/אביזרים המומלצים או הנמכרים על-ידי היצרן.
- השתמשו רק עם העגלה, הסטנד, החצובה, הסוגר או השולחן שצוינו על ידי היצרן, או שנמכרים ביחד עם המכשיר. כאשר משתמשים בעגלה, יש לנקוט משנה זהירות בעת העברת המכלול של העגלה/מכשיר כדי למנוע פציעה מהתהפכות.
- כל עבודות השירות תתבצענה על ידי אנשי שירות מוסמכים. נדרש שירות כאשר המכשיר נפגע בכל דרך, כגון אם כבל או תקע אספקת החשמל נפגעו, נזולים נשפכו או חפצים נפלו לתוך המכשיר, המכשיר נחשף לגשם או ללחות, המכשיר אינו פועל כרגיל, או אם הוא נפל. שירות או תחזוקה המבוצעים על ידי אנשי צוות שאינם מוסמכים עלול לגרום לסיכון לפציעה.
- מכשיר המופעל על ידי סוללות עם סוללות משולבות או עם מארז סוללות נפרד חייב להיטען רק עם המטען המצויין עבור הסוללה. מטען אשר עשוי להתאים לסוג אחד של סוללות עלול ליצור סכנת אש בעת השימוש עם סוג סוללה אחר.
- לעולם אין לפרק את המכשיר או לבסות לעשות חיווט מחדש במערכת החשמל של המכשיר.
- שימרו על המכשיר. יש לוודא שאין אי התאמה, שבירה של חלקים ותנאים אחרים אשר עלולים להשפיע על פעולת המכשיר. אם המכשיר פגום, תקנו אותו לפני שימוש חוזר. יש להשתמש במכשיר בהתאם להוראות אלו, ולקחת בחשבון את תנאי הסביבה בעת ההפעלה ואת העבודה שיש לבצע. השימוש במכשיר לפעולות שלהן הוא אינו מיועד עלול להוביל למצב מסוכן.
- שימרו עליה במרחק מסוים מעצמים אחרים העשויים ממתכת, כמו מהדקי נייר, מטבעות, מפתחות, מסמרים, ברגים או עצמים קטנים ממתכת העלולים לבצע חיבור של מסוף אחד למשנהו. ביצוע קצר בין המסופים עלול לגרום לכוויות או שרפה.
- אין להשתמש במכשיר אם הוא נפל או קיבל מכה חזקה. מכשיר פגום יגביר את הסיכון לפציעה.

HE

## אזהרות בטיחות כלליות למכשיר

**⚠ אזהרה:** קראו את כל אזהרות הבטיחות, את ההוראות, התמונות והמפרטים המסופקים ביחד עם מכשיר זה. אי מילוי כל ההוראות המופיעות למטה עלול לגרום להלם חשמלי, שרפה ולאן פציעה חמורה.

שימרו את כל האזהרות וההוראות לעיון עתידי.

### בטיחות סביבת העבודה

- שימרו על סביבת העבודה נקייה ומוארת כהלכה. אזורים עמוסים או חשוכים מזמינים תאונות.
- אל תפעילו מכשירים באזורים דליקים, בנוכחות נוזלים דליקים, דלק או אבק. מכשירים מייצרים ניצוצות שעלולים להצית את האבק או האדים.
- בקשו מילדים ומעוברי אורח להתרחק מן המכשיר בעת הפעלתו. הסחות דעת עלולות לגרום לכם לאבד שליטה.

### בטיחות חשמלית

- התקעים של המכשיר צריכים להיות מתאימים לשקע. לעולם אל תשנו את התקע בכל צורה שהיא. אל תשתמשו במתאמים עבור תקעים של מכשירים בעלי הארקה. תקעים שלא שונו ושקעים מתאימים יפחיתו את הסיכון לשוק חשמלי.
- הימנעו ממגע עם משטחים בעלי הארקה, כגון צינורות, רדיאטורים, כיריים ומקררים. יש סיכון גבוה להלם חשמלי אם הגוף שלכם מוארק.
- אל תפעילו לחץ על הכבל. לעולם אל תשתמשו בכבל על מנת לשאת, למשוך או להוציא את המכשיר מן השקע. שימרו על הכבל הרחק ממקורות חום, שמש, קצוות חדים או חלקים נעים. כבלים ניזוקים או מלופפים מגבירים את הסיכון לשוק חשמלי.
- בעת הפעלת הרמקול בחוץ, עשו שימוש בכבל מאריך המתאים לשימוש בחוץ. השימוש בכבל מאריך המתאים לשימוש בחוץ מפחית את הסיכון לשוק חשמלי.
- אם לא ניתן להימנע מהפעלת המכשיר במקום לח, עשו שימוש במפסק פחת להגנה על המתח. השימוש במפסק פחת מפחית את הסיכון להתחשמלות.

### בטיחות אישית

- יש להישאר דרוכים ומוודעים, ולהשתמש בשכל הישר בעת שימוש במכשיר. נא לא להשתמש במכשיר כאשר אתם עייפים או תחת השפעה של סמים, אלכוהול או תרופות. רגע אחד של חוסר תשומת לב בעת הפעלת מכשירים עלול לגרום לפציעה אישית חמורה.

### השימוש והטיפול במכשיר

- שימרו על הידיות ועל חלקי האחיזה יבשים, נקיים וללא שמן או חומרי סיכה. ידיות ומשטחי אחיזה מחליקים לא מאפשרים טיפול נכון ושליטה במכשיר במצבים לא צפויים.

### השימוש והטיפול בסוללת המכונה

- הטעינו רק עם המטען המצוין על ידי היצרן. מטען המתאים למארז סוללה אחד עלול ליצור סכנת אש עבור מארז סוללה אחר.
- יש להשתמש במכשירים אך ורק עם מארזי הסוללה המיועדים להם. השימוש במארזי סוללה אחרים עלול ליצור סיכון לפציעות ושרפות.
- כאשר מארז הסוללה איננו בשימוש, שימרו עליו במרחק מסוים מעצמים אחרים העשויים ממתכת, כגון מהדקי נייר, מטבעות, מפתחות, מסמרים, ברגים או עצמים קטנים ממתכת העלולים לבצע חיבור של מסוף אחד למשנהו. ביצוע קצר בין מסופי הסוללה עלול לגרום לכוויות או שריפה.
- בתנאי שימוש לא נאותים, נוזל עלול להיפלט מן הסוללה; הימנעו ממגע עמו. אם ישנו מגע מקרי, שטפו את האזור במים. אם מתרחש מגע עם העיניים, פנו לעזרה רפואית. נוזל הנפלט מן הסוללה עלול לגרום לפריחה או כוויות.
- אל תשתמשו במארז סוללה או מכשיר ניזוקים או אשר שונו. סוללות ניזוקות או אשר שונו עלולות להתנהג בצורה לא צפויה אשר עלולה להסתיים בשרפה, פיצוץ או סיכון לפציעה אישית.
- אל תחשפו את מארז הסוללה או את המכשיר לאש או לטמפרטורות גבוהות. חשיפה אל אש או לטמפרטורות הגבוהות מ-031°C עלולה לגרום לפיצוץ.
- בצעו את כל הוראות ההטענה ואל תטעינו את מארז הסוללה או את המכשיר מחוץ לטווחי הטמפרטורה המצוינים בהוראות אלו. הטענה לא נכונה או מחוץ לטווחי הטמפרטורה המצוינים עלולים לגרום לנזק ולהעלות את הסיכון לשרפה.

### שירות

- בצעו עבודות שירות במכשיר שלכם רק באמצעות טכנאי שירות מוסמך העושה שימוש בחלקי חילוף זהים בלבד. הדבר יבטיח בטיחות המכשיר נשמרת.
- לעולם אל תבצעו עבודות שירות למארזי סוללה ניזוקים. תיקון של מארזי סוללה צריך להתבצע רק על ידי היצרן או ספקי שירות מוסמכים.
- אזהרות בטיחות לרמקול BLUETOOTH חיצוני
- על מנת להפחית את הסיכון לשרפה או לשוק חשמלי, אין לחשוף מכשיר זה לגשם או לחות. יש להשתמש במיקום יבש בלבד.

## קראו את כל ההוראות!

קראו את מדריך ההוראות

**אזהרה:** על מנת להבטיח בטיחות ואמינות, יש לבצע את כל התיקונים וההחלפות בעזרת טכנאי שירות מוסמך.

### סימני בטיחות

מטרתם של סמלי הבטיחות היא למשוך את תשומת לבך לסכנות אפשריות. סמלי הבטיחות וההסברים שלהם דורשים את תשומת הלב וההבנה המלאות שלך. סמלי הבטיחות בעצמם לא ימנעו כל סכנה. ההוראות והאזהרות אותן הם מספקים לא תחלפנה נקיטת אמצעי מניעה מתאימים בעת תאונה.

**אזהרה:** ודאו שאתם קוראים ומבינים את כל הוראות הבטיחות המופיעות במדריך זה למשתמש, כולל כל סימני התראות הבטיחות כגון "סכנה", "אזהרה" ו"זהירות" לפני השימוש במכשיר. אי מילוי כל ההוראות המופיעות למטה יכול לגרום להתחשמלות, שרפה ו/או פציעות אישיות חמורות.

### הוראות בטיחות

עמוד זה מציין ומתאר את סימני הבטיחות העשויים להופיע על גבי המוצר. קראו, הבינו ועקבו אחר ההוראות המופיעות על המכשיר לפני כל ניסיון להרכיב ולהשתמש בו.

כדי להפחית את הסיכון לפציעות, יש לקרוא את המדריך למשתמש.



התראת בטיחות



אין לזרוק מוצרים חשמליים עם האשפה הביתית. יש להביא את המכשיר למרכז מחזור מוסמך.



Bluetooth®



הערכת התאמה בבריטניה



מוצר זה תואם לתקנות ה-CE הרלוונטיות.



W וואט

זרם ישיר

m מונה

Hz הרץ

ק"ג קילוגרם

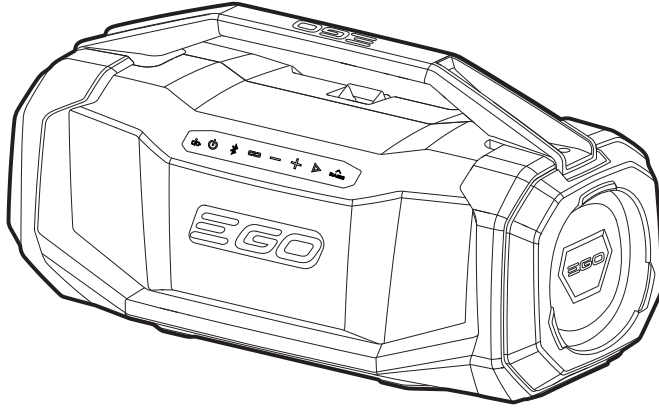
V מתח

מ"מ מילימטר

°C צלזיוס

# EGO™

POWER+ SPEAKER



**SK1800E**

HE רמקול BLUETOOTH חיצוני ליתיום-יון 56V  
AR מכבר صوت בלוטוּת חארגי בبطارية ليثيوم أيون 56 فولت

