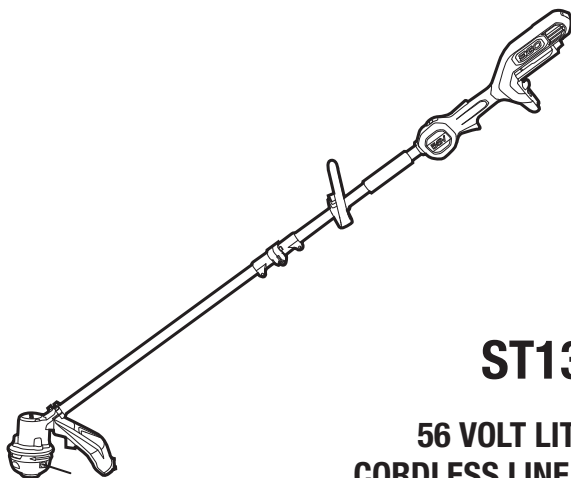


EGO™

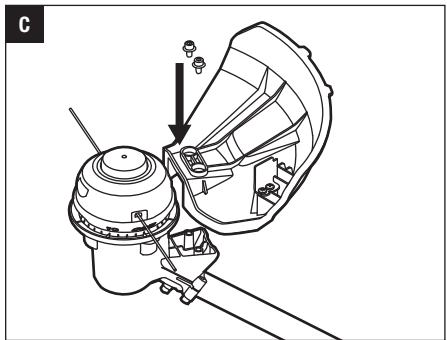
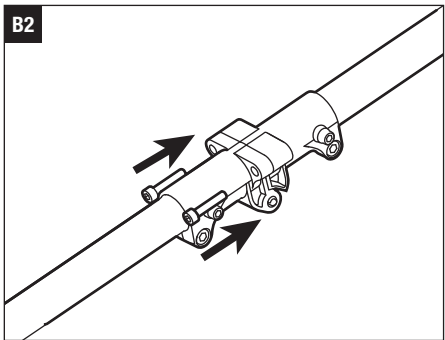
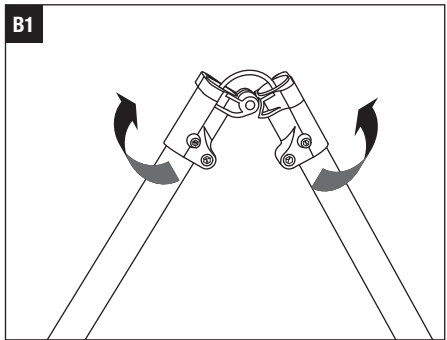
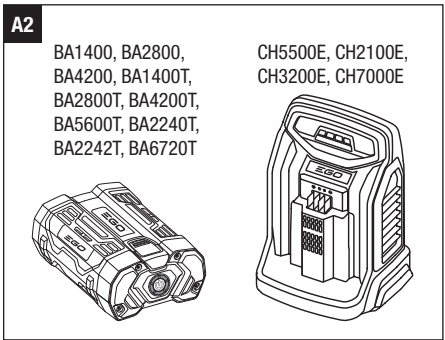
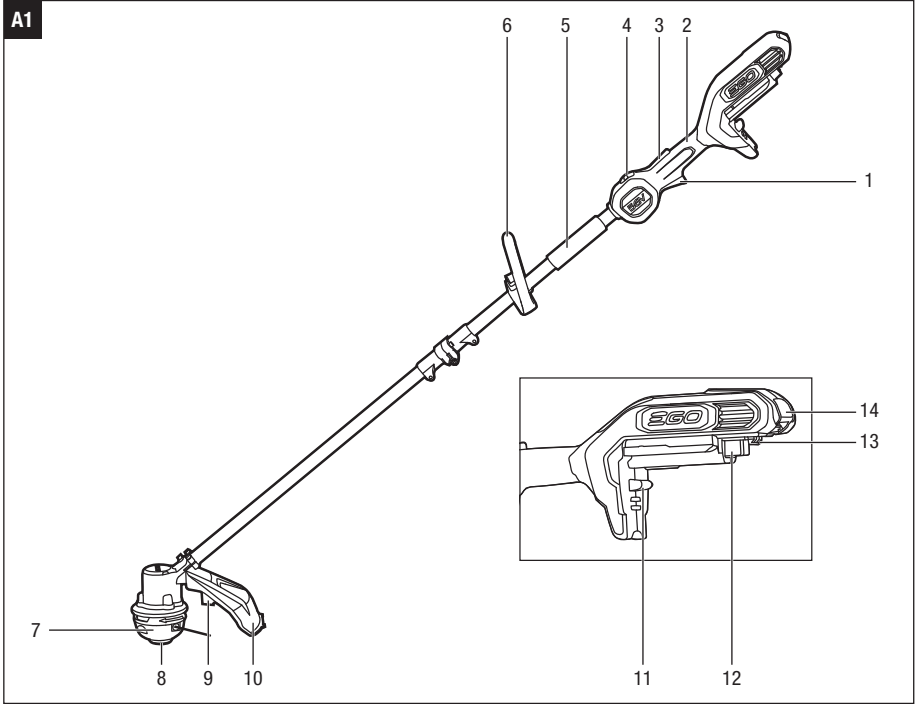
POWER⁺ LINE TRIMMER

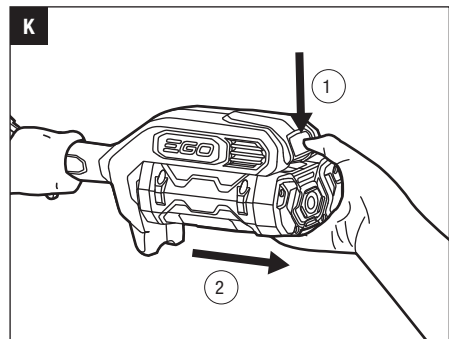
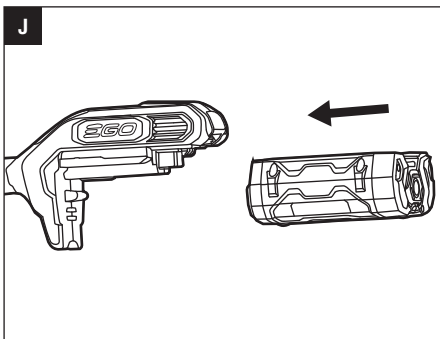
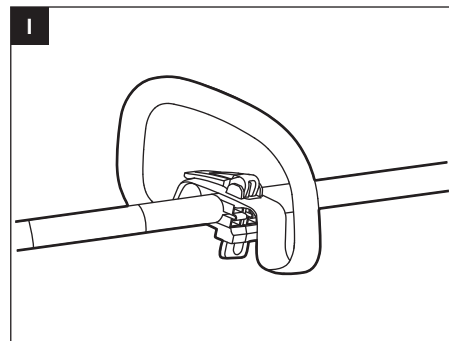
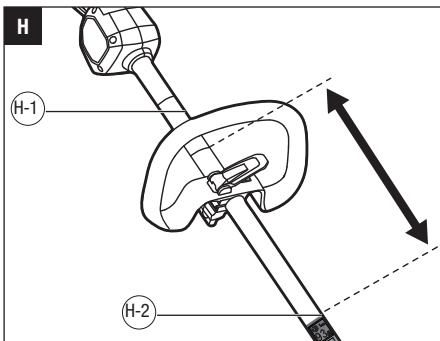
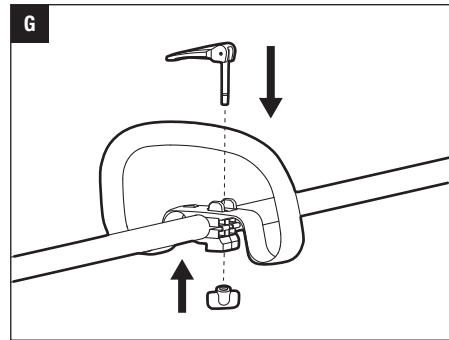
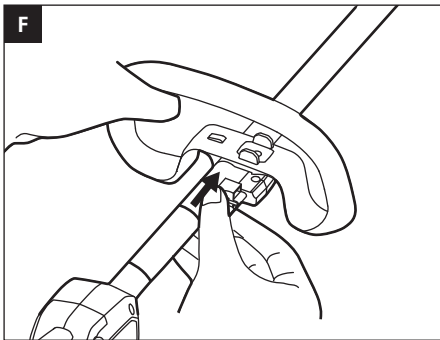
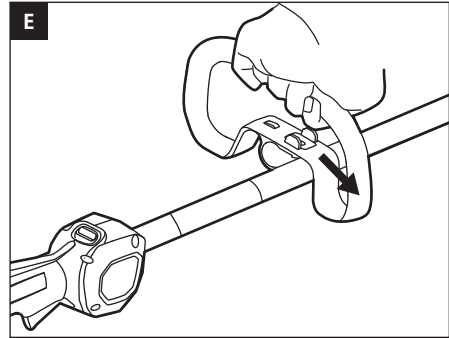
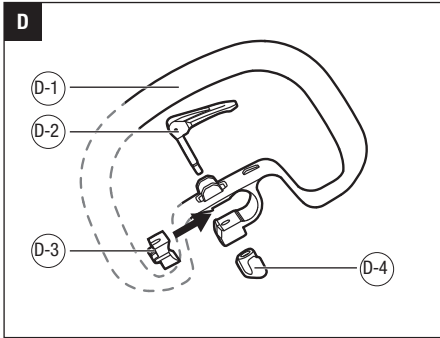


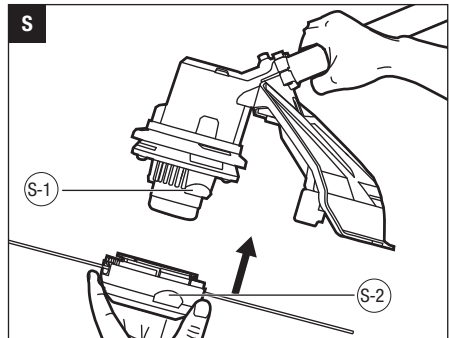
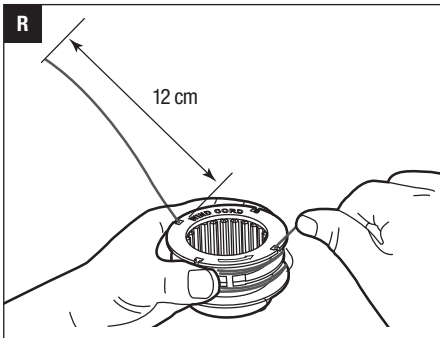
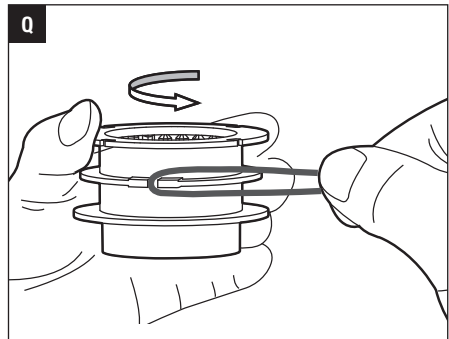
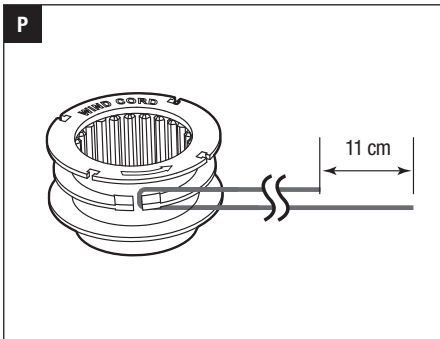
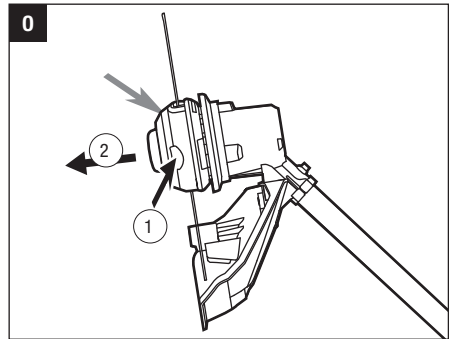
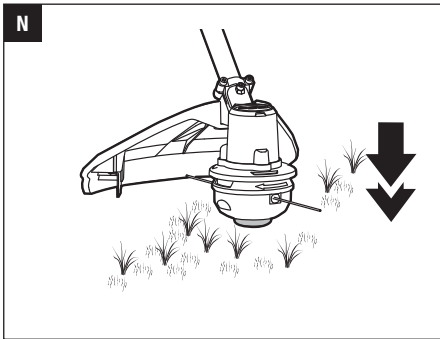
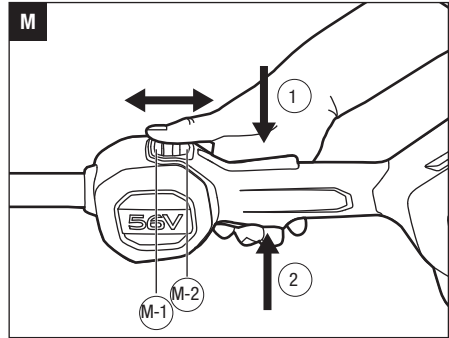
ST1300E-S

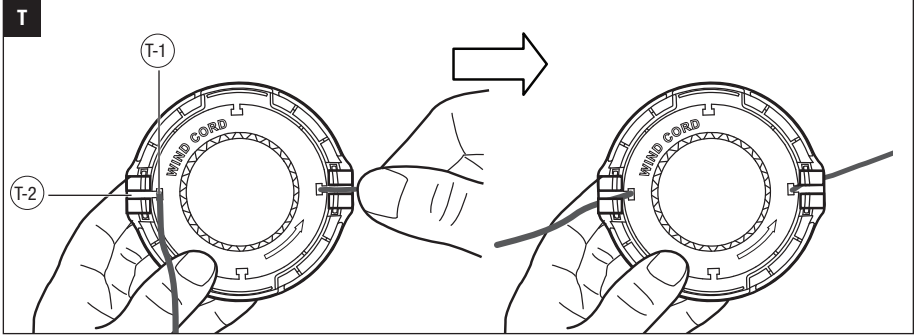
56 VOLT LITHIUM-ION CORDLESS LINE TRIMMER

| | | | | | |
|----|--|-----|----|---|-----|
| EN | 56 volt lithium-ion cordless line trimmer | 6 | LT | 56 voltų ličio jonų belaidis pjūklas su siūlu | 133 |
| DE | Kabelloser fadenmäher 56 volt | 13 | LV | 56 voltu litija jonu bezvadu trimmeris ar auklu | 140 |
| FR | Taille-bordure sans fil lithium-ion 56 v | 20 | GR | Ασύρματο χλοοκοπτικό με νημάλιου - ιονταν 56 volt | 147 |
| ES | Recortadora de hilo inalámbrica de 56 voltios | 27 | TR | 56 volt lityum-iyon kablosuz misinali çim biçme makinesi | 154 |
| PT | Aparador de fio sem fios de 56 volts | 35 | ET | 56-voldise liitiumioonakuga juhtmata jõhvtrimmer | 161 |
| IT | Decespugliatore senza fili li-ion 56 volt | 42 | UK | 56-вольтний літій-іонний акумуляторний лісовий тример | 168 |
| NL | 56 volt lithium-ion accugrastrimmer | 49 | BG | 56 волта литиево-йонен безкабелен кордов тример | 175 |
| DK | 56 volt lithium-ion akku græstrimmer | 56 | HR | Bežični šišač sa žinjom od 56 volti | 182 |
| SE | 56 volt lithium-ion-batteri sladdlös grästrimmer | 63 | KA | 56 ვოლტიანი ლითიუმ-იონის აკუმულატორიანი უსადენო ელექტრო სათიბი | 189 |
| FI | 56 voltin litium-ion akkukäyttöinen siimaleikkuri | 70 | SR | Bežični trimer sa strunom i litijum-jonskom baterijom od 56 volti | 198 |
| NO | 56 volt lithium-ion gresstrimmer uten ledning | 77 | BS | Akumulatorski trimer s reznom niti i litij-ionskom baterijom od 56 V | 205 |
| RU | Беспроводной триммер с леской и литий-ионным аккумулятором 56 в | 84 | HE | גזם דשא אלחוטי ליתיום-56 וולט | 227 |
| PL | Podkaszarka bezprzewodowa z baterią litowo-jonową 56 voltów | 91 | AR | جزارة عاملمة بالخيوط لاسلكية ببطارية ليثيوم-أيون 56 فولت | 220 |
| CZ | 56voltová lithium-iontová akumulátorová strunová sekačka | 98 | | | |
| SK | 56V lítium-iónová bezdrôtová strunová kosačka | 105 | | | |
| HU | 56 voltos vezeték nélküli lítium-ion motoros láncfűrés | 112 | | | |
| RO | Trimmer cu fir și cu acumulator de litiu ion de 56 volți | 119 | | | |
| SL | 56-voltna litij-ionska brezžična kosilnica | 126 | | | |









EN READ ALL INSTRUCTIONS!



READ OPERATOR'S MANUAL

⚠ WARNING: Residual risk! People with electronic devices, such as pacemakers, should consult their physician(s) before using this product. Operation of electrical equipment in close proximity to a heart pacemaker could cause interference or failure of the pacemaker.



Safety Alert



Wear Eye Protection-Always wear safety goggles or safety glasses with side shields and a full face shield when operating this product.



Wear Ear Protection-Always wear ear protection when operating this product.



Wear Head Protection-Wear an approved safety hard hat to protect your head.



Do not install round cutting blades.



Cutting width-The Max. cutting width of line trimmer



Ensure that other people and pets remain at least 15m away from the line trimmer when it is in use.



This product is in accordance with applicable EC directives.



Waste electrical products should not be disposed of with household waste. Take to an authorized recycler.

V Voltage

.../min Per Minute

kg Kilogram

SAFETY SYMBOLS

⚠ WARNING: The operation of any power tools can result in foreign objects being thrown into your eyes, which can result in severe eye damage. Before beginning power tool operation, always wear safety goggles or safety glasses with side shields and a full face shield when needed. We recommend a Wide Vision Safety Mask for use over eyeglasses or standard safety glasses with side shields.



To reduce the risk of injury, user must read the operator's manual.



Wear Safety Footwear-Wear non-slip safety footwear when using this equipment.



Wear Protective Gloves-Protect your hands with gloves when handling blade or blade guard.



Beware of blade thrust-Warn the operator of the danger of blade thrust.



Line diameter-The Diameter of the nylon cutting line



Thrown objects can ricochet and result in personal injury or property damage. Ensure that other people and pets remain away from the brush cutter when it is in use.



Do not use in the rain or leave outdoors while it is raining.



This product is in accordance with applicable UK legislation.



Guaranteed sound power level. Noise emission to the environment according to the European community's Directive.

n_0 No Load Speed-Rotational speed, at no load

⚡ Direct Current

SPECIFICATIONS

| | | |
|--|-----------------------------------|--|
| Voltage | 56 V --- | |
| No-load Speed | High: 6500 /min Low: 5200 /min | |
| Cutting Mechanism | Bump Head | |
| Cutting Line Type | 2.0mm Nylon twist line | |
| Cutting Width | 33 cm | |
| Recommended Operating Temperature | 0°C-40°C | |
| Recommended Storage Temperature | -20°C-70°C | |
| Weight (without battery pack) | 2.76 kg | |
| Measured sound power level L_{WA} | 92.1 dB(A) K=1.6 dB(A) | |
| Max. sound pressure level at operator's ear L_{PA} | 72.6 dB(A) K=2.5 dB(A) | |
| Guaranteed sound power level L_{WA} (according to 2000/14/EC) | 94 dB(A) | |
| Valuation of vibration a_h | Front handle | 3.3 m/s ² K=0.9 m/s ² |
| | Rear handle | 1.9 m/s ² K=1.5 m/s ² |

- The declared vibration total value has been measured in accordance with a standard test method and may be used for comparing one tool with another;
- The declared vibration total value may also be used in a preliminary assessment of exposure.

NOTICE: The vibration emission during actual use of the power tool can differ from the declared value in which the tool is used; In order to protect the operator, user should wear gloves and ear protectors in the actual conditions of use.

PACKING LIST (Fig. A1)

DESCRIPTION

KNOW YOUR LINE TRIMMER (Fig. A1)

1. Trigger
2. Rear Handle
3. Lock-off Lever
4. Speed Adjustment Switch
5. Soft Sleeve
6. Adjustable Front-assist Handle
7. Trimmer Head (Bump Head)
8. Bump Knob

9. Line-cutting Blade
10. Guard
11. Ejection Mechanism
12. Electric Contacts
13. Latch
14. Battery-release Button

ASSEMBLY

UNFOLDING THE SHAFT

⚠ WARNING: Do not hold the shaft at the joints in order to avoid pinching your hands or fingers.

⚠ WARNING: Do not attempt to start the trimmer until the shaft has been locked. Unfold the shaft gently, ensuring the cable inside the shaft, and lock it with two screws by the supplied wrench (Fig. B1 & B2).

MOUNTING THE GUARD

Align the guard mounting holes with the assembly holes and then lock the guard onto the shaft base with the two screws. Make sure the guard is fixed according to Fig. C, any reverse fixing will cause great danger!

MOUNTING AND ADJUSTING THE FRONT-ASSIST HANDLE

Push the front-assist handle onto the shaft (Fig. E), then insert the clamping block into the handle slot (Fig. F), mount the lock pole, lock them with the wing nut (Fig. G). The sequence is as Fig. D shown. Lastly, adjust the front-assist handle position to make sure your front arm is straight when using the trimmer (Fig. H) and then lock the lever of the lock pole (Fig. I).

Fig. D & H parts description see below:

| | | | |
|-----|---------------------|-----|---------------|
| D-1 | Front-assist Handle | D-4 | Wing Nut |
| D-2 | Lock Pole | H-1 | Soft Sleeve |
| D-3 | Clamping Block | H-2 | Warning Label |

NOTICE: The front-assist handle should be turned upwards to point toward the top of the handle.

⚠ WARNING: Only fix the front-assist handle in front of the soft sleeve on the shaft.

⚠ WARNING: The tool can not be used without the front-assist handle reliably fixed.

EN OPERATION

⚠ WARNING: Do not allow familiarity with this product to make you careless. Remember that a careless fraction of a second is sufficient to inflict serious injury.

⚠ WARNING: Always wear eye protection with side shields, along with hearing protection. Failure to do so could result in objects being thrown into your eyes and other possible serious injuries.

⚠ WARNING: Do not use any attachments or accessories not recommended by the manufacturer of this product. The use of attachments or accessories not recommended can result in serious personal injury.

⚠ WARNING: Use your line trimmer equipped with the appropriate cutting line only for cutting grass and similar material.

You may use this product for the purposes listed below:

Trimming: used for removing grass and weeds up against walls, fences, trees and borders.

Cutting: used for cutting the grass that is difficult to reach using a normal mower.

NOTICE: The tool is to be used only for its prescribed purpose. Any other use, for example edge trimming, is deemed to be a case of misuse.

ATTACHING/DETACHING THE BATTERY PACK

Fully charge before first use.

Use only with battery packs and chargers listed in fig.A2

To Attach

Align the battery ribs with the mounting slots and press the battery pack down until you hear a “click” (Fig. J).

To Detach

Depress the battery-release button and pull the battery pack out as Fig. K shown.

HOLDING THE LINE TRIMMER

⚠ WARNING: Dress properly to reduce the risk of injury when operating this tool. Do not wear loose clothing or jewelry. Wear eye and ear/hearing protection. Wear heavy duty, long trousers, boots and gloves. Do not wear short trousers, sandals or go barefoot.

Before operating, hold the trimmer with both hands, one hand on the rear handle and the other on the front-assist

handle which shall be straight (Fig. L). Then check for balanced footing and a proper cutting distance without operator bending over.

STARTING/STOPPING THE LINE TRIMMER

To Start

Press down the lock-off lever and hold it in that position. Depress the trigger to turn on the line trimmer as Fig. M shown.

To Stop

Release the lock-off lever and the trigger.

NOTICE: The motor has two speeds for cutting, Position “1” for lower speed and Position “2” for high speed, as Fig. M shown. Just push the speed adjustment switch to the suitable position during cutting.

Fig. M parts description see below:

| | |
|-----|------------|
| M-1 | Position 1 |
| M-2 | Position 2 |

⚠ WARNING: Always remove the battery pack from the line trimmer during work breaks and after finishing work.

USING THE LINE TRIMMER

⚠ WARNING: To avoid serious personal injury, wear goggles or safety glasses at all times when operating this unit. Wear a face mask or dust mask in dusty locations.

Clear the area to be cut before each use. Remove all objects, such as rocks, broken glass, nails, wire, or line, that can be thrown or become entangled in the cutting attachment. Clear the area of children, bystanders, and pets. At a minimum, keep all children, bystanders and pets at least 15m away; there still may be risk to bystanders from thrown objects. Bystanders should be encouraged to wear eye protection. If you are approached, stop the motor and cutting attachment immediately.

Before each use, check for damage/worn parts

Check the bump head, guard and front-assist handle and replace the parts that are cracked, warped, bent, or damaged in any way.

The line-cutting blade on the edge of the guard can dull over time. It is recommended that you periodically sharpen it with a file or replace it with a new blade.

⚠ WARNING: Always wear gloves when mounting the guard or sharpen or replacing the blade. Take care of the blade on the guard and protect your hand from cutting.

After each use, clean the trimmer.

⚠ CAUTION: Obstructions in the vents will prevent the air from flowing into the motor housing and result in overheating or damaged of the motor.

- Use only mild soap and a damp cloth to clean the tool. Never let any liquid get inside the tool; never immerse any part of the tool into a liquid.
- Keep air vents in the motor housing from debris at all times.

⚠ WARNING: Never use water for cleaning your trimmer. Avoid using solvents when cleaning plastic parts. Most plastics are susceptible to damage from various types of commercial solvents. Use clean cloths to remove dirt, dust, oil, grease, etc.

ADJUSTING CUTTING LINE LENGTH

The bump head allows the operator to release more cutting line without stopping the motor. As line becomes frayed or worn, additional line can be released by lightly tapping the bump knob on the ground while operating the trimmer (Fig. N).

NOTICE: Line release will become more difficult as the cutting line becomes shorter.

⚠ WARNING: Do not remove or alter the line cutting blade assembly. Excessive line length will cause the motor to overheat and may result in serious personal injury.

LINE REPLACEMENT

NOTICE: Always use the recommended nylon cutting line with a diameter that does not exceed 2.0 mm. Using line other than that specified may cause the line trimmer to overheat or become damaged.

⚠ WARNING: Never use metal-reinforced line, wire, rope, etc. These can break off and become dangerous projectiles.

There are two methods to replace the cutting line:

1. Wind the spool with new line.
2. Install a pre-wound spool (AS1302, if necessary, available in dealer).

Wind the spool with new line

Press the two release tabs on the spool base and pull the spool retainer out (Fig. O). Take out approximately 5m of 2.0mm diameter cutting line. Fold and wind it onto the spool as Fig. P & Q shown. Then place the line ends through the two opposite notches in the spool (Fig. R) and place the spool into its retainer with notches aligned with

retainer eyelets (Fig. T). Lastly, align the retainer slots with the tabs on the spool base and press the retainer evenly down, ensuring that it snaps into place (Fig. S).

NOTICE: Always clean the spool retainer, spool and spool base before reassembling the trimmer head. Check the spool retainer, spool and spool base for wear. If necessary, replace the wear parts.

NOTICE: Failure to wind the line in the direction indicated will cause the trimmer head to operate incorrectly.

Install a pre-wound spool

Press the two release tabs on the spool base and pull the spool retainer out (Fig. O). Then place a pre-wound spool into the retainer with notches aligned with retainer eyelets (Fig. T). Lastly, align the retainer slots with the tabs on the spool base and press the retainer evenly down, ensuring that it snaps into place (Fig. S).

Fig. S & T parts description see below:

| | | | |
|-----|------|-----|--------|
| S-1 | Tab | T-1 | Notch |
| S-2 | Slot | T-2 | Eyelet |

NOTICE: Make sure that the tabs on the spool base snap into place or the spool will come out during operation.

MAINTENANCE

⚠ WARNING: When servicing, use only identical replacement parts. Inspect and maintain the machine regularly. To ensure safety and reliability, all repairs should be performed by a qualified service technician.

⚠ WARNING: Battery tools do not have to be plugged into an electrical outlet; therefore, they are always in operating condition. To prevent serious personal injury, take extra precautions and care when performing maintenance, service or for changing the cutting attachment or other attachments.

⚠ WARNING: To prevent serious personal injury, remove the battery pack from the tool before servicing, cleaning, changing add-on attachments or removing material from the unit.

CLEANING THE UNIT

- Clean the unit using a damp cloth with a mild detergent.
- Do not use any strong detergents on the plastic housing or the handle. They can be damaged by certain aromatic oils, such as pine and lemon, and by solvents such as kerosene. Moisture can also cause a shock hazard. Wipe off any moisture with a soft dry cloth.

EN

- Use a small brush or the air discharge of a small vacuum cleaner brush to clean the air vents on the rear housing.

STORING THE UNIT

- Remove the battery pack from the line trimmer when it is not in use.
- Clean the tool thoroughly before storing it.
- Store the unit in a dry, well-ventilated area, locked-up or up high, out of the reach of children. Do not store the unit on or adjacent to fertilizers, petrol, or other chemicals.

Protecting the environment



Do not dispose of electrical equipment, used battery and charger into household waste! Take this product to an authorized recycler and make it available for separate collection. Electric tools must be returned to an environmentally compatible recycling facility.

TROUBLESHOOTING

EN

| PROBLEM | CAUSE | SOLUTION |
|-------------------------------------|--|--|
| Line trimmer fails to start. | <ul style="list-style-type: none"> ■ The battery pack is not attached to the line trimmer. ■ No electrical contact between the trimmer and battery. ■ The battery pack is depleted. ■ The lock-off lever and trigger are not depressed simultaneously. | <ul style="list-style-type: none"> ■ Attach the battery pack to the line trimmer. ■ Remove battery, check contacts and reinstall the battery pack. ■ Charge the battery pack. ■ Press down the lock-off lever and hold it, then depress the trigger to turn on the line trimmer. |
| Line trimmer stops while cutting. | <ul style="list-style-type: none"> ■ The guard is not mounted on the trimmer, resulting in an overly long cutting line and motor overload. ■ Heavy cutting line is used. ■ The motor shaft or trimmer head is bound with grass. ■ The motor is overloaded. ■ The battery pack or line trimmer is too hot. ■ The battery pack is disconnected from the tool. ■ The battery pack is depleted. | <ul style="list-style-type: none"> ■ Remove the battery pack and mount the guard on the trimmer. ■ Use standard nylon cutting line with diameter no more than 2.0mm. ■ Stop the trimmer, remove the battery, and remove the grass from the motor shaft and trimmer head. ■ Remove the trimmer head from the grass. The motor will recover to work as soon as the load is removed. When cutting, move the trimmer head in and out of the grass to be cut and remove no more than 20cm of length in a single cut. ■ Allow the battery pack or trimmer to cool until the temperature drops below 67°C. ■ Re-install the battery pack. ■ Charge the battery pack. |
| Trimmer head will not advance line. | <ul style="list-style-type: none"> ■ The motor shaft or trimmer head is bound with grass. ■ There is not enough line on the spool. ■ The trimmer head is dirty. ■ Line is tangled on spool. ■ The line is too short. | <ul style="list-style-type: none"> ■ Stop the trimmer, remove the battery, and remove the grass from the motor shaft and trimmer head. ■ Remove the battery and replace the cutting line; follow the section "LINE REPLACEMENT" in this manual. ■ Remove the battery and clean the spool, spool retainer and spool base. ■ Remove the battery, remove the line from the spool and rewind; follow the section "LINE REPLACEMENT" in this manual. ■ Remove the battery and pull the lines while alternately pressing down on and releasing the bump knob. |

**EN**

| PROBLEM | CAUSE | SOLUTION |
|--|--|--|
| Grass wraps around trimmer head and motor housing. | <ul style="list-style-type: none">■ Cutting tall grass at ground level. | <ul style="list-style-type: none">■ Cut tall grass from the top down, removing no more than 20cm in each pass to prevent wrapping. |
| Line is not cutting well. | <ul style="list-style-type: none">■ The line-cutting blade on the edge of the guard has become dull. | <ul style="list-style-type: none">■ Sharpen the line-cutting blade with a file or replace it with a new blade. |

WARRANTY

EGO WARRANTY POLICY

Please visit the website egopowerplus.com for full terms and conditions of the EGO Warranty policy.

LESEN SIE ALLE ANWEISUNGEN!



LESEN SIE DIE BETRIEBSANLEITUNG

! WARNUNG: Restrisiko! Menschen mit elektronischen Geräten, wie z.B. Herzschrittmachern, sollten ihren Arzt konsultieren, bevor sie dieses Gerät verwenden. Die Bedienung von Elektrogeräten in unmittelbarer Nähe zu Herzschrittmachern kann zu Interferenzen und Störungen des Schrittmachers führen.



Sicherheitswarnung



Augenschutz tragen - Tragen Sie immer eine Schutzbrille, möglichst mit Seitenschutz, und einen Vollgesichtsschutz, wenn Sie mit diesem Gerät arbeiten.



Tragen Sie einen Gehörschutz - Tragen Sie beim Einsatz des Geräts immer einen Gehörschutz.



Kopfschutz tragen - Tragen Sie einen geprüften Helm, um Ihren Kopf zu schützen.



Keine runden Messer montieren.



Breite - Die max. Schnittbreite des Rasentrimmers



Bei Einsatz des Rasentrimmers müssen andere Personen und Haustiere einen Abstand von mindestens 15 m vom Rasentrimmer einhalten.



Dieses Produkt erfüllt die einschlägigen CE-Richtlinien.



Elektrische Altgeräte dürfen nicht im Hausmüll entsorgt werden. Geben Sie das Gerät bei einer zugelassenen Recycling-Annahmestelle ab.

V Spannung

.../min pro Minute

kg Kilogramm

WARNSYMBOLE

! WARNUNG: Beim Betrieb von Elektrowerkzeugen besteht die Gefahr, dass Fremdkörper in Ihre Augen geschleudert werden und Sie dadurch schwerwiegende Augenschäden davontragen. Tragen Sie immer eine Schutzbrille, wenn möglich mit Seitenschutz, oder, falls nötig, einen vollen Gesichtsschutz, bevor Sie Arbeiten mit dem Elektrowerkzeug verrichten. Wir empfehlen Ihnen, einen Gesichtsschutz über Ihrer eigenen Brille oder eine herkömmliche Schutzbrille mit Seitenschutz zu tragen.



Um das Verletzungsrisiko zu verringern, muss der Benutzer die Bedienungsanleitung lesen.



Schutzschuhe tragen - Tragen Sie beim Gebrauch dieses Gerätes rutschfeste Sicherheitsschuhe.



Schutzhandschuhe tragen - Schützen Sie Ihre Hände beim Umgang mit dem Messer oder dem Schneidschutz, indem Sie Handschuhe anziehen. Vorsicht Rückschlaggefahr - Warnen Sie den Benutzer vor den Gefahren eines Rückschlags durch das Messer.



Durchmesser - Der Durchmesser des Nylonfadens



Herumgeschleuderte Objekte können abprallen und Verletzungen oder Sachschäden verursachen. Stellen Sie bei Betrieb sicher, dass andere Personen und Haustiere sich von dem Gestrüppschneider fernhalten.



Nicht im Regen verwenden oder bei Regen im Freien liegen lassen.



Dieses Produkt entspricht den geltenden Vorschriften des Vereinigten Königreichs.



Garantierter Schalleistungspegel. Geräuschemission an die Umgebung gemäß Richtlinie der Europäischen Gemeinschaft.

n_0 Leerlaufdrehzahl-Drehzahl im Leerlauf



Gleichstrom

DE

TECHNISCHE DATEN

DE

| | | |
|---|---------------------------------------|------------------------------|
| Spannung | 56 V --- | |
| Leertlaufdrehzahl | Hoch: 6500 /min Niedrig: 5200 /min | |
| Schneidmechanismus | Fadenkopf | |
| Fadendurchmesser | 2,0mm Nylon-Torsion-Linie | |
| Schnittbreite | 33 cm | |
| Empfohlene Betriebstemperatur | 0°C - 40°C | |
| Empfohlene Lagertemperatur | -20°C-70°C | |
| Gewicht (ohne Akku) | 2,76 kg | |
| Gemessener Schallleistungspegel L_{wa} | 92,1 dB(A) K=1,6 dB(A) | |
| Maximale schalldruckpegel am Ohr des Bedieners L_{pa} | 72,6 dB(A) K=2,5 dB(A) | |
| Garantierter Schallleistungspegel L_{wa} (nach 2000/14/EG gemessen) | 94 dB(A) | |
| Vibration a_h | Vorderer Haltegriff | 3,3 m/s^2 K=0,9 m/s^2 |
| | Hinterer Griff | 1,9 m/s^2 K=1,5 m/s^2 |

- Der angegebene Schwingungs-Gesamtwert wurde in Übereinstimmung mit einer Standard-Testmethode gemessen und kann verwendet werden, um Werkzeuge miteinander zu vergleichen.
- Der angegebene Schwingungs-Gesamtwert kann auch als einleitende Feststellung der Belastung verwendet werden.

HINWEIS: Die beim Einsatz des Elektrowerkzeugs entstehenden Istvibrationen können von dem angegebenen Wert abweichen. Zum Schutz des Benutzers sollten Handschuhe und ein Gehörschutz während des Geräteinsatzes getragen werden.

PACKLISTE (Abb. A1)

BESCHREIBUNG

AUFBAU (Abb. A1)

- Auslöser
- Hinterer Griff
- Hebel zum Entriegeln
- Geschwindigkeitsregler
- Flexible Muffe

- Verstellbarer vorderer Haltegriff
- Fadenkopf (Schneidkopf)
- Klopfer
- Fadenmesser
- Fadenschutz
- Ausstoßmechanismus
- Elektrische Kontakte
- Verschluss
- Akku-Freigabeknopf

MONTAGE

AUFKLAPPEN DES SCHAFTS

⚠️ WARNUNG: Halten Sie den Schaft nicht an den Gelenken, um zu vermeiden, dass Sie Ihre Hände oder Finger klemmen.

⚠️ WARNUNG: Starten Sie den Trimmer erst, wenn der Schaft befestigt ist. Klappen Sie den Schaft vorsichtig auseinander und achten Sie dabei auf das Kabel im Schaft. Befestigen Sie ihn mit zwei Schrauben mithilfe des beiliegenden Schraubenschlüssels (Abb. B1 und B2).

MONTIEREN DES FADENSCHUTZES

Lassen Sie die Montagebohrungen am Fadenschutz mit den Haltelöchern fluchten. Schrauben Sie den Fadenschutz anschließend mit den beiden Schrauben am Schaftende an. Achten Sie darauf, dass der Fadenschutz wie in Abb. C montiert ist. Wird er falsch herum montiert, besteht große Gefahr!

MONTIEREN DES VORDEREN HALTEGRIFFS

Montieren Sie den vorderen Haltegriff am Schaft (Abb. E). Führen Sie die Klemmvorrichtung dann in die Griffmulde (Abb. F) ein, montieren Sie den Schnellverschluss und sichern Sie ihn mit der Flügelmutter (Abb. G). Die Reihenfolge wird in Abb. D gezeigt. Zum Schluss können Sie die Position des vorderen Haltegriffs so einstellen, dass Ihr Unterarm beim Einsatz des Trimmers gerade ausgestreckt ist (Abb. H). Legen Sie dann den Hebel des Schnellverschlusses um (Abb. I).

Teilebeschreibung zu Abb. D & H, siehe unten:

| | | | |
|-----|---------------------|-----|----------------|
| D-1 | Vorderer Haltegriff | D-4 | Flügelmutter |
| D-2 | Schnellverschluss | H-1 | Flexible Muffe |
| D-3 | Klemmvorrichtung | H-2 | Warnschild |

HINWEIS: Der vordere Haltegriff sollte nach oben zur Griffoberseite gedreht werden.

⚠️ WARNUNG: Befestigen Sie den vorderen Haltegriff nur vor der flexiblen Muffe am Schaft.

⚠️ WARNUNG: Ohne fest montierten vorderen Haltegriff darf das Werkzeug nicht verwendet werden.

BEDIENUNG

⚠️ WARNUNG: Vermeiden Sie es, dass die Vertrautheit mit dem Produkt zu Nachlässigkeit führt. Denken Sie daran, dass ein kurzer Moment der Unachtsamkeit zu ernsthaften Verletzungen führen kann.

⚠️ WARNUNG: Tragen Sie immer einen Augenschutz mit Seitenschutz sowie einen Hörschutz. Wenn Sie das unterlassen, kann es dazu kommen, dass Objekte in Ihre Augen geschleudert werden oder dass Ihnen andere mögliche ernsthafte Verletzungen zugefügt werden.

⚠️ WARNUNG: Verwenden Sie keine Aufsätze oder Zubehörteile, die nicht vom Hersteller dieses Produkts empfohlen worden sind. Die Verwendung von anderen und nicht empfohlenen Aufsätzen oder Zubehörteilen kann zu ernsthaften Verletzungen führen.

⚠️ WARNUNG: Verwenden Sie Ihren Fadenmäher mit dem passenden Mähfaden ausgestattet nur zum Schneiden von Gras und ähnlichem Material.

Sie können dieses Produkt für die unten aufgeführten Zwecke einsetzen:

Trimmen: Zum Kürzen von Gras und Gräsern, die an Wänden, Zäunen, Bäumen und Kanten wachsen.

Schneiden: Zum Abschneiden von Gras, das sich mit einem normalen Rasenmäher schlecht erreichen lässt.

HINWEIS: Das Werkzeug darf nur für den dafür vorgesehenen Zweck eingesetzt werden. Jeder andere Geräteinsatz wie z.B. das Schneiden von Hecken gilt als Zweckentfremdung.

ANBRINGEN/ABNEHMEN DES AKKUS

Laden Sie den Akku vor dem ersten Gebrauch voll auf.

Nur mit akkus und ladegeräten verwenden, die in abb. A2 aufgeführt sind.

Anbringen

Lassen Sie die Rippen am Akkugehäuse mit den Öffnungen am Gerät fluchten und schieben Sie den Akku bis zum hörbaren Einrasten in das Gerät. (Fig J).

Abnehmen

Drücken Sie die Batterieentriegelung und ziehen Sie den Akku heraus (siehe Abb. K).

FESTHALTEN DES RASENTRIMMERS

⚠️ WARNUNG: Tragen Sie geeignete Kleidung, um das Verletzungsrisiko bei der Benutzung des Werkzeugs zu reduzieren. Tragen Sie keine weite Kleidung oder Schmuck. Tragen Sie einen Augen- und Gehörschutz. Tragen Sie robuste lange Hosen, Stiefel und Handschuhe. Tragen Sie keine kurze Hose, Sandalen oder gehen Sie barfuß.

Halten Sie den Trimmer vor dem Einschalten fest in beiden Händen. Eine Hand hält den hinteren Griff und die andere den vorderen Haltegriff ganz fest (Ab. L). Sorgen Sie anschließend für einen festen Stand im Gleichgewicht und einen angemessenen Sicherheitsabstand beim Schneiden. Den Körper nicht in Vorhalte- oder Streckposition bringen.

EIN-/AUSSCHALTEN DES RASENTRIMMERS

Einschalten

Drücken Sie den Hebel zum Entriegeln und halten Sie ihn gedrückt. Drücken Sie den Auslöser nach unten, um den Rasentrimmer einzuschalten (siehe Abb. M).

Ausschalten

Lassen Sie den Entriegelungshebel und den Auslöser los.

HINWEIS: Der Motor kann auf zwei Trimmgeschwindigkeiten eingestellt werden: Position "1" mit niedriger und Position "2" mit hoher Geschwindigkeit (siehe Abb. M). Stellen Sie den Geschwindigkeitsregler beim Trimmen einfach auf die gewünschte Geschwindigkeit ein.

Beschreibung zu Abb. M, siehe unten:

| | |
|-----|------------|
| M-1 | Position 1 |
| M-2 | Position 2 |

⚠️ WARNUNG: Bei Arbeitspausen und nach Abschluss der Arbeit immer den Akku aus dem Rasentrimmer nehmen.

BENUTZUNG DES FADENMÄHERS

⚠️ WARNUNG: Um schwere persönliche Verletzungen zu vermeiden, tragen Sie eine Schutzbrille oder Sicherheitsbrille, während Sie das Gerät bedienen. Tragen Sie eine Gesichts- oder Staubmaske in staubigen Bereichen.

Räumen Sie den Arbeitsbereich vor jedem Einsatz auf. Entfernen Sie alle Objekte, wie z.B. Steine, zerbrochenes Glas, Nägel, Drähte oder Fäden, die aus dem Gerät herausgeschleudert werden oder sich in der Schneidvorrichtung verfangen könnten. Halten Sie den Bereich von Kindern, Passanten und Haustieren frei. Halten Sie einen Mindestabstand von 15m zu allen Kindern, Passanten und Haustieren ein; es besteht noch Gefahr durch umhergeschleuderte Gegenstände. Schaulustige sollten gebeten werden, Schutzbrillen aufzusetzen. Wenn jemand auf Sie zukommt, stellen Sie den Motor und das Schneidwerkzeug sofort ab.

Prüfen Sie vor jedem Gebrauch auf Schäden/ abgenutzte Teile

Prüfen Sie den Fadenkopf, die Schutzabdeckung und den vorderen Haltegriff und ersetzen Sie die Teile, die in irgendeiner Weise gesprungen, verzogen, verbogen oder beschädigt sind.

Die Messerklinge am Rand der Schutzabdeckung kann im Laufe der Zeit stumpf werden. Es wird empfohlen, dass Sie die Klinge regelmäßig mit einer Feile schärfen oder gegen eine neue austauschen.

⚠️ WARNUNG: Tragen Sie immer Handschuhe, wenn Sie den Fadenschutz montieren oder das Messer nachschleifen bzw. austauschen. Achten Sie auf das Messer am Fadenschutz und passen Sie auf, dass Sie sich nicht schneiden.

Reinigen Sie den Rasentrimmer nach jedem Gebrauch.

⚠️ VORSICHT: Verstopfte Lüftungsschlitze verhindern, dass die Luft in das Motorgehäuse strömen kann, was zum Überhitzen oder Beschädigungen am Motor führen kann.

- Verwenden Sie nur milde Seife und ein feuchtes Tuch zum Reinigen des Gerätes. Lassen Sie niemals Flüssigkeiten in das Werkzeug gelangen; tauchen Sie niemals einen Teil des Werkzeugs in Flüssigkeit.
- Halten Sie die Lüftungsschlitze im Motorgehäuse und Stiel immer frei von Ablagerungen

⚠️ WARNUNG: Verwenden Sie niemals Wasser, um Ihren Fadenmäher zu reinigen. Verwenden Sie keine Lösungsmittel zum Reinigen der Kunststoffteile. Die meisten Kunststoffe können durch verschiedene Arten von handelsüblichen Lösungsmitteln beschädigt werden. Nehmen Sie einen sauberen Lappen, um Schmutz, Staub, Öl, Fett usw. zu entfernen.

EINSTELLEN DER FADENLÄNGE

HINWEIS: Verwenden Sie immer den empfohlenen Nylon-Mahfaden mit höchstens 2,0 mm Durchmesser. Bei Verwendung eines anderen Fadens kann sich der Trimmer überhitzen oder beschädigt werden.

Der Fadenkopf ermöglicht dem Benutzer, den Mähfaden zu verlängern, ohne den Motor anzuhalten. Wenn der Faden ausgefranst oder abgenutzt ist, kann mehr Faden freigegeben werden, indem Sie den Auftippknopf auf den Boden klopfen, während Sie den Fadenmäher benutzen (siehe Abb. N).

HINWEIS: Das Nachführen des Fadens wird umso schwerer, je kürzer der Faden wird.

⚠️ WARNUNG: Entfernen oder ändern Sie die Mähfaden-Einheit nicht. Überschüssige Fadenlänge führt dazu, dass sich der Motor überhitzt, und kann zu schweren persönlichen Verletzungen führen.

AUSWECHSELN DES FADENS

⚠️ WARNUNG: Verwenden Sie niemals mit Metall verstärkten Faden, Draht, Seil usw. Diese können abbrechen und zu gefährlichen Geschossen werden.

Es gibt zwei Methoden zum Auswechseln des Trennfadens:

1. Neuen Faden auf die Spule aufwickeln
2. Eine fertig aufgewickelte Fadenspule montieren (AS1302, im Fachhandel ggf. erhältlich).

Neuen Faden auf die Spule aufwickeln

Drücken Sie die Freigabelaschen am Spulenboden und ziehen Sie die Spulenhalterung heraus (Abb. O). Ziehen Sie ca. 5m die Linie 2mm neuen Faden heraus. Knicken Sie ihn und wickeln Sie ihn um die Spule, wie in Abb. P & Q dargestellt. Führen Sie die Fadenenden danach durch die beiden gegenüber liegenden Kerben in der Spule hindurch (Abb. R). Setzen Sie die Spule in die Halterung ein und achten Sie darauf, dass die Kerben mit den Ösen in der Halterung fluchten (Abb. T). Lassen Sie schließlich die Aussparungen an der Halterung mit den Rastnasen am Spulenboden fluchten und schieben Sie die Halterung geradlinig nach unten, bis sie hörbar einrastet (Abb. S).

HINWEIS: Reinigen Sie die Spulenhalterung, die Spule und die Spulenbasis immer, bevor Sie den Mähkopf wieder zusammensetzen. Prüfen Sie die Spulenhalterung, die Spule und die Spulenbasis auf Abnutzung. Wechseln Sie abgenutzte Teile notfalls aus.

HINWEIS: Wenn der Faden falsch herum aufgewickelt wird, wird der Mähkopf nicht korrekt funktionieren.

Einsetzen einer bereits aufgewickelten Spule

Drücken Sie die Freigabelaschen am Spulenboden und ziehen Sie die Spulenhalterung heraus (Abb. O). Setzen Sie anschließend die fertig aufgewickelte Spule in die Halterung ein. Die Kerben müssen dabei mit den Ösen in der Halterung fluchten (Abb. T). Lassen Sie schließlich die Aussparungen an der Halterung mit den Rastnasen am Spulenboden fluchten und schieben Sie die Halterung geradlinig nach unten, bis sie hörbar einrastet (Abb. S). Beschreibung zu Abb. S & T, siehe unten:

| | | | |
|-----|------------|-----|-------|
| S-1 | Rastnase | T-1 | Kerbe |
| S-2 | Aussparung | T-2 | Öse |

HINWEIS: Achten Sie darauf, dass die Laschen an der Spulenbasis einschnappen, sonst wird die Spule während des Betriebs herauspringen.

WARTUNG

⚠️ WARNUNG: Verwenden Sie für die Wartung nur identische Ersatzteile. Prüfen und warten Sie das Gerät regelmäßig. Um die Sicherheit und Zuverlässigkeit zu gewährleisten, sollten alle Reparaturen nur von qualifizierten Servicetechnikern durchgeführt werden.

⚠️ WARNUNG: Akkubetriebene Werkzeuge müssen nicht an eine Steckdose angeschlossen werden; sie sind daher immer einsatzbereit. Um schwere Verletzungen zu vermeiden, seien Sie beim Warten, Reparieren oder Auswechseln des Schneidaufsatzes oder anderer Aufsätze besonders vorsichtig und treffen Sie besondere Sicherheitsvorkehrungen.

⚠️ WARNUNG: Um schwere Verletzungen zu verhindern, entfernen Sie den Akku aus dem Werkzeug, bevor Sie das Gerät warten, reinigen, Aufsätze auswechseln oder Schnittgut aus dem Gerät entfernen.

REINIGEN DES GERÄTES

- Reinigen Sie das Gerät mithilfe eines feuchten Tuchs mit einem milden Reinigungsmittel.
- Verwenden Sie keine starken Reiniger auf dem Kunststoffgehäuse oder dem Griff. Sie können durch gewisse aromatische Öle, wie Pinie und Zitrone, sowie Lösungsmittel, wie z. B. Petroleum, beschädigt werden. Feuchtigkeit stellt zudem eine Stromschlaggefahr dar. Wischen Sie Feuchtigkeit mit einem weichen, trockenen Tuch ab.
- Reinigen Sie die Lüftungsschlitze am Motorgehäuse mit einer kleinen Bürste oder dem Luftstrom eines kleinen Staubsaugers.

AUFBEWAHREN DES GERÄTES

- Entfernen Sie den Akkusatz aus dem Fadenmäher, wenn er nicht benutzt wird.
- Reinigen Sie das Werkzeug gründlich, bevor Sie es verstauen.
- Lagern Sie das Gerät an einem trockenen, gut belüfteten Bereich, der sich abschließen lässt oder hoch gelegen ist, wo es außer Reichweite von Kindern ist. Lagern Sie das Gerät nicht auf oder neben Düngemitteln, Benzin oder Chemikalien.

Schützen Sie die Umwelt



Elektrogeräte, alte Akkus und Ladegeräte dürfen nicht im Hausmüll entsorgt werden! Das Gerät muss einer offiziellen Recycling-Sammelstelle zur getrennten Entsorgung zugeführt werden. Elektrowerkzeuge müssen bei einer umweltfreundlichen Recycling-Einrichtung abgegeben werden. *entally compatible recycling facility.*

FEHLERBEHEBUNG

DE

| PROBLEM | URSACHE | LÖSUNG |
|--|--|--|
| Rasentrimmer lässt sich nicht starten. | <ul style="list-style-type: none"> ■ Der Akkusatz ist nicht in den Fadenmäher eingesetzt. ■ Kein elektrischer Kontakt zwischen Fadenmäher und Akku. ■ Der Akku ist leer. ■ Der Hebel zum Entriegeln und der Auslöser werden nicht gleichzeitig gedrückt. | <ul style="list-style-type: none"> ■ Befestigen Sie den Akkusatz am Fadenmäher. ■ Entnehmen Sie den Akku, überprüfen Sie die Kontakte und setzen Sie ihn wieder ein. ■ Laden Sie den Akkusatz auf. ■ Halten Sie den Hebel zum Entriegeln gedrückt und drücken Sie dann den Auslöser, um den Fadenmäher einzuschalten. |
| Fadenmäher stoppt während des Mähens. | <ul style="list-style-type: none"> ■ Die Schutzabdeckung ist nicht am Fadenmäher montiert, was einen zu langen Faden und Motorüberlastung zu Folge hat. ■ Es wird ein schwerer Mähfaden verwendet. ■ Die Motorwelle oder der Mähkopf wird durch Gras blockiert. ■ Der Motor ist überlastet. ■ Der Akkusatz oder der Fadenmäher ist zu heiß. ■ Der Akkusatz ist nicht mit dem Werkzeug verbunden. ■ Der Akkusatz ist leer. | <ul style="list-style-type: none"> ■ Entfernen Sie die Akkusatz und ■ befestigen Sie die Schutzabdeckung am Fadenmäher. ■ Verwenden Sie nur Mähfaden aus Nylon mit einem Durchmesser von 2,0mm oder kleiner. ■ Halten Sie den Fadenmäher an, ■ entfernen Sie den Akku und entfernen Sie das Gras von der Motorwelle und Mähkopf. ■ Nehmen Sie den Mähkopf vom Rasen. Der Motor ist wieder einsatzbereit, sobald die Last entfernt wurde. Bewegen Sie beim Schneiden den Mähkopf in und aus dem Gras heraus und entfernen Sie nicht mehr als 20cm Länge mit einem einzelnen Schnitt. ■ Lassen Sie den Akkusatz abkühlen, bis die Temperatur unter 67° C fällt. |

| PROBLEM | URSACHE | LÖSUNG |
|--|---|--|
| Mähkopf verlängert den Faden nicht. | <ul style="list-style-type: none"> ■ Die Motorwelle oder der Mähkopf wird durch Gras blockiert. ■ Es ist nicht mehr ausreichend Faden in der Spule vorhanden. ■ Der Mähkopf ist verschmutzt. ■ Der Faden hat sich auf der Spule verheddert. ■ Der Faden ist zu kurz. | <ul style="list-style-type: none"> ■ Halten Sie den Fadenmäher an, entfernen Sie den Akku und entfernen Sie das Gras von der Motorwelle und Mähkopf. ■ Entfernen Sie den Akku und ■ wechseln Sie den Mähfaden aus; folgen Sie hierzu dem Abschnitt „AUSWECHSELN DES FADENS“ in dieser Bedienungsanleitung. ■ Entfernen Sie den Akku und reinigen Sie die Spule, die Spulhalterung und die Spulenbasis. ■ Entfernen Sie den Akku, nehmen Sie den Faden aus der Spule und wickeln Sie ihn wieder auf; folgen Sie hierzu dem Abschnitt „AUSWECHSELN DES FADENS“ in dieser Bedienungsanleitung. |
| Gras wickelt sich um den Mähkopf und das Motorgehäuse. | <ul style="list-style-type: none"> ■ Hohes Gras wird auf Bodenebene geschnitten. | <ul style="list-style-type: none"> ■ Mähen Sie hohes Gras, indem Sie von oben nach unten mähen. Schneiden Sie dabei nicht mehr als 20cm bei jedem Durchgang, um zu vermeiden, dass sich das Gras um das Gerät wickeln kann. |
| Faden schneidet nicht gut. | <ul style="list-style-type: none"> ■ Das Messer zum Abschneiden des Fadens am Rand der Schutzabdeckung ist stumpf geworden. | <ul style="list-style-type: none"> ■ Schärfen Sie das Messer mit einer Feile oder wechseln Sie es durch eine neue Klinge aus. |

GARANTIE

EGO GEWÄHRLEISTUNGSRICHTLINIE

Bitte besuchen Sie unsere website egopowerplus.com mit den kompletten EGO Garantiebedingungen.

LISEZ TOUTES LES INSTRUCTIONS!

FR



LISEZ LE MANUEL D'UTILISATION

⚠ AVERTISSEMENT: Risques résiduels ! Les personnes portant des appareils électroniques, par exemple des stimulateurs cardiaques, doivent consulter leur(s) médecin(s) avant d'utiliser ce produit. L'utilisation d'un équipement électrique près d'un stimulateur cardiaque peut provoquer des interférences ou la panne du stimulateur cardiaque.



Alerte de sécurité



Porter une protection oculaire toujours porter un masque de sécurité ou des lunettes de sécurité avec boucliers latéraux et un masque facial intégral lors de l'utilisation de ce produit.



Porter une protection auditive toujours porter une protection auditive pendant l'utilisation de ce produit.



Porter une Protection de la Tête porter un casque de sécurité homologué pour protéger votre tête.



Ne pas installer de lame de coupe ronde.



Largeur : largeur de coupe maximale du taille-bordure



Veiller à ce que les autres personnes et les animaux restent éloignés d'au moins 15 m du taille-bordure pendant son utilisation.



Dieses Produkt erfüllt die einschlägigen CE-Richtlinien.



Elektrische Altgeräte dürfen nicht im Hausmüll entsorgt werden. Geben Sie das Gerät bei einer zugelassenen Recycling-Annahmestelle ab.

V Tension

.../min Par minute

kg Kilogramme

SYMBOLES DE SÉCURITÉ

⚠ AVERTISSEMENT: L'utilisation d'un outil électrique peut provoquer la projection d'objets étrangers dans vos yeux, ce qui peut provoquer des lésions oculaires graves. Avant de commencer à utiliser l'outil électrique, portez toujours un masque de sécurité ou des lunettes de sécurité avec des protections latérales et une visière complète si nécessaire. Nous vous recommandons de porter un Masque de Sécurité à Vision Panoramique par-dessus des lunettes de vue ou des lunettes de sécurité standards avec des protections latérales.



Pour réduire le risque de blessures, l'utilisateur doit lire la notice d'utilisation.



Porter des Chaussures de Sécurité porter des chaussures de sécurité antidérapantes pendant l'utilisation de cet équipement.



Porter des Gants Protecteurs protéger vos mains avec des gants pendant la manipulation des lames.



Prendre garde au rebond de lame. mettre en garde l'opérateur contre le danger de rebond de lame.



Diamètre : le diamètre du fil de coupe en nylon.



Des objets projetés peuvent ricocher et provoquer des blessures corporelles ou des dommages matériels. Toujours veiller à ce que les autres personnes et les animaux restent éloignés de la débroussailleuse pendant son utilisation.



Ne pas utiliser sous la pluie et ne pas laisser dehors quand il pleut.



Dieses Produkt entspricht den geltenden Vorschriften des Vereinigten Königreichs.



Niveau de puissance acoustique garanti. Émission de bruit dans l'environnement conformément à la directive CE.

n_0 Régime à vide-Vitesse de rotation sans charge

⚡ Courant continu

SPÉCIFICATIONS

| | | |
|---|-----------------------------------|--|
| Tension | 56 V $\overline{\text{---}}$ | |
| Régime à vide | Haut: 6500 /min Bas: 5200 /min | |
| Mécanisme de coupe | Tête de frappe | |
| Type de fil de coupe | 2,0mm Fil de nylon twist | |
| Largeur de coupe | 33 cm | |
| Température d'utilisation recommandée | 0°C-40°C | |
| Température de stockage recommandée | -20°C-70°C | |
| Poids (sans la batterie) | 2,76 kg | |
| Niveau de puissance acoustique mesuré L_{WA} | 92,1 dB(A) K=1,6 dB(A) | |
| Maximale niveau de pression acoustique au niveau des oreilles de l'opérateur L_{PA} | 72,6 dB(A) K=2,5 dB(A) | |
| Niveau de puissance acoustique garanti L_{WA} (conformément à la norme 2000/14/CE) | 94 dB(A) | |
| Vibration a_h | Poignée auxiliaire avant | 3,3 m/s ² K=0,9 m/s ² |
| | Poignée arrière | 1,9 m/s ² K=1,5 m/s ² |

- La valeur totale des vibrations indiquée a été mesurée selon une procédure conforme à une méthode de test standardisée et peut servir pour comparer différents outils.
- La valeur totale des vibrations indiquée peut également servir pour effectuer une première évaluation de l'exposition.

REMARQUE : L'émission de vibrations pendant l'utilisation réelle de l'outil électrique est fonction de la manière dont il est utilisé et peut différer de la valeur indiquée. Pour se protéger, l'opérateur doit porter des gants et un casque antibruit dans les conditions actuelles d'utilisation.

CONTENU DE L'EMBALLAGE (Image A1)

DESCRIPTION

DESCRIPTION DE VOTRE TAILLE-BORDURE (Image A1)

1. Interrupteur-gâchette

2. Poignée arrière
3. Levier de déverrouillage
4. Bouton de réglage de la vitesse
5. Manchon souple
6. Poignée auxiliaire avant réglable
7. Tête de frappe (Tête de coupe)
8. Bouton de frappe
9. Lame de coupe du fil
10. Capot de protection
11. Mécanisme d'éjection
12. Contacts électriques
13. Loquet
14. Bouton de déblocage de la batterie

ASSEMBLAGE

DEPLIER LE MANCHE

AVERTISSEMENT: Ne maintenez pas le manche au niveau des articulations afin d'éviter de vous y coincer les mains ou les doigts.

AVERTISSEMENT: Ne démarrez pas le taille-bordures avant que le manche ne soit verrouillé. Dépliez le manche avec précaution, en veillant à ce que le câble soit à l'intérieur du manche et verrouillez-le avec deux vis à l'aide de la clé fournie (Fig.B1&B2).

ASSEMBLER LE CAPOT DE PROTECTION

Alignez les trous du capot de protection avec les trous d'assemblage, puis fixez-le sur la base du manche avec les deux vis. Vérifiez que le capot de protection est fixé comme montré sur les images C, un montage inversé est très dangereux !

ASSEMBLER ET RÉGLER LA POIGNÉE AUXILIAIRE AVANT

Enfoncez la poignée auxiliaire avant dans le manche (Image E), puis insérez le bloc de fixation dans la rainure de la poignée (Image F), assemblez le levier de verrouillage et bloquez-les avec l'écrou papillon (Image G). La séquence est montrée sur l'image D. Pour terminer, réglez la position de la poignée auxiliaire avant en sorte que votre bras avant soit tendu pendant l'utilisation du taille-bordure (Image H), puis verrouillez le levier de verrouillage (Image I).

Images D et H Description des pièces, voir ci-dessous :

| | | | |
|-----|--------------------------|-----|---------------------------|
| D-1 | Poignée auxiliaire avant | D-4 | Écrou papillon |
| D-2 | Levier de verrouillage | H-1 | Manchon souple |
| D-3 | Bloc de fixation | H-2 | Marquage de mise en garde |

REMARQUE: La poignée auxiliaire avant doit être tournée vers le haut et dirigée vers le haut de la poignée.

⚠ AVERTISSEMENT: Fixez la poignée auxiliaire avant exclusivement devant le manchon souple du manche.

⚠ AVERTISSEMENT: L'outil ne peut pas être utilisé sans la poignée auxiliaire avant solidement fixée.

UTILISATION

⚠ AVERTISSEMENT : Veillez à ne pas devenir moins prudent au fur et à mesure que vous vous familiarisez avec cet outil. Gardez à l'esprit qu'une seconde d'inattention peut suffire pour provoquer des blessures graves.

⚠ AVERTISSEMENT : Portez toujours une protection oculaire avec boucliers latéraux. Et portez toujours une protection auditive. Sans ce type de protection, des objets peuvent être projetés dans vos yeux et d'autres blessures graves peuvent se produire.

⚠ AVERTISSEMENT : N'utilisez aucun accessoire ou pièce non recommandé par le fabricant de ce produit. L'utilisation d'accessoires ou de pièces non recommandés peut provoquer de graves blessures corporelles.

⚠ AVERTISSEMENT : Utilisez votre taille-bordure équipé d'un fil de coupe approprié exclusivement pour couper de l'herbe et des matières similaires.

Vous pouvez utiliser ce produit pour les usages listés ci-dessous :

Tailler : Pour couper le gazon et les mauvaises herbes près des murs, des barrières, des arbres et des bordures.

Couper : Pour couper le gazon difficile à atteindre avec une tondeuse classique.

REMARQUE : L'outil ne doit être utilisé qu'à la finalité spécifiée pour lui. Tout autre usage, par exemple tailler des haies, est considéré impropre.

INSÉRER/RETIRER LA BATTERIE

Rechargez complètement la batterie avant la première utilisation.

Utilisez exclusivement les batteries et les

chargeurs listes a la fig. A2.

Insérer la batterie

Alignez les arêtes de la batterie avec les rainures d'assemblage et appuyez la batterie vers le bas jusqu'à entendre un déclic (Image J).

Retrait

Appuyez sur le bouton de déblocage de la batterie et tirez la batterie hors de l'outil (Image K).

TENIR LE TAILLE-BORDURE

⚠ AVERTISSEMENT: Soyez correctement vêtu pour réduire le risque de blessures pendant l'utilisation de cet outil. Ne portez pas de vêtement ample ni de bijou. Portez des protections oculaires et auditives. Portez des gants, des bottes et des pantalons longs et résistants. Ne portez pas de shorts ni de sandales et ne soyez pas pieds nus.

Avant utilisation, saisissez le taille-bordure à deux mains, avec une main sur la poignée arrière et l'autre main sur la poignée auxiliaire avant dont le bras doit être tendu (Image L). Puis vérifiez que vous avez des appuis des pieds équilibrés et que vous êtes à une distance de coupe appropriée sans vous pencher.

DÉMARRER ET ÉTEINDRE LE TAILLE-BORDURE

Allumer l'outil

Appuyez sur le levier de déverrouillage et maintenez-le dans cette position. Appuyez sur l'interrupteur-gâchette pour allumer le taille-bordure (Image M).

Arrêter l'outil

Relâchez le levier de déverrouillage et l'interrupteur-gâchette.

REMARQUE: Le moteur a deux vitesses de coupe, position 1 pour la vitesse lente et la position 2 pour la vitesse rapide, comme montré sur l'image M. Poussez simplement le bouton de réglage de la vitesse dans la position appropriée pendant la coupe.

Image M Description des pièces, voir ci-dessous :

| | |
|-----|------------|
| M-1 | Position 1 |
| M-2 | Position 2 |

⚠ AVERTISSEMENT : Retirez toujours la batterie du taille-bordure pendant les pauses durant le travail et après avoir terminé le travail.

UTILISER LE TAILLE-BORDURE

⚠ AVERTISSEMENT: Pour éviter des blessures corporelles graves, portez en permanence des lunettes de sécurité ou un masque pendant l'utilisation de cet outil. Portez un masque facial ou un masque à poussière dans les endroits poussiéreux.

Nettoyez la zone à couper avant chaque utilisation. Retirez tous les objets pouvant s'emmêler dans les accessoires de coupe ou être projetés, par exemple les pierres, les morceaux de verre, les clous, les fils métalliques, les ficelles. Veillez à ce qu'il n'y ait aucune autre personne, aucun enfant, ni aucun animal dans l'aire de travail. Veillez à ce que tous les enfants, toutes les autres personnes et tous les animaux soient toujours à plus de 15 mètres de l'outil en fonctionnement, car il y a un risque de projection d'objets. Il faut insister pour que les autres personnes présentes portent une protection oculaire. Si une personne s'approche de vous, éteignez immédiatement le moteur et l'accessoire de coupe.

Avant chaque utilisation, inspectez l'outil pour détecter des pièces usées ou endommagées

Inspectez la tête de frappe, le capot de protection, la poignée auxiliaire avant, et remplacez les pièces fissurées, voilées, tordues ou présentant une autre détérioration.

La lame de coupe du fil présente sur le bord du capot de protection s'use avec le temps. Il est recommandé de l'affûter régulièrement avec une lime ou de la remplacer par une lame neuve.

⚠ AVERTISSEMENT: Portez toujours des gants pour assembler le capot de protection ou affûter ou remplacer la lame. Prenez garde à la lame du capot de protection et protégez votre main pour éviter de vous couper.

Après chaque utilisation, nettoyez l'outil.

⚠ ATTENTION: Si les ouïes de ventilation sont bouchées, cela empêchera l'air de circuler dans le boîtier du moteur, ce qui peut provoquer la surchauffe et la détérioration du moteur.

- Nettoyez l'outil exclusivement avec un chiffon humide et du savon doux. Veillez à ce qu'aucun liquide ne pénètre jamais dans l'outil. N'immergez jamais aucune partie de l'outil dans un liquide.
- Veillez à ce que les ouïes de ventilation du boîtier du moteur et du manche restent en permanence exempts de débris

⚠ AVERTISSEMENT: N'utilisez jamais d'eau pour nettoyer votre outil. N'utilisez pas de solvant pour nettoyer les pièces en plastique. La plupart des plastiques peuvent être détériorés par de nombreux types de solvants vendus dans le commerce. Utilisez des chiffons propres pour enlever les saletés, les poussières, l'huile, la graisse, etc.

RÉGLER LA LONGUEUR DU FIL DE COUPE

La tête de frappe permet à l'opérateur d'allonger le fil de coupe sans avoir à éteindre le moteur. Quand le fil de coupe devient usé ou effiloché, vous pouvez l'allonger en frappant légèrement le bouton de frappe sur le sol pendant que l'outil est en marche (Image N).

REMARQUE: Plus le fil de coupe devient court, plus il est difficile de l'allonger.

⚠ AVERTISSEMENT: Ne retirez pas et ne modifiez pas l'assemblage de la lame de coupe du fil. Si la longueur du fil de coupe est excessive, cela peut provoquer la surchauffe du moteur et des blessures corporelles graves.

CHANGER LE FIL DE COUPE

REMARQUE: Utilisez toujours le fil de coupe ennylon recommandé ayant un diamètre de dépassant pas 2,0 mm. Utiliser un autre fil que celui spécifié peut provoquer la surchauffe et la détérioration du taille-bordures.

⚠ AVERTISSEMENT: N'utilisez jamais de corde, de fil métallique, de fil à renfort métallique, etc., car ils peuvent se casser et devenir des projectiles dangereux.

Il y a deux méthodes pour changer le fil de coupe :

1. Enrouler du fil de coupe neuf sur la bobine.
2. Installer une bobine pré-enroulée (AS1302, si nécessaire, disponible auprès du distributeur).

Enrouler du fil de coupe neuf sur la bobine

Appuyez sur les deux languettes de déblocage de la base de la bobine et tirez le boîtier de bobine vers l'extérieur (Image O). Préparez 5m environ de fil de coupe neuf. Pliez-le et enroulez-le sur la bobine comme montré sur les images P et Q. Puis insérez ses deux extrémités dans les deux encoches opposées de la bobine (Image R) et placez la bobine dans son boîtier en alignant les encoches avec les ceilllets du boîtier (Image T). Pour terminer, alignez les encoches du boîtier de bobine avec les languettes de la base de la bobine et appuyez uniformément le boîtier vers le bas en veillant à ce qu'il s'encastre bien (Image S).

REMARQUE: Nettoyez toujours le boîtier de bobine, la bobine et la base de la bobine avant de réassembler la tête de coupe. Inspectez le boîtier de bobine, la bobine et la base de la bobine pour vérifier qu'ils ne sont pas usés. Si nécessaire, remplacez les pièces usées.

REMARQUE: Ne pas enrouler le fil de coupe dans le sens indiqué provoquera le dysfonctionnement de la tête de coupe.

Assembler une bobine pré-enroulée

Appuyez sur les deux languettes de déblocage de la base de la bobine et tirez le boîtier de bobine vers l'extérieur (Image O). Puis insérez une bobine pré-enroulée dans le boîtier en alignant les encoches avec les œillets du boîtier (Image T). Pour terminer, alignez les encoches du boîtier de bobine avec les languettes de la base de la bobine et appuyez uniformément le boîtier vers le bas en veillant à ce qu'il s'encastre bien (Image S).

Images S et T Description des pièces, voir ci-dessous :

| | | | |
|-----|-----------|-----|---------|
| S-1 | Languette | T-1 | Encoche |
| S-2 | Encoche | T-2 | Œillet |

REMARQUE : Veillez à ce que les languettes de la base de la bobine s'encastrent, sinon la bobine se détachera pendant l'utilisation.

ENTRETIEN

⚠ AVERTISSEMENT: L'outil ne doit être réparé qu'avec des pièces de rechange identique. Inspectez et entretenez l'outil régulièrement. Pour garantir la sécurité et la fiabilité, toutes les réparations doivent être effectuées par un réparateur qualifié.

⚠ AVERTISSEMENT: Les outils alimentés par batterie n'ont pas à être branchés dans une prise électrique, ils sont donc toujours prêts à fonctionner. Pour éviter des blessures corporelles graves, faites extrêmement attention lors de l'entretien et de la réparation de l'outil et lors du changement de l'accessoire de coupe ou d'autres accessoires.

⚠ AVERTISSEMENT: Pour éviter les blessures corporelles graves, retirez la batterie de l'outil avant de le réparer, de le nettoyer, de changer un accessoire ou d'enlever des matières de l'outil.

NETTOYER L'OUTIL

- Nettoyez l'outil avec un chiffon humide et un détergent doux.
- N'utilisez pas de détergent puissant sur le boîtier en plastique ou sur la poignée, car ils peuvent être endommagés par certaines huiles aromatiques, par exemple de pin et de citron, et par les solvants, par exemple l'essence. L'humidité peut également générer un risque de choc électrique. Essuyez les traces d'humidité avec un chiffon doux et sec.
- Avec une petite brosse ou l'air sortant de la brosse de nettoyage d'un petit aspirateur, nettoyez les ouïes de ventilation du boîtier arrière pour enlever tous les débris.

RANGER L'OUTIL

- Retirez la batterie du taille-bordure quand vous ne l'utilisez pas.
- Nettoyez soigneusement et intégralement l'outil avant de le ranger.
- Rangez l'outil dans un endroit sec et bien aéré, fermé à clé ou en hauteur, hors de portée des enfants. Ne rangez pas l'outil sur ou à côté d'engrais, d'essence ou d'autres substances chimiques.

Protection de l'environnement



Ne jetez pas les équipements électriques, les batteries usées et les chargeurs avec les ordures ménagères ! Apportez ce produit chez un recycleur agréé et rendez-le disponible pour une collecte séparée. Les outils électriques doivent être amenés dans un centre de recyclage pour assurer un respect de l'environnement.

DÉPANNAGE

FR

| PROBLÈME | CAUSE | SOLUTION |
|--|---|---|
| Le taille-bordure ne s'allume pas. | <ul style="list-style-type: none"> ■ La batterie n'est pas insérée dans le taille-bordure. ■ Il n'y a pas de contact électrique entre l'outil et la batterie. ■ La batterie est déchargée. ■ Le levier de déverrouillage et l'interrupteur-gâchette ne sont pas tous les deux appuyés. | <ul style="list-style-type: none"> ■ Insérez la batterie dans le taille-bordure. ■ Retirez la batterie, inspectez les contacts, puis réinsérez la batterie. ■ Rechargez la batterie. ■ Appuyez sur le levier de déverrouillage et maintenez-le appuyé, puis appuyez sur l'interrupteur-gâchette pour allumer le taille-bordure. |
| Le taille-bordure s'arrête pendant la coupe. | <ul style="list-style-type: none"> ■ Le capot de protection n'est pas assemblé sur l'outil, ce qui provoque une longueur excessive du fil de coupe et la surcharge du moteur. ■ Un fil de coupe trop épais est utilisé. ■ L'arbre du moteur ou la tête de coupe est bloqué par de l'herbe. ■ Le moteur est en surcharge. ■ La batterie ou le taille-bordure est trop chaud. ■ La batterie est déconnectée de l'outil. ■ La batterie est déchargée. | <ul style="list-style-type: none"> ■ Retirez la batterie, puis assemblez le capot de protection sur l'outil. ■ Utilisez exclusivement un fil de coupe en nylon de 2,0mm de diamètre ou d'un diamètre inférieur. ■ Éteignez l'outil, retirez la batterie, puis retirez l'herbe de l'arbre du moteur et de la tête de coupe. ■ Retirez la tête de coupe de l'herbe. Le moteur retrouve un fonctionnement normal dès que la charge est retirée. Pendant la coupe, déplacez la tête de coupe dans et hors de l'herbe à couper, et ne coupez pas une longueur supérieure à 20cm en un seul passage. ■ Laissez la batterie et l'outil refroidir jusqu'à ce que sa température devienne inférieure à 67 °C. ■ Réinstallez la batterie. ■ Rechargez la batterie. |

| PROBLÈME | CAUSE | SOLUTION |
|--|---|--|
| La tête de coupe ne fait pas avancer le fil de coupe. | <ul style="list-style-type: none"> ■ L'arbre du moteur ou la tête de coupe est bloqué par de l'herbe. ■ Il n'y a pas assez de fil de coupe sur la bobine. ■ La tête de coupe est sale. ■ Le fil de coupe est emmêlé sur la bobine. ■ Le fil de coupe est trop court. | <ul style="list-style-type: none"> ■ Éteignez l'outil, retirez la batterie, puis retirez l'herbe de l'arbre du moteur et de la tête de coupe. ■ Retirez la batterie et changez le fil de coupe. Pour cela, consultez le chapitre « CHANGER LE FIL DE COUPE » de ce manuel d'utilisation. ■ Retirez la batterie et nettoyez la bobine, le boîtier de bobine et la base de la bobine. ■ Retirez la batterie, enlevez le fil de coupe de la bobine, puis rebobinez-le. Pour cela, consultez le chapitre « CHANGER LE FIL DE COUPE » de ce manuel d'utilisation. ■ Retirez la batterie, puis tirez les extrémités du fil de coupe en appuyant et en actionnant le bouton de frappe alternativement. |
| De l'herbe s'enroule autour de la tête de coupe et du boîtier du moteur. | <ul style="list-style-type: none"> ■ Vous coupez de l'herbe haute au ras du sol. | <ul style="list-style-type: none"> ■ Coupez l'herbe haute progressivement du haut vers le bas en coupant 20cm au maximum à chaque passage pour éviter que l'herbe ne s'enroule. |
| Le fil de coupe ne coupe pas bien. | <ul style="list-style-type: none"> ■ La lame de coupe du fil sur le bord du capot de protection est usée. | <ul style="list-style-type: none"> ■ Affûtez la lame de coupe du fil avec une lime ou remplacez-la par une lame neuve. |

GARANTIE

POLITIQUE DE GARANTIE EGO

Veillez consulter le site egopowerplus.com pour trouver l'ensemble des modalités et conditions de la politique de garantie EGO

¡LEA TODAS LAS INSTRUCCIONES!



LEA EL MANUAL DEL USUARIO

⚠ ADVERTENCIA: ¡Riesgo residual! Las personas con implantes electrónicos, como marcapasos, deberán consultar a su médico antes de utilizar este producto. La utilización de equipos eléctricos en las proximidades inmediatas de un marcapasos podría causar en este interferencias o averías.



Aviso de seguridad



Utilizar protección ocular utilice siempre utilice gafas de seguridad, gafas con cristales anti-impacto que cuenten con pantallas de protección lateral, o bien una máscara facial que proteja completamente la cara.



Utilizar protección auditiva lleve siempre protección auditiva cuando utilice este producto.



Utilizar protección para la cabeza lleve puesto casco de seguridad para protegerse la cabeza.



No instale cuchillas redondas.



Anchura: la anchura de corte máxima del cortabordes con cabezal de hilo



Asegúrese de que las personas y los animales domésticos se mantengan a una distancia mínima de 15 m cuando se esté usando el cortabordes con cabezal de hilo.



Este producto está en conformidad con las directivas de la CE aplicables.



Los productos eléctricos no deben eliminarse con la basura doméstica. Lívelos a un centro de reciclaje autorizado.

V Tensión

.../min Por minuto

kg Kilogramo

SÍMBOLOS DE SEGURIDAD

⚠ ADVERTENCIA: Cuando se utilizan herramientas eléctricas, es posible que salgan despedidos objetos que podrían causar lesiones oculares graves. Antes de empezar a usar herramientas eléctricas, póngase siempre gafas de seguridad, gafas con cristales anti-impacto que cuenten con pantallas de protección lateral, o bien una máscara facial que proteja completamente la cara. Recomendamos usar una máscara de seguridad de amplia visión que pueda utilizarse encima de gafas graduadas, o bien gafas normales de seguridad equipadas con pantallas laterales.



Para reducir el riesgo de lesiones, el usuario debe leer el manual de instrucciones.



Utilizar calzado de seguridad lleve calzado de seguridad antideslizante siempre que utilice este equipo.



Utilizar guantes de protección utilice guantes para protegerse las manos cuando manipule cuchillas o el protector de las cuchillas.



Tener cuidado con el contragolpe de las cuchillas advierta al usuario del peligro de contragolpe de las cuchillas.



Diámetro: tenga en cuenta el diámetro del hilo de corte indicado.



Los objetos lanzados pueden rebotar y provocar lesiones personales o daños materiales. Asegúrese de que las personas y los animales domésticos se mantengan alejados cuando se esté usando la desbrozadora.



No utilice la herramienta bajo la lluvia ni la deje a la intemperie cuando esté lloviendo.



Este producto cumple la legislación aplicable del Reino Unido.



Nivel de potencia acústica garantizado. La emisión de ruido al medio ambiente cumple la directiva de la Comunidad Europea.

n_0 Velocidad sin carga-Velocidad de giro, sin carga

≡ Corriente continua

ES

ESPECIFICACIONES

| | | |
|---|------------------------------------|--|
| Tensión | 56 V --- | |
| Velocidad en vacío | Alta: 6500 /min Baja: 5200 /min | |
| Sistema de corte | Cabezal de impacto | |
| Tipo de hilo de corte | 2,0mm Línea de nylon del giro | |
| Anchura de corte | 33 cm | |
| Temperatura de funcionamiento recomendada | 0°C-40°C | |
| Temperatura de almacenamiento recomendada | -20°C-70°C | |
| Peso (sin acumulador) | 2,76 kg | |
| Nivel de potencia acústica ponderado L_{WA} | 92,1 dB(A) K=1,6 dB(A) | |
| Máximo nivel de presión acústica medido a la altura del oído del usuario L_{PA} | 72,6 dB(A) K=2,5 dB(A) | |
| Nivel de potencia acústica garantizado L_{WA} (medido según 2000/14/CE) | 94 dB(A) | |
| Valuation of vibration a_h | Front-assist Handle | 3,3 m/s ² K=0,9 m/s ² |
| | Rear Handle | 1,9 m/s ² K=1,5 m/s ² |
| | | |

- El nivel total de vibraciones especificado ha sido medido conforme al método de prueba estándar empleado en la industria y puede utilizarse para efectuar comparaciones entre herramientas.
- Asimismo, el nivel total de vibraciones declarado podrá utilizarse para efectuar una evaluación preliminar de la exposición del usuario a los niveles de vibración generados por la herramienta.

AVISO: Las vibraciones generadas durante el uso real de la herramienta eléctrica podrán diferir del valor declarado en función de la manera en que se utilice. A modo de protección, el usuario deberá utilizar guantes y protectores auditivos en condiciones reales de uso.

LISTA DE EMBALAJE (Fig. A1)

DESCRIPCIÓN

FAMILIARÍCESE CON SU CORTABORDES CON CABEZAL DE HILO (Fig. A1)

28

RECORDADORA DE HILO INALÁMBRICA DE 56 VOLTIOS — ST1300E-S

1. Gatillo interruptor
2. Empuñadura trasera
3. Palanca de desbloqueo
4. Conmutador de ajuste de la velocidad
5. Funda blanda
6. Empuñadura auxiliar delantera ajustable
7. Cabezal de impacto (cabezal de corte)
8. Botón de extracción del hilo de corte
9. Cuchilla de recorte del hilo
10. Guarda de protección
11. Mecanismo de expulsión
12. Contactos eléctricos
13. Seguro
14. Botón de liberación del acumulador

CONJUNTO

DESPLIEGAR EL TUBO

⚠ ADVERTENCIA: No sujete el tubo por las uniones, para evitar pellizcarse las manos o los dedos.

⚠ ADVERTENCIA: No intente poner en marcha el cortabordes antes de bloquear el tubo. Despliegue el tubo con cuidado, asegurándose de que el cable esté dentro del tubo, y bloquéelo con dos tornillos utilizando la llave incluida (fig. B1 y B2).

MONTAJE DE LA GUARDA DE PROTECCIÓN

Alinee los orificios de montaje de la guarda de protección con los orificios de montaje, y a continuación bloquee la guarda de protección sobre el tubo con los dos tornillos. Asegúrese de que la guarda esté fijada tal como se muestra en las fig. C. ¡Si se fija de forma inversa provocará una situación de peligro grave!

MONTAJE Y AJUSTE DE LA EMPUÑADURA AUXILIAR DELANTERA

Empuje la empuñadura auxiliar delantera para introducirla sobre el tubo (fig. E); a continuación, inserte el bloque de fijación en la ranura de la empuñadura (fig. F), monte el tornillo de palanca y bloquéelos con la palometa (fig. G). El orden se muestra en la fig. D. Por último, ajuste la posición de la empuñadura auxiliar delantera de modo que su brazo delantero esté estirado cuando use el cortabordes (fig. H) y, a continuación, bloquee la palanca del tornillo de palanca (fig. I).

Fig. D e H, ver abajo la descripción de las piezas:

| | | | |
|-----|-------------------------------|-----|-----------------------|
| D-1 | Empuñadura auxiliar delantera | D-4 | Palometa |
| D-2 | Tornillo de palanca | H-1 | Funda blanda |
| D-3 | Bloque de fijación | H-2 | Rótulo de advertencia |

AVISO: La empuñadura auxiliar delantera debe girarse hacia arriba para que indique hacia la parte superior de la empuñadura.

⚠ ADVERTENCIA: Fije únicamente la empuñadura auxiliar por delante de la zona del tubo que incorpora una funda blanda.

⚠ ADVERTENCIA: a herramienta no se puede usar si la empuñadura auxiliar delantera no está sujeta de forma fiable.

UTILIZACIÓN

⚠ ADVERTENCIA: No permita que la confianza que supone el hecho de estar familiarizado con el producto dé lugar a descuidos. Recuerde que cualquier distracción de una fracción de segundos es suficiente para sufrir o provocar lesiones graves.

⚠ ADVERTENCIA: Utilice siempre gafas de seguridad con pantallas de protección lateral, así como protección auditiva. De lo contrario, los objetos despedidos por la acción de la herramienta podrían alcanzar sus ojos y provocar lesiones graves oculares o de otro tipo.

⚠ ADVERTENCIA: No utilice piezas o accesorios que no hayan sido recomendados por el fabricante de este producto. La utilización de piezas o accesorios no recomendados por el fabricante podría resultar en lesiones físicas graves.

⚠ ADVERTENCIA: Utilice su cortabordes con su cabezal equipado con un carrete cuyo hilo sea del tipo adecuado y únicamente para cortar hierba y material similar.

Este producto podrá utilizarse para los propósitos indicados a continuación:

Recorte: se usa para quitar hierba y malas hierbas junto a paredes, vallas, árboles y bordes.

Corte: se usa para cortar la hierba difícil de alcanzar con un cortacésped normal.

AVISO: La herramienta debe utilizarse únicamente para el fin previsto. Cualquier otro uso, por ejemplo el corte de setos, se considerará uso indebido.

CONEXIÓN/DESCONEXIÓN DEL ACUMULADOR

Recargue totalmente el acumulador antes de usarlo.

Utilizar solo con los acumuladores y cargadores enumerados en la fig. A2.

Conexión

Alinee las nervaduras del acumulador con las ranuras de montaje, e introduzca el acumulador presionándolo hacia abajo hasta oír un “clic”.(fig J)

Desconexión

Pulse el botón de liberación del acumulador y saque el acumulador como se muestra en la fig. K.

CÓMO SOSTENER EL CORTABORDES CON CABEZAL DE HILO AL CORTAR LA HIERBA

⚠ ADVERTENCIA: Utilice ropa adecuada cuando trabaje con esta herramienta para reducir el riesgo de lesiones. No lleve puesta ropa holgada ni joyas. Utilice protección ocular y auditiva. Utilice pantalones largos, botas y guantes resistentes. No utilice pantalones cortos, sandalias, ni vaya descalzo.

Antes de ponerlo en marcha, sujete el cortabordes con las dos manos, una en la empuñadura trasera y la otra en la empuñadura auxiliar delantera, que deberá estar extendida (fig. L). A continuación, compruebe que tiene los pies en equilibrio y mantenga una distancia de corte adecuada, sin tener que inclinarse.

PUESTA EN MARCHA/PARADA DEL CORTABORDES CON CABEZAL DE HILO

Puesta en marcha

Empuje hacia abajo la palanca de desbloqueo y manténgala en dicha posición. Apriete el gatillo interruptor para poner en marcha el cortabordes con cabezal de hilo como se muestra en la fig. M.

Parada

Suelte la palanca de desbloqueo y el gatillo.

AVISO: El motor tiene dos velocidades de corte, la posición “1” para la velocidad baja y la posición “2” para la velocidad alta, como se muestra en la fig. M. Apriete el conmutador de ajuste de la velocidad a la posición adecuada durante el corte.

Fig. M, ver abajo la descripción de las piezas:

| | |
|-----|------------|
| M-1 | Posición 1 |
| M-2 | Posición 2 |

⚠ ADVERTENCIA: Asegúrese siempre de retirar el acumulador del cortabordes con cabezal de hilo durante cualquier pausa que haga durante el trabajo, así como una vez finalizada la tarea.

UTILIZACIÓN DEL CORTABORDES CON CABEZAL DE HILO

ES

⚠ ADVERTENCIA: Para evitar sufrir lesiones físicas graves, asegúrese de utilizar gafas de seguridad o con cristales anti-impacto siempre que se sirva de esta herramienta. Asimismo, utilice mascarilla antipolvo o protección respiratoria si se sirve de la herramienta en entornos polvorientos.

Antes de cada uso, despeje la zona de trabajo. Quite todos los objetos como piedras, vidrios rotos, clavos, alambres, cables o cuerdas, ya que podrían salir despedidos por la acción de la herramienta o enredarse en el elemento de corte. Mantenga a los niños, las mascotas y otras personas fuera de la zona de trabajo. Mantenga a los niños y otras personas, así como a las mascotas, a una distancia mínima de 15m de la zona donde se esté utilizando la herramienta, ya que existe riesgo de que salgan objetos despedidos. Se recomienda que cualquier persona presente en la zona de trabajo utilice protección ocular. Apague inmediatamente el motor o desactive el dispositivo de corte si cualquiera se le acerca.

Antes de cada utilización, examine la herramienta para determinar la posible existencia de piezas dañadas o desgastadas.

Examine el cabezal de impacto, la guarda de protección y empuñadura auxiliar delantera. Sustituya cualquier pieza que esté agrietada, deformada, doblada o presente cualquier tipo de daño.

Con el tiempo, el filo de la cuchilla de recorte de hilo situada en el borde de la guarda de protección puede llegar a embotarse. Se recomienda afilarla con una lima a intervalos periódicos o sustituirla por otra nueva.

⚠ ADVERTENCIA: Utilice siempre guantes al instalar la guarda de protección, así como al afilar o sustituir la cuchilla. Tenga cuidado con la cuchilla instalada en la guarda y proteja adecuadamente sus manos para evitar cortarse.

Asegúrese de limpiar el cortabordes después de cada utilización.

⚠ PRECAUCIÓN: Cualquier obstrucción de los orificios de ventilación impedirá la correcta circulación de aire por el interior de la carcasa del motor, pudiendo hacer que este se sobrecaliente o sufra daños.

- Use solo jabón suave y un paño húmedo para limpiar la herramienta. No deje nunca que entre líquido en la herramienta ni sumerja ninguna parte de la herramienta en ningún líquido.

- Mantenga en todo momento los orificios de ventilación de la carcasa del motor y el tubo libres de residuos

⚠ ADVERTENCIA: Nunca utilice agua para limpiar su herramienta. Evite utilizar disolventes para limpiar los elementos plásticos del producto. La mayoría de las piezas de plástico utilizadas son susceptibles de sufrir daños si se limpian con algunos de los tipos de disolventes de uso industrial disponibles en el mercado. Utilice paños limpios para eliminar la suciedad y los residuos de polvo, aceite, grasa, etc.

CÓMO AJUSTAR LA LONGITUD DEL HILO DE CORTE

El cabezal de impacto permite al usuario ir extrayendo más hilo de corte del carrete sin tener que detener el motor de la herramienta. Debido a que el hilo termina deshilachándose o desgastándose, podrá ir extrayéndose la longitud necesaria golpeando levemente el botón de extracción del hilo de corte sobre el suelo mientras se utiliza el cortabordes (fig. N).

AVISO: La extracción del hilo de corte se hará más difícil a medida que se hace más corto o va quedando menos cantidad en el carrete.

⚠ ADVERTENCIA: No retire ni modifique en modo alguno la cuchilla de recorte del hilo presente en la guarda de protección. Una longitud excesiva de hilo de corte hará que el motor se sobrecaliente y podría dar lugar a lesiones físicas graves.

SUSTITUCIÓN DEL HILO DE CORTE

AVISO: Utilice siempre el hilo de corte de nailon recomendado, cuyo diámetro no sea mayor que 2,0 mm. Si se utiliza otro hilo de corte distinto al especificado, la desbrozadora podría calentarse excesivamente y sufrir daños.

⚠ ADVERTENCIA: Nunca utilice carretes de alambre, hilo metálico reforzado, cuerda, etc., ya que estos podrían romperse y sus trozos convertirse en proyectiles peligrosos.

Existen dos métodos posibles para sustituir el hilo de corte:

1. Rebobinando el carrete original con nuevo hilo de corte.
2. Instalando un nuevo carrete ya rebobinado (AS1302, en caso necesario, disponible en el comercio).

Cómo rebobinar el carrete original con nuevo hilo de corte.

Presione las dos lengüetas de liberación situadas en la base del carrete y tire del cartucho del carrete (fig. O). Saque aproximadamente 5m de hilo de corte nuevo. Dóblelo y enróllelo en el carrete como se muestra en las fig. P y Q. A continuación, coloque los extremos del hilo a través de las dos hendiduras opuestas del carrete (fig. R) y ponga el carrete en su cartucho con las hendiduras alineadas con los ojales del cartucho (fig. T). Por último, alinee las ranuras del cartucho con las lengüetas de la base del carrete y presione el cartucho hacia abajo uniformemente, asegurándose de que engancha en su lugar (fig. S).

AVISO: Limpie siempre el cartucho del carrete, así como el propio carrete y su base antes de volver a ensamblar el cabezal del cortabordes. Examine el carrete, su cartucho y la base por si presentaran desgaste. De ser necesario, sustituya los elementos desgastados.

AVISO: Si no enrolla el hilo de corte en la dirección indicada, el cabezal del cortabordes no funcionará de la manera adecuada.

Instalación de un nuevo carrete ya rebobinado

Presione las dos lengüetas de liberación situadas en la base del carrete y tire del cartucho del carrete (fig. O). A continuación, coloque en el cartucho un carrete ya rebobinado, con las hendiduras alineadas con los ojales del cartucho (fig. T). Por último, alinee las ranuras del cartucho con las lengüetas de la base del carrete y presione el cartucho hacia abajo uniformemente, asegurándose de que engancha en su lugar (fig. S).

Fig. S y T, ver abajo la descripción de las piezas:

| | | | |
|-----|----------|-----|-----------|
| S-1 | Lengüeta | T-1 | Hendidura |
| S-2 | Ranura | T-2 | Ojal |

AVISO: Asegúrese de que las lengüetas de la base del carrete han encajado correctamente en su sitio, ya que, de lo contrario, el carrete se soltará del cabezal durante la utilización del cortabordes.

MANTENIMIENTO

ADVERTENCIA: Cuando efectúe reparaciones en la herramienta, utilice únicamente piezas idénticas a las originales. Examine la herramienta a intervalos periódicos y lleve a cabo las operaciones de mantenimiento que sean necesarias. Para garantizar la seguridad y fiabilidad del producto, confíe cualquier reparación que sea necesaria a personal técnico cualificado.

ADVERTENCIA: Las herramientas que funcionan a batería no requieren enchufarse en una toma de corriente. Por lo tanto, siempre están listas para funcionar. A fin de evitar sufrir posibles lesiones físicas graves, extreme las precauciones y proceda con cuidado al efectuar cualquier operación de mantenimiento, reparación o sustitución del elemento de corte o de otros accesorios de la herramienta.

ADVERTENCIA: A fin de evitar en lo posible sufrir lesiones físicas graves, asegúrese siempre de retirar el acumulador de la herramienta antes de proceder a efectuar cualquier reparación, limpieza, sustitución de accesorios y elementos de corte, así como de retirar acumulaciones de material cortado.

LIMPIEZA DE LA HERRAMIENTA

- Limpie la herramienta utilizando un paño húmedo y una pequeña cantidad de detergente suave.
- No utilice detergentes fuertes en la carcasa de plástico o en la empuñadura. Ciertos aceites aromáticos, como aquellos a base de limón o resina de pino y disolventes como queroseno, podrían dañar estas piezas. La humedad puede también contribuir al riesgo de sufrir descargas eléctricas. Utilice un paño suave y seco para eliminar cualquier resto de humedad.
- Utilice un cepillo pequeño o el accesorio tipo cepillo de una aspiradora para limpiar las obstrucciones de los orificios de ventilación de la carcasa trasera.

ALMACENAMIENTO DE LA HERRAMIENTA

- Retire el acumulador de su cortabordes con cabezal de hilo cuando no lo esté utilizando.
- Limpie minuciosamente la herramienta antes de proceder a su almacenamiento.
- Almacene la herramienta en un lugar seco y bien ventilado, ya sea cerrado o a una altura suficiente que impida que los niños puedan alcanzarla. No la guarde encima ni cerca de fertilizantes, gasolina u otros productos químicos.



Protección del medio ambiente



ES

¡No elimine aparatos eléctricos, baterías usadas ni cargadores de baterías junto con los desperdicios domésticos! Lleve este producto a un punto de reciclaje autorizado y deposítelo por separado según corresponda. Las herramientas eléctricas se deben llevar a un punto de reciclaje con fin de proteger el medio ambiente.

RESOLUCIÓN DE PROBLEMAS

| ANOMALÍA | CAUSA | SOLUCIÓN |
|--|--|---|
| El cortabordes con cabezal de hilo no se pone en marcha | <ul style="list-style-type: none"> ■ El acumulador no está correctamente insertado en el cortabordes. ■ No hay contacto eléctrico entre el acumulador y el cortabordes. ■ El acumulador está agotado. ■ No ha presionado simultáneamente la palanca de desbloqueo y el gatillo interruptor. | <ul style="list-style-type: none"> ■ Inserte correctamente el acumulador en el cortabordes. ■ Retire el acumulador, compruebe los contactos eléctricos y vuelva a instalar el acumulador en su sitio. ■ Recargue el acumulador. ■ Mantenga presionada hacia abajo la palanca de desbloqueo y apriete el gatillo interruptor para poner en marcha su cortabordes. |
| El cortabordes con cabezal de hilo deja de funcionar durante su uso. | <ul style="list-style-type: none"> ■ La guarda de protección no está instalada en el cortabordes, haciendo que el hilo de corte quede extraído a una longitud excesiva y el motor se sobrecargue. ■ Se está utilizando un hilo de corte demasiado grueso. ■ Hay una acumulación excesiva de hierba en el eje del motor o cabezal del cortabordes. ■ El motor se ha sobrecargado. ■ El acumulador o el circuito del cortabordes se han sobrecalentado. ■ El acumulador se ha desconectado de la herramienta. ■ El acumulador está agotado. | <ul style="list-style-type: none"> ■ Retire el acumulador e instale la guarda de protección en el cortabordes. ■ Utilice únicamente hilo de corte de nailon con un diámetro máximo de 2,0mm. ■ Apague el cortabordes, retire el acumulador y, a continuación, elimine cualquier acumulación de hierba presente en el eje del motor o cabezal del cortabordes. ■ Aparte el cabezal del cortabordes de la hierba. El motor se recuperará y volverá a funcionar normalmente tan pronto como se haya aliviado la carga. Al cortar la hierba, desplace el cabezal del cortabordes por esta siguiendo un movimiento de vaivén y procurando cortar una longitud máxima de 20cm en cada pasada. ■ Espere a que el acumulador o el cortabordes se hayan enfriado lo suficiente hasta que su temperatura sea inferior a 67°C. ■ Vuelva a instalar en su sitio el acumulador. ■ Recargue el acumulador. |

ES

| ANOMALÍA | CAUSA | SOLUCIÓN |
|--|--|---|
| El hilo de corte no se extrae automáticamente del cabezal del cortabordes. | <ul style="list-style-type: none"> ■ Hay una acumulación excesiva de hierba en el eje del motor o cabezal del cortabordes. ■ No queda suficiente longitud del hilo de corte en el carrete. ■ El cabezal del cortabordes está sucio. ■ El hilo de corte está enredado en el interior del carrete. ■ El hilo de corte es demasiado corto. | <ul style="list-style-type: none"> ■ Apague el cortabordes, retire el acumulador y, a continuación, elimine cualquier acumulación de hierba presente en el eje del motor o cabezal del cortabordes. ■ Retire el acumulador y sustituya el hilo de corte. Consulte el apartado titulado "SUSTITUCIÓN DEL HILO DE CORTE" que se incluye en este manual. ■ Retire el acumulador y limpie el carrete, su cartucho y la base. ■ Retire el acumulador, retire el hilo de corte del carrete y vuelva a enrollarlo correctamente. Consulte el apartado titulado "SUSTITUCIÓN DEL HILO DE CORTE" que se incluye en este manual. ■ Retire el acumulador y tire de los extremos del hilo de corte mientras presiona y suelta reiteradamente el botón de extracción del hilo de corte. |
| La hierba se enreda alrededor del cabezal y de la carcasa del motor. | <ul style="list-style-type: none"> ■ Está cortando a nivel del suelo hierba que está demasiado alta. | <ul style="list-style-type: none"> ■ Corte la hierba alta de arriba hacia abajo, cortando un máximo de 20cm en cada pasada para así evitar que se enrede en la herramienta. |
| El hilo de corte no corta como es debido. | <ul style="list-style-type: none"> ■ El filo de la cuchilla de recorte de hilo situada en la guarda de protección está embotado. | <ul style="list-style-type: none"> ■ Afíle la cuchilla de recorte del hilo utilizando una lima, o bien sustitúyala por una cuchilla nueva. |

GARANTÍA

POLÍTICA DE GARANTÍA EGO

Por favor visite nuestra página web egopowerplus.com para los términos y las condiciones completas de la política de garantía EGO.

LEIA TODAS AS INSTRUÇÕES!



LEIA O MANUAL DE INSTRUÇÕES

AVISO: Risco residual! As pessoas com dispositivos eletrônicos, como pacemakers, deverão consultar o seu médico antes de utilizarem este produto. A utilização de equipamento elétrico perto de um pacemaker pode causar interferências ou falhas no pacemaker.



Alerta de segurança



Utilize proteção ocular Utilize sempre óculos de segurança com proteção lateral e, se necessário, uma proteção completa do rosto, quando utilizar este produto.



Utilize proteção auditiva Utilize sempre proteção auditiva ao utilizar este produto.



Use proteção para a cabeça Use um chapéu de proteção aprovado para proteger a cabeça.



Não instale lâminas de corte redondas.



Largura: A largura máx. de corte da roçadora



Certifique-se de que outras pessoas e animais permanecem a, pelo menos, 15 metros da roçadora durante a utilização.



Este produto encontra-se em conformidade com as diretivas CE aplicáveis.



Os resíduos elétricos não deverão ser eliminados juntamente com o lixo doméstico comum. Entregue-os num centro de reciclagem autorizado.

V Voltagem

.../min Por minuto

kg Quilograma

SÍMBOLOS DE SEGURANÇA

AVISO: O funcionamento de qualquer ferramenta elétrica pode dar origem ao ressalto de quaisquer objetos estranhos que podem atingir os olhos, podendo dar origem a sérias lesões oculares. Antes de começar a utilizar a ferramenta elétrica, utilize sempre óculos de segurança com proteções laterais e uma proteção completa para o rosto, quando necessário. Recomendamos a utilização de máscaras de segurança com visão panorâmica por cima dos óculos ou óculos de segurança padrão com proteção lateral.



De modo a reduzir os riscos de lesões, o utilizador tem de ler o manual de utilização.



Use calçado de segurança Use calçado de segurança antiderrapante quando usar este equipamento.



Use luvas de proteção Proteja as suas mãos com luvas quando manusear a lâmina ou a proteção da lâmina.



Cuidado com o impulso da lâmina Avise o operador do perigo de impulso da lâmina.



Diâmetro: O diâmetro do fio de corte de nylon



Objetos podem ressaltar e causar lesões pessoais ou danos materiais. Certifique-se de que outras pessoas e animais permanecem afastados da roçadeira durante a utilização.



Não use este produto à chuva nem o deixe no exterior quando chover.



Este produto está em conformidade com a legislação aplicável do Reino Unido.



Nível de potência do som garantido. Emissão de ruído para o ambiente de acordo com a diretiva da Comunidade Europeia.

n_0 Velocidade sem carga-Velocidade de rotação, sem carga

☰ Corrente direta

ESPECIFICAÇÕES

PT

| | |
|---|--|
| Voltagem | 56 V --- |
| Velocidade sem carga | Elevado: 6500 /min Baixo: 5200 /min |
| Mecanismo de corte | Cabeça de choque |
| Diâmetro da linha | 2,0mm Torção de linha de nylon |
| Largura de corte | 33 cm |
| Temperatura de funcionamento recomendada | 0°C-40°C |
| Temperatura de armazenamento recomendada | -20°C-70°C |
| Peso (sem a bateria) | 2,76 kg |
| Nível de potência do som medido L_{WA} | 92,1 dB(A) K=1,6 dB(A) |
| Máxima nível da pressão do som no ouvido do operador L_{PA} | 72,6 dB(A) K=2,5 dB(A) |
| Nível de potência acústica garantido L_{WA} (medido de acordo com 2000/14/CE) | 94 dB(A) |
| Vibração a_n | Pega dianteira 3,3 m/s ² K=0,9 m/s ² |
| | Pega traseira 1,9 m/s ² K=1,5 m/s ² |

- O valor total declarado da vibração foi medido de acordo com um método de teste padrão e pode ser usado para comparar duas ferramentas;
- O valor total declarado da vibração também pode ser usado numa avaliação preliminar da exposição.

AVISO: A emissão de vibrações durante a utilização da ferramenta elétrica pode diferir do valor declarado em que a ferramenta é usada. De modo a proteger o utilizador, este deverá utilizar luvas e proteção auditiva nas condições atuais de utilização.

LISTA DE PEÇAS (Fig. A1)

DESCRIÇÃO

CONHEÇA O SEU APARADOR DE FIO (Fig. A1)

1. Gatilho
2. Pega traseira
3. Alavanca de desbloqueio
4. Interruptor de ajuste de velocidade

5. Manga suave
6. Pega dianteira ajustável
7. Cabeça de choque (cabeça de corte)
8. Manípulo de choque
9. Lâmina de corte do fio
10. Proteção
11. Mecanismo de ejeção
12. Contactos elétricos
13. Aba
14. Botão de libertação de bateria

MONTAR

DESDOBRAR O EIXO

AVISO: Não segure o eixo nas juntas, para evitar prender as mãos ou dedo

AVISO: Não tente ligar a roçadora até que o eixo esteja fixado. Desdobre o eixo gentilmente, tendo cuidado com o cabo dentro do eixo, e fixe com dois parafusos usando a chave fornecida (Imagem B1 e B2).

MONTAGEM DA PROTEÇÃO

Alinhe os orifícios de montagem da proteção com os orifícios de montagem e, depois, bloqueie a proteção na base do eixo com dois parafusos. Certifique-se de que a proteção está fixada de acordo com a Fig. C, qualquer fixação inversa irá provocar um grande perigo!

MONTAR E AJUSTAR A PEGA DIANTEIRA

Empurre a pega dianteira na direção do eixo (Fig. E) e, depois, insira o bloco de fixação na ranhura da pega (Fig. F), monte a haste de fixação e bloqueie com a porca de asas (Fig. G). A sequência é apresentada na Fig. D. Por último, ajuste a posição da pega dianteira para que o seu braço dianteiro fique esticado, usando o aparador (Fig. H) e, depois, bloqueie a alavanca da haste de fixação (Fig. I).

Fig. D e H descrição das peças apresentada abaixo:

| | | | |
|-----|------------------|-----|----------------|
| D-1 | Pega dianteira | D-4 | Porca de asas |
| D-2 | Haste de fixação | H-1 | Manga suave |
| D-3 | Bloco de fixação | H-2 | Etiqueta aviso |

AVISO: A pega dianteira deve ser voltada para cima apontando para a parte superior da pega.

AVISO: Fixe apenas a pega dianteira à frente da manga suave no eixo.

AVISO: A ferramenta pode ser utilizada sem a pega dianteira fixada de forma fiável.

FUNCIONAMENTO

AVISO: Não deixe que a sua familiaridade com o produto o torne descuidado. Lembre-se, uma fração de segundo de desatenção é suficiente para infligir ferimentos graves.

AVISO: Utilize sempre proteções oculares com escudos laterais. Juntamente com proteção auditiva. O não cumprimento pode resultar na projeção de objetos para os olhos e outros possíveis ferimentos graves.

AVISO: Não utilize quaisquer ligações ou acessórios não recomendados pelo fabricante deste produto. O uso de ligações ou acessórios não recomendados pode resultar em ferimentos pessoais graves.

AVISO: Utilize o seu aparador de fio com a respetivo fio de corte para cortar relva e material semelhante.

Pode utilizar este produto para os objetivos abaixo listados:

Aparar: usado para retirar relva e ervas daninhas encostadas a paredes, vedações, árvores e orlas.

Cortar: usado para cortar relva difícil de alcançar usando uma máquina de cortar relva normal.

AVISO: A ferramenta só deve ser utilizada para o seu propósito destinado. Qualquer outra utilização, por exemplo desbaste de sebes, será considerada má utilização.

FIXAR/RETIRAR A BATERIA

Carregue por completo antes da primeira utilização.

Utilize apenas com as baterias e carregadores listados na imagem A2.

Para fixar

Alinhe as abas da bateria com as ranhuras de fixação e empurre a bateria para baixo até ouvir um “clique”. (Fig J)

Para retirar

Prima o botão para soltar a bateria e puxe a bateria para fora, como apresentado na Fig. K.

SEGURAR O APARADOR DE FIO

AVISO: Vista-se adequadamente para reduzir o risco de lesões quando utilizar este aparelho. Não utilize roupa larga ou joias. Utilize proteções oculares e auditivas. Utilize calças compridas e resistentes, botas e luvas. Não utilize roupa curta, sandálias nem ande descalço.

Antes de colocar em funcionamento, segure o aparador com ambas as mãos, com uma mão na pega traseira e a outra na pega dianteira esticadas (Fig. L). Depois verifique se existe equilíbrio e uma distância de corte apropriada sem que o operador se curve.

LIGAR/PARAR O APARADOR DE FIO

Para ligar

Prima a alavanca de bloqueio para baixo e mantenha-a nessa posição. Prima o gatilho para acionar o aparador de fio como apresentado na Fig. M.

Para parar

Solte a alavanca de bloqueio e o gatilho.

AVISO: O motor tem duas velocidades de corte, Posição “1” para baixa velocidade e Posição “2” para velocidade mais alta, como apresentado na Fig. M. Basta premir o interruptor de ajuste de velocidade para a posição adequada durante o corte.

Fig. M descrição das peças apresentada abaixo:

| | |
|-----|-----------|
| M-1 | Posição 1 |
| M-2 | Posição 2 |

AVISO: Retire sempre a bateria do aparador de fio nas pausas de trabalho e após conclusão de um trabalho.

UTILIZAR O APARADOR DE FIO

AVISO: Para evitar lesões pessoais sérias, utilize sempre óculos de segurança quando utilizar este aparelho. Utilize uma máscara para o rosto ou máscara do pó em locais poeirentos.

Limpe a área a cortar antes de cada utilização. Retire todos os objetos, como pedras, vidro partido, pregos, arames ou fios que possam ser atirados ou ficar presos no acessório de corte. Afaste as crianças, terceiros e animais. No mínimo, mantenha as crianças, terceiros e animais a um raio de 15 metros. Poderá continuar a haver um risco para as pessoas devido aos objetos que possam ser atirados. Quaisquer terceiros deverão ser encorajados a utilizar proteção ocular. Se alguém se aproximar, desligue imediatamente o motor e o acessório de corte.

Antes de cada utilização, verifique se existem peças gastas/danificadas.

Verifique a cabeça de choque, proteção, pega dianteira e substitua as peças rachadas, torcidas, dobradas ou danificadas de algum modo.

Esta lâmina para cortar o fio na extremidade da proteção pode deixar de ficar afiada com o passar do tempo. Recomendamos que afie periodicamente com uma lima ou que a substitua por uma lâmina nova.

PT

⚠ AVISO: Utilize sempre luvas quando montar a proteção ou afiar ou substituir a lâmina. Tenha cuidado com a lâmina na proteção e proteja a sua mão contra cortes.

Após cada utilização, limpe o aparador.

⚠ CUIDADO: As obstruções nas aberturas de ventilação impedem que o ar flua para a estrutura do motor, dando origem a um sobreaquecimento ou danos no motor.

- Utilize apenas detergente neutro e um pano humedecido para limpar o aparelho. Nunca permita que entrem líquidos no aparelho e nunca coloque qualquer parte do aparelho dentro de qualquer líquido.
- Mantenha sempre as entradas de ar da estrutura do motor e eixo sem resíduos

⚠ AVISO: Nunca utilize água para limpar o seu equipamento. Evite utilizar solventes quando limpa peças plásticas. Os plásticos são mais suscetíveis a danos de vários tipos de solventes comerciais. Utilize panos de limpeza para retirar sujidades, pó, óleo, gordura, etc.

AJUSTAR O COMPRIMENTO DO FIO DE CORTE

A cabeça de choque permite ao operador libertar mais fio de corte sem parar o motor. À medida que o fio fica gasto, pode libertar mais fio, batendo ligeiramente o manipulador de corte no chão enquanto utiliza o aparador (Ver Fig. N).

AVISO: A libertação do fio irá ser mais difícil pois o fio começa a ficar mais curto.

⚠ AVISO: Não retire nem altere o conjunto da lâmina de corte do fio. Um fio com um comprimento excessivo faz o motor sobreaquecer e pode dar origem a lesões pessoais sérias.

SUBSTITUIÇÃO DO FIO

AVISO: Use sempre a linha de corte de nylon recomendada, com um diâmetro que não exceda 2,0 mm. Usar outra linha para além da especificada pode fazer com que a rocadeira sobreaqueça ou fique danificada.

⚠ AVISO: Nunca utilize fio reforçado com metal, arame, corda, etc. Estes podem partir e tornar-se projéteis perigosos.

Existem dois métodos para substituir o fio de corte:

1. Enrole a bobina com o fio novo.
2. Instale a bobina pré-enrolada (AS1302, se necessário, disponível junto do revendedor).

Enrolar um fio novo na bobina

Prima as duas abas de libertação na base da bobina e retire o fixador da bobina (Fig. O). Pegue em cerca de 5m de fio de corte novo. Dobre e enrole-a na bobina como apresentado na Fig. P e Q. Depois, coloque a terminação do fio pelos dois entalhes opostos na bobina (Fig. R) e coloque a bobina no respetivo fixador com os entalhes alinhados com os olhais do fixador (Fig. T). Por fim, alinhe as ranhuras do fixador com as abas na base da bobina e prima o fixador de forma uniforme, certificando-se que encaixa em posição (Fig. S).

AVISO: Limpe sempre o fixador da bobina, bobina e base da bobina antes de voltar a montar a cabeça do aparador. Verifique o fixador da bobina, bobina e base da bobina quanto a desgaste. Se for necessário, substitua as peças gastas.

AVISO: Não enrolar o fio na direção indicada faz com que a cabeça do aparador funcione incorretamente.

Instalar uma bobina pré-enrolada

Prima as duas abas de libertação na base da bobina e retire o fixador da bobina (Fig. O). Depois, coloque uma bobina pré-enrolada no fixador com os entalhes alinhados com os olhais do fixador (Fig. T). Por fim, alinhe as ranhuras do fixador com as abas na base da bobina e prima o fixador de forma uniforme, certificando-se que encaixa em posição (Fig. S).

Fig. S e T descrição das peças apresentada abaixo:

| | | | |
|-----|-----------|-----|---------|
| S-1 | Separador | T-1 | Entalhe |
| S-2 | Ranhura | T-2 | Olhal |

AVISO: Certifique-se de que as abas na base da bobina ficam fixadas no respetivo lugar ou a bobina sai durante o funcionamento.

MANUTENÇÃO

⚠ AVISO: Quando fizer reparações, utilize apenas peças sobressalentes idênticas. Inspeção e efetue a manutenção da máquina com regularidade. Para assegurar a segurança e bom funcionamento, todas as reparações deverão ser efetuadas por um técnico de reparação qualificado.

⚠ AVISO: As baterias não têm de ser ligadas a uma tomada. Assim, estão sempre em estado de funcionamento. Para evitar lesões pessoais sérias, tenha muito cuidado quando efectuar a manutenção, reparação ou mudança do acessório de corte ou de outros acessórios.

⚠ AVISO: Para evitar lesões pessoais sérias, retire a bateria do aparelho antes da reparação, limpeza, mudança de acessórios ou remoção de material da unidade.

LIMPEZA DA UNIDADE

- Limpe a unidade usando um pano humedecido com detergente suave.
- Não utilize detergentes fortes na estrutura de plástico ou na pega. Estes podem ser danificados por determinados óleos aromáticos, como pinho e limão e por solventes como querosene. A humidade também pode causar um perigo de choque. Retire qualquer vestígio de humidade com uma pano macio e seco.
- Utilize uma pequena escova ou a descarga de ar de uma pequena escova aspiradora para desobstruir as entradas de ar na estrutura traseira.

GUARDAR A UNIDADE

- Retire a bateria do aparador de fio quando não o utilizar.
- Limpe bem o aparelho antes de o guardar.
- Armazene a unidade num local seco, bem ventilado, trancado ou elevado, fora do alcance das crianças. Não armazene a unidade em cima ou perto de fertilizantes, gasolina ou outros químicos.

Proteção do ambiente



Não elimine equipamento elétrico, bateria gasta nem carregador juntamente com o lixo doméstico comum! Leve este produto a um centro de reciclagem autorizado para que possa haver uma separação das peças. As ferramentas elétricas têm de ser devolvidas em instalações de reciclagem ambientalmente compatíveis.

PT

RESOLUÇÃO DE PROBLEMAS**PT**

| PROBLEMA | CAUSA | SOLUÇÃO |
|---|--|---|
| O aparador de fio não pega. | <ul style="list-style-type: none">■ A bateria não foi colocada no aparador de fio.■ Não existe contacto elétrico entre o aparador e a bateria.■ A bateria está gasta.■ A alavanca de bloqueio e o gatilho não foram premidos em simultâneo. | <ul style="list-style-type: none">■ Fixe a bateria no aparador.■ Retire a bateria, verifique os contactos e volte a instalar a bateria.■ Carregue a bateria.■ Prima a alavanca de bloqueio e mantenha premida, depois prima o gatilho para ligar o aparador de fio. |
| O aparador de fio para durante o corte. | <ul style="list-style-type: none">■ A proteção não está montada no aparador, fazendo com que haja um fio excessivamente comprido e o sobreaquecimento do motor.■ Está a utilizar um fio de corte muito pesado.■ O eixo do motor ou a cabeça do aparador estão cheios de relva.■ O motor está sobrecarregado. ■ A bateria ou aparador de fio estão muito quentes.■ A bateria foi retirada da ferramenta.■ A bateria está gasta. | <ul style="list-style-type: none">■ Retire a bateria e monte a proteção no aparador. ■ Utilize apenas com um fio de corte de nylon com 2,0mm de diâmetro ou menos.■ Pare o aparador, retire a bateria e retire a relva do eixo do motor e da cabeça do aparador.■ Retire a cabeça do aparador da relva. O motor volta a funcionar mal a carga seja retirada. Quando cortar, mova a cabeça do aparador para um lado e para o outro na relva a ser cortada e nunca retire mais de 20cm num único corte.■ Deixe a bateria ou aparador arrefecer até que a temperatura atinja menos de 67 °C.■ Volte a colocar a bateria. ■ Carregue a bateria. |
| A cabeça do aparador não faz o fio avançar. | <ul style="list-style-type: none">■ O eixo do motor ou a cabeça do aparador estão cheios de relva.■ Não tem fio suficiente na bobina. ■ A cabeça do aparador está suja. ■ O fio ficou enroscado na bobina. ■ O fio é demasiado curto. | <ul style="list-style-type: none">■ Pare o aparador, retire a bateria e retire a relva do eixo do motor e da cabeça do aparador.■ Retire a bateria e substitua o fio de corte. Siga a secção "SUBSTITUIÇÃO DO FIO" neste manual.■ Retire a bateria e limpe a bobina, fixador da bobina e base da bobina.■ Retire a bateria, retire o fio da bobina e enrolado. Siga a secção "SUBSTITUIÇÃO DO FIO" neste manual.■ Retire a bateria e puxe as linhas enquanto prime alternadamente e liberta o manípulo de choque. |

| PROBLEMA | CAUSA | SOLUÇÃO |
|---|---|---|
| A relva enrola-se à volta da cabeça do aparador e da estrutura do motor.. | <ul style="list-style-type: none">▪ Cortar relva alta ao nível do solo. | <ul style="list-style-type: none">▪ Corte relva alta do topo até baixo, nunca retirando mais de 20cm em cada passo para evitar que a erva se enrolle. |
| O fio não está a cortar bem. | <ul style="list-style-type: none">▪ A lâmina de corte do fio na extremidade da proteção deixou de estar afiada. | <ul style="list-style-type: none">▪ Afie a lâmina de corte do fio com uma lima ou substitua por uma lâmina nova. |

GARANTIA

POLÍTICA DE GARANTIA EGO

Por favor, visite o website egopowerplus.com para saber todos os termos e condições da política de garantia EGO.

LEGGERE TUTTE LE ISTRUZIONI!



LEGGERE IL MANUALE DI ISTRUZIONI

AVVERTENZA! Rischi residui! Le persone portatrici di dispositivi elettronici, ad esempio pacemaker, devono consultare il proprio medico prima di usare questo prodotto. L'uso di apparecchi elettrici in prossimità di pacemaker cardiaci comporta il rischio di interferenze o malfunzionamento del pacemaker.



Avvertenza di sicurezza



Indossare protezioni per gli occhi - Durante l'uso del prodotto, indossare sempre occhiali protettivi o occhiali di sicurezza con protezioni laterali e una maschera facciale.



Indossare protezioni per le orecchie - Durante l'uso del prodotto, indossare sempre protezioni per le orecchie.



Indossare protezioni per la testa - Indossare un casco di sicurezza omologato per proteggere la testa.



Non installare lame rotonde.



Ampiezza - Ampiezza di taglio max. del decespugliatore



Assicurarsi che eventuali altre persone e animali rimangano ad almeno 15 m di distanza dall'apparecchio quando è in funzione.



Questo prodotto è conforme alle direttive europee applicabili.



I prodotti elettrici non devono essere smaltiti insieme ai rifiuti domestici. Portarli presso un centro di riciclaggio autorizzato.

V Tensione

.../min Al minuto

kg Chilogrammo

SIMBOLI DI SICUREZZA

AVVERTENZA! L'uso di apparecchi elettrici può causare il lancio di oggetti estranei verso l'operatore, con il rischio di lesioni gravi agli occhi. Durante l'uso dell'apparecchio, indossare sempre occhiali protettivi o occhiali di sicurezza con protezioni laterali e, se necessario, una maschera facciale. Si consiglia di indossare una maschera di sicurezza con ampio campo visivo sopra gli occhiali o occhiali di sicurezza standard con protezioni laterali.



Per ridurre il rischio di infortunio, l'operatore deve leggere il manuale di istruzioni.



Indossare calzature di sicurezza - Indossare calzature di sicurezza antiscivolo durante l'uso di questo apparecchio.



Indossare guanti di sicurezza - Proteggere le mani con i guanti durante la manipolazione della lama o della cuffia di protezione.



Fare attenzione al rischio di contraccolpo - Avverte l'operatore del pericolo di contraccolpo della lama.



Diametro - Diametro del filo di taglio in nylon



Gli oggetti lanciati possono rimbalzare e causare danni o lesioni. Assicurarsi che eventuali altre persone e animali rimangano a distanza dall'apparecchio quando è in funzione.



Non usare l'apparecchio in caso di pioggia e non lasciarlo all'aperto quando piove.



Questo prodotto è conforme alla legislazione britannica pertinente.



Livello di potenza sonora garantito. Emissione di rumore nell'ambiente conforme alla direttiva dell'Unione europea.

n_0 Velocità a vuoto-Velocità di rotazione, senza carico

— Corrente continua

SPECIFICHE TECNICHE

| | |
|---|-------------------------------------|
| Voltaggio | 56 V $\overline{\text{---}}$ |
| Giri a vuoto | Alta: 6500 /min Bassa: 5200 /min |
| Meccanismo di taglio | Testa del decespugliatore |
| Tipo di filo di taglio | 2,0mm Filo di torsione |
| Ampiezza di taglio | 33 cm |
| Temperatura di esercizio raccomandata | 0°C-40°C |
| Temperatura di conservazione raccomandata | -20°C-70°C |
| Peso (senza gruppo batteria) | 2,76 kg |
| Livello di potenza sonora misurato L_{WA} | 92,1 dB(A) K=1,6 dB(A) |
| Massimo livello di pressione sonora a livello dell'orecchio dell'operatore L_{PA} | 72,6 dB(A) K=2,5 dB(A) |
| Livello di potenza sonora garantito L_{WA} (misurato conformemente a 2000/14/EC) | 94 dB(A) |
| Vibrazioni a_h | Impugnatura anteriore ausiliaria |
| | Impugnatura posteriore |

- Il valore totale di vibrazioni indicato è stato misurato tramite il metodo di collaudo standard e può essere utilizzato per confrontare l'apparecchio con altri prodotti analoghi.
- Il valore totale di vibrazioni indicato può essere utilizzato anche per una valutazione preliminare dei livelli di esposizione.

NOTA: L'emissione di vibrazioni durante l'uso effettivo dell'apparecchio può variare rispetto al valore indicato in base a come viene utilizzato l'utensile. Per proteggersi, l'operatore deve indossare guanti e dispositivi di protezione per le orecchie in base alle reali condizioni d'uso.

CONTENUTO DELLA CONFEZIONE (Fig. A1)

DESCRIZIONE

DESCRIZIONE DEL DECESPUGLIATORE (Fig. A1)

1. Interruttore a grilletto
2. Impugnatura posteriore
3. Leva di sbloccaggio
4. Interruttore di regolazione della velocità
5. Impugnatura morbida

6. Impugnatura anteriore ausiliaria regolabile
7. Testa del decespugliatore (testa di taglio)
8. Pulsante di rilascio del filo
9. Lama del filo di taglio
10. Protezione parasassi
11. Meccanismo di espulsione
12. Contatti elettrici
13. Dispositivo di chiusura
14. Pulsante di rilascio della batteria

ASSEMBLAGGIO

APERTURA DELL'ASTA

AVVERTENZA! Non afferrare l'asta in prossimità dei raccordi per evitare lesioni a mani o dita.

AVVERTENZA! Non tentare di avviare l'apparecchio finché l'asta non è stata bloccata. Aprire l'asta delicatamente, assicurandosi che il cavo sia all'interno dell'asta, e bloccarla con due viti usando la chiave fornita (Fig. B1 e B2).

ASSEMBLARE LA PROTEZIONE PARASASSI

Allineare i fori di montaggio della cuffia con i fori di assemblaggio, quindi bloccare la cuffia sulla base dell'albero con le due viti. Accertarsi che la cuffia sia fissata come illustrato in Fig. C; un fissaggio invertito comporta gravi rischi!

INSTALLAZIONE E REGOLAZIONE DELL'IMPUGNATURA ANTERIORE AUSILIARIA

Spingere l'impugnatura anteriore ausiliaria sull'albero (Fig. E), inserire il morsetto sulla scanalatura dell'impugnatura (Fig. F), installare il perno di bloccaggio e bloccarli con il dado a farfalla (Fig. G). La sequenza è illustrata in Fig. D. Infine regolare la posizione dell'impugnatura anteriore ausiliaria affinché il proprio braccio anteriore sia dritto durante l'uso del decespugliatore (Fig. H), quindi bloccare la leva del perno di bloccaggio (Fig. I).

Descrizione delle parti in Fig. D e H:

| | | | |
|-----|----------------------------------|-----|-------------------------|
| D-1 | Impugnatura anteriore ausiliaria | D-4 | Dado a farfalla |
| D-2 | Perno di bloccaggio | H-1 | Impugnatura morbida |
| D-3 | Morsetto | H-2 | Etichetta di avvertenza |

NOTA: l'impugnatura anteriore ausiliaria deve essere ruotata verso l'alto affinché punti verso la parte superiore dell'impugnatura.

AVVERTENZA! Fissare l'impugnatura anteriore ausiliaria esclusivamente davanti al rivestimento morbido sull'albero.

AVVERTENZA! L'apparecchio non può essere usato senza l'impugnatura anteriore ausiliaria fissata saldamente.

FUNZIONAMENTO

AVVERTENZA! La familiarità con questo apparecchio non deve rendere l'operatore disattento. Anche un solo momento di disattenzione comporta il rischio di lesioni gravi.

AVVERTENZA! Indossare sempre occhiali di sicurezza con protezioni laterali. Indossare anche protezioni per le orecchie. Il mancato rispetto di questa istruzione comporta il rischio di oggetti proiettati verso gli occhi dell'operatore e altre lesioni gravi.

AVVERTENZA! Non usare accessori non raccomandati dal costruttore dell'apparecchio. L'uso di accessori non raccomandati comporta il rischio di lesioni gravi.

AVVERTENZA! Usare il decespugliatore dotato del filo di taglio appropriato esclusivamente per tagliare erba e materiali similari.

Questo prodotto può essere usato per gli scopi elencati di seguito:

Rifinitura: per rimuovere erba e erbacce contro muri, steccati, alberi e bordi.

Taglio: per tagliare erba difficile da raggiungere con un normale tosaerba.

NOTA: Usare l'apparecchio esclusivamente per gli scopi previsti. Altri utilizzi, ad esempio come bordatore, sono da considerarsi uso improprio.

INSTALLARE/RIMUOVERE IL GRUPPO BATTERIA

Ricaricare completamente prima del primo utilizzo

Usare esclusivamente con i gruppi batteria e i caricabatteria elencati in fig. A2.

Installazione

Allineare i rilievi sul gruppo batteria con le scanalature di assemblaggio e premere il gruppo batteria fino a udire un "clic". (Fig J)

Rimozione

Premere il pulsante di rilascio della batteria ed estrarre il gruppo batteria in Fig. K.

COME TENERE IL DECESPUGLIATORE

AVVERTENZA! Vestirsi adeguatamente per ridurre il rischio di infortunio durante l'uso dell'apparecchio. Non indossare indumenti ampi o gioielli. Indossare dispositivi di protezione per gli occhi/orecchie. Indossare pantaloni lunghi e pesanti, stivali e guanti. Non indossare pantaloni corti o sandali e non usare l'apparecchio a piedi nudi.

Prima di avviare il decespugliatore, tenerlo con entrambe le mani: una mano sull'impugnatura posteriore e l'altra sull'impugnatura anteriore ausiliaria, che deve essere diritta (Fig. L). Assumere quindi una posizione in equilibrio e osservare una corretta distanza di taglio; non piegarsi in avanti.

AVVIARE/ARRESTARE IL DECESPUGLIATORE

Avvio

Tenere premuta la leva di sbloccaggio. Premere l'interruttore a grilletto per avviare il decespugliatore come illustrato in Fig. M.

Arresto

Rilasciare la leva di sbloccaggio e l'interruttore a grilletto.

NOTA: il motore è dotato di due velocità di taglio: la posizione "1" corrisponde alla velocità più bassa, e la posizione "2" corrisponde alla velocità alta, come illustrato in Fig. M. Spingere l'interruttore di regolazione della velocità sulla posizione desiderata durante il taglio.

Descrizione delle parti in Fig. M:

| | |
|-----|-------------|
| M-1 | Posizione 1 |
| M-2 | Posizione 2 |

AVVERTENZA! Rimuovere sempre il gruppo batteria dal decespugliatore durante le pause e al termine del lavoro.

COME USARE IL DECESPUGLIATORE

AVVERTENZA! Per evitare lesioni gravi, indossare sempre occhiali di protezione o di sicurezza durante tutto l'uso dell'apparecchio. Indossare una maschera facciale o antipolvere in ambienti polverosi.

Sgombrare l'area da tagliare prima di ogni utilizzo. Rimuovere oggetti come pietre, vetri rotti, chiodi, cavi o corde perché potrebbero venire lanciati o impigliarsi nell'accessorio di taglio. Tenere lontani dall'area di lavoro bambini, altre persone e animali. Tenere eventuali bambini, altre persone e animali ad almeno 15m di distanza; permane tuttavia il rischio di lesioni alle altre persone dovute al lancio di oggetti. Si raccomanda di far indossare dei dispositivi di protezione per gli occhi a eventuali persone presenti. Se un'altra persona si avvicina, arrestare immediatamente il motore e l'accessorio di taglio.

Prima di ogni utilizzo, verificare l'assenza di componenti danneggiati/usurati

Ispezionare la testa di taglio, la protezione parasassi e l'impugnatura anteriore ausiliaria e sostituire i componenti incrinati, deformati, piegati o danneggiati in qualsiasi modo.

La lama del filo di taglio sul bordo della protezione parasassi può smussarsi col tempo. Si consiglia di affilarla periodicamente con una lima o di sostituirla con una lama nuova.

⚠ AVVERTENZA! Indossare sempre i guanti durante l'installazione della protezione parasassi o durante l'affilatura o la sostituzione della lama. Fare attenzione alla lama sulla protezione parasassi e proteggere le mani dal rischio di lesioni.

Pulire il decespugliatore dopo ogni utilizzo.

⚠ ATTENZIONE! L'ostruzione delle aperture di ventilazione impedirà il flusso d'aria all'interno del vano motore, causando il surriscaldamento o il danneggiamento del motore.

- Usare esclusivamente sapone neutro e un panno umido per pulire l'apparecchio. Evitare la penetrazione di liquidi all'interno dell'apparecchio. Non immergere mai alcuna parte dell'apparecchio in liquidi.
- Mantenere le aperture di ventilazione sul vano motore e sull'albero costantemente prive di detriti.

⚠ AVVERTENZA! Non usare mai acqua per pulire l'apparecchio. Evitare l'uso di solventi durante la pulizia delle parti in plastica. La maggior parte dei materiali plastici può essere danneggiata da diversi tipi di solventi in commercio. Usare un panno pulito per rimuovere sporcizia, polvere, olio, grasso, ecc.

■ REGOLARE LA LUNGHEZZA DEL FILO DI TAGLIO

La testa di taglio permette all'operatore di allungare il filo di taglio senza arrestare il motore. Quando il filo diventa sfilacciato o usurato, allungarlo premendo leggermente il pulsante di rilascio del filo sul terreno mentre il decespugliatore è in funzione (Fig. N).

NOTA: allungare il filo diventa più difficile mano a mano che il filo di taglio si accorcia.

⚠ AVVERTENZA! Non rimuovere o alterare la lama del filo di taglio. Una lunghezza eccessiva del filo causerà il surriscaldamento del motore e il conseguente rischio di lesioni gravi.

SOSTITUZIONE DEL FILO

⚠ ATTENZIONE! Utilizzare esclusivamente il filo di taglio in nylon raccomandato con diametro non superiore a 2,0mm. L'uso di fili diversi da quello specificato comporta il rischio di surriscaldamento o danneggiamento del decespugliatore.

⚠ AVVERTENZA! Non usare mai cavi, fili rinforzati in metallo, corda, ecc. perché possono rompersi e diventare proiettili pericolosi.

Sono disponibili due modalità di sostituzione del filo di taglio:

1. Avvolgere del filo nuovo sulla bobina.
2. Installare una bobina con filo (AS1302, disponibili presso il rivenditore).

Avvolgere del filo nuovo sulla bobina

Premere le due linguette di rilascio sulla base della bobina ed estrarre il fermo della bobina estraendolo in linea retta (Fig. O). Estrarre circa 5m di filo di taglio nuovo. Piegarlo e avvolgerlo sulla bobina come illustrato in Fig. P e Q. Infilare le estremità del filo attraverso le due tacche opposte della bobina (Fig. R) e posizionare la bobina nel suo fermo con le tacche allineate con gli occhielli del fermo (Fig. T). Infine, allineare le fessure sul fermo con le linguette sulla base della bobina e premere il fermo uniformemente finché non si incastra in posizione (Fig. S).

NOTA: pulire sempre il fermo della bobina, la bobina e la base della bobina prima di reinstallarli sulla testa di taglio. Verificare che il fermo della bobina, la bobina e la base della bobina non siano usurati. Se necessario, sostituire i componenti usurati.

NOTA: l'avvolgimento del filo nella direzione errata causerà il malfunzionamento della testa di taglio.

Installare una nuova bobina con filo

Premere le due linguette di rilascio sulla base della bobina ed estrarre il fermo della bobina estraendolo in linea retta (Fig. O). Posizionare una nuova bobina nel fermo con le tacche allineate con gli occhielli del fermo (Fig. T). Infine, allineare le fessure sul fermo con le linguette sulla base della bobina e premere il fermo uniformemente finché non si incastra in posizione (Fig. S).

Descrizione delle parti in Fig. S e T:

| | | | |
|-----|-----------|-----|-----------|
| S-1 | Linguetta | T-1 | Tacca |
| S-2 | Fessura | T-2 | Occhiello |

NOTA: accertarsi che le linguette sulla base della bobina si incastrino in posizione per evitare che la bobina fuoriesca durante il funzionamento.

MANUTENZIONE

AVVERTENZA! Per la riparazione dell'apparecchio, usare esclusivamente parti di ricambio identiche. Ispezionare l'apparecchio ed effettuare la manutenzione regolarmente. Per garantire sicurezza e affidabilità, tutte le riparazioni e sostituzioni devono essere eseguite da un tecnico qualificato.

AVVERTENZA! Gli apparecchi a batteria non hanno bisogno di essere collegati a un impianto elettrico; pertanto sono sempre in condizioni operative. Per evitare lesioni gravi, prestare particolare attenzione durante le operazioni di manutenzione o riparazione e la sostituzione dell'accessorio di taglio o di altri accessori.

AVVERTENZA! Per evitare lesioni gravi, rimuovere il gruppo batteria dall'apparecchio prima di pulirlo o ripararlo e prima di sostituire gli accessori o rimuovere del materiale dall'apparecchio.

PULIZIA DELL'APPARECCHIO

- Pulire l'apparecchio usando un panno inumidito con del detergente neutro.
- Non usare detergenti aggressivi sulle superfici esterne in plastica o sull'impugnatura perché possono essere danneggiate da alcuni oli aromatici, come pino e limone, e da solventi come il cherosene. L'umidità comporta il rischio di scossa elettrica. Rimuovere eventuali segni di umidità con un panno asciutto e morbido.
- Usare una piccola spazzola o un piccolo aspirapolvere per pulire le aperture di ventilazione sul vano motore.

CONSERVAZIONE DELL'APPARECCHIO

- Rimuovere il gruppo batteria dal decespugliatore quando non è in uso.
- Pulire accuratamente l'apparecchio prima di riporlo.
- Conservare l'apparecchio in un luogo asciutto, ben ventilato, elevato o chiuso a chiave, e fuori dalla portata dei bambini. Non conservare l'apparecchio sopra o in prossimità di fertilizzanti, benzina o altre sostanze chimiche.

Protezione dell'ambiente



Non smaltire apparecchi elettrici, caricabatteria e batterie insieme ai rifiuti domestici. Portare il prodotto presso un centro di riciclaggio autorizzato affinché venga raccolto separatamente. Gli apparecchi elettrici devono essere portati presso un centro di riciclaggio ecocompatibile.

RISOLUZIONE DEI PROBLEMI

| PROBLEMA | CAUSA | SOLUZIONE |
|---|---|--|
| Il decespugliatore non si avvia. | <ul style="list-style-type: none"> ■ Il gruppo batteria non è installato sul decespugliatore. ■ Il contatto elettrico tra il decespugliatore e la batteria è mancante. ■ Il gruppo batteria è scarico. ■ La leva di sbloccaggio e l'interruttore a grilletto non sono stati premuti contemporaneamente. | <ul style="list-style-type: none"> ■ Installare il gruppo batteria sul decespugliatore. ■ Rimuovere la batteria, ispezionare i contatti e reinstallare il gruppo batteria. ■ Ricaricare il gruppo batteria. ■ Per avviare il decespugliatore, tenere premuta la leva di sbloccaggio contemporaneamente all'interruttore a grilletto. |
| Il decespugliatore si arresta durante il taglio | <ul style="list-style-type: none"> ■ La protezione parasassi non è installata sul decespugliatore, causando l'eccessiva lunghezza del filo di taglio e il sovraccarico del motore. ■ È in uso un filo di taglio troppo spesso. ■ L'albero di comando o la testa di taglio sono bloccati dall'erba. ■ Il motore è sovraccarico. ■ Il gruppo batteria o il decespugliatore sono troppo caldi. ■ Il gruppo batteria non è installato sul decespugliatore. ■ Il gruppo batteria è scarico. | <ul style="list-style-type: none"> ■ Rimuovere il gruppo batteria e installare la protezione parasassi sul decespugliatore. ■ Utilizzare esclusivamente un filo di taglio in nylon da 2,0mm di diametro o inferiore. ■ Arrestare il decespugliatore, rimuovere la batteria e rimuovere l'erba dall'albero di comando e dalla testa di taglio. ■ Rimuovere la testa di taglio dall'erba. Il motore si riavvierà alla rimozione del carico. Durante il taglio, spostare la testa di taglio dentro e fuori dall'erba da tagliare e rimuovere non più di 20cm di lunghezza a ogni passata. ■ Attendere che la temperatura del gruppo batteria e del decespugliatore scenda al di sotto di 67°C. ■ Reinstallare il gruppo batteria. ■ Ricaricare il gruppo batteria. |

IT

| PROBLEM | CAUSA | SOLUZIONE |
|---|---|---|
| Non è possibile allungare il filo della testa di taglio | <ul style="list-style-type: none"> ■ L'albero di comando o la testa di taglio sono bloccati dall'erba. ■ La bobina non contiene abbastanza filo. ■ La testa di taglio è sporca. ■ Il filo è impigliato sulla bobina. ■ Il filo è troppo corto. | <ul style="list-style-type: none"> ■ Arrestare il decespugliatore, rimuovere la batteria e rimuovere l'erba dall'albero di comando e dalla testa di taglio. ■ Rimuovere la batteria e sostituire il filo di taglio. Seguire le istruzioni alla sezione SOSTITUZIONE DEL FILO in questo manuale. ■ Rimuovere la batteria e pulire la bobina, il fermo della bobina e la base della bobina. ■ Rimuovere la batteria, rimuovere il filo dalla bobina e riavvolgerlo. Seguire le istruzioni alla sezione SOSTITUZIONE DEL FILO in questo manuale. ■ Rimuovere la batteria, quindi tirare il filo e nel contempo premere e rilasciare il pulsante di rilascio del filo. |
| L'erba si avvolge intorno alla testa di taglio e al vano motore | <ul style="list-style-type: none"> ■ Tagliare l'erba a livello del terreno. | <ul style="list-style-type: none"> ■ Tagliare l'erba dall'alto verso il basso, rimuovendo non più di 20cm a ogni passata per evitare il problema. |
| Il filo non taglia bene | <ul style="list-style-type: none"> ■ La lama del filo di taglio sul bordo della Protezione parasassi è smussata. | <ul style="list-style-type: none"> ■ Affilarle la lama del filo di taglio con una lima o sostituirla con una lama nuova. |

GARANZIA

CONDIZIONI DELLA GARANZIA EGO

Visitare il sito web egopowerplus.com per consultare le condizioni complete della garanzia EGO.

LEES ALLE INSTRUCTIES!



LEES DE GEBRUIKSAANWIJZING

⚠ WAARSCHUWING: Restrisico! Personen met elektronische apparaten, zoals pacemakers, moeten eerst hun arts(en) raadplegen voordat ze dit product gebruiken. De werking van een elektrisch apparaat in de nabijheid van een pacemaker kan een storing of defect van de pacemaker veroorzaken.



Veiligheidswaarschuwing



Draag oogbescherming - Draag altijd een veiligheidsbril met zjschermen en een gelaatsscherm als u dit product gebruikt.



Draag oorbescherming - Draag altijd gehoorbescherming wanneer u dit product gebruikt.



Draag hoofdbescherming - Draag een goedgekeurde veiligheidshelm om uw hoofd te beschermen.



Installeer geen ronde snijmesses.



Maaibreedte - De max. maaibreedte van de grastrimmer



Zorg dat andere personen en huisdieren zich op minstens 15m van de trimmer bevinden wanneer deze in gebruik is.



Dit product is in overeenstemming met de EG-richtlijnen.



Gooi elektrisch afval niet via het huishoudelijk afval weg. Breng het naar een geautoriseerd recyclingbedrijf.

V Spanning

.../min Per minuut

kg Kilogram

VEILIGHEIDSSYMBOLEN

⚠ WAARSCHUWING: De werking van het apparaat kan leiden tot het rondslingeren van (vreemde) objecten die in uw ogen kunnen terechtkomen. Dit kan leiden tot ernstig oogletsel. Wanneer u elektrische apparaten gebruikt, zorg er dan voor dat u altijd een veiligheidsbril (met zjschermen) of een gelaatsscherm draagt. We bevelen aan om een gelaatsscherm over uw bril of standaard veiligheidsbril met zjschermen te gebruiken.



De gebruiker moet de gebruiksaanwijzing lezen om het risico op letsel te beperken.



Draag veiligheidsschoeisel - Draag slipvrije veiligheidsschoenen als u dit apparaat gebruikt.



Draag veiligheidshandschoenen - Bescherm uw handen met handschoenen bij de omgang met de messen of de mesbeschermer.



Pas op voor de stuwkracht van het mes - Waarschuw de bediener voor de gevaren van de stuwkracht van het mes.



Draaddiameter - De diameter van de nylon snijdraad



Wegslingerende voorwerpen kunnen afketsen en leiden tot persoonlijk letsel of schade aan eigendommen. Zorg dat andere personen en huisdieren zich uit de buurt van de bosmaaier bevinden wanneer in gebruik.



Gebruik het apparaat niet in de regen en laat het tevens niet buiten achter als het regent.



Dit product is in overeenstemming met de toepasselijke richtlijnen van het VK.



Gewaarborgd geluidsvermogensniveau. Geluidsemissie voor de omgeving in overeenstemming met de richtlijnen van de Europese Unie.

n_b Snelheid zonder belasting - Draaisnelheid, zonder belasting

⚡ Gelijkstroom

NL

SPECIFIEKE TECNICHE

| | |
|--|------------------------------------|
| Spanning | 56 V $\overline{\text{---}}$ |
| Snelheid zonder belasting | Hoog: 6500 /min Laag: 5200 /min |
| Snijmechanisme | Aantikkop |
| Type snijdraad | 2,0 mm nylon gedraaide draad |
| Maaibreedte | 33 cm |
| Aanbevolen bedrijfstemperatuur | 0°C-40°C |
| Aanbevolen opslagtemperatuur | -20°C-70°C |
| Gewicht (zonder accupack) | 2,76 kg |
| Gemeten geluidsvermogensniveau L_{WA} | 92,1 dB(A) K=1,6 dB(A) |
| Max. geluidsdrukkniveau bij het oor van de bediener L_{PA} | 72,6 dB(A) K=2,5 dB(A) |
| Gewaarbord geluidsvermogensniveau L_{WA} (in overeenstemming met 2000/14/EC) | 94 dB(A) |
| Inschatting van de vibratie a_h | Voorste handgreep |
| | Achterste handgreep |

- De opgegeven totale vibratiewaarde is gemeten volgens de standaard testmethode en kan worden gebruikt om het apparaat met een ander apparaat te vergelijken;
- De opgegeven totale vibratiewaarde kan tevens worden gebruikt in een voorafgaande beoordeling op blootstelling.

OPMERKING: De trillingsemisatie tijdens het werkelijk gebruik van het elektrisch gereedschap kan verschillen van de opgegeven totale waarde; Om de bediener te beschermen dient de gebruiker tijdens het gebruik handschoenen en gehoorbescherming te dragen.

INHOUD VAN DE VERPAKKING (AFB.A1)

BESCHRIJVING

KEN UW GRASTRIMMER (afb. A1)

- Schakelaar
- Achterste handgreep
- Ontgrendelingshendel
- Schakelaar voor het aanpassen van de snelheid

- Zachte hoesebekleding
- Aanpasbare voorste handvat
- Trimmerkop (aantikkop)
- Aantikkop
- Mes voor het snijden van de draad
- Scherm
- Uitwerpmechanisme
- Elektrische contacten
- Vergrendeling
- Accuvrijgaveknop

MONTAGE

DE AS UITKLAPPEN

WAARSCHUWING: Houd de as niet vast aan de scharnieren om het inklemmen van handen of vingers te voorkomen.

WAARSCHUWING: Tracht de trimmer niet te starten totdat de as is vergrendeld. Klap de as voorzichtig uit, zorg ervoor dat de kabel in de as zit en vergrendel hem met de twee schroeven met behulp van de meegeleverde sleutel (afb. B1 & B2).

HET SCHERM MONTEREN

Breng het scherm boven de montagegaten en bevestig het scherm vervolgens met de twee schroeven aan de asbasis. Zorg ervoor dat de bescherming volgens afb. C is bevestigd; een andere bevestiging kan groot gevaar veroorzaken!

DE VOORSTE HANDGREEP MONTEREN EN AANPASSEN

Druk het voorste handvat op de schacht (afb. E), plaats vervolgens het klemblok in de handvatsleuf (afb. F), bevestig de vergrendelingsstang, vergrendel hem met de vleugelmoer (afb. G). De volgorde is zoals weergegeven in afb. D. Tenslotte stelt u de positie van het voorste handvat in, waardoor uw voorste arm recht is als u de grastrimmer (afb. H) gebruikt en vergrendel de hendel om de stang te vergrendelen (afb. I).

Afb. D & H beschrijving van de onderdelen zie beneden:

| | | | |
|-----|----------------------------------|-----|-----------------------|
| D-1 | Voorste ondersteunende handgreep | D-4 | Vleugelmoer |
| D-2 | Vergrendelingsstang | H-1 | Zachte hoesebekleding |
| D-3 | Klemblok | H-2 | Waarschuwingslabel |

OPMERKING: Het voorste handvat moet naar boven gericht zijn om naar het de bovenkant van het handvat te wijzen.

⚠ WAARSCHUWING: Bevestig het voorste handvat alleen vóór de zachte hoesbekleding op de as.

⚠ WAARSCHUWING: Het gereedschap kan niet worden gebruikt als het voorste handvat niet goed bevestigd is.

GEBRUIK

⚠ WAARSCHUWING: Vertrouwdheid kan leiden tot onvoorzichtigheid. Opgelet, één seconde van onoplettendheid kan ernstig letsel teweegbrengen.

⚠ WAARSCHUWING: Draag altijd oogbescherming met zischermen en gehoorbescherming. Het niet dragen van deze beschermingsuitrusting kan ertoe leiden dat voorwerpen in uw ogen terechtkomen of kan een ander ernstig letsel veroorzaken.

⚠ WAARSCHUWING: Gebruik geen opzetstukken of toebehoren die niet door de fabrikant van dit product zijn aanbevolen. Het gebruik van niet aanbevolen opzetstukken of toebehoren kan leiden tot ernstig persoonlijk letsel.

⚠ WAARSCHUWING: Gebruik uw trimmer alleen met de gepaste snijdraad specifiek voor het maaien van gras en gelijksoortig materiaal.

U kunt dit product gebruiken voor onderstaand vermelde doeleinden:

Trimmen: wordt gebruikt voor het verwijderen van gras en onkruid langs muren, hekken, bomen en perken.

Snijden: wordt gebruikt voor het maaien van gras dat moeilijk te bereiken is met een normale grasmaaier.

OPMERKING: Het gereedschap mag alleen voor het voorheen genoemde doeleinde worden gebruikt. Ieder ander gebruik, bijvoorbeeld het trimmen van randen, is in dit geval misbruik.

HET ACCUPACK INSTALLEREN/VERWIJDEREN

Voor de eerste ingebruikname volledig opladen.

Gebruik alleen met de in afb. A2 vermelde accupacks en laders

Installeren

Breng de ribbels van de accu overeen met de montagesleuven en druk het accupack naar beneden totdat u "klik" hoort (afb. J).

Verwijderen

Druk de accu-ontgrendelingsknop naar beneden en trek het accupack eruit zoals weergegeven in afb. K.

DE GRASTRIMMER VASTHOUDEN

⚠ WAARSCHUWING: Draag gepaste kleding om het risico op letsel tijdens gebruik van dit gereedschap te beperken. Draag geen los hangende kleding of sieraden. Draag oog- en oor/gehoorbescherming. Draag een stevige lange broek, laarzen en handschoenen. Draag geen korte broek, sandalen of ga niet blootsvoets.

Voor het gebruik dient u de trimmer met beide handen vast te houden, één hand aan het achterste handvat en de andere hand aan het voorste handvat, waarbij de arm recht moet zijn (afb. L). Let vervolgens op een goede stand en een goede maai-afstand zonder naar voren gebukt te staan.

DE GRASTRIMMER STARTEN/STOPPEN

Starten

Duw de ontgrendelingshendel in en houd deze in positie. Haal de trekker over om de trimmer in te schakelen zoals weergegeven in afb. M.

Stoppen

Laat de ontgrendelingshendel en de schakelaar los.

OPMERKING: De motor heeft twee snelheden om te maaien, positie "1" voor een lagere snelheid en positie "2" voor een hogere snelheid, zoals weergegeven in afb. M. Druk de schakelaar voor de snelheid gewoon tijdens het maaien op de gewenste positie.

Afb. M beschrijving van de onderdelen zie beneden:

| | |
|-----|-----------|
| M-1 | Positie 1 |
| M-2 | Positie 2 |

⚠ WAARSCHUWING: Haal altijd het accupack uit de grastrimmer wanneer u een pauze inlast of na gebruik van het gereedschap.

DE GRASTRIMMER GEBRUIKEN

⚠ WAARSCHUWING: Om ernstig persoonlijk letsel te voorkomen, draag altijd een veiligheidsbril wanneer u dit gereedschap gebruikt. Draag een gezichts- of stofmasker in geval van een stoffige omgeving.

Voor gebruik, verwijder alle mogelijke obstakels uit de te maaien zone. Verwijder voorwerpen zoals stenen, gebroken glas, spijkers, draad of koorden, die opgegooid kunnen worden of in het snijelement terecht kunnen komen. Zorg dat er zich geen kinderen, omstanders of huisdieren in de omgeving bevinden. Houd kinderen, omstanders en

huisdieren op een afstand van minstens 15 m; er is nog altijd risico op het wegslingeren van voorwerpen richting omstanders. Omstanders worden aangespoord om oogbescherming te dragen. Als iemand in de buurt komt, stop de motor en het snijelement dan onmiddellijk.

Controleer voor elk gebruik op beschadigde/ versleten onderdelen

Controleer de aantikkop, scherm en voorste handgreep en vervang de onderdelen die gebarsten, scheef getrokken, gebogen of beschadigd zijn.

NL

Het mes voor het snijden van de draad op de rand van het scherm kan na verloop van tijd bot worden. Het wordt aanbevolen om het mes regelmatig met een vijl te slijpen of door een nieuw mes te vervangen.

WAARSCHUWING: Draag altijd handschoenen wanneer u het scherm monteert of het mes slijpt of vervangt. Let op voor het mes op de bescherming zodat u geen letsel oploopt.

Maak de trimmer na elk gebruik schoon.

OPGELET: Belemmeringen in de ventilatieopeningen beletten de aanvoer van lucht in de motorbehuizing. Dit kan oververhitting of schade aan de motor veroorzaken.

- Maak het gereedschap alleen schoon met een vochtige doek en milde zeep. Zorg dat er geen vloeistof het gereedschap binnendringt. Dompel nooit een deel van het gereedschap in een vloeistof.
- Houd de luchtopeningen in de motorbehuizing op elk moment vrij van vuil.

WAARSCHUWING: Maak uw grastrimmer nooit schoon met water. Maak de kunststof onderdelen niet schoon met oplosmiddelen. De meeste kunststoffen kunnen door verschillende soorten van commercieel beschikbare oplosmiddelen schade oplopen. Gebruik een schone doek voor het verwijderen van vuil, stof, olie, smeer, etc.

DE LENGTE VAN DE SNIJDRAAD AANPASSEN

De aantikkop stelt de bediener in staat om meer snijdraad vrij te geven zonder de motor te moeten stoppen. Als de snijdraad uitgerafeld of versleten raakt, geef extra draad vrij door de aantikkop tijdens gebruik van de trimmer voorzichtig tegen de grond te tikken (afb. N).

OPMERKING: Het vrijgeven van draad wordt moeilijker naarmate de draad korter wordt.

WAARSCHUWING: Verwijder of pas de draadsnijder niet aan. Door een te lange snijdraad zal de motor oververhitten wat tot ernstig persoonlijk letsel kan leiden.

DE DRAAD VERVANGEN

OPMERKING: Gebruik de geadviseerde nylon snijdraad met een diameter van niet meer dan 2,0 mm. Het gebruik van een andere dan de aanbevolen draad kan leiden tot oververhitting of schade aan de grastrimmer.

WAARSCHUWING: Gebruik nooit een met metaal versterkte draad, kabel, koord etc. Deze kunnen afbreken en een gevaarlijk projectiel worden.

U kunt de snijdraad op twee manieren vervangen:

1. Wikkel nieuwe draad op de spoel.
2. Installeer een reeds opgewikkelde spoel (AS1302, indien nodig verkrijgbaar bij uw handelaar).

Nieuwe draad op de spoel wikkelen

Druk op de twee klemcontacten op de basis van de spoel en trek de vastzetting van de spoel eruit (afb. O). Haal ongeveer 5m snijdraad met een diameter van 2,0 mm eruit. Vouw hem en draai hem op de spoel zoals getoond in afb. P & Q. Stop de draaduiteinden door de twee tegenovergestelde inkepingen in de spoel (afb. R) en plaats de spoel in de houder met de inkepingen op één lijn met de oogjes in de houder (afb. T). Tenslotte plaatst u de bevestigingssleuven met de lipjes op de spoelbasis en drukt u de houder gelijkmatig naar beneden, waardoor u ervoor zorgt dat hij juist vast klikt (afb. S).

OPMERKING: Maak altijd de vastzetting, spoel en basis schoon voordat u de snijkop terugplaatst. Controleer de vastzetting, spoel en basis op slijtage. Indien nodig, vervang de versleten onderdelen.

OPMERKING: Als de draad niet in de aangegeven richting wordt opgewikkeld, zal de snijkop verkeerd werken.

Een spoel die vooraf met draad is gewikkeld installeren

Druk op de twee klemcontacten op de basis van de spoel en trek de vastzetting van de spoel eruit (afb. O). Plaats vervolgens de vooraf opgewikkelde spoel in de houder met de inkepingen tegenover de oogjes van de houder (afb. T). Tenslotte plaatst u de bevestigingssleuven met de lipjes op de spoelbasis en drukt u de houder gelijkmatig naar beneden, waardoor u ervoor zorgt dat hij juist vast klikt (afb. S).

Afb. S & T beschrijving van de onderdelen zie beneden:

| | | | |
|-----|-------------|-----|----------|
| S-1 | Klemcontact | T-1 | Inkeping |
| S-2 | Gleuf | T-2 | Oogje |

OPMERKING: Zorg dat de contactklemmen op de basis op hun plaats klikken anders zal de spoel tijdens de werking loskomen.

ONDERHOUD

⚠ WAARSCHUWING: Bij reparatie, gebruik uitsluitend identieke reserve-onderdelen. Controleer en onderhoud het gereedschap regelmatig. Laat alle reparaties uitvoeren door een vakbekwame reparateur om een continue veiligheid en betrouwbaarheid te waarborgen.

⚠ WAARSCHUWING: Accugereedschap hoeft niet aan een stopcontact te worden aangesloten en kan dus altijd onmiddellijk gebruikt worden. Neem extra voorzorgsmaatregelen wanneer u het snijelement of andere accessoires onderhoudt, reinigt of wijzigt om ernstig persoonlijk letsel te voorkomen.

⚠ WAARSCHUWING: Om ernstig persoonlijk letsel te voorkomen, haal het accupack uit het gereedschap voor onderhoud, reiniging, het wijzigen van accessoires of het verwijderen van materiaal.

HET APPARAAT SCHOONMAKEN

- Maak het apparaat schoon met een vochtige doek en mild schoonmaakmiddel.
- Maak de kunststof behuizing of handgreep niet schoon met een agressief schoonmaakmiddel. Deze kunnen door bepaalde aromatische oliën, zoals pijnboom en citroen, en oplosmiddelen, zoals kerosine, worden beschadigd. Vocht kan risico op elektrische schokken met zich meebrengen. Veeg eventueel vocht weg met een zachte en droge doek.
- Maak de ventilatieopeningen van het achterste gedeelte van de behuizing schoon met een kleine borstel of een stofzuiger met een kleine borstel.

HET APPARAAT OPBERGEN

- Verwijder het accupack van de grastrimmer wanneer u hem niet gebruikt.
- Maak het gereedschap grondig schoon voordat u het opbergt.
- Berg het apparaat op in een droge, goed geventileerde en afsluitbare ruimte of op een hoge hoogte en buiten het bereik van kinderen. Berg het apparaat niet op in de buurt van meststoffen, benzine of andere chemicaliën.

Het milieu beschermen



Gooi geen elektrische apparatuur, gebruikte accu's en laders weg via het huishoudelijk afval! Geef dit product af bij een geautoriseerd recyclingbedrijf en zorg dat het apart kan worden ingezameld. Elektrisch gereedschap moet worden afgegeven voor een milieuvriendelijke recycling.

NL

PROBLEEMOPLOSSING**NL**

| PROBLEEM | OORZAAK | OPLOSSING |
|--|---|--|
| De grastrimmer start niet. | <ul style="list-style-type: none">■ Het accupack is niet met de grastrimmer verbonden.■ Er is geen elektrisch contact tussen de grastrimmer en accu.■ Het accupack is uitgeput.■ De ontgrendelingshendel en trekker zijn niet gelijktijdig ingeduwd. | <ul style="list-style-type: none">■ Verbind het accupack met de grastrimmer.■ Verwijder de accu, controleer de contacten en bevestig het accupack weer.■ Laad het accupack op.■ Om de grastrimmer te starten, duw de vergrendelingshendel omlaag en houd op deze positie. Duw vervolgens de schakelaar in. |
| De grastrimmer stopt tijdens het maaien. | <ul style="list-style-type: none">■ Het scherm is niet op de grastrimmer gemonteerd waardoor de snijdraad te lang is en de motor oververhit raakt.■ Er wordt zware snijdraad gebruikt.■ De motoras of trimmerkop zit vol met gras.■ De motor is overbelast.■ Het accupack of de grastrimmer is te heet.■ Het accupack is niet met het gereedschap verbonden.■ Het accupack is uitgeput. | <ul style="list-style-type: none">■ Verwijder het accupack en monteer de bescherming op de trimmer.■ Gebruik een standaard nylon snijdraad met een diameter van niet meer dan 2,0mm.■ Stop de grastrimmer, haal het accupack uit en verwijder het gras van de motoras en snijkop.■ Verwijder het gras van de snijkop. De motor werkt opnieuw zodra het gras is verwijderd. Beweeg de snijkop tijdens het maaien in en uit het gras en verwijder niet meer dan 20 cm gras in één maaibeurt.■ Laat het accupack of de trimmer afkoelen totdat de temperatuur lager dan 67°C is.■ Installeer het accupack opnieuw.■ Laad het accupack op. |

| PROBLEEM | OORZAAK | OPLOSSING |
|---|--|--|
| De draad wordt niet door de snijkop vrijgegeven. | <ul style="list-style-type: none"> ■ De motoras of trimmerkop zit vol met gras. ■ Er is onvoldoende draad op de spoel. ■ De snijkop is vuil. ■ Draad zit vast in de spoel. ■ De draad is te kort. | <ul style="list-style-type: none"> ■ Stop de grastrimmer, haal het accupack uit en verwijder het gras van de motoras en snijkop. ■ Verwijder de accu en vervang de snijdraad volgens de sectie "DE DRAAD VERVANGEN" in deze handleiding. ■ Verwijder het accupack en maak de spoel, vastzetting en basis schoon. ■ Verwijder de accu en verwijder de snijdraad van de spoel en wikkel op, volgens de sectie "DE DRAAD VERVANGEN" in deze handleiding. ■ Verwijder het accupack en trek aan de draden terwijl de aantikknop afwisselen wordt ingeduwd en losgelaten. |
| Gras wordt om de snijkop en motorbehuizing gewikkeld. | <ul style="list-style-type: none"> ■ Lang gras wordt op grondniveau gemaaid. | <ul style="list-style-type: none"> ■ Maai lang gras van boven naar onder en verwijder niet meer dan 20cm per maaibeurt om omwikkeling te voorkomen. |
| Draad wordt niet goed afgeknipt. | <ul style="list-style-type: none"> ■ Het mes voor het snijden van de draad op de rand van het scherm is bot. | <ul style="list-style-type: none"> ■ Slijp het mes met behulp van een vijl of vervang het door een nieuwe. |

GARANTIE

EGO GARANTIEBELEID

Bezoek alstublieft de website egopowerplus.com voor de volledige voorwaarden van het EGO garantiebeleid.

LÆS ALLE ANVISNINGER!



LÆS BRUGERVEJLEDNINGEN

⚠ ADVARSEL: Resterende risiko! Folk med elektroniske anordninger, såsom pacemakere, bør spørge deres læge(r) til råds, før de bruger dette produkt. Betjening af elektrisk udstyr i umiddelbar nærhed af et hjerte pacemaker kan forårsage forstyrrelser eller svigt af pacemakeren.

DK



Sikkerhed Alert



Bær beskyttelsesbriller - bær altid beskyttelsesbriller eller sikkerhedsbriller med side skjolde og en fuld ansigtsskærm, når du betjener dette produkt.



Brug høreværn - brug altid høreværn, når dette produkt bruges.



Brug hovedbeskyttelse - bær en godkendt sikkerhedshjelm til at beskytte dit hoved.



Montér ikke runde skæreknive



Bredde - græstrimmerens maks. klippebredde



Sørg for, at andre mennesker og kæledyr står mindst 15 m væk fra græstrimmeren, når den er i brug.



Dette produkt er i overensstemmelse med gældende EU-direktiver.



Elektriske affaldsprodukter må ikke bortskaffes sammen med husholdningsaffald. Tag det til en godkendt genbrugsplads.

V Spænding

.../min Per minut

kg Kg

SIKKERHEDSSYMBOLER

⚠ ADVARSEL: Når elværktøjer bruges, er der altid en risiko for at genstande slynges ind i øjnene, som kan føre til alvorlige øjenskader. Inden du begynder elværktøj drift, altid bære beskyttelsesbriller eller sikkerhedsbriller med side skjolde og en fuld ansigtsmaske når det er nødvendigt. Vi anbefaler en Wide Vision Safety Maske til brug over briller eller standard sikkerhedsbriller med sideskærme.



For at mindske risikoen for skader skal brugeren læse brugsanvisningen.



Benyt sikkerhedsfodtøj - benyt skridsikkert sikkerhedsfodtøj, når du bruger dette udstyr.



Brug beskytteshandsker - beskyt dine hænder med handsker, når du håndterer kniven eller skærmen til kniven.



Pas på tilbageslag fra savklingen - advar brugeren om faren for ryk i kniven.



Diameter - diameteren af nylontrimmersnoren



Genstande, der udslynges kan rikochettere og resultere i personskade eller skade på ejendom. Sørg for, at andre personer og kæledyr er mindst 15 m væk fra buskrydderen, når den er i brug.



Må ikke bruges i regn og må ikke efterlades udenfor i regnvejr.



Dette produkt overholder gældende britisk lovgivning.



Garanteret lydniveau. Støjemission til miljøet opfylder EF-direktivet.

n_0

Hastighed uden belastning-
Rotationshastighed, uden belastning



Direct Current

SPECIFIKATIONER

| | | |
|--|----------------------------------|--|
| Spænding | 56 V --- | |
| Hastighed ubelastet | Høj: 6500 /min Lav: 5200 /min | |
| Trimmemekanisme | Fjederhoved | |
| Type trimmersnor | 2,0mm Nylon twist linje | |
| Trimmebredde | 33 cm | |
| Anbefalet driftstemperatur | 0°C-40°C | |
| Anbefalet opbevaringstemperatur | -20°C-70°C | |
| Vægt (uden batteripakke) | 2,76 kg | |
| Målt lydeffektniveau L_{WA} | 92,1 dB(A) K=1,6 dB(A) | |
| Maksimal lydtryk ved brugerens øre L_{PA} | 72,6 dB(A) K=2,5 dB(A) | |
| Garanteret lydeffektniveau L_{WA} (målt i henhold til direktiv 2000/14/EF) | 94 dB(A) | |
| Vibration a_h | Hjælpehåndtag | 3,3 m/s ² K=0,9 m/s ² |
| | Bageste håndtag | 1,9 m/s ² K=1,5 m/s ² |

- Den samlede værdi af angivne vibrationer er målt i overensstemmelse med en standardiseret prøvningsmetode og kan anvendes til at sammenligne et værktøj med et andet
- Den samlede angivne værdi for vibrationer kan også anvendes ved en foreløbig vurdering af eksponeringen.

BEMÆRK: Udsendelsen af vibrationer ved faktisk brug af elværktøjet kan afvige fra den angivne værdi, der hvor værktøjet anvendes. For at beskytte operatøren, bør vedkommende bære handsker og høreværn under de faktiske brugsbetingelser.

PAKKELISTE (Fig. A1)

BESKRIVELSE

KEND DIN GRÆSTRIMMER (fig. A1)

- startknap
- bageste håndtag
- låsehåndtag
- kontakt til hastighedsregulering
- blød manchete

- justérbart forreste hjælpehåndtag
- fjederhoved (trimmerhoved)
- fjederknop
- kniv til afkortning af snor
- kappe
- frigørelsesmekanisme
- elektriske kontakter
- spærre
- udløserknap til batteri

MONTERING

SÅDAN FOLDES SKAFET UD

⚠ ADVARSEL: Hold ikke skaffet i samlingerne, da dine fingre og hænder kan komme i klemme.

⚠ ADVARSEL: Trimmeren må ikke tændes, før skaffet er låst fast. Fold forsigtigt skaffet ud, sæt kablet i skaffet og lås det fast med to skruer med den medfølgende skruenøgle (Fig. B1 & B2).

MONTERING AF KAPPE

Flugt kappens monteringshuller med enhedens huller; sæt derefter kappen fast på skaffets nederkant med de to skruer. Sørg for, at kappen sidder som på fig. C. Hvis monteringen gøres omvendt kan det forårsage stor fare!

MONTERING OG JUSTERING AF FORRESTE HJÆLPEHÅNDTAG

Skub forreste hjælpehåndtag på skaffet (fig. E), sæt derefter låseblokken i rillen på håndtaget (fig. F), isæt låsepalen, lås dem med vingemøtrikken (fig. G). Rækkefølgen ses i fig. D. Endelig justeres hjælpehåndtagets stilling, så din forreste arm er strakt, når du bruger trimmeren (fig. H), og lås derefter grebet på låsepalen (fig. I).

Beskrivelse af dele på fig. D og H, se nedenfor:

| | | | |
|-----|---------------|-----|----------------|
| D-1 | Hjælpehåndtag | D-4 | Vingemøtrik |
| D-2 | Låsepal | H-1 | Blød manchete |
| D-3 | Låseblok | H-2 | Advarselsmærke |

BEMÆRK: Hjælpehåndtaget skal vende, så det peger opad mod toppen af håndtaget.

⚠ ADVARSEL: Fastgør kun hjælpehåndtaget foran den bløde manchete på akslen.

⚠ ADVARSEL: Værktøjet kan ikke bruges uden solid fastgørelse af hjælpehåndtaget.

DK

BETJENING

⚠ ADVARSEL: Selvom du kender dette produkt, så bliv ikke skodesløs. Husk, at skodesløshed i en brøkdæl af et sekund kan forvolde betydelig personskade.

⚠ ADVARSEL: Bær altid beskyttelsesbriller med sidebeskyttelse. Sammen med høreværn. Uden disse kan man blive ramt af genstande, der kastes ind i øjnene eller forårsager andre alvorlige skader.

⚠ ADVARSEL: Anvend ikke påmonteringer eller tilbehør, der ikke anbefales af fabrikanten af dette produkt. Brug af påmonteringer eller tilbehør, der ikke anbefales, kan forårsage alvorlig personskade.

⚠ ADVARSEL: Brug kun din græstrimmer sammen med passende trimmersnor til at trimme græs og lignende.

Du kan bruge dette produkt til de formål, der er nævnt nedenfor:

Trimning: anvendes til at fjerne græs og ukrudt op mod vægge, hegn, træer og skel.

Klipning: anvendes til at klippe græs, der er svært at nå med en almindelig plæneklipper.

BEMÆRK: Værktøjet skal kun bruges til det formål, det er beregnet til. Enhver anden anvendelse, f.eks. kantrimning, anses for at være et tilfælde af misbrug

PÅSÆTNING / AFTAGNING BATTERIPAKKEN

Fuld opladning før første brug.

Produktet må kun bruges med batteripakkerne og opladerne, der står på listen i fig. A2

Påsætning

Flugt batteriets ribber med monteringsrillerne, og tryk batteripakken ned, indtil du hører et „klik“. (fig. J)

Aftagning

Tryk på knappen til batteriudløseren, og træk batteripakken ud. Se fig. K.

SÅDAN HOLDES GRÆSTRIMMEREN

⚠ ADVARSEL: Bær rigtig påklædning for at mindske risikoen for skader, når du betjener dette værktøj. Bær ikke løst tøj eller smykker. Bær øjen- og øre- / høreværn. Bær kraftige, lange bukser, støvler og handsker. Gå ikke i korte bukser, sandaler eller på bare fødder.

Før betjening: Hold trimmeren med begge hænder; den ene hånd på det bageste håndtag og den anden på det forreste hjælpehåndtag. Armen skal være strakt (fig. L).

Kontrollér så, at du har et godt fodfæste, er i balance og står i korrekt trimmeafstand uden at være fremadlænet.

START / STOP AF GRÆSTRIMMER

Start

Tryk ned på låsehåndtaget og hold det i denne stilling. Tryk på startknappen for at tænde græstrimmeren. Se fig. M.

Stop

Slip låsehåndtag og startknop.

BEMÆRK: Motoren har to trimmehastigheder: Stilling "1" er laveste hastighed, og stilling "2" er højeste hastighed. Se fig. M. Sæt hastighedsknappen på den egnede hastighed før trimning.

Beskrivelse af dele på fig. M, se nedenfor:

| | |
|-----|------------|
| M-1 | Stilling 1 |
| M-2 | Stilling 2 |

⚠ ADVARSEL: Fjern altid batteripakken fra græstrimmeren under pauser, og når arbejdet er slut.

BRUG AF GRÆSTRIMMER

⚠ ADVARSEL: For at undgå alvorlig personskade bæres altid beskyttelsesbriller eller sikkerhedsbriller, når denne enhed betjenes. Brug en ansigtsmaske eller støvmaske, hvor der er støvet.

Ryd området, hvor der skal trimmes, før hver brug. Fjern alle genstande, såsom sten, glasskår, søm, tråd, eller linje, der kan slynges eller blive viklet ind i trimmerdelen. Få børn, tilskuere og kæledyr væk fra området. Hold alle børn, omkringstående og kæledyr mindst 15m væk. Tilskuere kan stadig være i fare for at blive ramt af genstande, der slynges ud. Omkringstående bør opfordres til at bære øjenbeskyttelse. Hvis nogen nærmer sig, så stop straks motoren og trimmerdelen.

Før hver anvendelse undersøges for skader / slidte dele

Tjek fjederhoved, kappe og fronthjælpehåndtag, og udskift de dele, der er revnede, skæve, bøjed eller beskadigede på nogen måde.

Snorkniven på kanten af kappen bliver med tiden sløv. Det anbefales regelmæssigt at slibe den med en fil eller udskifte den med en ny kniv.

⚠ ADVARSEL: Brug altid handsker ved montering af kappe eller ved slibning eller udskiftning af kniven. Vær forsigtig med kniven på kappen, og beskyt din hånd mod at blive skåret.

Efter hver brug rengøres trimmeren.

⚠ FORSIGTIG: Forhindringer i ventilationsåbningerne forhindrer luften i at komme ind i motorhuset og forårsager overophedning eller beskadigelse af motoren.

- Brug kun mild sæbe og en fugtig klud til at rengøre værktøjet. Lad aldrig væsker komme ind i værktøjet, nedsænk det aldrig i nogen form for væske.
- Hold altid lufthuller i motorhuset og skaffet fri for snavs og skidt

⚠ ADVARSEL: Brug aldrig vand til rengøring af din trimmer. Undgå at bruge opløsningsmidler ved rengøring af plastdele. De fleste plastmaterialer risikerer at blive ødelagt ved brug af forskellige typer af alment tilgængelige opløsningsmidler. Brug rene klude til at fjerne snavs, støv, olie, fedt osv.

JUSTERING AF TRIMMERSNORENS LÆNGDE

Fjederhovedet giver operatøren mulighed for at frigive mere trimmersnor uden at stoppe motoren. Efterhånden som snoren bliver flosset eller slidt, kan man frigive ekstra snor ved at trykke fjederknoppen let mod jorden, mens trimmeren kører (Se fig. N).

BEMÆRK: Frigivelse af snor bliver vanskeligere, når trimmersnoren bliver kortere.

⚠ ADVARSEL: Du må ikke fjerne snorkniven eller ændre på den enhed, hvor den sidder. For lang snor vil få motoren til at overophede og kan give i alvorlige personskader.

UDSKIFTNING AF SNOR

BEMÆRK: Brug altid den anbefalede klippetrad af nylonmed en diameter på højst 2,0 mm. Brug af trade med anden diameter kan medføre, at buskrydderen overopheder eller beskadiges.

⚠ ADVARSEL: Brug aldrig metalforstærket snor, ståltråd, reb etc. Disse kan brække af og blive farlige projektiler.

Trimmersnoren kan udskiftes på 2 måder:

1. Spol ny snor på spolen.
2. Isæt en fuld spole (AS1302, om nødvendigt, fås hos forhandler).

Spol ny snor på spolen.

Tryk på de to løsetappe nederst på spolen, og træk spoleholderen ud (fig. O). Skær ca. 5m trimmersnor af. Fold snoren, og spol den på spolen. Se fig. P og Q. Derefter puttes snorens ender gennem de to modsatte hak i spolen (fig. R). Spolen sættes i holderen ved at flugte hakkene med

holderens øjer (fig. T). Til sidst flugtes holderens riller med tappene på spolens kant, og holderen trykkes lige ned. Sørg for, at holderen klikker på plads (fig. S).

BEMÆRK: Rengør altid spoleholder, spole og spolekant, før trimmerhovedet monteres igen. Undersøg spoleholder, spole og spolekant for slid. Hvis det er nødvendigt, udskiftes slidte dele.

BEMÆRK: Hvis man spoler snoren op i den forkerte retning, vil trimmerhovedet ikke fungere korrekt.

Installér en fuld spole

Tryk på de to løsetappe nederst på spolen, og træk spoleholderen ud (fig. O). Sæt derefter en fuld spole i holderen. Dens hak skal flugte med holderens øjer (fig. T). Til sidst flugtes holderens riller med tappene på spolens kant, og holderen trykkes lige ned. Sørg for, at holderen klikker på plads (fig. S).

Beskrivelse af dele på fig. S og T, se nedenfor:

| | | | |
|-----|-------|-----|-----|
| S-1 | Tap | T-1 | Hak |
| S-2 | Rille | T-2 | Øje |

BEMÆRK: Sørg for, at tappene på spolens kant klikker på plads; ellers vil spolen falde ud under arbejdet.

VEDLIGEHOLDELSE

⚠ ADVARSEL: Ved service må der kun bruges originale reservedele. Efterse og vedligehold apparatet regelmæssigt. For at sikre sikkerhed og pålidelighed skal alle reparationer udføres af en kvalificeret servicetekniker.

⚠ ADVARSEL: Batteridrevne værktøjer behøver ikke at være tilsluttet en stikkontakt, derfor er de altid driftsklar. Tag ekstra forholdsregler og udvis forsigtighed, når du udfører vedligeholdelse, service eller skal ændre trimmertilbehør eller andre påmonteringer.

⚠ ADVARSEL: For at undgå alvorlig personskade fjernes batteripakken fra værktøjet før service, rengøring, udskiftning af påmonteringer, eller før der fjernes materiale fra apparatet.

RENGØRING AF APPARATET

- Rengør apparatet med en fugtig klud med et mildt rengøringsmiddel.
- Brug ikke stærke rengøringsmidler på plasthus eller håndtaget. De kan blive beskadiget af visse aromatiske olier, såsom fyr og citron, og opløsningsmidler såsom petroleum. Fugt kan også give elektrisk stød. Tør fugt af med en blød tør klud.

DK

- Brug en lille børste eller luftaftrækket på en lille støvsugerbørste til at rengøre lufthullerne for forhindringer på det bageste hus.

OPBEVARING AF APPARATET

- Fjern batteripakken fra græstrimmeren, når den ikke er i brug. Rengør værktøjet grundigt, før det lægges væk.
- Opbevar apparatet på et tørt og godt ventileret sted, der er låst og utilgængeligt for børn. Opbevar ikke apparatet på eller ved siden af gødning, benzin eller andre kemikalier.

DK

Beskyttelse af miljøet



Elektrisk udstyr, batterioplader og batterier må ikke smides ud sammen med almindelig husholdningsaffald! Tag dette produkt til en autoriseret genbrugsplads, og sørg for at det sendes til genbrug. Elektriske værktøjer skal returneres til et miljøkompatibelt genvindingsanlæg.

FEJLFINDING

| PROBLEM | ÅRSAG | LØSNING |
|--|---|--|
| Græstrimmer starter ikke. | <ul style="list-style-type: none"> ■ Batteripakken er ikke sat på trimmeren. ■ Ingen elektrisk kontakt mellem trimmer og batteri. ■ Batteripakken er afladet. ■ Låsehåndtag og startknappen er ikke blevet trykket ned samtidigt. | <ul style="list-style-type: none"> ■ Sæt batteripakken på trimmeren. ■ Fjern batteriet, kontrollér kontakter, og sæt batteripakken på igen. ■ Oplad batteripakken. ■ Tryk ned låsehåndtaget ned og hold det, tryk derefter på startknappen for at starte græstrimmeren. |
| Græstrimmer stopper, mens der trimmes. | <ul style="list-style-type: none"> ■ Kappen er ikke monteret på trimmeren, hvilket resulterer i en alt for lang trimmersnor og overbelastning af motoren. ■ Der anvendes kraftig trimmersnor. ■ Motoraksel eller trimmerhoved er fyldt med græs. ■ Motoren er overbelastet. ■ Batteripakke eller græstrimmer er for varm. ■ Batteripakken er taget af værktøjet. ■ Batteripakken er afladet. | <ul style="list-style-type: none"> ■ Fjern batteripakken, og sæt kappen på trimmeren. ■ Brug kun med nylonsnor med en diameter på 2,0mm eller mindre. ■ Stop trimmeren, fjern batteriet, og fjern græs fra motoraksel og trimmerhoved. ■ Løft trimmerhovedet op fra græsset. Motoren vil begynde at arbejde igen, så snart belastningen er fjernet. Når der trimmes, flyttes trimmerhovedet ind og ud af græsset, der skal trimmes. Der bør højst fjernes 20cm ad gangen i et enkelt snit. ■ Lad batteripakke eller trimmer køle indtil temperaturen falder til under 67°C. ■ Sæt batteripakken på plads igen. ■ Oplad batteripakken. |
| Trimmerhoved rykker ikke snoren frem. | <ul style="list-style-type: none"> ■ Motoraksel eller trimmerhoved er fyldt med græs. ■ Der er ikke tilstrækkelig snor på spolen. ■ Trimmerhovedet er snavset. ■ Snoren er filtret på spolen. ■ Snoren er for kort. | <ul style="list-style-type: none"> ■ Stop trimmeren, fjern batteriet, og fjern græs fra motoraksel og trimmerhoved. ■ Fjern batteriet, og udskift snoren; se afsnittet "UDSKIFTNING AF SNOR" i denne vejledning. ■ Fjern batteriet, og rens spolen, spoleholderen og spolekant. ■ Fjern batteriet, fjern snoren fra spolen og spolen på igen; se afsnittet "UDSKIFTNING AF SNOR" i denne vejledning. ■ Fjern batteriet og træk i snorene, mens fjederknoppen skiftevis trykkes ned og slippes. |

DK

| PROBLEM | ÅRSAG | LØSNING |
|---|--|--|
| Græs er snoet omkring trimmerhoved og motorhus. | <ul style="list-style-type: none">▪ Trimming af højt græs i jordhøjde. | <ul style="list-style-type: none">▪ Klip højt græs oppefra og ned, og tag ikke mere end 20cm hver gang for at forhindre, at græsset snor sig fast. |
| Snoren skærer ikke godt. | <ul style="list-style-type: none">▪ Snorkniven på kanten af kappen er blevet sløv. | <ul style="list-style-type: none">▪ Slib kniven med en fil eller skift den ud med en ny kniv. |

GARANTI

DK

EGO's GARANTIPOLITIK

Besøg venligst hjemmesiden egopowerplus.com for fuldstændige vilkår og betingelser for EGO's garantipolitik.

LÄS IGENOM ALLA INSTRUKTIONER!



LÄS IGENOM BRUKSANVISNINGEN

⚠ VARNING: Dolda risker! Personer med elektroniska enheter såsom pacemaker skall rådfråga sin läkare innan denna produkt används. Användning av elektronisk utrustning i närheten av en pacemaker kan orsaka störningar eller fel på pacemakern.



Säkerhetslarm



Använd skyddsglasögon! skyddsglasögon eller säkerhetsglasögon med sidoskydd och en full ansiktsmask när denna produkt används.



Använd hörselskydd när denna produkt används.



Använd skyddshjälm godkänd skyddshjälm för att skydda huvudet.



Montera inte runda skärblad.



Max. skärbredd för kantrimmern



Se till att andra personer och husdjur befinner sig minst 15 m från trådtrimmern när den används.



Denna produkt är i enlighet med gällande EG-direktiv.



Förbrukade elektriska produkter får inte kastas i hushållssoporna. Lämna in dem till en auktoriserad återvinningsstation.

V Spänning

.../min Per minut

kg Kilogram

SÄKERHETSSYMBOLER

⚠ VARNING: Användning av något elverktyg kan resultera i att främmande föremål kastas in i dina ögon vilket kan resultera i allvarliga ögonskador. Innan elverktyget börjar användas skall alltid skyddsglasögon eller skyddsglasögon med sidoskydd och full ansiktsskydd användas när så behövs. Vi rekommenderar att en ansiktsmask med brett synfält används ovanpå glasögonen eller standard skyddsglasögon med sidoskydd.



För att minska risken för skador måste användaren läsa bruksanvisningen.



Använd skyddsskor vid användning av denna utrustning.



Använd skyddshandskar dina händer med handskar när bladen eller bladskyddet hanteras.



Se upp med klingans slungkraft för faran med maskinens kastbenägenhet.



Diametern för skärlinan av nylon



Utslungade föremål kan rikoschettera och leda till skador på personer eller egendom. Se till att övriga personer och husdjur håller ett säkert avstånd från röjsågen när den används.



Använd den inte vid regn och lämna den inte utomhus om det regnar.



Denna produkt uppfyller tillämplig lagstiftning i Storbritannien.



Garanterad ljudeffektivitet. Bulleremissioner för omgivningen enligt EU-direktiv.

n_b

Tomgångshastighet-Rotationshastighet utan belastning



Likström

SE

SPECIFIKATIONER

| | | |
|--|----------------------------------|--|
| Spänning | 56 V --- | |
| Obelastad hastighet | Hög: 6500 /min Låg: 5200 /min | |
| Skärmekanism | Trådhuvid | |
| Trimmertrådens typ | 2,0mm Nylon twist linje | |
| Klippbredd | 33 cm | |
| Rekommenderad drifttemperatur | 0°C-40°C | |
| Rekommenderad förvaringstemperatur | -20°C-70°C | |
| Vikt (utan batteripack) | 2,76 kg | |
| Uppmätt ljudeffektnivå L_{WA} | 92,1 dB(A) K=1,6 dB(A) | |
| Maximal ljudtrycksnivå vid operatörens öra L_{PA} | 72,6 dB(A) K=2,5 dB(A) | |
| Garanterad ljudeffektnivå L_{WA} (uppmätt i enlighet med 2000/14/EC) | 94 dB(A) | |
| Vibration a_n | Främre handtag | 3,3 m/s ² K=0,9 m/s ² |
| | Bakre handtag | 1,9 m/s ² K=1,5 m/s ² |

- Det angivna totalvärdet för vibration är uppmätt enligt standardprovningmetoden och kan användas för att jämföra olika verktyg;
- Det angivna totalvärdet för vibration kan även användas vid preliminär utvärdering av exponering.

OBS! Den verkliga vibrationen under arbete med det eldrivna verktyget kan avvika från det angivna värdet. Användaren bör ha på sig lämpliga handskar och hörselskydd för de aktuella arbetsförhållandena för att skydda sig.

LEVERANSLISTA (Bild A1)

BESKRIVNING

LÄRA KÄNNA DIN TRÅDTRIMMER (bild A1)

1. Avtryckare
2. Bakre handtag
3. Upplåsningsreglage
4. Hastighetsreglage
5. Mjuk hylsa
6. Justerbart främre handtag

7. Trådhuvid (skärhuvid)
8. Stötknopp
9. Skärblad för trådkapning
10. Skydd
11. Utskjutningsmekanism
12. Elektriska kontakter
13. Spärr
14. Frigöringsknapp för batteriet

MONTERING

VIKA UT SKAFKET

⚠ VARNING! Håll inte i skafket vid skarvarna för att undvika att dina händer eller fingrar kläms.

⚠ VARNING! Försök inte att starta trimmern innan skafket har låsts. Vik ut skafket försiktigt för att skydda kabeln inuti skafket och lås den med två skruvar med den medföljande skruvnyckeln (bild B1 och B2).

MONTERA SKYDDET

Rikta in skyddets fästhål med monteringshålen och lås sedan fast skyddet på axelns bas med de två skruvarna. Säkerställ att skyddet är korrekt fastsatt enligt bild C. En omvänd fastsättning är mycket farligt!

MONTERA OCH JUSTERA DET FRÄME HANDTAGET

Tryck in det främre handtaget på axeln (bild E), för sedan in klämblocket i handtaget (bild F), montera låsstäng och lås fast dem på plats med vingmuttern (bild G). Sekvensen visas i bild D. Justera slutligen det främre handtagets position så att din främre arm är rak när du använder trimmern (bild H) och lås sedan fast låsstäng med spaken (bild I).

Bild D och H. Se nedan för beskrivning av delar:

| | | | |
|-----|----------------|-----|-----------------|
| D-1 | Främre handtag | D-4 | Vingmutter |
| D-2 | Låsstång | H-1 | Mjuk hylsa |
| D-3 | Klämblock | H-2 | Varningsetikett |

OBS! Det främre handtaget ska vridas uppåt så att det riktas mot handtagets övre del.

⚠ VARNING! Fäst endast det främre handtaget framför den mjuka hylsan på axeln.

⚠ VARNING! Verktyget kan inte användas utan att det främre handtaget är korrekt fastsatt.

ANVÄNDNING

SE

⚠️ VARNING! Var aldrig vårdslös, även om du är väl förtrogen med verktyget. Glöm inte att en bråkdel av en sekund av ouppmärksamhet är tillräcklig för att orsaka svåra personskador

⚠️ VARNING! Ha alltid på dig skyddsglasögon med sidoskydd och även hörselskydd. Underlåtenhet att följa denna regel kan leda till ögonskador pga utslungade föremål och andra svåra personskador.

⚠️ VARNING! Använd inga detaljer eller tillbehör som inte rekommenderas av tillverkaren av denna produkt. Användning av ej rekommenderade detaljer eller tillbehör kan leda till svåra personskador.

⚠️ VARNING! Grässtrimmern får endast användas med en lämplig trimmertråd som endast är avsedd för gräs och dylikt.

Du kan använda denna produkt för de tillämpningar som listas nedan:

Trimning: Används för att ta bort gräs och ogräs mot väggar, staket, träd och kanter.

Beskärning: Används för att kapa gräs som är svårt att komma åt med en vanliga gräsklippare.

OBS! Verktyget får endast användas för sitt avsedda ändamål. All annan användning, t.ex. häcktrimning, anses vara en felaktig användning.

MONTERA/TA BORT PATERIPACKET

Ladda fullt före första användning.

Använd endast med de batteripack och laddare som listas i bild A2.

Montera

Rikta in listerna på batteriet med monteringsspåren och tryck sedan ner batteripacket tills du hör ett "klick". (bild J)

Ta bort

Tryck in frigöringsknappen för batteriet och dra sedan ut batteripacket enligt bild K.

HÅLLA TRÅDTRIMMERN

⚠️ VARNING! Använd korrekta kläder för att minska risken för personskador vid användning av detta verktyg. Använd inte löst sittande kläder eller smycken. Använd ögon- och öron-/hörselskydd. Använd rejäla långbyxor, skyddsskor och handskar. Använd inte shorts, sandaler eller gå barfota.

Före användning, håll trimmern med båda händerna, ena

handen på det bakre handtaget och den andra på det främre handtaget som ska vara rakt (bild L). Se sedan till att du har ett bra fotfäste och ett lämpligt skäravstånd utan att operatören behöver böja sig.

STARTA/STOPPA TRÅDTRIMMERN

Starta

Tryck in startspärren och håll in den i det läget. Tryck på avtryckaren igen för att slå på trådtrimmern enligt bild M.

Stoppa

Släpp upp startspärren och avtryckaren.

OBS! Motorn har två skärhastigheter, Position "1" för lägre hastighet och Position "2" för högre hastighet (se bild M). Tryck bara hastighetsreglaget till önskat läge under skärning.

Bild M. Se nedan för beskrivning av delar:

| | |
|-----|------------|
| M-1 | Position 1 |
| M-2 | Position 2 |

⚠️ VARNING! Ta alltid ut batteripacket ur trådtrimmern vid arbetspauser och efter att du har jobbat klart.

ANVÄNDA TRÅDTRIMMERN

⚠️ VARNING! Använd alltid skyddsglasögon eller skyddsglasögon med sidoskydd under arbetet med verktyget. Använd även ett ansiktsskydd eller skyddsmask i dammiga miljöer.

Städa arbetsområdet före varje användning. Avlägsna alla föremål såsom stenar, glasskärvor, spikar, metalltråd eller snöre som kan slungas ut eller fastna i trimmerhuvudet. Håll barn, obehöriga och husdjur borta. Håll dem på minst 15m avstånd; risk pga utslungade föremål kan förekomma. Det rekommenderas att närvarande människor ska ha på sig skyddsglasögon. Om någon närmar sig arbetsområdet, stäng omedelbart av motorn och trimmerhuvudet.

Kontrollera maskinen för skada/nötta detaljer före varje användning

Kontrollera trimmerhuvudet, skyddet och det främre hjälphandtaget och byt ut spruckna, skeva, böjda eller annars skadade detaljer.

Trådkniven på skyddets kant kan bli slö med tiden. Det rekommenderas att slipa den periodiskt eller byta ut den mot en ny kniv.

⚠️ VARNING! Ha alltid på dig skyddshandskar vid montering av skyddet eller slipning eller byte av kniven. Var försiktig med kniven på skyddet och undvik skärsår på händerna.

Rengör trimmern efter varje användning.

⚠ FÖRSIKTIGHET! Tilltappningar i luftöppningarna hindrar luftflöde i motorhöljet och kan leda till överhettning av eller skada på motorn.

Verktyget får endast rengöras med mild tvål och en fuktig trasa. Ingen vätska får tränga in i verktyget; ingen detalj av verktyget får placeras i någon vätska.

- Se alltid till att luftöppningarna i skaffet är fria från skräp.

⚠ VARNING! Använd aldrig vatten för att rengöra din trimmer. Använd inte lösningsmedel när du rengör plastdelarna. De flesta plaster är känsliga för skador från olika typer av kommersiella lösningsmedel. Använd rena trasor för att ta bort smuts, damm, olja, fett osv.

JUSTERA SKÄRTRÅDENS LÄNGD

Stöthuvudet möjliggör operatören att mata fram mer skärtråd utan att stänga av motorn. Om tråden blir fransig eller nött kan ny tråd matas fram genom att lätt knacka stöthuvudet mot marken under arbetet med trimmern (se bild N).

OBS! Tråden blir svårare att mata ut i takt med att trimmertråden blir kortare.

⚠ VARNING! Försök aldrig att avlägsna eller modifiera trädkniven. För lång trimmertråd orsakar överhettning av motorn och kan leda till svåra personskador.

BYTA UT TRÅDEN

OBS! Använd alltid rekommenderade nylontråd med en diameter som inte överstiger 2,0 mm. Om en annan tråd än den som anges används kan rojsagen överhettas eller skadas.

⚠ VARNING! Använd aldrig metallförstärkta trådar, kablar, rep osv. Dessa kan gå av och bli farliga projektiler.

Det finns två olika metoder för att byta ut skärtråden:

1. Linda spolen med ny tråd.
2. Montera en förlindad spole (AS1302, hittas hos din återförsäljare om nödvändigt).

Linda spolen med ny tråd.

Tryck in de två flikarna på spolens bas och dra ut spolhållaren (bild O). Ta fram cirka 5 meter ny trimmertråd. Linda in det i spolen enligt bild P och Q. Placera sedan trådändarna genom de två motsatta skårorna i spolen (bild R). Placera sedan spolen i dess hållare med

skårorna riktade mot hållarens trådhål (bild T). Rikta slutligen in hållarens hål med flikarna på spolens bas och tryck ner hållaren. Se till att den knäpps på plats (bild S).

OBS! Rengör alltid spolhållaren, spolen och spolens bas före montering av trimmerhuvudet. Kontrollera spolhållaren, spolen och spolens bas efter slitage. Byt ut de slitna delarna om nödvändigt.

OBS! Om tråden inte lindas in i riktningen som visas kommer trimmerhuvudet att fungera felaktigt.

Montera en förlindad spole

Tryck in de två flikarna på spolens bas och dra ut spolhållaren (bild O). Placera sedan den förlindade spolen i hållaren med skårorna riktade mot hållarens trådhål (bild T). Rikta slutligen in hållarens hål med flikarna på spolens bas och tryck ner hållaren. Se till att den knäpps på plats (bild S).

Bild S och T. Se nedan för beskrivning av delar:

| | | | |
|-----|------|-----|-------|
| S-1 | Flik | T-1 | Skåra |
| S-2 | Spår | T-2 | Hål |

OBS! Se till att flikarna på spolens bas knäpps på plats annars kommer spolen att lossna vid användning.

UNDERHÅLL

⚠ VARNING! Använd endast identiska reservdelar vid service. Användning av andra detaljer kan leda till risker eller skada på produkten. Granska maskinen och utför underhåll regelbundet. Alla reparationer bör utföras av en kvalificerad servicetekniker för att upprätthålla säkerhet och driftssäkerhet.

⚠ VARNING! Batteridrivna verktyg behöver inte anslutas till ett uttag; därför är de alltid användningsklara. Var särskilt försiktig och noggrann vid underhåll eller service eller vid byte av skärenheten eller andra enheter för att förebygga svåra personskador.

⚠ VARNING! Ta ut batteripaketet ur verktyget före service, rengöring eller byte av tillbehör eller innan du rensar maskinen från avklippt material för att förebygga svåra personskador.

RENGÖRING AV MASKINEN

- Rengör maskinen med en fuktig trasa och mildt rengöringsmedel.

- Använd inga starka rengöringsmedel på plasthöljet eller handtaget. Dessa är känsliga mot vissa eteriska oljor såsom tall och citron samt lösningsmedel såsom fotogen. Även fukt kan medföra risk för elstöt. Torka av eventuell fukt med en mjuk, torr trasa.
- Rengör luftöppningarna i skaftet med hjälp av en liten borste eller utblås av en liten handdammsugare.

FÖRVARA ENHETEN

- Ta ut batteripacket ur grästrimmern när maskinen inte används. Rengör maskinen noggrant innan den ställs av.
- Förvara maskinen i ett torrt, väl ventilerat, låst eller högt beläget ställe, oåtkomligt för barn. Maskinen får inte förvaras på eller nära konstgödsel, bensen eller andra kemikalier.

Miljöskydd



Kasta inte elektrisk utrustning, använt batteri och laddare i hushållssoporna! Ta denna produkt till en auktoriserad återvinnare och gör den tillgänglig för separat insamling. Elektriska verktyg måste returneras till en miljöanpassad återvinningsanläggning.

SE

FELSÖKNING

| PROBLEM | ORSAK | ÅTGÄRD |
|--|--|--|
| Grästrimmern startar inte. | <ul style="list-style-type: none"> ■ Batteripacket är inte anslutet till grästrimmern ■ Elektrisk anslutning mellan trimmern och batteriet saknas. ■ Batteripacket är urladdat. ■ Säkring och avtryckaren är inte nedtryckta samtidigt. | <ul style="list-style-type: none"> ■ Anslut batteripacket till grästrimmern ■ Ta ut batteriet, kontrollera kontakter och sätt i batteripacket igen. ■ Ladda batteripacket ■ Håll säkringen nedtryckt och tryck sedan ner avtryckaren för att starta grästrimmern. |
| SE Grästrimmern stänger av sig under arbetet. | <ul style="list-style-type: none"> ■ Skyddet är inte monterat på trimmern vilket har lett till för lång trimmertråd och överbelastning av motorn. ■ För tjock trimmertråd används. ■ Gräs har fastnat på motorskaftet eller trimmerhuvudet. ■ Motorn är överbelastad. ■ Batteripacket eller trimmern är för varmt. ■ Batteripacket är inte anslutet till verktyget ■ Batteripacket är urladdat. | <ul style="list-style-type: none"> ■ Ta ut batteripacket och montera skyddet på trimmern. ■ Använd uteslutande trimmertråd av nylon med diameter på 2,0mm eller mindre. ■ Stäng av trimmern, ta ut batteriet och rensa motorskaftet och trimmerhuvudet från gräs. ■ Lyft upp trimmerhuvud från gräset. Motorn fortsätter att köra när belastningen avtar. Flytta trimmerhuvudet in i och ut ur gräset som ska klippas och klipp inte mer än 20cm i taget. ■ Låt batteripacket eller trimmern svalna ned tills temperaturen är under 67°C. ■ Anslut batteripacket igen. ■ Ladda batteripacket. |
| Trimmerhuvudet matar inte fram ny skärtråd. | <ul style="list-style-type: none"> ■ Gräs har fastnat på motorskaftet eller trimmerhuvudet ■ Tråden håller på att ta slut på spolen ■ Smutsigt trimmerhuvud ■ Tilltrasslad tråd på spolen ■ För kort tråd | <ul style="list-style-type: none"> ■ Stäng av trimmern, ta ut batteriet och rensa motorskaftet och trimmerhuvudet från gräs. ■ Ta ut batteriet och montera ny tråd enligt avsnittet "BYTE AV TRIMMERTRÅD" i bruksanvisningen. ■ Ta ut batteriet och rengör spolhållaren och spolsockeln. ■ Ta ut batteriet, ta av tråden från spolen och linda den på nytt; följ instruktionerna i avsnittet "BYTE AV TRIMMERTRÅD" i bruksanvisningen. ■ Ta ut batteriet och dra i trådarna medan du trycker ner och släpper stöthuvudet upprepade gånger |

| PROBLEM | ORSAK | ÅTGÄRD |
|--|--|--|
| Gräs fastnar i trimmerhuvudet och motorhöljet. | <ul style="list-style-type: none">■ Klippning av högt gräs vid marknivå. | <ul style="list-style-type: none">■ Klipp högt gräs i flera etapper, inte mer än 20cm i taget, för att undvika att gräs fastnar på maskinen. |
| Tråden klipper dåligt. | <ul style="list-style-type: none">■ Trådkniven på skyddets kant är slö. | <ul style="list-style-type: none">■ Slipa trådkniven med en fil eller byt ut den mot en ny kniv. |

GARANTI

GARANTIVILLKOREN AV EGO

Var god besök webbplatsen egopowerplus.com för att se de fullständiga garantivillkoren av EGO.

SE

LUE KAIKKI OHJEET!



LUE KÄYTTÖOPAS

VAROITUS: Jäännösriski! Henkilöiden, joilla on sydämentahdistin tai muu vastaava elektroninen laite, tulisi keskustella lääkärin kanssa ennen tämän tuotteen käyttöä. Sähkölaitteiden käyttö sydämentahdistimen lähetyksillä saattaa häiritä tahdistimen toimintaa tai aiheuttaa vakavan toimintahäiriön.



Turvallisuushälytys



Använd skyddsglasögon! Käytä aina suojalaseja, joissa on sivusuojat, ja koko kasvot peittävää suojaa, kun käytät laitetta.



Använd hörselskydd – Käytä aina kuulosuojaimia, kun käytät laitetta.



Käytä suojakypärää – Käytä hyväksyttyä suojakypärää suojataksesi pääsi.



Älä asenna siihen pyöreitä teriä.



Leveys – Siimaleikkurin maks. leikkuuleveys



Varmista, että muut ihmiset ja lemmikkieläimet ovat vähintään 15 m päässä siimaleikkurista, kun se on käytössä.



Tämä tuote vastaa sovellettavia EU-direktiivejä.



Vanhoja sähkölaitteita ei saa hävittää kotitalousjätteen mukana. Vie laite valtuutettuun kierrätyslaitokseen.

V Jännite

.../min per minuutti

kg Kilogramma

TURVALLISUUSYMBOLIT

VAROITUS: Minkä tahansa sähkötyökalun käyttö saattaa aiheuttaa vierasesineiden sinkoutumisen silmiin, mikä voi aiheuttaa vakavia silmävammoja. Käytä aina suojalaseja, joissa on sivusuojat, ja tarvittaessa koko kasvot peittävää suojaa, kun käytät sähkötyökaluja. Silmälasien päällä suosittelemme käytettäväksi suojamaskia, jossa on laaja näkökenttä, tai tavallisia suojalaseja, joissa on sivusuojat.



Käyttäjän on luettava käyttöopas loukkaantumisvaaran vähentämiseksi.



Käytä turvajalkineita – Käytä luistamattomia turvajalkineita varusteen käytön aikana.



Käytä suojakäsineitä – Käytä suojakäsineitä, kun käsittelet terää tai terän suojusta.



Varo terän työntövoimaa – Varoita käyttäjää terän työntövoiman vaarallisuudesta.



Halkaisija – Nailonleikkusuiman halkaisija



Sinkoutuvat esineet voivat kimmota ja aiheuttaa henkilö- tai omaisuusvahingon. Varmista, että muut ihmiset ja lemmikit ovat etäällä, kun pensasleikkuria käytetään.



Älä käytä sateella tai jätä ulos sateeseen.



Tämä tuote on Yhdistyneen kuningaskunnan lainsäädännön mukainen.



Taattu äänen tehotaso. Melupäästöt ympäristöön Euroopan yhteisen direktiivin mukaisesti.

n_0 Tyhjäkäyntinopeus-Pyörimisnopeus ilman kuormaa

== Tasavirta

MÄÄRITYKSET

| | | |
|--|---|--|
| Jännite | 56 V --- | |
| Tyhjäkäyntinopeus | Suuri: 6500 /min Alhainen: 5200 /min | |
| Leikkausmekanismi | Siimapää | |
| Leikkaussiiman tyyppi | 2,0mm Nylon kierreline | |
| Leikkausleveys | 33 cm | |
| Suosittelut käyttölämpötila | 0°C-40°C | |
| Suosittelut säilytyslämpötila | -20°C-70°C | |
| Paino (ilman akkua) | 2,76 kg | |
| Mitattu äänen tehotaso L_{WA} | 92,1 dB(A) K=1,6 dB(A) | |
| Suurin äänenpaineen taso käyttäjän korvien tasolla L_{PA} | 72,6 dB(A) K=2,5 dB(A) | |
| Taattu äänen tehotaso L_{WA} (mitattu 2000/14/EC:n mukaisesti) | 94 dB(A) | |
| Värinä a_n | Edessä oleva apukahva | 3,3 m/s ² K=0,9 m/s ² |
| | Takakahva | 1,9 m/s ² K=1,5 m/s ² |

- Ilmoitettu värinän kokonaisarvo on mitattu standardikoemenetelmän mukaan ja sitä voidaan käyttää verrattaessa työkaluja keskenään
- Ilmoitettua värinän kokonaisarvoa voidaan myös käyttää altistumisen ennakoarvioinnissa.

HUOMAA: Sähkötyökalun todellisen käytön aikana ilmenevä värinä voi erota työkalun käytölle ilmoitetusta arvosta. Käyttäjän suojelemiseksi on todellisissa käyttöolosuhteissa käytettävä käsineitä ja kuulosuojaimia.

PAKKAUSLUETTELO (Kuva A1)

KUVAUS

TUNNE SIIMALEIKKURISI (kuva A1)

1. Liipaisin
2. Takakahva
3. Lukituksenpoistokytin
4. Nopeudensäädin
5. Pehmeä kaulus
6. Säädettävä tukikahva

7. Siimapää
8. Siimansyöttöpainike
9. Siimaleikkurin terä
10. Suojus
11. Poistomekanismi
12. Sähköliitäntä
13. Salpa
14. Akun vapautuspainike

KOKOONPANO

VARREN AVAAMINEN

VAROITUS: Älä pidä vartta nivelten kohdalta, jotta kätesi tai sormesi eivät jää puristuksiin.

VAROITUS: Älä käynnistä trimmeriä ennen kuin varsi on lukittu. Avaa varsi varovasti ja varmista, että kaapeli on varren sisällä. Lukitse se kahdella ruuvilla käyttäen mukana tulevaa avainta (kuvat B1 ja B2).

SUOJUKSEN KIINNITTÄMINEN

Linjaa suojuksen kiinnitysaukot kokoonpanoaukkojen kanssa ja lukitse suojus sitten varren tyveen ruuvien avulla. Varmista, että suojus on paikallaan kuvien C mukaisesti, käänteinen kiinnitys aiheuttaa merkittävän vaaran!

EDESSÄ OLEVAN APUKAHVAN KIINNITYS JA SÄÄTÄMINEN

Työnnä edessä oleva apukahva varteen (kuva E) ja laita sitten kiristystuki kahva-aukkoon (kuva F), kiinnitä lukkosalko ja lukitse ne siipimutterilla (kuva G). Sarja kuvataan kuvassa D. Säädä lopuksi edessä olevan apukahvan asentoa, kunnes edessä oleva kätesi on suorassa, kun käytät leikkuria (kuva H) ja lukitse sitten lukkosalon vipu (kuva I).

Kuvien D ja H osien kuvaus alla:

| | | | |
|-----|-----------------------|-----|------------------|
| D-1 | Edessä oleva apukahva | D-4 | Siipimutteri |
| D-2 | Lukkosalko | H-1 | Pehmeä kaulus |
| D-3 | Kiristystuki | H-2 | Varoitusmerkintä |

HUOMAA: Edessä olevan apukahvan tulee osoittaa ylös kahvan yläosaa kohti.

VAROITUS: Kiinnitä edessä oleva apukahva vain varren pehmeän kauluksen eteen.

VAROITUS: Työkalua ei voi käyttää ilman, että edessä oleva apukahva on kiinnitetty turvallisesti.

KÄYTTÖ

VAROITUS: Älä anna perehdyneisyyden tuotteeseen saada sinua huolimattomaksi. Muista, että sekunnin murto-osa huolimattomuutta riittää aikaansaamaan vakavan henkilövahingon.

VAROITUS: Käytä aina suojalaseja sivusuojilla. Yhdessä kuulosuojaimien kanssa. Muussa tapauksessa silmiin voi lentää roskia ja muita mahdollisia vakavia vahinkoja tapahtua.

VAROITUS: Älä käytä lisäosia tai lisävarusteita, joita tuotteen valmistaja ei ole suositellut. Suosittelemattomien lisäosien tai lisävarusteiden käyttö voi aiheuttaa vakavan henkilövahingon.

VAROITUS: Käytä oikealla leikkuusiimalla varustettua trimmeriä vain ruohon ja vastaavan materiaalin leikkaamiseen.

Tätä laitetta voi käyttää seuraavassa kerrottuihin tarkoituksiin:

Trimmaus: käytetään nurmikon ja rikkaruohojen poistamiseen seinien, aitojen, puiden ja rajojen lähellä.

Leikkaaminen: käytetään sellaisen nurmikon leikkaamiseen, johon on vaikea päästä käsiksi perinteisellä ruohonleikkurilla.

HUOMAA: Laitetta tulee käyttää vain sille tarkoitettuun tarkoitukseen. Muunlainen käyttö, esimerkiksi pensaiden leikkuu, lasketaan väärinkäytöksi.

AKUN LIITTÄMINEN/POISTAMINEN

Lataa täyteen ennen ensimmäistä käyttökertaa.

Käytä vain kuvassa A2 lueteltujen akkujen ja latureiden kanssa.

Liittäminen

Aseta akun urat kiinnitysaukoihin ja paina akkua alas päin, kunnes kuulet naksahduksen. (kuva J)

Poistaminen

Paina akun vapautuspainiketta ja vedä akku ulos kuvan K osoittamalla tavalla.

OTE SIIMALEIKKURISTA

VAROITUS: Pukeudu asianmukaisesti, niin vähennät vammariskiä tätä laitetta käyttäessäsi. Älä käytä löysiä vaatteita tai koruja. Käytä silmä- ja kuulosuojaimia. Käytä paksuja, pitkiä housuja, kunnollisia jalkineita ja hansikkaita. Älä käytä lyhyitä housuja, sandaaleita tai ole paljain jaloin.

Pidä leikkuria molemmiin käsiin ennen sen käynnistämistä niin, että toinen kätesi on takakahvalla ja toinen edessä olevalla suoralla apukahvalla (kuva L). Tarkista sitten, että seisot tasapainoisesti sopivan leikkausmatkan päässä ilman kumartumista.

SIIMALEIKKURIN KÄYNNISTÄMINEN/ SAMMUTTAMINEN

Käynnistys

Paina lukituksenpoistokytkin alas ja pidä sitä pohjassa. Paina liipaisinta kuvan M osoittamalla tavalla käynnistäaksesi siimaleikkurin.

Sammutus

Vapauta lukituksenpoistokytkin ja liipaisin.

HUOMAA: Moottorilla on kaksi leikkausnopeutta, asento 1 alemmalle nopeudelle ja asento 2 korkeammalle nopeudelle kuvan M osoittamalla tavalla. Paina nopeudensäädintä sopivaan asentoon leikkaamisen aikana.

Kuva M osien kuvaus alla:

| | |
|-----|----------|
| M-1 | Asento 1 |
| M-2 | Asento 2 |

VAROITUS: Poista akku siimaleikkurista aina, kun pidät työstä taukoa ja kun lopetat sen käytön.

TRIMMERIN KÄYTTÖ

VAROITUS: Pidä vakavien henkilövahinkojen välttämiseksi suojalaseja tai turvalaseja aina, kun käytät tätä laitetta. Pidä kasvo- tai hengityssuojainta pölysisissä olosuhteissa.

Tyhjennä leikattava alue ennen jokaista käyttöä. Poista kaikki esineet, kuten kivet, rikkoutunut lasi, naulat, vajjeri tai siima, jotka voivat sinkoutua leikkuulaitteesta tai soikeutua siihen. Tyhjennä alue lapsista, sivullisista ja lemmikkieläimistä. Pidä lapset, sivulliset ja lemmikkieläimet vähintään 15 m:n päässä. Sinkoutuvat esineet voivat silti vielä aiheuttaa vaaraa sivullisille. Sivullisia tulee kannustaa pitämään suojalaseja. Jos joku lähestyy sinua, sammuta moottori ja leikkuulaite välittömästi.

Tarkasta trimmeri ennen jokaista käyttöä vaurioituneiden/kuluneiden osien varalta

Tarkasta siimapää, suojus ja tukikahva ja vaihda halkeilleet, väänntyneet, taipuneet tai jollakin tavalla vaurioituneet osat.

Suojuksen reunassa oleva siiman rajoitusterä voi tlysyä ajan myötä. Suosittelemme, että teroitat sen määräajoin viilalla tai vaihdat sen uuteen terään.

VAROITUS: Käytä aina käsineitä, kun asennat suojusta tai teroitat terää tai vaihdat sen. Varo suojuksessa olevaa terää ja suojele kättä leikkautumiselta.

Puhdista trimmeri jokaisen käytön jälkeen.

HUOMAUTUS: Tukokset ilma-aukoissa estävät ilman virtaamisen moottorikehikkoon ja voivat aiheuttavat ylikuumentumista tai moottorin vahingoittumisen.

- Käytä työkalun puhdistamiseen vain mietoa saippuaa ja kosteaa liinaa. Älä koskaan päästä nestettä työkalun sisälle; älä koskaan upota työkalun mitään osaa nesteeseen.
- Pidä moottorin kotelon ja varren tuuletusaukot aina vapaina leikkuujätteestä

VAROITUS: Älä koskaan käytä vettä leikkurin puhdistamiseen. Älä käytä liuottimia, kun puhdistat muoviosia. Suurin osa muoveista on alttiita vahingoittumaan markkinoilla olevista liuottimista. Käytä lian, tomun, öljyn, rasvan yms. poistamiseen puhdasta liinaa.

LEIKKAUSSIIMAN PITUUDEN SÄÄTÄMINEN

Käyttäjät voi siimapään avulla vapauttaa lisää leikkussiimaa moottoria sammuuttamatta. Kun siima hankautuu tai kuluu, siimaa voidaan vapauttaa lisää kopauttamalla kevyesti siiman säätönuppia maahan trimmerin käytön aikana (katso kuva N).

HUOMAA: Siiman vapautus vaikeutuu, kun leikkussiima lyhenee.

VAROITUS: Pidä leikkussiima aina täysipituuisena. Siiman vapautus vaikeutuu, kun leikkussiima lyhenee.

SIIMAN VAIHTAMINEN

HUOMAUTUS: Käytä aina suositeltua nailonleikkussiimaa, jonka lapimitta on korkeintaan 2,0mm. Muunlaisen siiman käyttäminen saattaa aiheuttaa pensasleikkurin ylikuumentumista tai sen vaurioitumisen.

VAROITUS: Älä ikinä käytä metallilla vahvistettua siimaa, rautalankaa, narua yms. Ne saattavat katketa ja muodostaa vaarallisia ammuksia.

Leikkussiiman voi vaihtaa kahdella tavalla:

1. Kelaa rullaan uusi siima.
2. Asenna esikelattu siima (AS1302, tarvittaessa saatavilla jälleenmyyjältä).

Kelaa rullaan uusi siima

Paina rullan tyvessä olevia vapautuspainiketta ja vedä rullakiinnitin ulos (kuva O). Vedä ulos noin 5m uutta leikkussiimaa. Taita ja kela se rullalle kuvien P ja Q osoittamalla tavoilla. Laita sitten siiman päät rullan vastakkaisten lovien läpi (kuva R) ja aseta rulla takaisin kiinnittimeen niin, että lovet ovat samassa linjassa kiinnittimen pujotusreikien kanssa (kuva T). Lopuksi linjaa kiinnittimen aukot rullan tyven nappien kanssa samaan kohtaan ja paina kiinnitintä tasaisesti alas, kunnes se naksahtaa paikalleen (kuva S).

HUOMAA: Puhdista kelanpidin, kela ja kelateline aina ennen siimapään uudelleen kokoamista. Tarkasta kelanpidin, kela ja kelateline kulumisen varalta. Vaihda kuluneet osat tarvittaessa.

HUOMAA: Jos siimaa ei kierretä osoitettuun suuntaan, siimapää ei toimi oikein.

Esikelatun siiman asennus

Paina rullan tyvessä olevia vapautuspainiketta ja vedä rullakiinnitin ulos (kuva O). Laita sitten esikelattu siima kiinnittimeen niin, että sen lovet ovat samassa linjassa kiinnittimen pujotusreikien kanssa (kuva T). Lopuksi linjaa kiinnittimen aukot rullan tyven nappien kanssa samaan kohtaan ja paina kiinnitintä tasaisesti alas, kunnes se naksahtaa paikalleen (kuva S).

Kuvien S ja T osien kuvaus alla:

| | | | |
|-----|------|-----|--------|
| S-1 | Tab | T-1 | Notch |
| S-2 | Slot | T-2 | Eyelet |

HUOMAA: Varmista, että kelateline napsahtaa paikoilleen tai kela irtoaa käytön aikana.

HUOLTO

VAROITUS: Käytä huollon yhteydessä vain valmistajan hyväksymiä varaosia. Muiden osien käyttö voi aiheuttaa vaaran tai vahingoittaa tuotetta. Tarkasta ja huolla kone säännöllisin väliajoin. Valtuutetun huoltoteknikon tulee suorittaa kaikki korjaukset, jotta voidaan taata tuotteen turvallinen ja luotettava käyttö.

VAROITUS: Akkutyökaluja ei tarvitse kytkeä sähköverkkoon; ne ovat siksi aina käyttökunnossa. Estä vakava henkilövahinko olemalla erityisen varovainen, kun suoritat kunnossapitoa, huoltoa tai kun vaihdat leikkuulaitetta tai muita lisäosia.

VAROITUS: Irrota vakavien henkilövahinkojen estämiseksi akkuyksikkö työkalusta ennen lisäosien huoltoa, puhdistusta ja vaihtoa tai materiaalin poistamista laitteesta.

LAITTEEN PUHDISTUS

- Puhdista laite kostealla liinalla ja miedolla puhdistusaineella
- Älä käytä voimakkaita puhdistusaineita muovikoteloon tai kahvaan. Tiettyjä hyväntuoksuisia öljyjä (esim. mänty ja sitruuna) ja paloöljyn kaltaiset liuottimet voivat vaurioittaa niitä. Kosteus voi myös aiheuttaa sähköiskun vaaran. Pyyhi kosteus pois pehmeällä ja kuivalla liinalla.
- Puhdista moottorin kotelon tuuletusaukot pienellä harjalla tai pölynimurin harjalla.

LAITTEEN VARASTOINTI

- Irrota akkuyksikkö trimmeristä, kun trimmeriä ei käytetä.
- Puhdista työkalu perusteellisesti ennen varastointia.
- Varastoi laite kuivaan, hyvin ilmastoituun tilaan, joka on lukittu tai muuten lasten ulottumattomissa. Älä varastoi laitetta lannoitteiden, bensiinin tai muiden kemikaalien päälle tai viereen.

FI

Ympäristönsuojelu



Älä hävitä sähkölaitteita, akkulaturia tai akkua/ladattavia paristoja kotitalousjätteen seassa! Vie tämä tuote hyväksytyyn kierrätyspaikkaan tai anna se erilliseen keräilyyn. Sähkötyökalut tulee palauttaa asianmukaiseen ympäristöstävälliseen kierrätyslaitokseen.

VIANETSINTÄ

| ONGELMA | SYY | RATKAISU |
|-------------------------------------|--|---|
| Trimmeri ei käynnisty | <ul style="list-style-type: none"> ■ Akkuyksikköä ei ole asetettu trimmeriin ■ Ei sähkökontaktia trimmerin ja akun välillä. ■ Akkuyksikkö on tyhjä ■ Lukitusvipua ja liipaisinta ei paineta samanaikaisesti. | <ul style="list-style-type: none"> ■ Aseta akkuyksikkö trimmeriin ■ Irrota akku, tarkasta koskettimet ja asenna akkuyksikkö takaisin. ■ Lataa akkuyksikkö ■ Paina lukitusvipu alas ja pidä sitä painettuna, käynnistä sen jälkeen trimmeri painamalla liipaisinta. |
| Trimmeri sammuu leikkauksen aikana. | <ul style="list-style-type: none"> ■ Suojusta ei ole asennettu trimmeriin, mistä seuraa liian pitkä leikkuusiima ja moottorin ylikuormittuminen ■ Käytetään paksua leikkuusiimaa. ■ Moottorin varteen tai siimapäähän on takertunut ruohoa. ■ Moottori on ylikuormittunut. ■ Akkuyksikkö tai trimmeri on liian kuuma ■ Akkuyksikköä ei ole kytketty työkaluun ■ Akkuyksikkö on tyhjä. | <ul style="list-style-type: none"> ■ Irrota akkuyksikkö ja asenna suojuus trimmeriin ■ Käytä vain halkaisijaltaan enintään 2,0mm nylonvalmisteista leikkuusiimaa ■ Sammuta trimmeri, irrota akku ja poista ruoho moottorin varresta ja siimapäältä. ■ Irrota siimapää ruohosta. Moottori toimii jälleen heti, kun kuormitus on poistettu. Liikuta leikatessa siimapäätä leikattavaan ruohoon ja pois äläkä leikkaa kerralla yli 20cm pituudelta. ■ Anna akkuyksikön tai trimmerin jäähtyä, kunnes lämpötila laskee alle 67°C:een. ■ Asenna akkuyksikkö uudelleen. ■ Lataa akkuyksikkö. |
| Siimapäätä ei tule siimaa. | <ul style="list-style-type: none"> ■ Moottorin varteen tai siimapäähän on takertunut ruohoa ■ Kelassa ei ole tarpeeksi siimaa ■ Siimapää on likainen. ■ Siima on sotkussa kelalla ■ Siima on liian lyhyt. | <ul style="list-style-type: none"> ■ Sammuta trimmeri, irrota akku ja poista ruoho moottorin varresta ja siimapäältä. ■ Irrota akku ja vaihda leikkuusiima. Noudata tämän käsikirjan osiota "SIIMAN VAIHTO". ■ Irrota akku ja puhdista kela, kelanpidin ja kelateline. ■ Irrota akku, poista siima kelalta ja kierrä se uudelleen kelalle. Noudata tämän käsikirjan osiota "SIIMAN VAIHTO". ■ Irrota akku ja vedä siimojen päistä samalla, kun vuorotellen painat siiman säätönupin alas ja vapautat sen. |

FI



| ONGELMA | SYY | RATKAISU |
|--|---|---|
| Ruohoa kietoutuu siimapään ja moottorin kotelon ympärille. | <ul style="list-style-type: none">■ Pitkää ruohoa leikataan maan tasolla. | <ul style="list-style-type: none">■ Estä ruohon kietoutuminen leikkaamalla pitkä ruoho ylhäältä alaspäin poistaen yhdellä liikkeellä kerrallaan vain 20cm ruohoa. |
| Siima ei leikkaa hyvin. | <ul style="list-style-type: none">■ Suojuksen reunassa oleva siiman rajoitusterä on tylsynyt. | <ul style="list-style-type: none">■ Teroita siiman rajoitusterä viilalla tai vaihda se uuteen terään. |

TAKUU

EGO-TAKUUKÄYTÄNTÖ

Katso verkkosivuilta osoitteesta egopowerplus.com EGO-takuukäytännön ehdot ja edellytykset kokonaisuudessaan.

FI

LES ALLE INSTRUKSJONER!



LES BRUKERHÅNDBOKEN

⚠ ADVARSEL: Restrisiko! Personer med elektroniske enheter, for eksempel pacemakere, må rådføre seg med lege før de bruker dette produktet. Drift av elektrisk utstyr i umiddelbar nærhet av en pacemaker kan føre til at pacemakeren forstyrres eller svikter.



Sikkerhetsadvarsel



Bruk vernebriller – bruk alltid vernebriller eller vernebriller med sidebeskyttelse, og full ansiktsskjerm når du bruker dette produktet.



Bruk hørselvern – bruk alltid hørselsvern når du bruker dette produktet.



Bruk hodebeskyttelse – bruk en godkjent vernehjelm for å beskytte hodet.



Ikke installer runde skjæreblad.



Bredde – kantklipperens maks. skjærebredde



Sørg for at andre mennesker og kjæledyr er minst 15 m unna kantklipperen når den er i bruk.



Dette produktet er i samsvar med gjeldende EF-direktiver.



Elektrisk avfall skal ikke kastes sammen med husholdningsavfall. Innlever ved en godkjent gjenvinningsstasjon.

V Spenning

.../min Per minutt

kg Kilogram

SIKKERHETSSYMBOLER

⚠ ADVARSEL: Bruk av hvilke som helst elektroverktøy kan føre til at fremmedlegemer blir kastet mot øynene, noe som kan gi alvorlige øyeskader. Før du begynner å bruke elektroverktøyet, skal du alltid ta på vernebriller eller vernebriller med sidebeskyttelse, og en full ansiktsskjerm der det trengs. Vi anbefaler en Wide Vision Safety Mask til bruk over briller, eller standard vernebriller med sidebeskyttelse.



For å redusere risikoen for skader må brukeren lese bruksanvisningen.



Bruk vernesko – bruk skisikre vernesko når du bruker utstyret.



Bruk vernehansker – beskytt hendene med hansker når du håndterer knivbladene.



Vær oppmerksom på risikoen for tilbakeslag – varsel operatøren om faren for forskyvning av skjæreblad.



Diameter – diameteren på nylontråden



Gjenstander som slynges bort, kan rikosjettere og forårsake skade på personer eller eiendom. Sørg for at andre mennesker og kjæledyr er minst 15 m unna busktrimmeren når den er i bruk.



Produktet må ikke brukes i regnvær eller etterlates utendørs når det regner.



Dette produktet er i samsvar med gjeldende britisk lovgivning.



Garantert lydteffektiv. Støy i omgivelsene er i henhold til EUs direktiv.

n_0 Hastighet uten last-Rotasjonshastighet, uten last

≡ Likestrøm

NO

SPESIFIKASJONER

| | | |
|--|----------------------------------|--|
| Spenning | 56 V --- | |
| Hastighet uten last | Høy: 6500 /min Lav: 5200 /min | |
| Kuttemekanisme | Støthode | |
| Kuttelinje-type | 2,0mm Nylon vri linje | |
| Klippebredde | 33 cm | |
| Anbefalt driftstemperatur | 0°C-40°C | |
| Anbefalt lagringstemperatur | -20°C-70°C | |
| Vekt (uten batteripakke) | 2,76 kg | |
| Målt lydeffektnivå L_{WA} | 92,1 dB(A) K=1,6 dB(A) | |
| Maksimal lydtryknivå ved brukerens øre L_{PA} | 72,6 dB(A) K=2,5 dB(A) | |
| Garantert lydeffektnivå L_{WA} (målt i henhold til 2000/14/EC) | 94 dB(A) | |
| Vibrasjon a_h | Fremre hjelpehåndtak | 3,3 m/s ² K=0,9 m/s ² |
| | Bakre håndtak | 1,9 m/s ² K=1,5 m/s ² |

- Den deklarerte totale vibrasjonsverdien er målt i overensstemmelse med en standard testmetode, og kan brukes til å sammenligne ett verktøy med et annet;
- Den deklarerte totale vibrasjonsverdien kan også brukes i en foreløpig vurdering av eksponering.

MERK: Vibrasjoner under faktisk bruk av elektroverktøyet kan variere fra den opplyste verdien der verktøyet brukes; For å beskytte brukeren, skal det brukes hansker og hørselsvern under de faktiske bruksforholdene.

PAKKELISTE (Fig. A1)

BESKRIVELSE

KJENN GRESSTRIMMEREN DIN (Fig. A1)

- Utløser
- Bakhåndtak
- Låsespak
- Justeringsbryter for hastighet
- Myk slire
- Justerbart fremre hjelpehåndtak
- Støthode (kuttehode)

- Bump-knapp
- Linekuttersblad
- Skjerming
- Utkastingsmekanisme
- Elektriske kontakter
- Lås
- Batteriutløsningsknapp

MONTERING

UTBRETTING AV SKAFTET

ADVARSEL: Ikke hold skaftet ved skjøtene for å unngå å klemme hendene eller fingrene.

ADVARSEL: Ikke prøv å starte trimmeren før akselen har blitt låst. Brett skaftet forsiktig ut, sørg for at kabelen er inne i akselen, og lås den med to skruer med den medfølgende skiftenøkkelen (Fig.B1 & B2).

MONTERING AV SKJERMEN

Juster skjermmonteringshellene med monteringshellene og lås skjermen på skaftbasen med de to skruene. Sørg for at skjermen er festet slik fig. C viser. Omvendt festing kan forårsake stor skade!

MONTERING OG JUSTERING AV FREMRE HJELPEHÅNDTAK

Skiv det fremre hjelpehåndtaket på skaftet (fig. E), og sett klemblokken inn i håndtakssporet (fig. F). Monter låsepålen og lås med vingemutteren (fig. G). Sekvensen gjøres som vist i fig. D. Til slutt justeres det fremre hjelpehåndtakets posisjon slik at den fremre armen din er rett når du bruker trimmeren (fig. H) og deretter låses spaken på låsepålen (fig. I).

Fig. D og H delebeskrivelse, se nedenfor:

| | | | |
|-----|----------------------|-----|------------------|
| D-1 | Fremre hjelpehåndtak | D-4 | Vingemutter |
| D-2 | Låsepåle | H-1 | Mykt erme |
| D-3 | Klemmeblokk | H-2 | Advarselsetikett |

MERK: Det fremre hjelpehåndtaket vris oppover slik at det peker mot toppen av håndtaket.

ADVARSEL: Det fremre hjelpehåndtaket skal bare festes i fronten av den myke hylsen på skaftet.

ADVARSEL: Verktøyet kan ikke brukes uten hvis det fremre hjelpehåndtaket er skikkelig festet.

DRIFT

⚠ ADVARSEL: Ikke la fortrolighet med dette produktet gjøre deg uforsiktig. Husk at et uforsiktig tiendedel av et sekund er nok til å forårsake alvorlige skader.

⚠ ADVARSEL: Bruk alltid vernebriller med sidebeskyttelse. Sammen med hørselsvern. Unnlattelse av å gjøre dette kan resultere i at gjenstander som blir kastet kommer inn i øynene, og andre mulige og alvorlige skader.

⚠ ADVARSEL: Ikke bruk tilbehør eller deler som ikke er anbefalt av produsenten av produktet. Bruk av tilbehør eller deler som ikke er anbefalt kan føre til alvorlige personskader.

⚠ ADVARSEL: Bruk bare gresstrimmeren din når den er utstyrt med riktig kutteline, for å klippe gress og lignende materiale.

Du kan bruke dette produktet til de formålene som er oppført nedenfor:

Trimming: brukes for å fjerne gress og ugress inntil vegger, gjerder, trær og grenser.

Kutting: brukes for å klippe gress som er vanskelig å komme til med en vanlig gressklipper.

MERK: Verktøyet skal bare brukes til det foreskrevne formålet sitt. All annen bruk, for eksempel kantklipping, anses for å være misbruk

AV-/PÅSETTING AV BATTERIPAKKEN

Lad helt opp før første gangs bruk.

Bruk kun med batteripakker og ladere som oppført i fig. A2

Feste

Juster batteririllene sammen med monteringssporene, og trykk batteripakken ned til du hører et „klikk“. (fig. J)

Løsning

Trykk ned batteriutløserknappen, og trekk batteripakken ut slik fig. K viser.

HVORDAN HOLDE GRESSTRIMMEREN

⚠ ADVARSEL: Kle deg riktig for å redusere risikoen for skader når du bruker dette verktøyet. Ikke bruk løstsittende klær eller smykker. Bruk vernebriller og øre/hørselsvern. Bruk tunge og lange bukser, støvler og hansker. Ikke bruk korte bukser eller sandaler, og ikke gå barbert.

Før du bruker den, må trimmeren holdes med begge hender, en hånd på det bakre håndtaket og den andre på det fremre hjelpe håndtaket, som skal være rett (fig. L).

Så sjekker du at du har balansert fotfeste og en skikkelig kutteavstand, uten at operatøren bøyer seg.

START/STOPP AV GRESSTRIMMEREN

For å starte

Trykk ned låsespaken, og hold den i den posisjonen. Trykk på avtrekkeren for å slå på gresstrimmeren som Fig. M viser.

For å stoppe

Slipp låsespaken og avtrekkeren.

MERK: Motoren har to hastigheter for skjæring: posisjon «1» for lavere hastighet og posisjon «2» for høy hastighet, som fig. M viser. Bare trykk justeringsbryteren for hastighet til passende stilling under kuttingen.

Fig. M delebeskrivelse, se nedenfor:

| | |
|-----|------------|
| M-1 | Posisjon 1 |
| M-2 | Posisjon 2 |

⚠ ADVARSEL: Batteripakken må alltid fjernes fra gresstrimmeren under pauser og etter endt arbeid.

BRUKE GRESSTRIMMEREN

⚠ ADVARSEL: For å unngå alvorlige personskader skal det brukes briller eller vernebriller hele tiden mens du bruker denne enheten. Bruk en ansiktsmaske eller støvmaske i støvete omgivelser.

Rydd området som skal skjæres før hver bruk. Fjern alle gjenstander så som steiner, knust glass, spiker, ståltråd, eller line som kan kastes eller bli viklet inn i kuttedeler. Se til at området er fritt for barn, tilskuere og dyr. Minimum er at alle barn, tilskuere og dyr er minst 15m unna; det kan fremdeles være fare for at forbigående treffes av gjenstander som slynges ut. Tilskuere bør oppmuntres til å bruke vernebriller. Hvis du blir kontaktet, stopper du motoren og kutteutstyret umiddelbart.

Før hver bruk skal det sjekkes etter skadede/slitte deler

Sjekk støthodet, skjermen og det fremre hjelpehåndtaket, og bytt de delene som har sprekker, er vridd, bøyd eller skadet på noen måte.

Line-kuttesskiven på kanten av skjermen kan bli sløv over tid. Det anbefales at du med jevne mellomrom skjerper den med en fil eller bytter den med et nytt blad.

⚠ ADVARSEL: Alltid bruk hansker ved montering av skjermen eller bytte av bladet. Vær forsiktig med bladet på skjermen, og beskytt hånden mot kutt.

NO

Etter hver bruk, skal trimmeren rengjøres.

⚠ FORSIKTIG: Hindringer i ventilene vil hindre luft fra å komme inn i motorhuset, og resultere i overoppheting eller skade på motoren.

- Verktøyet skal bare rengjøres med mild såpe og en fuktig klut. Aldri la væske komme inn i verktøyet; aldri dypp noen del av verktøyet i væske.
- Hold lufterventiler i motorhuset og skaflet frie for rusk til enhver tid

⚠ ADVARSEL: Bruk aldri vann til rengjøring av trimmeren din. Unngå å bruke løsemidler når plastdeler skal rengjøres. De fleste plasttyper er utsatt for skader fra ulike typer kommersielle løsemidler. Bruk rene kluter for å fjerne skitt, støv, olje, fett, etc.

JUSTERING AV KUTTLINELENGDEN

Støthodet gjør at brukeren kan frigjøre mer kutteline uten å stoppe motoren. Etter hvert som linen blir frynset eller slitt, kan ekstra linje frigis med et lett trykk på støtknotten mot bakken under bruk av trimmeren (se fig.N).

MERK: Lineutslippet blir vanskeligere ettersom kuttelinen blir kortere.

⚠ ADVARSEL: Ikke fjern eller endre linekuttingsbladets montering. Overdreven linelengde vil føre til at motoren overopphetes og kan resultere i alvorlig personskaade.

BYTTE AV LINE

MERK: Bruk alltid anbefalt type nylontråd med en diameter på maks. 2,0 mm. Bruk av andre tradtyper enn den som er spesifisert, kan føre til at busktrimmeren blir overopphet eller skadet.

⚠ ADVARSEL: Aldri bruk metallforsterket linje, wire, tau, etc. Disse kan knekke av og bli farlige prosjektiler.

Det finnes to metoder for å bytte trimmerlinen:

1. Vikle spolen med ny linje.
2. Installer en ferdig innrullet spole (AS1302, om nødvendig, tilgjengelig fra forhandler).

Vikle spolen med ny line

Trykk på de to utløsertappene på spolebasen, og trekk spoleholderen ut (fig. O). Ta ut ca 5m ny kutteline. Brett og vikle den på skjeen slik fig. P og Q viser. Deretter plasseres linen gjennom de to motsatte hakkene i skjeen (fig. R) og skjeen settes i holderen sin med hakkene på linje med holdemaljene (fig. T). Til slutt justeres holdersporene inn med tappene på skjebasen, og holderen trykkes jevnt ned, samtidig som man sikrer at den knepper på plass (fig. S).

MERK: Spoleholderen skal alltid rengjøres, samt spole og spolebasen før man remonterer trimmerhodet. Sjekk spoleholderen, spolen og spolebasen for slitasje. Om nødvendig byttes slitte deler.

MERK: Unnlatelse av å vikle linen i retningen som er merket, vil føre til at trimmerhodet fungerer feil.

Installere en ferdig opprullet spole

Trykk på de to utløsertappene på spolebasen, og trekk spoleholderen ut (fig. O). Deretter plasseres en ferdig innrullet spole inn i holderen med hakkene på linje med holdemaljene (fig. T). Til slutt justeres holdersporene inn med tappene på skjebasen, og holderen trykkes jevnt ned, samtidig som man sikrer at den knepper på plass (fig. S).

Fig. S og T delebeskrivelse, se nedenfor:

| | | | |
|-----|------|-----|----------|
| S-1 | Fane | T-1 | Innsnitt |
| S-2 | Hull | T-2 | Øyehull |

MERK: Pass på at tappene på spolebasen klikker på plass, ellers vil spolen komme ut under drift.

VEDLIKEHOLD

⚠ ADVARSEL: Ved service skal det bare brukes originale reservedeler. Inspiser og vedlikehold maskinen regelmessig. For sikre både sikkerheten og påliteligheten, skal alle reparasjoner utføres av en kvalifisert servicetekniker.

⚠ ADVARSEL: Batteriverktøy trenger ikke å være koblet til et strømuttak; derfor er de alltid klare til bruk. For å unngå alvorlig personskaade, skal det tas ekstra forholdsregler og utvises forsiktighet når du utfører vedlikehold, service eller bytting av kutteutstyr eller annet tilbehør.

⚠ ADVARSEL: For å unngå alvorlig personskaade, tas batteriet ut av verktøyet før service, rengjøring, bytte av tilbehør eller fjerning av materiale fra enheten.

RENGJØRING AV ENHETEN

- Rengjør enheten med en fuktig klut og mildt rengjøringsmiddel.
- Ikke bruk sterke vaskemidler på plashuset eller håndtaket. De kan bli skadet av visse aromatiske oljer, slik som furu og sitron, og av løsemidler som parafin. Fuktighet kan også føre til fare for støt. Tørk av eventuell fuktighet med en myk, tørr klut.
- Bruk en liten pensel eller luftutslippet fra en liten støvsugerbørste til å holde lufterventilene fri for hindringer på det bakre huset.

NO

LAGRING AV ENHETEN

- Fjern batteripakken fra trimmeren når den ikke er i bruk.
- Rengjør verktøyet grundig før lagring.
- Lagre enheten tørt og godt ventilert, låst inne eller høyt oppe, og utilgjengelig for barn. Ikke oppbevar enheten på eller nær gjødsel, bensin eller andre kjemikalier.

Beskytt miljøet



Elektrisk utstyr, batteriladere og batterier / oppladbare batterier må ikke kastes i husholdningsavfallet! Ta med dette produktet til autorisert gjenvinning, og gjør det tilgjengelig for separat innsamling. Elektriske verktøy må returneres til et egnet resirkuleringsanlegg.

NO

FEILSØKING

| PROBLEM | ÅRSAK | LØSNING |
|--|--|--|
| Linetrimmeren vil ikke starte. | <ul style="list-style-type: none"> ■ Batteripakken er ikke festet til trimmeren. ■ Ingen elektrisk kontakt mellom trimmeren og batteriet. ■ Batteripakken er tom. ■ Låsespaken og utløseren ble ikke trykket inn samtidig. | <ul style="list-style-type: none"> ■ Fest batteripakken til trimmeren. ■ Fjern batteriet, sjekk kontakter og installer batteripakken. ■ Lad opp batteripakken. ■ Trykk ned låsespaken og hold den inne, og trykk deretter på utløseren for å starte gresstrimmeren. |
| Gresstrimmeren stopper under trimmingen. | <ul style="list-style-type: none"> ■ Skjermen er ikke montert på trimmeren, noe som resulterer i altfor lang kutteline og overbelastning av motoren. ■ Tung kutteline brukes. ■ Motorakselen eller trimmerhodet er tettet av gress. ■ Motoren er overbelastet. ■ Batteripakken eller gresstrimmeren er for varm. ■ Batteripakken er koblet fra verktøyet. ■ Batteripakken er tom. | <ul style="list-style-type: none"> ■ Ta ut batteripakken og fest skjermen på trimmeren. ■ Brukes bare med nylonkutteline med 2,0mm diameter eller mindre. ■ Stopp trimmeren, ta ut batteriet, og fjern gress fra motorakselen og trimmerhodet. ■ Fjern trimmerhodet fra gresset. Motoren vil begynne å arbeide igjen straks belastningen er fjernet. Når du kutter, flyttes trimmerhodet inn og ut av gresset som skal klippes, og ikke fjern mer enn 20cm lengde i et enkelt kutt. ■ La batteripakken eller trimmeren kjøle seg ned til temperaturen synker under 67 °C. ■ Installer batteripakken på nytt. ■ Lad opp batteripakken. |
| Trimmerhodet vil ikke slippe ut line. | <ul style="list-style-type: none"> ■ Motorakselen eller trimmerhodet er tettet av gress. ■ Det er ikke nok line på spolen. ■ Trimmerhodet er skittent. ■ Linen er vaset sammen på spolen. ■ Linen er for kort. | <ul style="list-style-type: none"> ■ Stopp trimmeren, ta ut batteriet, og fjern gress fra motorakselen og trimmerhodet. ■ Ta ut batteriet og sett på kuttelinen i henhold til avsnittet «LINEBYTTE» i denne bruksanvisningen. ■ Ta ut batteriet og rengjør spolen, spoleholderen og spolebasen. ■ Ta ut batteriet, fjern linen fra spolen og spol den tilbake; følg avsnittet «LINEBYTTE» i denne bruksanvisningen. ■ Ta ut batteriet og trekk linene mens du vekselvis trykker ned på og slipper støtknotten. |

NO



| PROBLEM | ÅRSAK | LØSNING |
|--|--|---|
| Gress vikler seg rundt trimmerhodet og motorhuset. | <ul style="list-style-type: none">■ Klipping av høyt gress på bakkenivå. | <ul style="list-style-type: none">■ Klipp høyt gress fra toppen og ned, og ikke fjern mer enn 20cm i hver passering, for å hindre opphopning. |
| Linen kutter ikke bra. | <ul style="list-style-type: none">■ Linekappskiven på kanten av skjermen har blitt sløv. | <ul style="list-style-type: none">■ Skjerp linekappskiven med en fil, eller bytt den ut med en ny. |

GARANTI

EGOs GARANTIREGLER

Besøk nettsiden egopowerplus.com for å se fullstendige vilkår og betingelser for EGO-garantireglene.

NO

ПРОЧИТАЙТЕ ВСЕ ИНСТРУКЦИИ!



ПРОЧИТАЙТЕ РУКОВОДСТВО ПОЛЬЗОВАТЕЛЯ

⚠ ПРЕДУПРЕЖДЕНИЕ. Остаточный риск! Если вы используете такие электронные устройства, как кардиостимулятор, перед эксплуатацией данного устройства проконсультируйтесь с врачом. Использование электрооборудования в непосредственной близости от кардиостимулятора может привести к образованию помех и повреждению кардиостимулятора.



Предупреждение об опасности



Надевайте защитные очки. При работе с данным устройством всегда используйте защиту для глаз или защитные очки с боковыми щитками и полнопрофильную защитную маску.



Используйте средства защиты органов слуха. При использовании устройства всегда надевайте средства защиты органов слуха.



Используйте защитный головной убор. Используйте надежную каску для защиты головы.



Не используйте круглые режущие элементы.



Ширина. Макс. ширина резания триммера с леской



Убедитесь, что другие люди и животные находятся на расстоянии не менее 15 м от работающего устройства.



Соответствует основным требованиям стандартов безопасности Европейских директив.



Неисправные электрические устройства нельзя выбрасывать вместе с бытовым мусором. Сдавайте их в авторизованные пункты сбора и утилизации.

V Напряжение

.../min В минуту

kg Килограмм

СИМВОЛЫ БЕЗОПАСНОСТИ



⚠ ПРЕДУПРЕЖДЕНИЕ. В результате работы электроинструмента в глаза могут попасть посторонние предметы, что приведет к серьезному повреждению глаз. Перед началом использования электроинструмента всегда надевайте защитную маску или защитные очки с боковыми щитками и полнопрофильную защитную маску (при необходимости). Поверх очков или стандартных защитных очков рекомендуется надевать безопасную маску с широким обзором.



Прочитайте руководство по эксплуатации, чтобы уменьшить риск получения травм.



Используйте надежную обувь. При использовании устройства надевайте надежную нескользящую обувь.



Используйте защитные перчатки. При работе с режущим элементом и щитком надевайте защитные перчатки.



Остерегайтесь отдачи режущего элемента. Предупредите оператора об опасности отдачи режущего элемента.



Диаметр. Диаметр нейлоновой режущей лески.



Отброшенные предметы могут отскочить и привести к травмам или повреждению имущества. Убедитесь, что другие люди и животные находятся на расстоянии от работающего устройства.



Во время дождя не используйте устройство и не оставляйте его вне помещения.



данный продукт соответствует действующему законодательству Великобритании.



Гарантированный уровень звуковой мощности. Уровень шума в окружающей среде в соответствии с директивой ЕС.

n_0 Скорость работы без нагрузки-Скорость вращения без нагрузки

⚡ Постоянный ток

ТЕХНИЧЕСКИЕ ХАРАКТЕРИСТИКИ

| | | |
|--|--|--|
| Напряжение | 56 В | |
| Скорость вращения без нагрузки | Высокая корость: 6500 об/мин. Низкая скорость: 5200 об/мин. | |
| Режущий механизм | Головка катушки | |
| Тип режущей лески | 2,0мм Нейлон твист линии | |
| Ширина резания | 33 см | |
| Рекомендуемая рабочая температура | От 0 до 40 °С | |
| Рекомендуемая температура хранения | от -20 до 70 °С | |
| Масса (без аккумулятора) | 2,76 кг | |
| Измеренный уровень звуковой мощности L_{WA} | 92,1 дБ (А) K=1,6 дБ (А) | |
| Максимальная уровень звукового давления на уши оператора L_{PA} | 72,6 дБ (А) K=2,5 дБ (А) | |
| Гарантированный уровень звуковой мощности L_{WA} (измерен в соответствии с 2000/14/ЕС) | 94 дБ (А) | |
| Вибрация a_h | Передняя вспомогательная рукоятка | 3,3 м/с ² K=0,9 м/с ² |
| | Задняя рукоятка | 1,9 м/с ² K=1,5 м/с ² |

- Указанный общий показатель уровня вибрации был определен с помощью стандартного теста и может быть использован для сравнения разных инструментов.
- Указанный общий уровень вибрации может использоваться также для предварительной оценки уровня воздействия.

ПРИМЕЧАНИЕ. Реальное вибрационное воздействие электроинструмента может отличаться от указанного в зависимости от способа использования. В целях безопасности оператор должен надевать перчатки и средства защиты органов слуха во время использования устройства.

УПАКОВОЧНЫЙ ЛИСТ (Рис. А1)

ОПИСАНИЕ

ЧАСТИ ТРИММЕРА С ЛЕСКОЙ (Рис. А1)

1. Курок
2. Задняя рукоятка

3. Рычаг блокировки
4. Переключатель скорости
5. Мягкая накладка
6. Регулируемая передняя вспомогательная рукоятка
7. Головка катушки (режущая головка)
8. Фиксатор катушки
9. Лезвие для лески
10. Щиток
11. Выталкивающий механизм
12. Электрические контакты
13. Фиксатор
14. Кнопка фиксации аккумулятора

СБОРКА

РАСКЛАДЫВАНИЕ ВАЛА

⚠ ПРЕДУПРЕЖДЕНИЕ. Во избежание защемления пальцев не держите вал за шарниры.

⚠ ПРЕДУПРЕЖДЕНИЕ. Не пытайтесь запустить триммер до тех пор, пока вал не будет зафиксирован. Осторожно разложите вал и убедитесь, что кабель находится внутри вала. Зафиксируйте вал двумя винтами с помощью прилагаемого гаечного ключа (Рис. В1 и В2).

RU

УСТАНОВКА ЩИТКА

Совместите крепежные отверстия щитка с отверстиями для установки, а затем зафиксируйте щиток на основании вала при помощи двух винтов. Убедитесь, что щиток установлен так, как показано на Рис. С. Любое другое положение установки может быть очень опасным!

УСТАНОВКА И РЕГУЛИРОВКА ПЕРЕДНЕЙ ВСПОМОГАТЕЛЬНОЙ РУКОЯТКИ

Наденьте переднюю вспомогательную рукоятку на вал (Рис. Е), затем вставьте зажимной блок в отверстие рукоятки (Рис. F), установите фиксатор и закрепите их при помощи барашковой гайки (Рис. G). Последовательность указана на Рис. D. Наконец, отрегулируйте положение передней вспомогательной рукоятки таким образом, чтобы передняя рука была полностью распрямлена при использовании триммера (Рис. H), а затем закрепите рычаг фиксатора (Рис. I).

Описание частей на Рис. D и H:

| | | | |
|-----|-----------------------------------|-----|--------------------------|
| D-1 | Передняя вспомогательная рукоятка | D-4 | Барашковая гайка |
| D-2 | Фиксатор | H-1 | Мягкая накладка |
| D-3 | Зажимной блок | H-2 | Предупреждающая этикетка |

ПРИМЕЧАНИЕ. Передняя вспомогательная рукоятка должна быть повернута вверх, чтобы располагаться сверху рукоятки.

⚠ ПРЕДУПРЕЖДЕНИЕ. Фиксируйте переднюю вспомогательную рукоятку только спереди от мягкой накладки.

⚠ ПРЕДУПРЕЖДЕНИЕ. Не используйте устройство без надежно установленной передней вспомогательной рукоятки.

ИСПОЛЬЗОВАНИЕ

⚠ ПРЕДУПРЕЖДЕНИЕ. Не допускайте небрежности и беспечности при работе с устройством. Помните, что потери бдительности на долю секунды достаточно для получения серьезной травмы.

⚠ ПРЕДУПРЕЖДЕНИЕ. Всегда надевайте защитные очки с боковыми щитками, а также средства защиты органов слуха. В противном случае выбрасываемые предметы попадут в глаза, что может привести к получению серьезной травмы.

⚠ ПРЕДУПРЕЖДЕНИЕ. Не используйте насадки или дополнительные приспособления, не рекомендованные производителем устройства. Использование нерекондованных дополнительных приспособлений может привести к серьезным травмам.

⚠ ПРЕДУПРЕЖДЕНИЕ. Используйте триммер, оснащенный подходящей режущей леской, только для скашивания травы и подобных материалов.

Данное устройство можно использовать в следующих целях.

Скашивание: используется для удаления травы и сорняков рядом со стенами, заборами, деревьями и бордюрами.

Резка: используется для скашивания травы, которую трудно достать при помощи обычной газонокосилки.

ПРИМЕЧАНИЕ. Инструмент должен использоваться только по назначению. Любое другое использование (например, обрезка кустов) считается неправильным.

УСТАНОВКА И ДЕМОНТАЖ АККУМУЛЯТОРА

Перед первым использованием полностью зарядите аккумулятор.

Используйте только аккумуляторы и зарядные устройства, указанные на рис. A2.

Установка

Совместите ребра аккумулятора с крепежными отверстиями и вставьте аккумулятор до щелчка (Рис. J)

Демонтаж

Нажмите кнопку фиксации аккумулятора и извлеките аккумулятор, как показано на Рис. К.

ОБРАЩЕНИЕ С ТРИММЕРОМ С ЛЕСКОЙ

⚠ ПРЕДУПРЕЖДЕНИЕ. Одевайтесь надлежащим образом, чтобы снизить риск получения травм при использовании данного инструмента. Не надевайте свободную одежду и украшения. Наденьте защиту органов зрения и слуха. Надевайте плотные длинные брюки, прочную обувь и перчатки. Не надевайте шорты, сандалии и не работайте босиком.

Перед началом работы возьмите триммер обеими руками: одной рукой за заднюю рукоятку, а другой — за переднюю вспомогательную рукоятку таким образом, чтобы рука была полностью выпрямлена (Рис. L). Затем примите устойчивое положение, соблюдая надлежащее расстояние для работы, и не перегибайтесь во время использования триммера.

ВКЛЮЧЕНИЕ И ВЫКЛЮЧЕНИЕ ТРИММЕРА С ЛЕСКОЙ

Включение

Нажмите на рычаг блокировки и удерживайте его. Затем зажмите курковый переключатель, чтобы включить триммер, как показано на Рис. M.

Выключение

Отпустите рычаг блокировки и курковый переключатель.

ПРИМЕЧАНИЕ. Двигатель имеет две настройки скорости резки: положение 1 для низкой скорости и положение 2 для высокой скорости, как показано на Рис. M. Просто установите переключатель скорости в нужное положение во время использования триммера.

Описание частей на Рис. M

| | |
|-----|-------------|
| M-1 | Положение 1 |
| M-2 | Положение 2 |

⚠ ПРЕДУПРЕЖДЕНИЕ. Во время перерывов в работе и после ее окончания всегда извлекайте аккумулятор из триммера.

ИСПОЛЬЗОВАНИЕ ТРИММЕРА С ЛЕСКОЙ

⚠ ПРЕДУПРЕЖДЕНИЕ. Во избежание травм всегда надевайте защитные очки при работе с данным устройством. Надевайте маску или респиратор при работе в пыльной среде.

Очищайте обрабатываемый участок перед каждым использованием инструмента. Удалите такие предметы, как камни, осколки стекла, гвозди, проволоку или веревки, которые могут запутаться в режущем приспособлении или которые оно может отбросить. На участке не должны находиться дети, прохожие и животные. Дети, прохожие и животные должны находиться на расстоянии не менее 15 м, так как во время работы могут отлетать предметы. Посторонние лица должны надевать защитные очки. В случае приближения посторонних лиц немедленно остановите двигатель и режущее приспособление.

Перед каждым использованием проверяйте устройство на наличие поврежденных и изношенных частей.

Проверьте головку катушки, щиток и переднюю вспомогательную рукоятку и замените треснувшие, деформированные, изогнутые или поврежденные части.

Лезвие для обрезки лески на краю щитка может время от времени затупляться. Рекомендуется периодически затачивать его напильником или заменять новым.

⚠ ПРЕДУПРЕЖДЕНИЕ. Всегда надевайте перчатки при установке щитка, заточке или замене лезвия. Остерегайтесь лезвия на щитке и берегите руки от порезов.

Очищайте триммер после каждого использования.

⚠ ВНИМАНИЕ! Загрязнения в вентиляционных отверстиях могут помешать попаданию воздуха в корпус двигателя и привести к перегреву и повреждению двигателя.

- Для очистки устройства используйте только слабый мыльный раствор и влажную ткань. Никогда не допускайте попадания какой-либо жидкости внутрь инструмента и никогда не погружайте никакие части инструмента в жидкость.
- Следите за тем, чтобы вентиляционные отверстия на корпусе двигателя и вале всегда были чистыми

⚠ ПРЕДУПРЕЖДЕНИЕ. Никогда не используйте воду для очистки триммера. Не используйте растворители для очистки пластиковых элементов. Большинство пластиковых частей чувствительны к различным бытовым растворителям. Для очистки от грязи, пыли, масла, смазки и т. п. используйте чистую ткань.

РЕГУЛИРОВКА ДЛИНЫ РЕЖУЩЕЙ ЛЕСКИ

Головка катушки позволяет оператору вытянуть больше лески, не выключая двигатель. Если леска изнасилась во время использования триммера, слегка

прижмите фиксатор катушки к земле, чтобы вытянуть дополнительную леску (см. Рис. N).

ПРИМЕЧАНИЕ. Регулировку сложнее выполнять, когда режущая леска становится короткой.

⚠ ПРЕДУПРЕЖДЕНИЕ. Не демонтируйте и не изменяйте узел лезвия для обрезки лески. Слишком длинная леска может стать причиной перегрева двигателя и серьезных травм.

ЗАМЕНА ЛЕСКИ

ПРИМЕЧАНИЕ. Всегда используйте рекомендованную нейлоновую режущую леску диаметром не более 2,0 мм. Использование лески, не отвечающей техническим характеристикам устройства, может привести к перегреву или повреждению триммера.

⚠ ПРЕДУПРЕЖДЕНИЕ. Никогда не используйте усиленную металлом леску, проволоку, веревку и т. д. Части этих материалов могут отделяться и опасно разлетаться в стороны.

Существует два способа замены режущей лески.

1. Намотайте новую леску на катушку.
2. Установите новую катушку с намотанной леской (AS1302, имеется в продаже у официальных дилеров).

Намотка новой лески на катушку

Нажмите на два зажима у основания катушки и снимите ее с фиксатора (Рис. O). Возьмите приблизительно 5 м новой режущей лески. Сложите ее и намотайте на катушку, как показано на Рис. P и Q. Затем проденьте концы лески через два паза катушки, расположенных друг напротив друга (Рис. R), и установите катушку на фиксатор, совместив пазы с отверстиями фиксатора (Рис. T). Наконец, совместите разъемы фиксатора с зажимами на основании катушки, прижмите фиксатор и убедитесь, что он надежно встал на место (Рис. S).

ПРИМЕЧАНИЕ. Всегда очищайте фиксатор катушки, катушку и ее основание перед сборкой головки триммера. Проверьте их на наличие признаков износа. При необходимости заменяйте изношенные части.

ПРИМЕЧАНИЕ. Несоблюдение указанного направления намотки лески может привести к неправильной работе головки триммера.

Установка готовой катушки

Нажмите на два зажима у основания катушки и снимите ее с фиксатора (Рис. O). Затем установите катушку с леской на фиксатор, совместив пазы и отверстия (Рис. T). Наконец, совместите разъемы фиксатора с зажимами на основании катушки, прижмите фиксатор и убедитесь, что он надежно встал на место (Рис. S).

Описание частей на Рис. S и T

| | | | |
|-----|--------|-----|-----------|
| S-1 | Зажим | T-1 | Паз |
| S-2 | Разъем | T-2 | Отверстие |

ПРИМЕЧАНИЕ. Убедитесь, что зажимы на основании катушки надежно зафиксировались на месте, в противном случае катушка слетит с триммера во время использования.

ОБСЛУЖИВАНИЕ

RU

⚠ ПРЕДУПРЕЖДЕНИЕ. При ремонте используйте только идентичные запасные части. Регулярно проверяйте и выполняйте техническое обслуживание устройства. Чтобы обеспечить безопасность и надежность устройства, его ремонт должен выполнять квалифицированный специалист.

⚠ ПРЕДУПРЕЖДЕНИЕ. Работающие от аккумуляторов инструменты не требуются подключать к розетке электросети, поэтому они всегда готовы к использованию. Чтобы предотвратить получение серьезных травм, будьте особо осторожны и внимательны при выполнении технического обслуживания, ремонта или замене режущих или других приспособлений.

⚠ ПРЕДУПРЕЖДЕНИЕ. Чтобы предотвратить получение серьезных травм, извлекайте аккумулятор перед выполнением сервисного обслуживания, очистки, замены принадлежностей или удаления материала из устройства.

ОЧИСТКА УСТРОЙСТВА

- Очистите устройство с помощью влажной ткани и мягкого моющего средства.

- Не используйте активные моющие средства для очистки пластикового корпуса или рукоятки. Они могут быть повреждены определенными ароматическими маслами, такими как хвойное и лимонное масла, а также растворителями, например керосином. Кроме того, наличие влаги может привести к поражению электрическим током. Протрите влажное место мягкой сухой тканью.
- С помощью маленькой щетки или нагнетания воздуха с помощью небольшого пылесоса очистите вентиляционные отверстия на задней стороне корпуса от загрязнений.

ХРАНЕНИЕ УСТРОЙСТВА

- Извлеките аккумулятор из устройства, если оно не используется.
- Тщательно очистите устройство перед хранением.
- Храните устройство в сухом, хорошо проветриваемом, закрытом или высоком месте, недоступном для детей. Не храните устройство рядом с удобрениями, бензином или другими химическими веществами.

Защита окружающей среды



Не выбрасывайте электроприборы, заряженные устройства и аккумуляторные батареи вместе с бытовыми отходами! Отправьте данное изделие на переработку в специализированное предприятие или сдайте его для отдельного сбора. Электроинструменты должны быть возвращены на перерабатывающее предприятие, не наносящее ущерба окружающей среде.

УСТРАНЕНИЕ НЕИСПРАВНОСТЕЙ

| ПРОБЛЕМА | ПРИЧИНА | РЕШЕНИЕ |
|--|--|--|
| Триммер с леской не запускается. | <ul style="list-style-type: none"> ■ Аккумулятор не установлен в триммер. ■ Нет электрического контакта между триммером и аккумулятором. ■ Аккумулятор разряжен. ■ Рычаг блокировки и курковый переключатель не зажаты одновременно. | <ul style="list-style-type: none"> ■ Установите аккумулятор в триммер. ■ Извлеките аккумулятор, проверьте контакты и установите его снова. ■ Зарядите аккумулятор. ■ Нажмите на рычаг блокировки и удерживайте его, затем нажмите курковый переключатель, чтобы включить триммер. |
| Устройство остановилось во время работы. | <ul style="list-style-type: none"> ■ Щиток не установлен на триммер, в результате чего леска стала очень длинной, и двигатель перегрелся. ■ Используется слишком тяжелая режущая леска. ■ Вал двигателя и головка триммера забились травой. ■ Двигатель перегружен. ■ Аккумулятор или триммер перегрелись. ■ Аккумулятор не подключен к устройству. ■ Аккумулятор разряжен. | <ul style="list-style-type: none"> ■ Извлеките аккумулятор и установите щиток на триммер. ■ Используйте только нейлоновую режущую леску диаметром не более 2мм. ■ Выключите триммер, извлеките аккумулятор и удалите траву из вала двигателя и головки триммера. ■ Поднимите головку триммера над травой. Двигатель начнет работать снова, как только нагрузка уменьшится. Во время скашивания перемещайте головку триммера в траву и из нее, срезая не более 20см длины за раз. ■ Дайте аккумулятору или триммеру остыть, пока температура не упадет ниже 67 °С. ■ Установите аккумулятор. ■ Зарядите аккумулятор. |

RU

| ПРОБЛЕМА | ПРИЧИНА | РЕШЕНИЕ |
|--|--|---|
| Из головки триммера не вытягивается леска. | <ul style="list-style-type: none"> ■ Вал двигателя и головка триммера забились травой. ■ Недостаточно лески в катушке. ■ Головка триммера загрязнена. ■ Леска запуталась в катушке. ■ Леска слишком короткая. | <ul style="list-style-type: none"> ■ Выключите триммер, извлеките аккумулятор и удалите траву из вала двигателя и головки триммера. ■ Извлеките аккумулятор и замените режущую леску в соответствии с инструкциями в разделе «ЗАМЕНА ЛЕСКИ» данного руководства. ■ Извлеките аккумулятор, очистите катушку, ее фиксатор и основание. ■ Извлеките аккумулятор, снимите леску с катушки и намотайте ее заново в соответствии с инструкциями в разделе «ЗАМЕНА ЛЕСКИ» данного руководства. ■ Извлеките аккумулятор и вытяните леску, нажимая на фиксатор катушки. |
| Трава наматалась на головку триммера и корпус двигателя. | <ul style="list-style-type: none"> ■ Стрижка высокой травы на уровне земли. | <ul style="list-style-type: none"> ■ Скашивайте высокую траву сверху вниз и срезайте не более 20 см за один раз, чтобы предотвратить подобные ситуации. |
| Леска плохо срезает траву. | <ul style="list-style-type: none"> ■ Лезвие для обрезки лески на краю щитка затупилось. | <ul style="list-style-type: none"> ■ Заточите лезвие для обрезки лески напильником или замените. |

RU

ГАРАНТИЯ

ГАРАНТИЙНАЯ ПОЛИТИКА EGO

Посетите веб-сайт egopowerplus.com, чтобы ознакомиться со всеми условиями и сроками гарантийной политики EGO.

PRZECZYTAJ WSZYSTKIE INSTRUKCJE!



PRZECZYTAJ INSTRUKCJĘ OBSŁUGI

⚠ OSTRZEŻENIE: Ryzyko resztkowe! Osoby z urządzeniami elektronicznymi, takimi jak rozruszniki serca, powinny przed użyciem produktu skonsultować się ze swoim(i) lekarzem(-ami). Używanie urządzeń elektrycznych blisko rozrusznika serca może spowodować zakłócenia lub uszkodzić rozrusznik.



Ostrzeżenie dotyczące bezpieczeństwa



Noś okulary ochronne – Podczas używania produktu należy zawsze nosić gogle ochronne lub okulary ochronne z osłonami bocznymi, a także pełną osłonę na twarz.



Noś ochronniki słuchu – Podczas pracy urządzeniem należy zawsze nosić ochronniki słuchu.



Noś kask ochronny – Aby chronić głowę, należy nosić atestowany kask ochronny.



Nie należy montować okrągłych tarcz tnących.



Szerokość – Maks. szerokość koszenia podkaszarką



Należy zawsze pilnować, aby inni ludzie i zwierzęta domowe pozostawali w odległości co najmniej 15 m od pracującej podkaszarki.



Ten produkt jest zgodny z obowiązującymi dyrektywami WE.



Zużytych wyrobów elektrycznych nie należy wyrzucać razem ze zwykłymi odpadami domowymi. Należy je oddać do autoryzowanego punktu recyklingu.

V Napięcie

.../min Na minutę

kg Kilogram

SYMBOLE BEZPIECZEŃSTWA

⚠ OSTRZEŻENIE: Praca elektronarzędziami może spowodować wyrzucenie ciał obcych w oczy użytkownika, co może doprowadzić do poważnych urazów oczu. Przed rozpoczęciem pracy elektronarzędziem należy zawsze założyć gogle ochronne lub okulary z osłonami bocznymi, a w stosownych przypadkach także pełną osłonę na twarz. Zalecamy nakładanie na zwykłe okulary maski zabezpieczającej o szerokim polu widzenia lub stosowanie standardowych okularów zabezpieczających z osłonami bocznymi.



Aby ograniczyć ryzyko urazów, użytkownik musi przeczytać instrukcję operatora.



Noś obuwie ochronne – Podczas używania urządzenia należy nosić obuwie ochronne z podeszwami antypoślizgowymi.



Noś rękawice ochronne – Na czas prac przy ostrzu i osłonie ostrza należy zabezpieczyć ręce rękawicami.



Uwaga na możliwość odbicia ostrza – Operatora należy ostrzec o ryzyku związanym z szarpnięciem ostrza.



Średnica – Średnica nylonowej żyłki tnącej



Przedmioty wyrzucone w powietrze mogą odbić się rykoszetem i doprowadzić do urazów lub strat materialnych. Należy zawsze pilnować, aby inni ludzie oraz zwierzęta domowe pozostawali w z dala od pracującej kosi do zarosli.



Nie należy używać w deszczu, nie zostawiać na dworze podczas deszczu.



Produkt jest zgodny z obowiązującym ustawodawstwem Wielkiej Brytanii.



Gwarantowany poziom mocy akustycznej. Emisja hałasu do środowiska zgodnie z dyrektywą Wspólnoty Europejskiej.

n_0

Prędkość bez obciążenia-Prędkość obrotowa bez obciążenia



Prąd stały

PL

SPECYFIKACJA

| | | |
|--|--|--|
| Napięcie | 56 V $\overline{\text{---}}$ | |
| Prędkość bez obciążenia | Duża prędkość: 6500 /min Mała prędkość: 5200 /min | |
| Mechanizm tnący | Głowica-uderzak | |
| Typ żyłki do koszenia | 2,0mm Nylon twist line | |
| Szerokość koszenia | 33 cm | |
| Zalecana temperatura pracy | 0°C-40°C | |
| Zalecana temperatura składowania | -20°C-70°C | |
| Waga (bez akumulatora) | 2,76 kg | |
| Zmierzony poziom mocy akustycznej L_{WA} | 92,1 dB(A) K=1,6 dB(A) | |
| Maksymalna poziom ciśnienia akustycznego przy uchu operatora L_{PA} | 72,6 dB(A) K=2,5 dB(A) | |
| Gwarantowany poziom mocy akustycznej L_{WA} (zmierzony zgodnie z dyrektywą 2000/14/WE) | 94 dB(A) | |
| Drgania a_h | Przedni uchwyt pomocniczy | 3,3 m/s ² K=0,9 m/s ² |
| | Uchwyt tylny | 1,9 m/s ² K=1,5 m/s ² |

- Deklarowana całkowita wartość drgań została zmierzona zgodnie ze standardowymi metodami testowania i może służyć do porównywania różnych narzędzi.
- Deklarowana całkowita wartość drgań może również służyć do wstępnej oceny narażenia na drgania.

UWAGA: W zależności od sposobu eksploatacji, emisja wibracji podczas faktycznego użytkowania elektronarzędzia może się różnić od wartości deklarowanej. Aby chronić operatora, w rzeczywistych warunkach użytkowania użytkownik powinien nosić rękawice i nauszki ochronne.

LISTA ELEMENTÓW W OPAKOWANIU (Rys. A1)

OPIS

ZAPOZNANIE SIĘ Z PODKASZARKĄ (Rys. A1)

1. Przycisk spustowy
2. Uchwyt tylny
3. Dźwignia odblokowująca
4. Przełącznik prędkości

92

5. Miękka tuleja
6. Regulowany przedni uchwyt pomocniczy
7. Głowica-uderzak (głowica tnąca)
8. Uderzak
9. Ostrze d cięcia żyłki
10. Osłona
11. Mechanizm odłączania
12. Styki elektryczne
13. Zatrask
14. Przycisk wyjmowania akumulatora

MONTAŻ

ROZSUWANIE TRZONKA

⚠ OSTRZEŻENIE: Aby nie dopuścić do przytrażenia dłoni lub palców, nie należy trzymać trzonka na połączeniach.

⚠ OSTRZEŻENIE: Do momentu zablokowania trzonka nie należy próbować włączyć urządzenia. Delikatnie rozsunąć trzonek, a jednocześnie pilnować, aby przewód wewnątrz trzonka nie został uszkodzony. Dokręcić dwie śruby dostarczonym kluczem, aby zablokować trzonek (Rys. B1 i B2).

MONTAŻ OSŁONY

Wyrównać otwory mocujące względem otworów montażowych i przykręcić osłonę na trzonku dwiema śrubami. Upewnić się, że osłona jest zamocowana zgodnie z Rys. C, jakiegokolwiek rodzaju montaż odwrotną stroną stanowi poważne zagrożenie!

MOCOWANIE I REGULACJA PRZEDNIEGO UCHWYTU POMOCNICZEGO

Wcisnąć przedni uchwyt pomocniczy na trzonek (Rys. E), następnie włożyć blok zaciskowy do szczeliny uchwytu (Rys. F), zamocować trzonek blokującą, zablokować nakrętką motylkową (Rys. G). Kolejność jest taka jak pokazano na Rys. D. Na koniec wyregulować położenie ramienia przedniego w taki sposób, aby podczas pracy mieć wyprostowane ramię (Rys. H). Zablokować dźwignię blokującą trzonek (Rys. I).

Rys. D i H opis części patrz poniżej:

| | | | |
|-----|-----------------------------------|-----|--------------------------|
| D-1 | Передняя вспомогательная рукоятка | D-4 | Барашковая гайка |
| D-2 | Фиксатор | H-1 | Мягкая накладка |
| D-3 | Зажимной блок | H-2 | Предупреждающая этикетка |

UWAGA: Przedni uchwyt pomocniczy należy zawsze skierować do góry w stronę górnej części uchwytu.

⚠ OSTRZEŻENIE: Przedni uchwyt pomocniczy należy zamocować przed miękką tuleją na trzonku.

⚠ OSTRZEŻENIE: Narzędzia nie można używać bez przedniego uchwytu pomocniczego.

UŻYTKOWANIE

⚠ OSTRZEŻENIE: Nie wolno dopuścić do tego, aby znajomość narzędzia doprowadziła do nieuwagi. Należy pamiętać, że do spowodowania poważnych obrażeń wystarczy zaledwie chwila nieuwagi.

⚠ OSTRZEŻENIE: Należy zawsze nosić okulary ochronne z osłonami bocznymi. Ponadto należy też nosić naszuszki ochronne. Nieprzestrzeganie tego zalecenia może doprowadzić do poważnych obrażeń oczu odłamkiem lub skrawkiem materiału wyrzuconym przez pracujące narzędzie, a także grozi innymi możliwymi urazami.

⚠ OSTRZEŻENIE: Nie należy używać końcówek lub akcesoriów innych niż zalecane przez producenta produktu. Używanie przystawek lub akcesoriów innych niż zalecane może doprowadzić do poważnych obrażeń.

⚠ OSTRZEŻENIE: Podkaszarki wyposażonej w odpowiednią żyłkę tnącą należy używać wyłącznie do koszenia trawy i podobnych materiałów.

Urządzenia można używać wyłącznie do celów podanych poniżej:

Wycinanie: usuwanie trawy i chwastów przy ścianach, płotach, drzewach i na brzegach.

Koszenie: koszenie trawy w miejscach trudno dostępnych dla zwykłej kosiarki.

UWAGA: Narzędzia należy używać tylko do celów zgodnych z przeznaczeniem. Wszelkie inne zastosowania, np. przycinanie krawędzi, uznaje się za niezgodne z przeznaczeniem.

ZAKŁADANIE/WYJMOWANIE AKUMULATORA

Naladować przed pierwszym użyciem.

W urządzeniu należy używać wyłącznie akumulatorów i ładowarek podanych na rys. A2.

Zakładanie

Należy wyrównać żeberka akumulatora względem szczelin mocujących i wsunąć akumulator do ładowarki aż da się słyszeć kliknięcie. (Rys. J)

Wymywanie

Wcisnąć przycisk wymowywania akumulatora i wysunąć akumulator tak jak na Rys. K.

TRZYMANIE PODKASZARKI

⚠ OSTRZEŻENIE: Aby ograniczyć ryzyko obrażeń, podczas pracy narzędziem należy nosić odpowiednią odzież. Nie należy nosić luźnych ubrań ani biżuterii. Należy nosić środki ochrony oczu i ochronniki słuchu. Należy nosić ciężkie długie spodnie, solidne buty i rękawice. Nie należy nosić krótkich spodni i sandałów, nie należy też używać narzędzia na bosą.

Przed włączeniem podkaszarkę należy trzymać oburącz, jedną ręką za uchwyt tylny, a drugą ręką (wyprostowaną) za pomocniczy uchwyt przedni. (Rys. L). Następnie należy sprawdzić, czy podłoże, na którym się stoi jest stabilne i czy narzędzie umożliwi uzyskanie odpowiedniej wysokości koszenia bez pochylania się operatora.

WŁĄCZANIE/WYŁĄCZANIE PODKASZARKI

Włączanie

Należy wcisnąć i przytrzymać dźwignię odblokowującą. Nacisnąć przycisk spustowy podkaszarki tak jak na Rys. M.

Wyłączanie

Wystarczy puścić dźwignię odblokowującą i przycisk spustowy.

UWAGA: Silnik ma dwie prędkości cięcia, pozycja „1” do pracy z małą prędkością i pozycja „2” do dużej prędkości, tak jak na Rys. M. W czasie koszenia wystarczy przestawić przełącznik prędkości w odpowiednią pozycję.

Rys. M opis części patrz poniżej:

| | |
|-----|-----------|
| M-1 | Pozycja 1 |
| M-2 | Pozycja 2 |

⚠ OSTRZEŻENIE: W czasie przerw w pracy i po zakończeniu pracy należy zawsze wyjmować akumulator z podkaszarki.

UŻYWANIE PODKASZARKI

⚠ OSTRZEŻENIE: Aby uniknąć poważnych obrażeń ciała, podczas używania narzędzia należy zawsze nosić gogle lub okulary ochronne. Podczas pracy przy silnym zapyleniu należy nosić osłonę na twarz lub maskę przeciwpyłową.

Przed każdym użyciem narzędzia należy uprzątnąć teren pracy. Usunąć wszystkie przedmioty takie jak kamienie, potłuczone szkło, gwoździe, kawałki drutu lub sznurka itp., które mogą zostać wyrzucone w powietrze lub mogą zaplątać się w końcówkę tnącą. Z terenu, który ma zostać skoszony wyprosić dzieci i osoby postronne oraz wygonić zwierzęta. Jako minimum dzieci i osoby postronne oraz zwierzęta muszą znajdować się w odległości 15m, jednak taka odległość nadal nie eliminuje całkowicie ryzyka trafienia wyrzucenymi w powietrze przedmiotami. Osoby postronne

należy zachęcać do noszenia okularów ochronnych. Jeśli do użytkownika zbliży się jakaś osoba, należy natychmiast wyłączyć silnik i zatrzymać narzędzie tnące.

Przed każdym użyciem należy sprawdzić, czy jakieś części nie są uszkodzone lub zużyte

Należy skontrolować głowicę-uderzak, osłonę i przedni uchwyt pomocniczy oraz wymienić części pęknięte, wypaczone, skrzywione lub uszkodzone w jakikolwiek sposób.

Ostrze do żyłki tnącej na krawędzi osłony może się z czasem stępić. Zaleca się je okresowo ostrzyć pilnikiem lub wymienić na nowe.

⚠ OSTRZEŻENIE: Na czas mocowania osłony lub ostrzenia/wymieniania ostrza należy zawsze zakładać rękawice. Należy uważać na ostrze na osłonie – ryzyko skałeczenia dłoni.

Po każdym użyciu należy wyczyścić podkaszarkę.

⚠ OSTROŻNIE: Zanieczyszczenia w otworach wentylacyjnych uniemożliwiają dopływ powietrza do obudowy silnika i w efekcie prowadzą do przegrzania się i uszkodzenia silnika.

- Do czyszczenia narzędzia należy używać wyłącznie łagodnego mydła i wilgotnej ściereczki. Do środka urządzenia nie mogą się dostać żadne płyny, nie wolno też zanurzać części urządzenia w jakiegokolwiek cieczy.
- Otwory wentylacyjne w obudowie silnika i trzonek nie mogą być nigdy zabrudzone

⚠ OSTRZEŻENIE: Do czyszczenia podkaszarki nigdy nie należy używać wody. Podczas czyszczenia części plastikowych należy unikać używania rozpuszczalników. Pod wpływem działania różnego rodzaju dostępnych w handlu rozpuszczalników większość tworzyw sztucznych ulega uszkodzeniu. Do usuwania zabrudzeń, kurzu, oleju, smaru itp. należy używać czystych ściereczek.

REGULACJA DŁUGOŚCI ŻYŁKI TNĄCEJ

Głowica-uderzak pozwala operatorowi wysuwać więcej żyłki bez wyłączenia silnika. Żyłka strzępi się i zużywa, dodatkową żyłkę można wysunąć lekko uderzając głowicą w ziemię w czasie, gdy podkaszarka pracuje (patrz Rys. N).

UWAGA: Im krótsza żyłka, tym trudniejsze staje się jej wysuwanie.

⚠ OSTRZEŻENIE: Nie należy demontować lub przerabiać ostrza do żyłki. Zbyt długa żyłka prowadzi do przegrzewania się silnika i może spowodować poważne urazy ciała.

WYMIANA ŻYŁKI

UWAGA: Należy zawsze używać nylonowej żyłki tnącej zalecanego typu, o średnicy nieprzekraczającej 2,0 mm. Używanie żyłki innego typu może prowadzić do przegrzewania się kosy do zarośli i spowodować jej uszkodzenie.

⚠ OSTRZEŻENIE: Nigdy nie należy używać żyłek wzmocnionych metalem, drutów, sznurków itp. Mogą się one ułamać i zmienić w niebezpieczne pociski.

Żyłkę tnącą można wymieniać na dwa sposoby:

1. Nawinąć na szpulę nową żyłkę.
2. Złożyć szpulę z żyłką nawiniętą fabrycznie (AS1302, w razie potrzeby, dostępne u sprzedawcy).

Nawijanie na szpulę nowej żyłki

Wcisnąć dwa wypustki odblokowujące w podstawie szpuli i wysunąć osłonę mocującą szpulę na zewnątrz (Rys. O). Przygotować około 5m nowej żyłki tnącej. Nawinąć ją na szpulę tak jak pokazano na Rys. P i Q. Następnie przełożyć końce żyłki przez dwa naprzeciwległe nacięcia w szpuli (Rys. R) i założyć szpulę z powrotem w jej osłonie mocującej z nacięciami ustawionymi równo z otworami w osłonie (Rys. T). Na koniec, wyrównać szczeliny w osłonie mocującej z wypustkami na podstawie szpuli i równo wcisnąć osłonę mocującą w dół, tak aby zatrasnęła się w obudowie (Rys. S).

UWAGA: Przed zamontowaniem w głowicy podkaszarki osłonę mocującą szpuli, szpulę i podstawę szpuli należy najpierw zawsze wyczyścić. Osłonę mocującą szpuli, szpulę i podstawę szpuli należy skontrolować pod kątem zużycia. W razie potrzeby zużyte części należy wymienić.

UWAGA: Nawinięcie żyłki w niewłaściwą stronę spowoduje, że głowica podkaszarki będzie działała nieprawidłowo.

Instalowanie szpuli z żyłką nawiniętą fabrycznie

Wcisnąć dwa wypustki odblokowujące w podstawie szpuli i wysunąć osłonę mocującą szpuli na zewnątrz (Rys. O). Następnie założyć szpulę z żyłką nawiniętą fabrycznie do osłony mocującej szpuli z wypustkami ustawionymi równo z otworami w osłonie (Rys. T). Na koniec, wyrównać szczeliny w osłonie mocującej z wypustkami na podstawie szpuli i równo wcisnąć osłonę mocującą w dół, tak aby zatrasnęła się w obudowie (Rys. S).

Rys. S i T opis części patrz poniżej:

| | | | |
|-----|--------|-----|-----------|
| S-1 | Зажим | T-1 | Паз |
| S-2 | Разъем | T-2 | Отверстие |

UWAGA: Należy upewnić się, że wypustki na podstawie szpuli zaskoczyły na miejsce, inaczej szpula odcepi się w czasie pracy.

KONSERWACJA

⚠ OSTRZEŻENIE: Podczas serwisowania należy używać wyłącznie części zamiennych identycznych z oryginalnymi. Maszynę należy regularnie kontrolować i konserwować. Aby zagwarantować bezpieczeństwo i niezawodność, wszystkie naprawy powinny być wykonywane przez wykwalifikowanych techników serwisu.

⚠ OSTRZEŻENIE: Narzędzia akumulatorowe nie wymagają podłączenia do kontaktu elektrycznego i dlatego są zawsze gotowe do pracy. Aby zapobiec poważnym urazom ciała, podczas wykonywania czynności konserwacyjnych, w czasie serwisowania lub wymiany końcówek tnących lub innych należy stosować dodatkowe środki ostrożności.

⚠ OSTRZEŻENIE: Aby uniknąć poważnych obrażeń ciała, przed serwisowaniem, czyszczeniem, wymianą osprzętu dodatkowego i należy zawsze wyjmować z narzędzia akumulator.

CZYSZCZENIE URZĄDZENIA

- Wyrób należy czyścić wilgotną ściereczką i łagodnym detergentem.
- Do czyszczenia części plastikowych lub uchwytu nie należy używać jakichkolwiek silnych detergentów. Mogą one zostać uszkodzone przez niektóre olejki aromatyczne, takie jak olejek sosnowy i cytrynowy oraz przez rozpuszczalniki takie jak nafta. Wilgoć może także spowodować porażenie prądem. Wszelką wilgoć należy wycierać miękką suchą ściereczką.
- Do czyszczenia otworów wentylacyjnych i usuwania zanieczyszczeń z tylnej części obudowy należy używać małej szczoteczki lub małego odkurzacza.

PRZECHOWYWANIE URZĄDZENIA

- Gdy podkaszarka nie będzie używana, należy wyjąć z niej akumulator.
- Przed schowaniem narzędzie należy dokładnie wyczyścić.

- Urządzenie należy przechowywać w suchym i dobrze wentylowanym miejscu niedostępnym dla dzieci: albo pod kluczem, albo wystarczająco wysoko. Urządzenia nie należy używać na nawozach lub w ich pobliżu, to samo dotyczy podłoża zanieczyszczonych benzyną i substancjami chemicznymi.

Ochrona środowiska



Urządzeń elektrycznych, zużytych akumulatorów i ładowarki nie należy wyrzucać do zwykłych zmieszanych śmieci domowych! Produkt należy oddać do zbiórki selektywnej w autoryzowanym punkcie recyklingu. Narzędzia elektryczne należy oddawać do zakładów recyklingu przyjaznych dla środowiska.

ROZWIĄZYWANIE PROBLEMÓW

| PROBLEM | PRZYCZYNA | ROZWIĄZANIE |
|---|---|---|
| Podkaszarka nie włącza się. | <ul style="list-style-type: none"> ■ Do podkaszarki nie włożono akumulatora. ■ Podkaszarka i akumulator nie kontaktują. ■ Akumulator jest rozładowany. ■ Dźwignia odblokowująca i przełącznik spustowy nie zostały wcisnięte jednocześnie. | <ul style="list-style-type: none"> ■ Włożyć akumulator do podkaszarki. ■ Wyjąć akumulator, sprawdzić styki i założyć akumulator z powrotem. ■ Naładować akumulator. ■ Aby włączyć podkaszarkę, należy wcisnąć i przytrzymać dźwignię odblokowującą, a następnie nacisnąć przełącznik spustowy. |
| Podkaszarka wyłącza się podczas koszenia. | <ul style="list-style-type: none"> ■ Na podkaszarce nie ma zamontowanej osłony, przez co żyłka jest za długa i dochodzi do przeciążenia silnika. ■ Używana jest ciężka żyłka. ■ Walek silnika lub głowica podkaszarki są zapchane trawą. ■ Silnik jest przeciążony. ■ Akumulator lub podkaszarka jest zbyt gorący/-a. ■ Akumulator jest odłączony od narzędzia. ■ Akumulator jest rozładowany. | <ul style="list-style-type: none"> ■ Wyjąć akumulator i zamocować osłonę w podkaszarce. ■ Używać wyłącznie żyłki nylonowej o średnicy 2,0mm lub cieńszej. ■ Zatrzymać podkaszarkę, wyjąć akumulator i usunąć trawę z walka silnika i głowicy podkaszarki. ■ Wyjąć głowicę podkaszarki z trawy. Gdy tylko obciążenie zostanie usunięte, silnik wznowi pracę. Podczas koszenia przesuwać głowicę podkaszarki w koszoną trawę i wysuwać ją z niej, nie więcej niż o 20cm długości w jednym cięciu. ■ Pozwolić, aby akumulator lub podkaszarka ostygły do temperatury poniżej 67°C. ■ Ponownie założyć akumulator. ■ Naładować akumulator. |

PL

| PROBLEM | PRZYCZYNA | ROZWIĄZANIE |
|--|--|---|
| Głowica podkaszarki nie wysuwa żyłki. | <ul style="list-style-type: none"> ■ Walek silnika lub głowica podkaszarki są zapchane trawą. ■ W szpuli jest za mało żyłki. ■ Głowica podkaszarki jest zabrudzona. ■ Żyłka zaplątała się w szpuli. ■ Żyłka jest za krótka. | <ul style="list-style-type: none"> ■ Zatrzymać podkaszarkę, wyjąć akumulator i usunąć trawę z wałka silnika i głowicy podkaszarki. ■ Wyjąć akumulator i wymienić żyłkę tnącą; patrz część „WYMIANA ŻYŁKI” w niniejszej instrukcji. ■ Wyjąć akumulator i wyczyścić szpulę, osłonę mocującą szpulę i podstawę szpuli. ■ Wyjąć akumulator, wyjąć żyłkę ze szpuli i przewinąć; patrz część „WYMIANA ŻYŁKI” w niniejszej instrukcji. ■ Wyjąć akumulator i pociągnąć żyłki, a jednocześnie na przemian wciskać i puszczać uderzak. |
| Trawa owija się wokół głowicy podkaszarki i obudowy silnika. | <ul style="list-style-type: none"> ■ Koszenie wysokiej trawy tuż przy ziemi. | <ul style="list-style-type: none"> ■ Wysoką trawę kosić od góry ku dołowi, za jednym razem skracać źdźbła nie więcej niż o 20cm, aby nie dopuścić do owijania się trawy wokół głowicy. |
| Żyłka nie tnie w prawidłowy sposób. | <ul style="list-style-type: none"> ■ Ostrze do żyłki tnącej na krawędzi osłony stępiło się. | <ul style="list-style-type: none"> ■ Naostrzyć pilnikiem ostrze do przycinania żyłki tnącej lub wymienić je na nowe. |

GWARANCJA

POLITYKA GWARANCYJNA EGO

W celu zapoznania się z wszystkimi warunkami polityki gwarancyjnej EGO prosimy odwiedzić stronę egopowerplus.com.

PŘEČTĚTE SI VŠECHNY POKYNY!



PŘEČTĚTE SI NÁVOD K OBSLUZE

VAROVÁNÍ: Zbytkové riziko! Lidé s elektronickými přístroji, jako jsou např. kardiostimulátory, by se měli před použitím toho výrobku poradit se svým lékařem. Použití elektrického zařízení v těsné blízkosti kardiostimulátoru může způsobit narušení činnosti nebo poruchu kardiostimulátoru.



Bezpečnostní upozornění



Používejte ochranu očí výrobku vždy noste ochranné brýle, ochranné brýle s bočními kryty nebo obličejový štít.



Používejte ochranu sluchu. výrobkem vždy používejte chrániče sluchu.



Používejte ochranu hlavy. K ochraně hlavy použijte schválenou pevnou ochrannou přilbu.



Neinstalujte kulaté řezací čepele.



Max. šířka sekání strunové sekačky



Když strunovou sekačku používáte, udržujte od ostatních osob a domácích zvířat bezpečnou vzdálenost aspoň 15 m.



Tento výrobek je v souladu s platnými směrnici ES.



Odpadní elektrické výrobky se nesmí likvidovat s domovním odpadem. Odevzdejte je do autorizovaného recyklačního střediska.

V Napětí

.../min Za minutu

kg Kilogram

BEZPEČNOSTNÍ SYMBOLY

VAROVÁNÍ: Při použití elektrického nářadí může dojít k vymrštění cizích těles do očí, což může způsobit jejich závažné poškození. Před použitím elektrického nářadí si vždy nasadte ochranné brýle, ochranné brýle s bočními kryty nebo v případě potřeby obličejový štít. Na brýle nebo standardní ochranné brýle s bočními kryty doporučujeme použít ochrannou masku.



Z důvodu snížení rizika úrazu si musí uživatel přečíst návod k obsluze.



Používejte ochrannou obuv. Při použití tohoto výrobku noste protiskluzovou bezpečnostní obuv.



Používejte ochranné rukavice. Chraňte své ruce rukavicemi při manipulaci s čepelí nebo chráničem čepele.



Dejte si pozor na zpětný ráz. Upozorněte obsluhu na nebezpečí zpětného rázu.



Průměr nylonové žací struny



Vymrštěné objekty se mohou odrazit a mít za následek zranění osob nebo poškození majetku. Když křovinořez používáte, udržujte od ostatních osob a domácích zvířat bezpečnou vzdálenost.



Nepoužívejte ani nenechávejte venku na dešti.



Tento výrobek je v souladu s příslušnou britskou legislativou.



Garantovaná hladina akustického výkonu. Emise hluku do prostředí dle direktivy Evropského společenství.

n_0 Rychlost při chodu naprázdno-Otáčky při chodu naprázdno

☰ Stejnoseměrný proud

SPECIFIKACE

| | | |
|--|---------------------------------------|--------------------------------|
| Napětí | 56 V $\overline{\text{---}}$ | |
| Rychlost při chodu naprázdno | Vysoké: 6500 /min Nizké: 5200 /min | |
| Žací mechanismus | Strunová hlava | |
| Typ žací struny | 2.0mm Nylonové lanko twist | |
| Šířka sekání | 33 cm | |
| Doporučovaná provozní teplota | 0°C-40°C | |
| Doporučovaná teplota skladování | -20°C-70°C | |
| Hmotnost nůžek (bez akumulátoru) | 2,76 kg | |
| Měřená hladina akustického výkonu L_{WA} | 92,1 dB(A) $K=1,6$ dB(A) | |
| Maximální hladina akustického tlaku na sluch obsluhy L_{PA} | 72,6 dB(A) $K=2,5$ dB(A) | |
| Zaručená úroveň akustického výkonu L_{WA} (měřeno podle směrnice 2000/14/ES) | 94 dB(A) | |
| Vibrace a_h | Přední pomocná rukojeť | 3,3 m/s^2 $K=0,9$ m/s^2 |
| | Zadní rukojeť | 1,9 m/s^2 $K=1,5$ m/s^2 |

- Celková deklarovaná hodnota vibrací byla naměřena podle standardní zkušební metody a lze ji použít ke srovnání s jiným nářadím;
- Celkovou deklarovanou hodnotu vibrací lze použít také k předběžnému stanovení expozičních limitů.

POZNÁMKA: Emise vibrací při konkrétním použití elektrického nářadí se mohou lišit od deklarované hodnoty, při které se nářadí používá; z důvodu ochrany provozovatele by měl uživatel ve skutečných pracovních podmínkách nosit rukavice a chrániče sluchu.

OBSAH BALENÍ (Obr. A1)

POPIS

SEZNAMTE SE S VAŠÍ STRUNOVOU SEKAČKOU (obr. A1)

1. Spoušť
2. Zadní rukojeť
3. Páka pojistky
4. Spínač nastavení rychlosti
5. Měkké pouzdro

6. Stavitelná přední pomocná rukojeť
7. Strunová hlava (žací hlava)
8. Regulátor struny
9. Vyzínací kotouč
10. Kryt
11. Uvolňovací mechanismus
12. Elektrické kontakty
13. Západka
14. Tlačítko pro uvolnění akumulátoru

MONTÁŽ

ROZBALENÍ HŘÍDELE

VAROVÁNÍ: Nedržte hřídel za klouby, aby nedošlo k sevření rukou nebo prstů.

VAROVÁNÍ: Nepokoušejte se nastartovat zahradnické nůžky, dokud není hřídel zajištěna. Opatrně rozložte hřídel tak, aby kabel zůstal uvnitř hřídele a zajistěte jej dvěma šrouby dodaným klíčem (obr. B1 a B2).

MONTÁŽ KRYTU

Srovnějte upevňovací otvory krytu s montážními otvory a upevněte kryt ke spodní části hřídele s pomocí dvou šroubů. Zkontrolujte, zda je kryt upevněn podle obr. C, obrácené upevnění představuje vysoké riziko!

MONTÁŽ A NASTAVENÍ PŘEDNÍ POMOČNÉ RUKOJETI

Nasaďte přední pomocnou rukojeť na hřídel (obr. E), vložte upínací blok do otvoru rukojeti (obr. F), namontujte pojistnou tyč a zajistěte křídlovou maticí (obr. G). Postup je znázorněn na obr. D. Nakonec nastavte polohu přední pomocné rukojeti tak, aby byla vaše při použití sekačky natažená (obr. H) a zajistěte páčku zámku tyče (obr. I).

Obr. D a H, následuje popis dílů:

| | | | |
|-----|------------------------|-----|------------------|
| D-1 | Přední pomocná rukojeť | D-4 | Křídlová matice |
| D-2 | Pojistná tyč | H-1 | Měkké pouzdro |
| D-3 | Upínací blok | H-2 | Výstražný štítek |

POZNÁMKA: Přední pomocná rukojeť musí být natočena vzhůru tak, aby směřovala k horní části rukojeti.

VAROVÁNÍ: Přední pomocnou rukojeť upevňujte výhradně před měkké pouzdro na hřídeli.

VAROVÁNÍ: Nářadí nelze používat bez spolehlivě upevněné přední pomocné rukojeti.

GZ

POUŽITÍ

VAROVÁNÍ: Dbejte, abyste se po seznámení s výrobkem nestali neopatrní. Nezapomínejte, že stačí chvilka nepozornosti a může se stát vážný úraz.

VAROVÁNÍ: Vždy používejte ochranu očí s bočními kryty. Spolu s chráničem sluchu. Pokud tak neučiníte, může dojít k vyvrstvení předmětu do očí, nebo případně jiným vážným úrazům.

VAROVÁNÍ: Nepoužívejte nástavce nebo příslušenství, které nedoporučuje výrobce tohoto výrobku. Použití nedoporučených nástavců a příslušenství může vést k vážnému úrazu.

VAROVÁNÍ: Strunovou sekačku vybavenou vhodnou strunou používejte výhradně k sekání trávy a podobných materiálů.

Výrobek lze použít k následujícím účelům:

Zarovnaní: slouží k odstranění trávy a plevele u zdí, plotů, stromů a obrubníků.

Sekání: slouží k sekání trávy, která je pro běžnou sekačku obtížně dostupná.

POZNÁMKA: Nářadí se smí používat pouze k vyhrazenému účelu. Jakékoli jiné použití, např. úprava rohů, se považuje za nesprávné.

INSTALACE/VYJMUTÍ AKUMULÁTORU

Před prvním použitím akumulátor nabijte.

Používejte pouze akumulátory a nabíječky uvedené na obr. A2.

Instalace

Srovnejte žebrovaní akumulátoru s instalačními drážkami a tlačte baterii dokud neuslyšíte „kliknutí“. (obr. J)

Vyjmutí

Stiskněte tlačítko pro uvolnění akumulátoru a vytáhněte jej, jak je znázorněno na obr. K.

JAK DRŽET STRUNOVOU SEKAČKU

VAROVÁNÍ: Pro práci s tímto nářadím se vhodně oblékněte, abyste snížili riziko úrazu. Nenoste volný oděv ani šperky. Používejte ochranu očí a chrániče sluchu. Noste odolné, dlouhé kalhoty, pevné boty a rukavice. Nenoste krátké kalhoty, sandály ani nechoďte bosí.

Před spuštěním držte sekačku oběma rukama, jednou rukou za zadní rukojeť a druhou, která musí být natažená (obr. L) za přední pomocnou rukojeť. Zkontrolujte vyvážený

postoj a správnou žací vzdálenost, aniž by se musela obsluha překloubit.

SPUŠTĚNÍ/VYPNUTÍ STRUNOVÉ SEKAČKY

Spuštění

Stlačte páku pojistky a držte ji v této poloze. Stisknutím spouště zapnete strunovou sekačku, jak je znázorněno na obr. M.

Zastavení

Uvolněte páku pojistky a spoušť.

POZNÁMKA: Motor má dvě rychlosti pro sekání, polohu „1“ pro nižší rychlost a polohu „2“ pro vyšší rychlost, jak je znázorněno na obr. M. Stačí při sekání přepnout spínač nastavení rychlosti do příslušné polohy.

Obr. M, následuje popis dílů:

| | |
|-----|----------|
| M-1 | Poloha 1 |
| M-2 | Poloha 2 |

VAROVÁNÍ: Při přestávce a po skončení práce vždy vyjměte akumulátor ze strunové sekačky.

POUŽITÍ STRUNOVÉ SEKAČKY

VAROVÁNÍ: Aby nedošlo k vážnému úrazu, používejte vždy při práci s tímto nářadím ochranné brýle. V prašném prostředí používejte ochrannou masku nebo protiprachový respirátor.

Před každým použitím m vyčistěte prostor, kde budete stříhat. Odstraňte veškeré předměty, jako jsou např. kameny, rozbité sklo, hřebíky, dráty nebo provazy, které mohou být vrženy, nebo se mohou do žacího nástavce zaplést. Z prostoru vyžeňte děti, ostatní osoby a domácí zvířata. Minimální bezpečná vzdálenost pro děti, ostatní osoby a domácí zvířata je 15m; stále však hrozí riziko zasažení ostatních osob vyvrstvenými předměty. Ostatním osobám doporučte použití ochrany očí. Pokud se k vám někdo blíží, okamžitě vypněte motor a žací nástavec.

Před každým použitím zkontrolujte poškození/opotřebení dílů

Zkontrolujte strunovou hlavu, kryt, přední pomocnou rukojeť a vyměňte díly, které jsou prasklé, zdeformované, ohnuté nebo jinak poškozené.

Vyžínací kotouč na okraji krytu se může časem ztupit. Doporučujeme vyžínací kotouč pravidelně brousit pilníkem, nebo jej vyměnit za nový.

VAROVÁNÍ: Při montáži krytu, broušení nebo výměně kotouče vždy používejte rukavice. Pozor na nůž na krytu, chraňte si ruce před pořezáním.

CZ

Po každém použití sekačku vyčistěte.

⚠ UPOZORNĚNÍ: Překážky ve větracích otvorech zabrání proudění vzduchu do pouzdra motoru, což povede k přehřátí nebo poškození motoru.

- K čištění nářadí použijte pouze neagresivní mýdlo a vlhký hadr. Dbejte, aby do nářadí nepronikla žádná kapalina; žádný díl tohoto nářadí nikdy neponořujte do kapaliny.
- Udržujte větrací otvory pouzdra motoru a hřídele vždy v čistotě

⚠ VAROVÁNÍ: K čištění nůžek nikdy nepoužívejte vodu. K čištění plastových dílů nepoužívejte rozpouštědla. Většina plastů je náchylná k poškození různými typy komerčních rozpouštědel. K odstranění nečistot, prachu, oleje, maziva atd. použijte čistý hadr.

NASTAVENÍ DÉLKY ŽACÍ STRUNY

Strunová hlava umožňuje obsluhu více vysunout žací strunu bez zastavení motoru. Když se struna roztřepí nebo opotřebí, lze vysunout další část struny lehkým poklepáním na regulátoru struny o zem při práci se sekačkou (viz obr. N).

POZNÁMKA: Vysouvání struny se stává obtížnějším se zkracováním žací struny.

⚠ VAROVÁNÍ: Nevýjímte ani neupravujte sestavu vyžínacího koutouče. Nadměrná délka struny způsobí přehřátí motoru, což může vést k vážnému úrazu.

VÝMĚNA STRUNY

POZNÁMKA: Vždy použijte doporučenou nylonovou strunu s průměrem, který nepřesahuje 2,0 mm. Použítí jiné struny, než je uvedeno, může způsobit přehřátí nebo poškození strunové sekačky.

⚠ VAROVÁNÍ: Nikdy nepoužívejte kovem vyztužené struny, dráty, šňůry atd. Mohou se odlomit a stát nebezpečnými projektily.

Existují dva způsoby výměny žací struny:

1. Navinout na cívku novou strunu.
2. Instalovat předem navinutou cívku (AS1302, v případě potřeby je k dostání u prodejců).

Navinutí nové struny na cívku

Stiskněte dvě uvolňovací západky na spodní straně cívky a vytáhněte držák cívky (obr. O). Odmotejte přibližně 5m nové žací struny. Přeložte ji a naviňte na cívku, jak je znázorněno na obr. P a Q. Pak provlékněte konce struny dvěma protilehlými zářezy v cívce (obr. R) a nasadte cívku na držák tak, aby byly zářezy vyrovnané s očky (obr. T).

Nakonec srovnějte drážky držáku se západkami na spodní straně cívky a zatlačte držák rovnoměrně dolů tak, aby zapadl na místo (obr. S).

POZNÁMKA: Před montáží hlavy sekačky vždy vyčistěte držák cívky, cívku a spodní část cívky. Zkontrolujte opotřebený držák cívky, cívku a spodní část cívky. V případě potřeby opotřebované díly vyměňte.

POZNÁMKA: Pokud nenavínáte strunu v uvedeném směru, nebude hlava sekačky pracovat správně.

Instalace předem navinuté cívky

Stiskněte dvě uvolňovací západky na spodní straně cívky a vytáhněte držák cívky (obr. O). Pak umístěte předem navinutou cívku na držák se zářezy vyrovnanými s očky držáku (obr. T). Nakonec srovnějte drážky držáku se západkami na spodní straně cívky a zatlačte držák rovnoměrně dolů tak, aby zapadl na místo (obr. S).

Obr. S a T, následuje popis dílů:

| | | | |
|-----|---------|-----|-------|
| S-1 | Západka | T-1 | Zářez |
| S-2 | Drážka | T-2 | Očko |

POZNÁMKA: Dbejte, aby západky na spodní straně cívky zapadly na místo, nebo cívka při práci vypadne.

CZ

ÚDRŽBA

⚠ VAROVÁNÍ: Při opravách použijte pouze originální náhradní díly. Pravidelně stroj kontrolujte a udržujte. Z důvodu bezpečnosti by měl všechny opravy provádět kvalifikovaný servisní technik.

⚠ VAROVÁNÍ: Akumulátorové nářadí se nemusí zapojovat do elektrické zásuvky, proto jsou vždy v provozním stavu. Aby nedošlo k vážnému úrazu, věnujte zvýšenou pozornost a pečl údržbě, servisu, výměně žacího nebo jiného nástavce.

⚠ VAROVÁNÍ: Aby nedošlo k vážnému úrazu vyjměte před servisem, čištěním, výměnou nástavců nebo odstraněním materiálu nářadí akumulátor.

ČIŠTĚNÍ NÁŘADÍ

- Nářadí čistěte vlhkým hadrem s neagresivním čisticím prostředkem.
- Na plastové pouzdro nebo rukojeť nepoužívejte žádné silné čisticí prostředky. Mohou být poškozeny některými aromatickými oleji, jako např. borovicovým nebo citronovým a rozpouštědly, jako např. petrolej. Vlhkost může rovněž způsobit riziko úrazu elektrickým proudem. Veškerou vlhkost setřete suchým měkkým hadrem.

- K čištění větracích otvorů od nečistot a překážek na zadní části pouzdra použijte malý kartáč nebo proud vzduchu z malého vysavače.

SKLADOVÁNÍ NÁŘADÍ

- Pokud strunovou sekačku nepoužíváte, vyjměte z ní akumulátor.
- Nářadí před uskladněním řádně vyčistěte.
- Nářadí skladujte na suchém, dobře větraném, uzamčeném nebo vyvýšeném místě mimo dosah dětí. Nářadí neskladujte v blízkosti hnojiv, benzínu nebo jiných chemických látek.

Ochrana životního prostředí



Elektrické zařízení, nabíječku a baterie / nabíjecí baterie nevhazujte do domovního odpadu! Předějte tento výrobek autorizované recyklační společnosti ke tříděnému sběru. Elektrické nářadí musí být vráceno do zařízení k ekologické recyklaci.

ODSTRAŇOVÁNÍ PROBLÉMŮ

| PROBLÉM | PŘÍČINA | ŘEŠENÍ |
|---|--|---|
| Strunová sekačka se nespustí. | <ul style="list-style-type: none"> ■ K sekačce není připojen akumulátor. ■ Bez elektrického kontaktu mezi sekačkou a akumulátorem. ■ Akumulátor je vybitý. ■ Páka pojistky a spoušť nejsou stisknuté současně. | <ul style="list-style-type: none"> ■ Nasadte akumulátor na sekačku. ■ Vyměňte akumulátor, zkontrolujte póly a znovu jej nainstalujte. ■ Nabijte akumulátor. ■ Stlačte páku pojistky, držte ji a stisknutím spouště zapnete strunovou sekačku. |
| Při sekání se strunová sekačka zastaví. | <ul style="list-style-type: none"> ■ Na sekačce není namontovaný kryt, což má za následek příliš dlouhou žací strunu a přetížení motoru. ■ Je použita těžká žací struna. ■ Hřídel motoru nebo strunová hlava jsou zablokované trávou. ■ Motor je přetížen. ■ Akumulátor strunové sekačky je příliš horký. ■ Akumulátor je odpojený od nářadí. ■ Akumulátor je vybitý. | <ul style="list-style-type: none"> ■ Vyměňte ze sekačky akumulátor a namontujte kryt. ■ Používejte výhradně nylonovou žací strunu s průměrem maximálně 2,0mm. ■ Zastavte sekačku, vyměňte akumulátor a odstraňte trávu z hřídele motoru a strunové hlavy. ■ Vytáhněte strunovou hlavu z trávy. Motor začne pracovat, jakmile odstraníte zatížení. Při sekání pohybujte strunovou hlavou v sekané trávě tam a zpět, délka pohybu by neměla přesáhnout délku 20cm v jednom tahu. ■ Nechejte akumulátor nebo sekačku zchladnout, dokud teplota neklesne pod 67 °C. ■ Znovu nainstalujte akumulátor. ■ Nabijte akumulátor. |
| Ze strunové hlavy se nevysouvá struna. | <ul style="list-style-type: none"> ■ Hřídel motoru nebo strunová hlava jsou zablokované trávou. ■ Na cívce není struna v dostatečné délce. ■ Strunová hlava je znečištěná. ■ Struna se na cívce zamotala. ■ Struna je příliš krátká. | <ul style="list-style-type: none"> ■ Zastavte sekačku, vyměňte akumulátor a odstraňte trávu z hřídele motoru a strunové hlavy. ■ Vyměňte baterii a vyměňte strunu; dodržujte pokyny uvedené v části „VÝMĚNA STRUNY“ v tomto návodu. ■ Vyměňte akumulátor, vyčistěte cívku, držák cívky a spodní část cívky. ■ Vyměňte akumulátor, vymotejte strunu z cívky a znovu ji naviňte; dodržujte pokyny uvedené v části „VÝMĚNA STRUNY“ v tomto návodu. ■ Vyměňte baterii, zatáhněte za struny a současně poklepejte na regulátor struny. |

CZ

| PROBLÉM | PŘÍČINA | ŘEŠENÍ |
|--|--|---|
| Kolem strunové hlavy a pouzdra motoru se namotala tráva. | <ul style="list-style-type: none">▪ Sekání vysoké trávy na úrovni terénu. | <ul style="list-style-type: none">▪ Vysokou trávu sekejte shora dolů, pokaždé ne více než 20cm, aby nedocházelo k zamotání. |
| Struna neseče dobře. | <ul style="list-style-type: none">▪ Vyžínací kotouč na okraji krytu se ztupil. | <ul style="list-style-type: none">▪ Nabruste vyžínací kotouč pilníkem nebo jej vyměňte za nový. |

ZÁRUKA

ZÁRUKA SPOLEČNOSTI EGO

Úplné záruční podmínky společnosti EGO naleznete na webové stránce egopowerplus.com.

CZ

PREČÍTAJTE SI VŠETKY POKYNY!



PREČÍTAJTE SI NÁVOD NA OBSLUHU.

VAROVANIE: Zvyškové riziko! Ľudia s elektronickými zariadeniami, napríklad kardiostimulátorom, musia používanie tohto výrobku konzultovať so svojim lekárom. Použitie elektrických zariadení v tesnej blízkosti kardiostimulátora by mohlo spôsobiť rušenie alebo zlyhanie kardiostimulátora.



Bezpečnostné upozornenie



Používajte ochranu zraku. Pri práci s týmto výrobkom vždy nosíte ochranné okuliare alebo ochranné okuliare s postrannými krytmi a celotvárový štít.



Používajte ochranu sluchu. Pri práci s týmto výrobkom vždy používajte ochranu sluchu.



Používajte ochranu hlavy. Používajte schválenú bezpečnostnú prilbu na ochranu hlavy.



Neinštalujte okrúhle rezacie čepele.



Šírka - Max. rezná šírka strunovej kosačky



Zabezpečte, aby ostatní ľudia a domáce zvieratá zostali vo vzdialenosti aspoň 15 m od strunovej kosačky, keď sa používa.



Tento výrobok je v súlade s platnými smernicami ES.



Odpadové elektrické výrobky sa nesmú likvidovať spolu s domovým odpadom. Odovzdajte do autorizovaného recyklačného strediska.

V Napätie

.../min Za minútu

kg Kilogram

BEZPEČNOSTNÉ SYMBOLY



VAROVANIE: Prevádzka akéhokoľvek elektrického náradia môže viesť k vymršteniu cudzích predmetov do vašich očí, čo môže spôsobiť vážne poškodenie zraku. Predtým, než začnete používať elektrické náradie, si vždy nasadte ochranné okuliare alebo ochranné okuliare s postrannými krytmi a prípadne celotvárový štít. Odporúčame použiť bezpečnostnú masku so širokým prizorom na okuliare alebo štandardné bezpečnostné okuliare s postrannými krytmi.



Používateľ si musí prečítať návod na obsluhu, aby znížil riziko úrazu.



Používajte ochrannú obuv. Pri používaní tohto zariadenia nosíte protišmykovú bezpečnostnú obuv.



Používajte ochranné rukavice. Pri manipulácii s čepeľou alebo chráničom čepele si ruky chráňte rukavicami.



Spätňý ráz - Upozornite obsluhu na nebezpečenstvo spätňého rázu.



Priemer - Priemer nylonovej rezacej struny



Vymrštené objekty sa môžu odraziť a mať za následok zranenie osôb alebo poškodenie majetku. Keď krovinnorez používate, udržujte od ostatných osôb a domácich zvierat bezpečnú vzdialenosť.



Nepoužívajte ani nenechávajte vonku na daždi.



Tento výrobok je v súlade s príslušnou britskou legislatívou.



Garantovaná hladina akustického výkonu. Emisie hluku do prostredia podľa smernice Európskeho spoločenstva.

n_0 Rýchlosť bez zaťaženia-Rýchlosť otáčania, bez záťaže

≡≡≡ Jednosmerný prúd

SK

TECHNICKÉ ÚDAJE

| | | |
|---|---|--|
| Napätie | 56 V $\overline{\text{---}}$ | |
| Rýchlosť naprázdno | Vysoký: 6500 /min Nízky: 5200 /min | |
| Rezací mechanizmus | Strunová hlava | |
| Typ rezacej struny | 2,0mm Nylonové zvrat riadok | |
| Rezná šírka | 33 cm | |
| Odporúčaná prevádzková teplota | 0°C-40°C | |
| Odporúčaná skladovacia teplota | -20°C-70°C | |
| Hmotnosť (bez akumulátora) | 2,76 kg | |
| Hladina akustického výkonu L_{WA} | 92,1 dB(A) K=1,6 dB(A) | |
| Maximálne hladina akustického tlaku pri uchu obsluhy L_{PA} | 72,6 dB(A) K=2,5 dB(A) | |
| Garantovaná hladina akustického výkonu L_{WA} (meraná podľa 2000/14/EC) | 94 dB(A) | |
| Vibrácie a_h | Predná pomocná rukoväť | 3,3 m/s ² K=0,9 m/s ² |
| | Zadná rukoväť | 1,9 m/s ² K=1,5 m/s ² |

- Uvádzaná celková hodnota vibrácií bola meraná v súlade so štandardnou skúšobnou metódou a môže byť použitá na porovnanie jedného zariadenia s iným;
- Uvádzaná celková hodnota vibrácie sa môže použiť aj na predbežný odhad expozície.

POZNÁMKA: Emisia vibrácií pri skutočnom používaní náradia sa môže odlišovať od deklarovanej hodnoty, pri akej sa nástroj používa; Za účelom ochrany obsluhy má používateľ v skutočných podmienkach použitia nosiť rukavice a ochranu sluchu.

OBSAH BALENIA (Obr. A1)

POPIS

SPOZNAJTE VAŠU STRUNOVÚ KOSAČKU (obr. A1)

1. Spúšťač
2. Zadná rukoväť
3. Poistná páčka
4. Prepínač rýchlosti
5. Mäkké puzdro

6. Nastaviteľná predná pomocná rukoväť
7. Strunová hlava (rezacia hlava)
8. Gombík hlavy
9. Strunová čepeľ
10. Chránič
11. Vysunovací mechanizmus
12. Elektrické kontakty
13. Západka
14. Tlačidlo na uvoľnenie batérie

ZOSTAVA

ROZLOŽENIE HRIADELA

VAROVANIE: Nedržte hriadeľ za kĺby, aby nedošlo k zovretiu rúk alebo prstov.

VAROVANIE: Nepokúšajte sa zastríhávač spustiť, kým nie je hriadeľ zaistený. Opatrne rozložte hriadeľ tak, aby kábel zostal vo vnútri hriadeľa a zaistite ho dvoma skrútkami dodaným kľúčom (Obr. B1 a B2).

MONTÁŽ CHRÁNIČA

Zarovnajte montážne otvory chrániča s montážnymi otvormi a pripevnite chránič na základňu hriadeľa s dvoma skrútkami. Zabezpečte, aby bol chránič pripevnený podľa obr. C. Akékoľvek iné upevnenie spôsobí veľké nebezpečenstvo!

MONTÁŽ A NASTAVENIE PREDNEJ POMOCNEJ RUKOVÄTE

Zatlačte prednú pomocnú rukoväť na hriadeľ (obr. E), založte upínací blok do drážky držadla (obr. F), namontujte poistnú páčku a zaistíte s krídlovou maticou (obr. G). Po radije je znázornené na obr. D. Nakoniec nastavte polohu prednej pomocnej rukoväte tak, aby vaša predná ruka bola rovno pri použití kosačky (obr. H) a zaistíte zaistovacou páčkou (obr. I).

Popis dielov na obr. D a H si pozrite nižšie:

| | | | |
|-----|------------------------|-----|-----------------|
| D-1 | Predná pomocná rukoväť | D-4 | Krídlová matica |
| D-2 | Poistná páčka | H-1 | Mäkké puzdro |
| D-3 | Upínací Blok | H-2 | Varovný štítok |

POZNÁMKA: Predná pomocná rukoväť má byť otočená nahor, aby smerovala k hornej časti rukoväte.

VAROVANIE: Prednú pomocnú rukoväť pripevnite len na prednú časť mäkkého puzdra na hriadeľ.

VAROVANIE: Tento nástroj nie je možné používať bez spoľahlivo upevnenej prednej pomocnej rukoväte.

OBSLUHA

VAROVANIE: Nedovoľte, aby ste sa po zoznámení s týmto výrobkom stali neopatrnými. Zapamätajte si, že zlomok sekundy neopatrnosti postačuje na spôsobenie vážneho poranenia.

VAROVANIE: Vždy používajte ochranu zraku s bočnými ochrannými krytmi. Spolu s ochranou sluchu. Ak tak neurobíte, môže dôjsť k vymršteniu predmetov do očí a iným možným vážnym zraneniam.

VAROVANIE: Nepoužívajte žiadne prídavné zariadenia alebo príslušenstvo, ktoré nie sú odporúčané výrobcom tohto výrobku. Používanie prídavných zariadení alebo príslušenstva, ktoré nie sú odporúčané, môže viesť k vážnemu zraneniu.

VAROVANIE: Strunovú kosačku používajte s vhodnou rezacou strunou len na kosenie trávy a podobného materiálu.

Tento výrobok môžete použiť na nižšie uvedené účely:

Kosenie: slúži na odstránenie trávy a buriny pri múroch, ploch, stromoch a okrajoch.

Rezanie: slúži na kosenie trávy, ktorú je ťažké dosiahnuť za použitia normálnej kosačky.

POZNÁMKA: Nástroj sa musí používať len na predpísané účely. Každé iné použitie, napríklad orezávanie okrajov, sa považuje za prípad zneužitia.

INŠTALÁCIA /ODPOJENIE AKUMULÁTORA

Nabite pred prvým použitím.

Používajte iba s akumulátormi a nabíjačkami, ktoré sú uvedené na obr. A2.

Inštalácia

Zarovnajte výčnelky na batérii s montážnymi drážkami a zatlačte akumulátor nadol, kým nebudete počuť „cvaknutie“. (obr. J)

Odpojenie

Stlačte tlačidlo pre uvoľnenie batérie a vytiahnite ju von, ako je znázornené na obr. K.

DRŽANIE STRUNOVEJ KOSAČKY

VAROVANIE: Oblečte sa vhodne pri práci s týmto náradím, aby sa znížilo riziko poranenia. Nenoste šperky alebo voľný odev. Používajte ochranu očí a sluchu. Oblečte si odolné, dlhé nohavice, vysoké topánky a rukavice. Nenoste krátke nohavice, sandále alebo nebuďte naboso.

Pred uvedením do prevádzky držte kosačku oboma rukami, jednu ruku na zadnej rukoväti a druhú na prednej pomocnej rukoväti, pričom ruka musí byť rovná (obr. L). Potom

si skontrolujte vyvážené postavenie a správnu rezáciu vzdialenosť bez toho, aby bola obsluha predklonená.

SPUSTENIE / ZASTAVENIE STRUNOVEJ KOSAČKY

Spustenie

Stlačte dole poistnú páčku a podržte ju v tejto polohe. Stlačte vypínač pre zapnutie strunovej kosačky podľa obr. M.

Zastavenie

Uvoľnite poistnú páčku a vypínač.

POZNÁMKA: Motor má dve rýchlosti na kosenie. Poloha „1“ pre nižšiu rýchlosť a poloha „2“ pre vysokú rýchlosť, ako je znázornené na obr. M. Stačí prepnúť prepínač nastavenia rýchlosti do vhodnej polohy pri kosení.

Popis dielov na obr. M si pozrite nižšie:

| | |
|-----|----------|
| M-1 | Poloha 1 |
| M-2 | Poloha 2 |

VAROVANIE: Počas pracovných prestávok a po ukončení práce vždy vyberte akumulátor zo strunovej kosačky.

POUŽÍVANIE STRUNOVEJ KOSAČKY

VAROVANIE: Aby nedošlo k vážnemu zraneniu, noste okuliare alebo ochranné okuliare po celú dobu používania prístroja. Používajte masku alebo masku proti prachu v prašnom prostredí.

Pred každým použitím vyčistite oblasť, ktorá má byť rezaná. Odstráňte všetky predmety, ako sú kamene, rozbité sklo, klince, drôty alebo šnúry, ktoré môžu byť vymrštené alebo môžu uviaznuť v stroji. Zabráňte prístupu deťom, prítomným osobám a domácim zvieratám. Všetky deti, prizerajúce sa osoby a zvieratá sa musia zdržiavať vo vzdialenosti najmenej 15 metrov; stále ešte môže existovať riziko vymrštenia predmetov na prizerajúce sa osoby. Okolostojace osoby by mali mať ochranu očí. Ak sa približujú, okamžite zastavte motor a reznú príslušenstvo.

Pred každým použitím skontrolujte, či nie sú poškodené / opotrebované diely

Skontrolujte strunovú hlavu, chránič a prednú pomocnú rukoväť a diely, ktoré sú prasknuté, zdeformované, ohnuté, alebo inak poškodené.

Strunová čepeľ na okraji chrániča sa v priebehu času otupí. Odporúčame, aby ste ju pravidelne prebrúšili pilníkom, alebo ju nahradili za novú čepeľ.

SK

VAROVANIE: Pri montáži alebo ostrení chrániča alebo pri výmene čepele vždy používajte rukavice. Dajte si pozor na ostré hrany na chrániči a chráňte si ruky pred porazením.

Po každom použití vyčistite kosačku.

UPOZORNENIE: Prekážky vo vetracích otvoroch bránia prívodu vzduchu do krytu motora, čoho následkom je prehriatie alebo poškodenie motora.

- Používajte iba mydlový roztok a vlhkú handričku na čistenie náradia. Zabráňte preniknutiu akejkoľvek kvapaliny do vnútorných častí náradia; Nikdy neponárajte žiadnu časť náradia do kvapaliny.
- Udržujte vetracie otvory v kryte motora a hriadelí vždy bez nečistôt

VAROVANIE: Nikdy nepoužívajte vodu na čistenie nožníc. Na čistenie plastových dielov nepoužívajte rozpúšťadlá. Väčšina plastov je náchylná na poškodenie z rôznych typov komerčných rozpúšťadiel. Použite čisté handry na odstránenie nečistôt, prachu, oleja, maziva, atď.

NASTAVENIE DĹŽKY REZNEJ STRUNY

Strunová hlava umožňuje obsluhu predĺžiť rezáciu strunu bez zastavenia motora. Ak sa struna rozstrapká alebo opotrebuje, je možné vysunúť ďalšiu strunu ľahkým poklepaním gombíka hlavy o zem pri používaní kosačky (obr. N).

POZNÁMKA: Uvoľnenie struny sa stáva ťažšie, keď sa struna skracuje.

VAROVANIE: Neodstraňujte alebo nemeňte zostavu strunovej rezacej čepele. Nadmerná dĺžka struny môže spôsobiť prehriatie motora a môže dôjsť k vážnemu zraneniu.

VÝMENA STRUNY

POZNÁMKA: Vždy používajte odporúčanú nylonovú strunu s priemerom, ktorý nepresahuje 2,0 mm. Použitie inej struny, než je uvedené, môže spôsobiť prehriatie alebo poškodenie strunovej kosačky.

VAROVANIE: Nikdy nepoužívajte kovom vystužené struny, drôty, šnúry atď. Môžu sa odtrhnúť a stať sa nebezpečnými projektilmi.

Existujú dva spôsoby, ako vymeniť rezáciu strunu:

1. Na cievku navíňte novú strunu.
2. Nainštalujte už navinutú cievku (AS1302 je k dispozícii u predajcu, ak je to nutné).

Na cievku navíňte novú strunu

Stlačte dve západky na uvoľnenie cievky zo základne a vytiahnite držiak z cievky (obr. O). Vytiahnite približne 5m novej rezacej struny. Preložte a namotajte ju na cievku ako na obr. P a Q. Potom položte konce struny na dva protifaľé zárezy v cievke (obr. R) a cievku umiestnite na jej miesto so zárezmi zarovnanými s prídržnými očkami (viď obr. T). Nakoniec zarovnajtie prídržné drážky s jazýčkami na základni cievky a zatlačte držiak rovnomerne dole tak, aby zapadol na svoje miesto (obr. S).

POZNÁMKA: Pred opätovnou montážou strunovej hlavy vždy vyčistite držiak cievky, cievku a základňu cievky. Skontrolujte na opotrebovanie držiak cievky, cievku a základňu cievky. Ak je nutné, vymeňte opotrebované diely.

POZNÁMKA: Nesprávne navinutie struny vo vyznačenom smere spôsobí nesprávne fungovanie strunovej hlavy.

Inštalácia už navinutej cievky

Stlačte dve západky na uvoľnenie cievky zo základne a vytiahnite držiak z cievky (obr. O). Potom umiestnite už navinutú cievku do držiaka so zárezmi zarovnanými s prídržnými očkami (viď obr. T). Nakoniec zarovnajtie prídržné drážky s jazýčkami na základni cievky a zatlačte držiak rovnomerne dole tak, aby zapadol na svoje miesto (obr. S).

Popis dielov na obr. S a T si pozrite nižšie:

| | | | |
|-----|---------|-----|-------|
| S-1 | Západka | T-1 | Zárez |
| S-2 | Drážka | T-2 | Očko |

POZNÁMKA: Zabezpečte, aby jazýčky na základni cievky zaskočili, inak sa cievka uvoľní počas prevádzky.

ÚDRŽBA

VAROVANIE: Pri servise používajte iba identické náhradné diely. Pravidelne kontrolujte a udržiavajte stroj. Pre zaistenie bezpečnosti a spoľahlivosti je nevyhnutné, aby všetky opravy vykonával len kvalifikovaný servisný technik.

VAROVANIE: Nástroje na batérie nemusia byť zapojené do elektrickej zásuvky; preto sú vždy v prevádzkovom stave. Aby nedošlo k vážnemu zraneniu, prijmite osobitné opatrenia a pozornosť pri vykonávaní údržby, opravy alebo výmene rezacieho alebo iného príslušenstva.

VAROVANIE: Aby nedošlo k vážnemu zraneniu, tak pred vykonávaním údržby, čistením, výmenou príslušenstva alebo odstraňovaním materiálu z prístroja vyberte akumulátor z náradia

SK

ČISTENIE PRÍSTROJA

- Výrobok čistíte vlhkou handričkou a jemným saponátom.
- Nepoužívajte žiadne silné čistiace prostriedky na plastovom kryte alebo rukoväti. Môžu byť poškodené určitými aromatickými olejmi, ako je borovica a citrón, a rozpúšťadlami, ako je petrolej. Vlhkosť môže tiež spôsobiť nebezpečenstvo úrazu elektrickým prúdom. Akúkoľvek vlhkosť poutierajte mäkkou a suchou handrou.
- Použite malú kefu alebo vzduch z malého vysávača s kefkou na vyčistenie vetracích otvorov od nečistôt na zadnom kryte.

USKLADNENIE PRÍSTROJA

- Vyberte akumulátor zo strunovej kosačky, keď ju už nepoužívate.
- Pred uložením prístroj dôkladne vyčistite.
- Prístroj skladujte na suchom a dobre vetranom uzamknutom alebo vyvýšenom mieste mimo dosahu detí. Prístroj neskladujte v blízkosti hnojív, benzínu alebo iných chemikálií.

Ochrana životného prostredia



Nevyhadzujte elektrické zariadenia, nabíjačku batérií a použité batérie/akumulátory do domového odpadu! Tento výrobok odneste na autorizované recyklačné miesto a dajte ho k dispozícii na separovaný zber. Elektrické náradie sa musí vrátiť do recyklačného zariadenia, ktoré je zlučiteľné so životným prostredím.

ODSTRAŇOVANIE PROBLÉMOV

| PROBLÉM | PRÍČINA | RIEŠENIE |
|---|---|--|
| Strunová kosačka sa nespustí. | <ul style="list-style-type: none"> ■ Akumulátor nie je pripojený do strunovej kosačky. ■ Žiadny elektrický kontakt medzi kosačkou a batériou. ■ Akumulátor je vybitý. ■ Poistná páčka a spínač nie sú súčasne stlačené. | <ul style="list-style-type: none"> ■ Pripojte akumulátor do kosačky. ■ Vyberte batériu, skontrolujte kontakty a nainštalujte akumulátor. ■ Nabite akumulátor. ■ Pre zapnutie strunovej kosačky zatlačte poistnú páčku a podržte ju, potom stlačte vypínač. |
| Strunová kosačka sa zastaví pri kosení. | <ul style="list-style-type: none"> ■ Chránič nie je namontovaný na kosačke, čo spôsobuje príliš dlhý rez a preťaženie motora. ■ Je použitá príliš ťažká struna. ■ Tráva sa namotala na hriadeľ motora alebo hlavu kosačky. ■ Motor je preťažený. ■ Akumulátor alebo strunová kosačka sú príliš horúce. ■ Akumulátor je odpojený od nástroja. ■ Akumulátor je vybitý. | <ul style="list-style-type: none"> ■ Vyberte akumulátor a namontujte chránič na kosačku. ■ Používajte iba nylonovú rezaciu strunu s priemerom najviac 2,0mm. ■ Zastavte kosačku, vyberte batériu a odstráňte trávu z hriadeľa motora a hlavy kosačky. ■ Vytiahnite hlavu kosačky z trávy. Motor sa rozbehne, keď sa preťaženie odstráni. Pri kosení pohybujte hlavou kosačky dovnútra a von z trávy tak, aby sa pokosila a odstránila najviac 20cm dĺžka v jednom reze. ■ Nechajte akumulátor alebo strunovú kosačku vychladnúť, kým teplota neklesne pod 67 ° C. ■ Znovu vložte akumulátor. ■ Nabite akumulátor. |
| Strunová hlava nevysúva strunu. | <ul style="list-style-type: none"> ■ Tráva sa namotala na hriadeľ motora alebo hlavu kosačky. ■ Na cievke nie je dostatok struny. ■ Strunová hlava je znečistená. ■ Struna je zamotaná na cievke. ■ Struna je príliš krátka. | <ul style="list-style-type: none"> ■ Zastavte kosačku, vyberte batériu a odstráňte trávu z hriadeľa motora a hlavy kosačky. ■ Vyberte batériu a vymeňte strunu; postupujte podľa časti „VÝMENA STRUNY“ v tomto návode na obsluhu. ■ Vyberte batériu a vyčistite cievku, držiak cievky a základňu cievky. ■ Vyberte batériu a vymeňte strunu; postupujte podľa časti „VÝMENA STRUNY“ v tomto návode na obsluhu. ■ Vyberte batériu a vytiahnite strunu a zároveň striedavo pritláčajte gombík hlavy. |

| PROBLÉM | PRÍČINA | RIEŠENIE |
|--|---|---|
| Tráva obaluje hlavu kosačky a kryt motora. | <ul style="list-style-type: none">■ Kosenie vysokej trávy na úrovni terénu. | <ul style="list-style-type: none">■ Koste vysokú trávu od zhora nadol, pri každom prechode odstraňujte najviac 20cm, aby nedošlo k namotaniu. |
| Struna dobre nekosi. | <ul style="list-style-type: none">■ Strunová čepeľ na okraji chrániča sa otupila. | <ul style="list-style-type: none">■ Naostríte strunovú čepeľ pilníkom, alebo ju vymeňte za novú čepeľ. |

ZÁRUKA

ZÁRUČNÁ POLITIKA EGO

Navštívte webové stránky egopowerplus.com pre úplné podmienky záručnej politiky spoločnosti EGO.

SK

OLVASSA EL AZ ÖSSZES UTASÍTÁST!



OLVASSA EL A HASZNÁLATI ÚTMUTATÓT

FIGYELMEZTETÉS: Fennmaradó kockázat! Az elektronikus készülékekkel, például pacemakerrel élő emberek a termék használata előtt kérjék ki az orvos véleményét. Az elektromos felszerelésnek a pacemakerhez közel való működtetése interferenciát vagy meghibásodást okozhat a pacemakerben.



Biztonsági figyelmeztetés



Viseljen szemvédőt – Mindig viseljen védőszemüveget vagy oldalsó védőlemezzel ellátott védőszemüveget és teljes védőálarcot a termék működtetése közben.



Viseljen fülvédőt – Mindig viseljen hallásvédőt a termék működtetése közben



Viseljen fejdédőt – Viseljen hivatalos biztonsági kemény sisakot a feje védelme érdekében.



Ne szereljen fel kerek vágópengét.



Szélesség – A fűkasza max. vágáshélessége



Ügyeljen arra, hogy más személyek és a háziállatok legalább 15 m távolságban legyenek a fűkasza használata közben.



A termék megfelel az érvényes EK irányelveknek.



Az elhasznált elektromos termékek nem helyezhetők a háztartási hulladékok közé. Vigye hivatalos újrahasznosító telephelyre.

V Feszültség

.../min Percenként

kg Kilogramm

BIZTONSÁGI SZIMBÓLUMOK

FIGYELMEZTETÉS: Bármely elektromos kéziszerszám működtetése azzal járhat, hogy idegen tárgyak szembe kerülnek, ami súlyos szemsérüléseket okozhat. Az elektromos kéziszerszám működtetése előtt mindig vegyen fel oldalsó védőlemezzel ellátott védőszemüveget és a teljes védőálarcot, ha szükséges. Javasoljuk, hogy viseljen Wide Vision Safety Mask-ot (védőálarc) a védőszemüveg fölött vagy standard védőszemüveget oldalsó védőlemezzel.



A sérülések kockázatának csökkentése érdekében a használatonak el kell olvasnia a használati útmutatót.



Viseljen védő lábbelit. Viseljen csúszásgátló cipőt, amikor a készüléket használja.



Viseljen védőkesztyűt – Védje a kezét kesztyűvel, amikor a pengét vagy a pengevédőt kezeli.



A visszapattanó tárgyak súlyos személyi sérülést vagy anyagi kárt okozhatnak. Ügyeljen arra, hogy más személyek és a háziállatok távol legyenek a fűkasza használata közben.



Átmérő – A nylon vágószál átmérője



Ügyeljen arra, hogy más személyek és a háziállatok legalább 15 m távolságban legyenek a fűkasza használata közben.



Ne használja esőben, és ne hagyja kint, ha esik az eső.



Ez a termék megfelel az alkalmazandó brit jogszabályoknak.



Garantált hangteljesítményszint. Környezetre ható zajkibocsátás a Európai Közösség irányelve szerint.

n_0

Üresjáratú fordulatszám-Forgási sebesség üresjáraton

==

Egyenáram

MŰSZAKI ADATOK

| | | |
|--|---|--|
| Voltaj | 56 V $\overline{\text{---}}$ | |
| Turajie la mers în gol | Magas: 6500 /min Alacsony: 5200 /min | |
| Vágómechanizmus | Ütköző fej | |
| Vágószál típusa | 2,0mm Nylon csavar vonal | |
| Vágásszélesség | 33 cm | |
| Javasolt működési hőmérséklet | 0°C-40°C | |
| Javasolt tárolási hőmérséklet | -20°C-70°C | |
| Súly (akkumulátoregység nélkül) | 2,76 kg | |
| Mért hangteljesítményszint L_{WA} | 92,1 dB(A) K=1,6 dB(A) | |
| Max. Hangnyomásszint a kezelő fülénél L_{PA} | 72,6 dB(A) K=2,5 dB(A) | |
| Nivel de putere sonoră garantat L_{WA} (măsurat în conformitate cu 2000/14/CE) | 94 dB(A) | |
| Vibrații a_h | Elülső segédfogantyú | 3,3 m/s ² K=0,9 m/s ² |
| | Hátsó fogantyú | 1,9 m/s ² K=1,5 m/s ² |

- Valoarea totală declarată a vibrațiilor a fost măsurată în conformitate cu o metodă standard de testare și poate fi utilizată pentru compararea sculelor între ele;
- Valoarea totală declarată poate fi utilizată în evaluarea preliminară a expunerii.

OBSERVAȚIE: Vibrațiile emise în timpul utilizării efective a sculei electrice pot diferi față de valoarea celor declarate pentru scula utilizată; Pentru protejarea operatorului, utilizatorul trebuie să poarte mănuși și protecții auditive în timpul utilizării efective a produsului.

CONȚINUTUL AMBALAJULUI (Fig. A1)

DESCRIERE

DESCRIEREA TRIMMERULUI (Fig. A1)

1. Trigger
2. Hátsó fogantyú
3. Kikapcsoló kar
4. Sebességbeállító kapcsoló
5. Puha hengerfej
6. Beállítható elülső segédfogantyú
7. Fűkaszálo fej (ütköző fej)

8. Ütköző gomb
9. Vágópenge
10. Védőburkolat
11. Kioldó mechanizmus
13. Elektromos csatlakozások
14. Zár
15. Akkumulátor kioldógomb

ÖSSZESZERELÉS

A SZÁR KINYITÁSA

▲ FIGYELMEZTETÉS: Ne a csuklóknál fogva tartsa a szárat, nehogy becsípje a kezét vagy az ujjait.

▲ FIGYELMEZTETÉS: Ne próbálja meg elindítani a szegélyezőt addig, amíg a szár nem rögzült. Óvatosan nyissa ki a szárat, biztosítva a kábelt a szár belsejében és rögzítse két csavarral a mellékelt csavarkulccsal (B1 és B2 ábra).

A VÉDŐBURKOLAT ÖSSZESZERELÉSE

Illesse a rögzítőfuratokat a szerelési lyukakba, majd rögzítse a védőburkolatot a tengely talpához a két csavarral. Ellenőrizze, hogy a védőburkolat a C ábrának megfelelően rögzítve van-e, a fordított rögzítés nagy veszélyt okozhat!

AZ ELÜLSŐ SEGÉDFOGANTYÚ FELSZERELÉSE ÉS BEÁLLÍTÁSA

Nyomja meg az első segédfogantyút a tengelyre (E ábra), majd helyezze a rögzítőkapcsot a fogantyú nyílásába (F ábra), szerelje fel a rögzítőrudat, és rögzítse a szárnyas anyával (G ábra). A sorrend az D ábrán látható. Végül állítsa az első segédfogantyút helyzetbe, hogy az elülső kar egyenes legyen, amikor a fűkasztat használja (H ábra), majd rögzítse a rögzítőrúd karját (I ábra).

Az D és H ábra alkatrészeinek leírását lásd lent:

| | | | |
|-----|----------------------|-----|---------------------|
| D-1 | Elülső segédfogantyú | D-4 | Szárnyas anya |
| D-2 | Rögzítőrúd | H-1 | Karmantyú |
| D-3 | Rögzítőkapocs | H-2 | Figyelmeztető címke |

MEGJEGYZÉS: Az elülső segédfogantyút felfelé kell fordítani, hogy a fogantyú teteje felé mutasson.

▲ FIGYELMEZTETÉS: Csak az elülső segédfogantyút rögzítse a tengelyen lévő karmantyúval szemben.

▲ FIGYELMEZTETÉS: A szerszám nem használható a megfelelően rögzített elülső segédfogantyú nélkül.

HU

MŰKÖDTETÉS

▲ FIGYELMEZTETÉS: Ne hagyja, hogy a termékkel szerzett jártassága miatt óvatlanná váljon. Emlékezzon arra, hogy a másodperc töredéke alatt történő óvatlanság súlyos sérülést okozhat.

▲ FIGYELMEZTETÉS: Mindig viseljen oldalsó védőlemezzel ellátott védőszemüveget. Hallásvédővel együtt. Amennyiben nem ezt teszi, tárgyak repülhetnek a szemébe, és más komoly sérülések keletkezhetnek.

▲ FIGYELMEZTETÉS: Ne használjon a gyártó által nem javasolt tartozékokat a termékhez. A nem javasolt tartozékok használata súlyos személyes sérülést okozhat.

▲ FIGYELMEZTETÉS: A megfelelő vágószállal felszerelt fűkaszát csak fű és hasonló anyagok vágására használja.

A terméket az alábbi célokra használhatja:

Nyees: a falak, kerítések, fák és szegélyek tövében lévő fű vágására használja.

Vágás: Olyan fű vágására használja, amelyet a normál fűnyíró nehezen érne el.

MEGJEGYZÉS: A szerszámot csak az előírt célokra használja. Bármilyen más használat, például szélek vágása, helytelen használatnak minősül.

AZ AKKUMULÁTOREGYSÉG BEHELYEZÉSE/ KIVÉTELE

Az első használat előtt teljesen töltése fel.

Csak az A2.ábrán felsorolt akkumulátoregységeket és töltőket használja.

Csatlakoztatás

Illesse az akkumulátor vázát az akkumulátorban lévő szerelőnyíláshoz, és nyomja le az akkumulátoregységet, amíg kattantást nem hall.

Kivétel

Oldja ki az akkumulátor kioldógombot, és húzza ki az akkumulátoregységet a K ábrán látható módon.

FŰKASZA TARTÁSA

▲ FIGYELMEZTETÉS: Megfelelően öltözzön fel a sérülések kockázatának csökkentése érdekében, amikor a szerszámot működteti. Ne viseljen laza ruházatot vagy ékszereket. Viseljen védőszemüveget és fülvédőt; Viseljen erős, hosszú szárú nadrágot, cipőt és kesztyűt. Ne viseljen rövidnadrágot, szandált, és ne járjon mezítláb.

Működtetés előtt tartsa a fűkaszát két kézzel, az egyik kezével a hátsó fogantyút, a másik kezével az első segédfogantyút fogja egyenesen (L ábra). Majd ellenőrizze a kiegyensúlyozott testhelyzetet, és a megfelelő vágási távolságot, a kezelő ne hajoljon felé.

A FŰKASZA INDÍTÁSA/LEÁLLÍTÁSA

Indítás

Nyomja meg és tartsa lenyomva a kapcsoló gombot, és tartsa ebben a pozícióban. Nyomja meg a triggert a fűkasza bekapcsolásához az M ábrán látható módon.

Leállítás

Oldja ki a kapcsoló gombot és a triggert.

MEGJEGYZÉS: A motor két sebességgel rendelkezik a vágáshoz, az „1” pozíció a lassabb sebességhez és a „2” pozíció a nagyobb sebességhez az M ábrán látható módon. Csak nyomja a sebességbeállító kapcsolót a megfelelő pozícióba vágás közben.

Az M ábra alkatrészeinek leírását lásd lent:

| | |
|-----|------------|
| M-1 | 1. pozíció |
| M-2 | 2. pozíció |

▲ FIGYELMEZTETÉS: Mindig vegye ki az akkumulátoregységet a fűkaszából, ha megszakítja a munkát, és a munka elvégzése után.

SÓVÉNYNYÍRÓ TARTÁSA

▲ FIGYELMEZTETÉS: A súlyos személyi sérülések elkerülése érdekében mindig viseljen védőszemüveget az egység működtetésekor. Viseljen arc- vagy porvédő maszkot poros körülmények között.

Minden használat előtt tisztítsa meg a nyírándó területet. Távolítson el minden tárgyat, pl. követ, törött üveget, tüt, vezetéket vagy zsinórt, amely beakadhat a vágóegységbe. A területen ne legyenek gyermekek, nézelődők vagy állatok. Minden nézelődő, gyermek és állat legalább 15 m távolságban legyen; még így fennáll a veszélye, hogy tárgyak repülnek a nézelődők felé. A nézelődők is viseljenek védőszemüveget. Amikor Ön felé közeledik valaki, azonnal állítsa le a motort és a vágóegységet.

A sérült/kopott alkatrészek ellenőrzése minden használat előtt

Ellenőrizze az ütköző fejet, védőburkolatot és első segédfogantyút, és cserélje ki a repedt, behajolt vagy sérült alkatrészeket.

A védőburkolat szélén lévő vágópenge egy idő után tompa lehet. Javasoljuk, hogy időnként élezze meg reszelővel, vagy cserélje ki új pengére.

▲ FIGYELMEZTETÉS: Mindig viseljen kesztyűt, amikor felszereli a védőburkolatot, vagy kicseréli a pengét. Legyen óvatos a védőburkolat alatti pengével, és óvja a kezét vágástól.

Minden használat után tisztítsa meg a fűkaszát.

▲ FIGYELEM: A szellőzőnyílásokban lévő akadályok megakadályozzák, hogy levegő áramoljon a motorházba, így a motor megsérülhet vagy túlmelegedhet.

- A szerszám tisztítását csak kimélő szappannal és nedves ruhával végezze. Soha ne hagyja, hogy bármilyen folyadék a szerszámra kerüljön, soha ne merítse vízbe a szerszám egyetlen alkatrészét sem.
- A motorházon és tengelyen lévő szellőzőnyílásokat tartsa szennyeződésektől mentesen

▲ FIGYELMEZTETÉS: Soha ne használjon vizet a sövénynyíró tisztításhoz. A műanyag alkatrészek tisztításához ne használjon oldószereket. A legtöbb műanyag a vegyi oldószerek által deformálódás általi sérülésnek van kitéve. Használjon tiszta ruhát a szennyeződés, por, olaj, zsír stb. eltávolításához.

A VÁGÁS HOSSZÁNAK BEÁLLÍTÁSA

Az ütközőfej lehetővé teszi a kezelőnek, hogy a motor leállítása nélkül oldjon ki vágószálat. Ha a szál kopott vagy elhasználódott, akkor kiegészítő szál oldható ki, ha enyhén megnyomja az ütköző gombot a fűkasza működése közben (N ábra).

MEGJEGYZÉS: A vágószál kioldása egyre nehezebb, ha a vágószál rövidebb lesz.

▲ FIGYELMEZTETÉS: Ne távolítsa el, és ne változtassa meg a vágóegységet. A felesleges hossz miatt a motor túlmelegszik, amely súlyos sérülést okozhat

VÁGÓSZÁL CSERÉJE

MEGJEGYZÉS: Mindig a javasolt nylon vágószálat használja, amelynek átmérője nem használja meg a 2,0 mm-t. Ha nem ilyet használ, akkor a fűkasza túlmelegedhet, vagy megsérülhet.

▲ FIGYELMEZTETÉS: Soha ne használjon fémmel merevített szálat, zsinórt, vezetékét stb. Ezek eltörhetnek, és veszélyesek lehetnek a szétröppelő részek miatt.

A vágószál kétféleképpen cserélhető ki:

1. Tekerjen új vágószálat az orsóra.
2. Helyezze fel az előre feltekert orsót (AS1302, ha szükséges, elérhető a kereskedőnél).

Új vágószál feltekérése az orsóra

Nyomja meg a két kioldógombot az orsón, és húzza ki az orsó rögzítőelemét (O ábra). Vegyen ki körülbelül 5 m új vágószálat. Akassza be, majd tekerje fel az orsóra a P és Q ábrán látható módon. Majd helyezze a szál végeit az

orsó két szemközt lévő hornyába (R ábra), és helyezze az orsót a rögzítőelembe, a hornyok a rögzítőelem fűzőlyukaiba illeszkedjenek (T ábra). Végül illessze a rögzítőelem nyílásait az orsó gombjához, és nyomja le a rögzítőelemet, hogy a helyére kattanjon (S ábra).

MEGJEGYZÉS: Mindig tisztítsa meg az orsó rögzítőelemét, orsóját és orsó talpát, mielőtt visszaszereli a fűkasza fejre. Ellenőrizze az orsó rögzítőelemét, orsóját és orsó talpát, hogy nem kopott-e. Szükség esetén cserélje ki az elhasznált alkatrészeket.

MEGJEGYZÉS: Ha a szálat nem a megadott irányba tekeri, akkor a fűkasza fej nem fog megfelelően működni.

Előre feltekert orsó felhelyezése

Nyomja meg a két kioldógombot az orsón, és húzza ki az orsó rögzítőelemét (O ábra). Majd helyezze az előre feltekert orsót a rögzítőelembe, a hornyok a rögzítőelem fűzőlyukaiba illeszkedjenek (T ábra). Végül illessze a rögzítőelem nyílásait az orsó gombjához, és nyomja le a rögzítőelemet, hogy a helyére kattanjon (S ábra).

A W és X ábra alkatrészeinek leírását lásd lent:

| | | | |
|-----|--------|-----|---------------|
| S-1 | Tab | T-1 | Bevágás |
| S-2 | Nyílás | T-2 | Kémlelőnyílás |

MEGJEGYZÉS: Ellenőrizze, hogy az orsó talp gombjai a helyükre kattanjanak, különben az orsó ki fog jönni működés közben.

HU

KARBANTARTÁS

▲ FIGYELMEZTETÉS: Javításkor használjon azonos pótalkatrészeket. Más alkatrészek használata veszélyt okozhat, vagy megrongálhatja a terméket. A biztonságosság és megbízhatóság biztosítása érdekében minden javítást szakképzett szerviztechnikus hajtson végre.

▲ FIGYELMEZTETÉS: Az akkumulátorral működő szerszámokat nem kell hálózati aljzathoz csatlakoztatni; ezért mindig működőképes állapotban vannak. A súlyos személyi sérülések elkerülése érdekében legyen rendkívül óvatos, amikor karbantartást, szervizelést végez, vagy kicseréli a vágóegységet vagy más alkatrészeket.

▲ FIGYELMEZTETÉS: A súlyos személyi sérülések elkerülése érdekében távolítsa el az akkumulátoregységet a szerszámból szervizelés, tisztítás, tartozékok cseréje vagy anyagok szerszámból való eltávolítása közben.

AZ EGYSÉG TISZTÍTÁSA

- Nedves törőruhával és enyhe tisztítószerrel tisztítsa meg az egységet.
- Ne használjon erős tisztítószereket a műanyag burkolaton vagy a fogantyún. Ezek megsérülhetnek a különböző aromaolajaktól, pl. fenyő vagy citrom, és az olyan oldószerektől, mint a kerozin. A nedvesség szintén áramütés veszélyét okozhatja. A nedvességet egy puha, száraz törővel törölje le.
- Használjon kis kefét vagy kis porszívó kefét a szellőzőnyílásoknak a hátsó burkolaton lévő akadályoktól való megtisztításához.

AZ EGYSÉG TÁROLÁSA

- Vegye ki az akkumulátoregységet a fűkaszából, amikor nem használja.
- Tárolás előtt alaposan tisztítsa meg a szerszámot.
- Az egységet száraz, jól szellőző, elzárt vagy magas helyen tárolja, ahol gyermekek nem érik el. Ne tárolja az egységet benzín vagy más vegyszerek mellett.

A környezet védelme



Ne dobja az elektromos felszerelést, az elhasznált akkumulátort és a töltőt a háztartási hulladékok közé! Vigye hivatalos újrahasznosító telephelyre, és tegye hozzáférhetővé a szelektív gyűjtéshez. Az elektromos szerszámokat környezetbarát újrahasznosító üzembe kell vinni.

HIBAELHÁRÍTÁS

| PROBLÉMA | A PROBLÉMA OKA | MEGOLDÁS |
|-------------------------------|--|---|
| Fűkaszáló nem indul. | <ul style="list-style-type: none"> ■ Az akkumulátoregység nincs csatlakoztatva a fűkaszához. ■ Nincs elektromos kapcsolat a sövénynyíró és az akkumulátor között. ■ Az akkumulátoregység lemerült. ■ A kapcsoló gomb és a trigger nem egyidejűleg van megnyomva. | <ul style="list-style-type: none"> ■ Csatlakoztassa az akkumulátoregységet a fűkaszához. ■ Vegye ki az akkumulátoregységet, ellenőrizze a csatlakozást, és helyezze vissza az akkumulátoregységet. ■ Töltse fel az akkumulátoregységet. ■ Nyomja meg és tartsa lenyomva a kapcsoló gombot, majd oldja ki a triggert a fűkasza bekapcsolásához. |
| A fűkasza vágás közben leáll. | <ul style="list-style-type: none"> ■ A védőburkolat nincs felszerelve a fűkaszára, amely révén a vágószál túl hosszú, és a motor túlterhelt. ■ Használjon nagy teherbírású vágószálat. ■ A motor tengely vagy fűkasza fej beakadt a fűbe. ■ A motor túlterhelt | <ul style="list-style-type: none"> ■ Vegye ki az akkumulátoregységet, és szerelje fel a védőburkolatot a fűkaszára. ■ Használjon standard nylon vágószálat 2,0 mm-nél nem nagyobb átmérővel. ■ Állítsa le a fűkaszt, vegye ki az akkumulátort, és távolítsa el a fűvet a motor tengelyről és fűkasza fejről. ■ Távolítsa el a fűvet a fűkasza fejről. A motor újra működőképes, ha a terhet eltávolítja. Vágás közben a fűkasza fejet oda-vissza mozgassa a vágandó fűvön, és 20 cm-nél hosszabb fűvet ne vágjon egy vágással. ■ Hűtse le az akkumulátoregységet vagy a fűkaszt 67 °C alatti hőmérsékletre. ■ Helyezze vissza az akkumulátoregységet. ■ Töltse fel az akkumulátoregységet. |

HU

| PROBLÉMA | A PROBLÉMA OKA | MEGOLDÁS |
|--|---|---|
| A fűkasza fej nem enged ki a szálát. | <ul style="list-style-type: none"> ■ A motor tengely vagy fűkasza fej beakadt a fűbe. ■ Nincs elég szál az orsón. ■ A fűkasza fej piszkos. ■ A szál összegabalyodott az orsón. ■ A szál túl rövid. | <ul style="list-style-type: none"> ■ Állítsa le a fűkaszázt, vegye ki az akkumulátort, és távolítsa el a fűvet a motor tengelyről és fűkasza fejről. ■ Vegye ki az akkumulátort, és cserélje ki a vágószálát; kövesse a jelen használati útmutató „VÁGÓSZÁL CSERÉJE” fejezetet. ■ Vegye ki az akkumulátort, és tisztítsa meg az orsó rögzítőelemét, orsót és orsó talpát. ■ Vegye ki az akkumulátort, és vegye ki a vágószálát az orsóból, és tekerjen fel újat; kövesse a jelen használati útmutató „VÁGÓSZÁL CSERÉJE” fejezetet. ■ Vegye ki az akkumulátort, és húzza ki a szálát, közben nyomja le, és oldja ki az ütköző gombot. |
| Fű tekeredett a fűkasza fejre és motorházra. | <ul style="list-style-type: none"> ■ Magas fűvet talajhoz közel vág.. | <ul style="list-style-type: none"> ■ A magas fűvet felülről vágja, egyszerre 20 cm-nél többet ne vágjon, így elkerüli a feltekeredést. |
| A vágószál nem vág rendesen. | <ul style="list-style-type: none"> ■ A védőburkolat szélén lévő vágópengé egy tompává vált. | <ul style="list-style-type: none"> ■ Élezze meg a vágópengét reszelővel, vagy cserélje ki új pengére. |

GARANCIA

HU

EGO GARANCIÁLIS FELTÉTELEK

Kérjük, látogasson el az egopowerplus.com oldalra, ahol megtalálja a részletes EGO garanciális feltételeket.

CITIȚI TOATE INSTRUCȚIUNILE!



CITIȚI MANUALUL DE INSTRUCȚIUNI

⚠ AVERTISMENT: Riscuri reziduale! Persoanele cu dispozitive electronice precum stimulatoare cardiace ar trebui să se consulte cu medicul (medicii) înainte de a utiliza acest produs. Funcționarea echipamentelor electrice în imediata apropiere a unui stimulator cardiac ar putea provoca interferențe sau defecțiuni ale stimulatorului cardiac.



Alertă privind siguranța



Purtați echipament de protecție oculară - Purtați întotdeauna ochelari de protecție sau ochelari de protecție cu apărători laterale și o vizieră facială completă când utilizați acest produs.



Purtați echipament de protecție auditivă - Purtați întotdeauna echipament de protecție auditivă când utilizați acest produs.



Purtați echipament de protecție a capului - Purtați o cască de protecție aprobată pentru a vă proteja capul.



Nu instalați lame de tăiere rotunde.



Lățime - Lățimea maximă de tăiere a trimmerului cu fir



Asigurați-vă că alte persoane și animalele de companie se află o distanță de cel puțin 15 m de trimmerul cu fir când acesta este în funcțiune.



Acest produs este în conformitate cu directivele europene aplicabile.



Deșeurile produselor electrice nu trebuie să fie eliminate împreună cu deșeurile menajere. Predați-le unui punct de reciclare autorizat.

V Tensiune

.../min Pe minut

kg Kilogram

SIMBOLURI PRIVIND SIGURANȚA

⚠ AVERTISMENT: Exploatarea oricăror scule electrice se poate solda cu ricoșarea de obiecte străine în ochii dumneavoastră, ceea ce se poate solda cu vătămarea gravă a ochilor. Înainte de a începe să utilizați scula electrică, echipați-vă întotdeauna cu ochelari de protecție cu apărători laterale și vizieră pentru față, atunci când este nevoie. Vă recomandăm să purtați o vizieră lată de protecție peste ochelarii de vedere sau ochelari de protecție standard cu apărători laterale.



Pentru a reduce riscul de accidentări, utilizatorul trebuie să citească manualul de instrucțiuni.



Purtați încălțăminte de protecție - Purtați încălțăminte antiderapantă când utilizați acest echipament.



Purtați mănuși de protecție - Protejați-vă mâinile cu mănuși când manevrați lama sau apărătoarea lamei.



Feriviță de propulsarea lamei - Avertizați operatorul asupra pericolului propulsiei lamei.



Diametru - Diametrul firului de tăiere din nailon



Obiectele aruncate pot ricoșa și cauza vătămări corporale și pagube. Asigurați-vă că terți și animalele de companie se află la distanță de trimmerul pentru tușitori când acesta este în funcțiune.



Nu utilizați acest produs în ploaie și nu-l lăsați în exterior în timp ce plouă.



Acest produs este în conformitate cu legislația aplicabilă din Marea Britanie.



Nivelul puterii sunetului garantat. Emisii sonore în mediul înconjurător conform Directivei comunitare europene.

n_0 Turație de mers în gol-Turație de mers în gol

☰ Curent continuu

RO

SPECIFICAȚII

| | | |
|--|---|--|
| Voltaaj | 56 V --- | |
| Turație de mers în gol | Ridicată: 6500 /min Joasă: 5200 /min | |
| Mecanismul de tăiere | Cap cu proeminență | |
| Tipul firului de tăiere | 2,0mm Nylon csavar vonal | |
| Lățime de tăiere | 33 cm | |
| Temperatură de funcționare recomandată | 0°C-40°C | |
| Temperatură de stocare recomandată | -20°C-70°C | |
| Greutate (fără set de acumulatori) | 2,76 kg | |
| Nivel de putere sonoră măsurat L_{WA} | 92,1 dB(A) K=1,6 dB(A) | |
| Max. Nivel de presiune sonoră la urechea operatorului L_{PA} | 72,6 dB(A) K=2,5 dB(A) | |
| Nivel de putere sonoră garantată L_{WA} (conform 2000/14/CE) | 94 dB(A) | |
| Vibrații a_n | Mâner frontal de operare | 3,3 m/s ² K=0,9 m/s ² |
| | Mâner posterior | 1,9 m/s ² K=1,5 m/s ² |

- Valoarea totală declarată a vibrațiilor a fost măsurată în conformitate cu o metodă standard de testare și poate fi utilizată pentru compararea sculelor între ele;
- Valoarea totală declarată poate fi utilizată în evaluarea preliminară a expunerii.

OBSERVAȚIE: Vibrațiile emise în timpul utilizării efective a sculei electrice pot diferi față de valoarea celor declarate pentru scula utilizată; Pentru protejerea operatorului, utilizatorul trebuie să poarte mănuși și protecții auditive în timpul utilizării efective a produsului.

CONȚINUTUL AMBALAJULUI (Fig. A1)

DESCRIERE

DESCRIEREA SUFLANTEI (Fig. A1)

- Trăgaci
- Mâner posterior
- Manetă de blocare
- Înterupător regulator de viteză
- Manșon moale

- Mâner frontal reglabil de operare
- Cap trimmer (Cap cu proeminență)
- Distanțier de protecție
- Lamă de tăiere fir
- Apărătoare
- Mecanism de ejectare
- Contacte electrice
- Încuietoare
- Buton de detașare acumulator

ASAMBLAREA

DESFĂȘURAREA TIJEI

AVERTISMENT: Nu țineți tija de articulații, pentru a evita ciupirea mâinilor sau a degetelor.

AVERTISMENT: Nu încercați să porniți cositoarea atât timp cât tija este blocată. Desfășurați ușor tija, asigurând cablul în interiorul tije și blocați-o cu două șuruburi cu ajutorul cheii furnizate (Fig.B1 și B2).

ATAȘAREA APĂRĂTORII

Aliniați orificiile de montare cu orificiile ansamblului, după care blocați apărătoarea pe baza tije cu ajutorul celor două șuruburi. Asigurați-vă că apărătoarea este fixată conform ilustrațiilor din Fig. C, orice fixare inversată va cauza un mare pericol!

MONTAREA ȘI REGLAREA MÂNERULUI FRONTAL DE OPERARE

Apăsați mânerul frontal de operare pe tijă (Fig. E), după care introduceți blocul de prindere în fanta mânerului (Fig. F), montați dispozitivul de blocare al tije, blocați-le cu piulița fluture (Fig. G). Ordinea este ilustrată în Fig. D. La final, ajustați poziția mânerului frontal de operare astfel încât brațul dumneavoastră să fie drept când utilizați trimmerul (Fig. H), după care blocați maneta dispozitivului de blocare a tije (Fig. I).

Fig. D & H pentru descrierea pieselor consultați tabelul de mai jos:

| | | | |
|-----|----------------------------|-----|------------------------|
| D-1 | Mâner frontal de operare | D-4 | Piuliță fluture |
| D-2 | Dispozitiv de blocare tijă | H-1 | Manșon moale |
| D-3 | Bloc de fixare | H-2 | Etichetă de avertizare |

OBSERVAȚIE: Mânerul frontal de operare trebuie rotit în sus pentru a fi îndreptate înspre partea de sus a mânerului.

AVERTISMENT: Instalați mânerul frontal de operare numai în fața manșonului moale.

⚠️ AVERTISMENT: Scula nu poate fi utilizată fără mânerul frontal de operare bine fixat.

FUNCȚIONAREA

⚠️ AVERTISMENT: Nu permiteți ca familiarizarea cu acest produs să vă facă neglijent. Amintiți-vă că o fracțiune de secundă de neglijență este suficientă pentru a provoca vătămări grave.

⚠️ AVERTISMENT: Purtați întotdeauna ochelari de protecție cu apărători laterale. Împreună cu protecții auditive. Nerespectarea acestei instrucțiuni ar putea avea ca rezultat proiectarea în ochi a obiectelor și alte posibile vătămări grave.

⚠️ AVERTISMENT: Nu utilizați nicio componentă sau accesoriu care nu a fost recomandat de producătorul acestui produs. Utilizarea de accesorii nerecomandate se poate solda cu vătămări grave.

⚠️ AVERTISMENT: Utilizați trimmerul dumneavoastră cu fir echipat cu firul de tăiere adecvat numai pentru tăierea ierbii și a materialului similar.

Puteți utiliza acest produs în scopurile menționate mai jos:

Curățarea: utilizat pentru îndepărtarea ierbii și a buruienilor urcate pe pereți, garduri, copaci și borduri.

Tăierea: utilizat pentru tăierea ierbii greu de accesat când folosiți o mașină de tuns iarba normală.

OBSERVAȚIE: Scula trebuie utilizată numai în scopul pentru care a fost proiectată. Orice altă utilizare, ca de exemplu tăierea marginilor, este considerată a fi caz de utilizare necorespunzătoare.

ATAȘAREA/DETAȘAREA SETULUI DE ACUMULATORI

Încărcați acumulatorul complet înainte de prima utilizare.

Utilizați numai seturile de acumulatori și încărcătorii din fig.A2.

Pentru atașare

Aliniați nervurile de pe acumulator cu fantele de instalare și apăsați în jos setul de acumulatori până la auzul unui clic(Fig. J).

Pentru detașare

Apăsați butonul de detașare al setului de acumulatori și scoateți setul de acumulatori precum în Fig. K.

APUCAREA TRIMMERULUI CU FIR

⚠️ AVERTISMENT: Îmbrăcați-vă corespunzător pentru a reduce riscul de rănire când utilizați această sculă. Nu purtați haine largi sau bijuterii. Purtați echipament de protecție/oculari și auditiv/pentru urechi. Purtați pantaloni lungi rezistenți, cizme și mănuși. Nu purtați pantaloni scurți, sandale sau să stați desculț.

Înainte de pune trimmerul în funcțiune, apucați-l cu ambele mâini, o mână pe mânerul posterior și alta pe mânerul frontal de operare care trebuie să fie drept (Fig. L). După care asigurați-vă că aveți o poziție echilibrată și stați la o distanță adecvată de tăiere fără aplecarea operatorului.

PORNIREA/OPRIREA TRIMMERULUI CU FIR

Pornirea

Apăsați în jos maneta de blocare și mențineți-o în această poziție. Apăsați trăgaciul pentru a porni trimmerul cu fir conform ilustrației din Fig. M.

Oprirea

Eliberați maneta de blocare și trăgaciul.

OBSERVAȚIE: Motorul are două viteze pentru tuns, Poziția "1" pentru viteză mai mică și Poziția "2" pentru viteză mai mare, precum în Fig. M ilustrată. Este suficient să împingeți întrerupătorul de reglare a vitezei în poziția adecvată în timpul funcționării.

Fig. M pentru descrierea pieselor consultați tabelul de mai jos:

| | |
|-----|-----------|
| M-1 | Poziția 1 |
| M-2 | Poziția 2 |

⚠️ AVERTISMENT: Întotdeauna scoateți setul de acumulatori din trimmerul cu fir în timpul pauzelor de lucru și după terminarea lucrării.

UTILIZAREA TRIMMERULUI CU FIR

⚠️ AVERTISMENT: Pentru evitarea rănilor personale grave, purtați ochelari de protecție în permanență când utilizați acest produs. Purtați mască de față sau mască de praf în locurile cu praf.

Curățați zona de tuns înainte de fiecare utilizare. Îndepărtați toate obiectele, cum ar fi pietre, sticlă spartă, cuie, sârmă sau fire care pot fi aruncate sau se pot încurca în capul de tăiere. Îndepărtați din zonă copiii, trecătorii și animalele de companie. În cel mai rău caz, țineți copiii, trecătorii și animalele la cel puțin 15m distanță; la această distanță încă persistă riscul lovirii trecătorilor cu obiecte proiectate. Trecătorii trebuie încurajați să poarte ochelari de protecție. Dacă cineva se apropie de dumneavoastră, opriți imediat motorul și capul de tăiere.

Înainte de fiecare utilizare, verificați pentru depistarea pieselor uzate/avariate.

Verificați capul cu bobina, apărătoarea și mânerul frontal de operare și înlocuiți piesele care sunt fisurate distorsionate, îndoite sau avariate în vreun fel.

Lama de tăiere a firului de pe muchia apărătorii se poate toci cu timpul. Se recomandă să o ascuțiți periodic cu o pilă sau să o înlocuiți cu una nouă.

⚠️ AVERTISMENT: Întotdeauna purtați mănuși când atașați sau ascuțiți ori înlocuiți lama. Aveți grijă de lama de pe apărătoare și protejați-vă mâna împotriva tăieturilor.

După fiecare utilizare, curățați trimmerul.

⚠️ ATENȚIE: Obstrucționarea fanțelor de aerisire va împiedica pătrunderea aerului în carcasa motorului și va provoca supraîncălzirea sau avarierea motorului.

- Utilizați numai săpun slab și o lavetă umedă pentru a curăța scula. Nu lăsați niciun lichid să pătrundă în interiorul sculei; nu scufundați niciodată vreă parte a sculei în vreun lichid.
- Păstrați în permanență fanțele de aerisire din carcasa motorului și tija curate.

⚠️ AVERTISMENT: Nu utilizați niciodată apă pentru curățarea trimmerului. Evitați utilizarea solventilor când curățați piese din plastic. Majoritatea pieselor din plastic sunt susceptibile să se deterioreze de la diverse tipuri de solventi comerciali. Utilizați cărpe curate pentru a îndepărta murdăria, praful, uleiul, vaselina etc.

AJUSTAREA LUNGIMII FIRULUI DE TĂIERE

Capul cu bobină permite utilizatorului să elibereze mai mult fir fără să oprească motorul. Pe măsură ce firul devine fragil sau uzat, fir adițional poate fi eliberat prin lovirea ușoară a butonului de derulare a firului de sol în timpul operării trimmerului (Vezi Fig. N).

OBSERVAȚIE: Eliberarea firului devine mai dificilă pe măsură ce firul devine mai scurt.

⚠️ AVERTISMENT: Nu îndepărtați sau modificați ansamblul lamei de tăiere a firului. Lungimea excesivă a firului poate cauza supraîncălzirea motorului și poate duce la răni personale grave.

ÎNLOCUIREA FIRULUI

OBSERVAȚIE: Întotdeauna utilizați firul de tăiere din nailon cu un diametru maxim de 2,0mm. Utilizarea unui fir diferit de cel specificat poate duce la supraîncălzirea trimmerului cu fir sau la avarierea acestuia.

⚠️ AVERTISMENT: Nu utilizați niciodată fir de metal ranforsat, sârmă, frânghie, etc. Acestea se pot rupe și pot deveni proiectile periculoase.

Există două metode de înlocuire a firului de tăiere:

1. Înfășurați pe bobină un fir nou.
2. Instalați o bobină deja înfășurată (AS1302, dacă este nevoie, disponibilă la furnizor).

Înfășurați pe bobină un fir nou.

Apăsăți cele două clape de detașare de pe baza bobinei și scoateți suportul de bobină (Fig. O). Măsurați aproximativ 5m de fir nou de tăiere. Îndoiti și înfășurați în jurul bobinei precum în ilustrațiile din Fig. P & Q. După care amplasați capetele firului prin cele două creștături opuse de pe bobină (Fig. R) și amplasați bobina în suportul său cu creștăturile aliniate cu orificiile suportului de bobină (Fig. T). În ultimul rând, aliniați fanțele suportului cu cele două clape de pe baza bobinei și apăsați uniform suportul în jos, asigurându-vă că se anclanșează (Fig. S).

OBSERVAȚIE: Întotdeauna curățați suportul bobinei, bobina și baza bobinei înainte de a reasambla capul trimmerului. Verificați suportul bobinei, bobina și baza bobinei pentru depistarea urmelor de uzură. Dacă este nevoie, înlocuiți piesele uzate.

OBSERVAȚIE: Neînșurarea firului în direcția indicată va duce la funcționarea greșită a capului trimmerului.

Instalarea unei bobine deja înfășurate

Apăsăți cele două clape de detașare de pe baza bobinei și scoateți suportul de bobină (Fig. O). După care amplasați bobina deja înfășurată în suport cu creștăturile aliniate cu orificiile suportului (Fig. T). În ultimul rând, aliniați fanțele suportului cu cele două clape de pe baza bobinei și apăsați uniform suportul în jos, asigurându-vă că se anclanșează (Fig. S).

Fig. S & T pentru descrierea pieselor consultați tabelul de mai jos:

| | | | |
|-----|-------|-----|------------|
| S-1 | Clapă | T-1 | Creștătură |
| S-2 | Fantă | T-2 | Orificiu |

OBSERVAȚIE: Clapele de pe baza bobinei trebuie să se anclanșeze în locaș altfel bobina va ieși în timpul funcționării.

ÎNȚREȚINEREA

⚠️ AVERTISMENT: Când efectuați operații de service, utilizați doar piese de schimb identice. Utilizarea oricăror altor piese poate crea un pericol sau poate produce o deteriorare. Pentru siguranța și fiabilitatea produsului, toate reparațiile ar trebui efectuate de către un tehnician de service autorizat.

⚠️ AVERTISMENT: Sculele electrice alimentate cu baterii nu trebuie să fie racordate la o priză electrică, de aceea, acestea sunt întotdeauna în stare de funcționare. Pentru prevenirea rănilor personale grave, adoptați măsuri de siguranță suplimentare și de îngrijire când efectuați operații de întreținere, service sau înlocuiți accesoriile de tăiere sau alte accesorii.

⚠️ AVERTISMENT: Pentru prevenirea rănilor personale grave, scoateți setul de acumulatori din sculă înainte de a depana, curăța, înlocui accesorii detașabile sau de a îndepărta materialul din produs.

CURĂȚAREA PRODUSULUI

- Curățați produsul cu ajutorul unei cârpe umede și cu detergent slab.
- Nu utilizați detergenți puternici pe carcasa de plastic sau pe mâner. Acestea pot fi deteriorarea de anumite uleiuri parfumate precum brad și lămâie, și de către solvenți precum kerosenul. Umezeala poate cauza un risc de electrocutare. Ștergeți orice urmă de umezeală cu o cârpă uscată.
- Utilizați o perie mică sau fanta de aer cu perie a unui aspirator mic pentru a curăța fantele de aerisire de obstrucții de pe carcasa posterioară.

DEPOZITAREA PRODUSULUI

- Scoateți setul de acumulatori din trimmerul cu fir când acesta nu este utilizat.
- Curățați scula bine înainte de a o depozita.
- Depozitați aparatul într-un loc uscat, bine aerisit, închis cu cheia sau la înălțime, în care copiii nu au acces. Nu depozitați produsul pe sau lângă fertilizanți, benzină sau alte chimicale.

Protejarea mediului înconjurător



Nu eliminați echipamentul electric, încărcătorul de acumulator și acumulatorul împreună cu deșeurile menajere! Predați acest produs unui punct de reciclare autorizat sau puneți-l la dispoziția colectării separate. Sculele electrice trebuie returnate unui centru de reciclare ecologic.

RO

GHID DE DEPANARE

| PROBLEMĂ | CAUZĂ | SOLUȚIE |
|--|--|---|
| Trimmerul cu fir nu pornește. | <ul style="list-style-type: none"> ■ Setul de acumulatori nu este atașat de trimmer. ■ Nu există contact electric între trimmer și acumulator. ■ Setul de acumulatori este descărcat. ■ Maneta de blocare și trăgaciul nu sunt apăstate simultan. | <ul style="list-style-type: none"> ■ Atașați setul de acumulatori de trimmer. ■ Îndepărtați acumulatorul, verificați contactele și reinstalați setul de acumulatori. ■ Încărcați setul de acumulatori. ■ Apăsați în jos maneta de blocare și țineți-o apăsată, după care apăsați trăgaciul declanșator pentru a porni trimmerul. |
| FIRUL trimmerului se oprește în timpul utilizării. | <ul style="list-style-type: none"> ■ Apărătoarea nu este montată pe trimmer, rezultând un fir prea lung de depășește și un motor suprasolicitat. ■ Este utilizat un fir gros. ■ Axul motorului sau capul trimmerului sunt blocate cu iarbă. ■ Motorul este suprasolicitat. ■ Setul de acumulatori sau trimmerul sunt prea fierbinți. ■ Setul de acumulatori este deconectat de la sculă. ■ Setul de acumulatori este descărcat. | <ul style="list-style-type: none"> ■ Îndepărtați setul de acumulatori și montați apărătoarea pe trimmer. ■ Utilizați fir de tăiere de nailon standard cu diametrul maxim de 2,0mm. ■ Opriti trimmerul, îndepărtați acumulatorul și curățați iarbă de pe axul motorului și capul trimmerului. ■ Îndepărtați capul trimmerului din iarbă. Motorul își va reveni imediat ce sarcina este îndepărtată. Când tăiați, deplasați capul trimmerului în iarbă și în afara ei pentru a o tăia și îndepărtați maxim 20cm de lungime dintr-o tăiere. ■ Lăsați setul de acumulatori sau trimmerul cu fir să se răcească până când temperatura scade sub 67°C. ■ Reinstalați setul de acumulatori. ■ Încărcați setul de acumulatori. |

RO

| PROBLEMĂ | CAUZĂ | SOLUȚIE |
|--|---|---|
| Capul trimmerului nu mai debitează fir. | <ul style="list-style-type: none"> ■ Axul motorului sau capul trimmerului sunt blocate cu iarbă. ■ Pe bobină nu mai este suficient fir. ■ Capul trimmerului este murdar. ■ Firul este încurcat pe bobină. ■ Firul este prea scurt. | <ul style="list-style-type: none"> ■ Opriți trimmerul, îndepărtați acumulatorul și curățați iarba de pe axul motorului și capul trimmerului. ■ Îndepărtați acumulatorul și înlocuiți firul de tăiere; respectați instrucțiunile din capitolul "ÎNLOCUIREA FIRULUI" din acest manual. ■ Îndepărtați acumulatorul și curățați bobina, suportul bobinei și baza acesteia. ■ Îndepărtați acumulatorul, îndepărtați firul de pe bobină și înfășurați; respectați instrucțiunile din capitolul "ÎNLOCUIREA FIRULUI" din acest manual. ■ Scoateți acumulatorul și scoateți firele în timp ce apăsați alternativ în jos pe și eliberați butonul de derulare a firului. |
| Iarbă înfășurată în jurul capului trimmerului și a carcasei motorului. | <ul style="list-style-type: none"> ■ Tăierea ierbii înalte la nivelul solului. | <ul style="list-style-type: none"> ■ Tăiați iarba înaltă de sus în jos, îndepărtând maxim 20cm cu fiecare tăiere pentru a preveni înfășurarea. |
| Firul nu taie bine. | <ul style="list-style-type: none"> ■ Lama de tăiere a firului situată pe marginea apărătorii s-a tocit. | <ul style="list-style-type: none"> ■ Ascuțiți lama de tăiere a firului cu o pilă sau înlocuiți-o cu una nouă. |

GARANȚIA

POLITICA DE GARANȚIE EGO

Vă rugăm consultați website-ul egopowerplus.com pentru termenii și condițiile complete ale politicii de garanție EGO.

RO

PREBERITE VSA NAVODILA!



PREBERITE PRIROČNIK Z NAVODILI ZA UPORABO

⚠ OPOZORILO: Tveganje zaradi preostalega toka! Pred uporabo izdelka se morajo osebe z elektronskimi napravami, kot je srčni spodbujevalnik, posvetovati s svojim zdravnikom. Delovanje električne opreme v bližini srčnega spodbujevalnika lahko povzroči motnje ali okvaro srčnega spodbujevalnika.



Varnostno opozorilo



Nosite zaščito za oči – pri upravljanju tega izdelka vedno nosite zaščitna očala ali varnostna očala s stransko zaščito in zaščito za celoten obraz.



Nosite zaščito za ušesa – pri upravljanju tega izdelka vedno nosite zaščito za ušesa.



Uporabljajte zaščito za glavo – za zaščito glave nosite odobreno varnostno čelado.



Ne nameščajte okroglih rezil.



Širina – največja širina košnje kosilnice z nitko

SL



Poskrbite, da bodo drugi ljudje in hišni ljubljenci vsaj 15 m stran od kosilnice z nitko, ko je v uporabi.



Ta izdelek je skladen z veljavnimi direktivami ES.



Odpadnih električnih izdelkov ne odlagajte med gospodinjne odpadke. Odnosite jih v pooblaščen obrat za recikliranje.

V Napetost

.../min Na minuto

kg Kilogram

VARNOSTNI SIMBOLI

⚠ OPOZORILO: delovanje katerega koli električnega orodja lahko povzroči metanje tujkov v vaše oči, kar lahko povzroči resne poškodbe očesa. Pred začetkom dela z električnim orodjem vedno nosite zaščitna očala ali varnostna očala s stranskimi zaščitami in po potrebi tudi ščit za celoten obraz. Priporočamo vam uporabo varnostne maske Wide Vision Safety Mask za uporabo preko očal ali standardnih varnostnih očal s stransko zaščito..



Za zmanjšanje nevarnosti poškodb je pomembno, da uporabnik prebere priročnik z navodili za uporabo.



Uporabljajte zaščitno obutev – med uporabo te opreme nosite nedrsečo zaščitno obutev.



Uporabljajte zaščitne rokavice – pri rokovanju z rezilom ali zaščito rezila roke zaščitite z rokavicami.



Bodite pozorni na sunek rezila – upravljavca opozorite na nevarnost sunka rezila.



Premer – premer najlonske nitke



Sunjeni predmeti se lahko odbijejo in povzročijo telesno poškodbo ali poškodbo lastnine. Poskrbite, da bodo drugi ljudje in hišni ljubljenci ustrezno oddaljeni od motorne kose, ko je ta v uporabi.



Naprave ne uporabljajte v dežju ali je puščajte zunaj, ko dežuje.



Ta izdelek je v skladu z veljavno zakonodajo Združenega kraljestva.



Zajamčena raven zvočne moči. Emisije hrupa v okolico so v skladu z direktivo Evropske skupnosti.

n_0 Hitrost brez obremenitve-Vrtlina hitrost brez obremenitve

⚡ Enosmerni tok

TEHNIČNI PODATKI

| | |
|---|---|
| Napetost | 56 V |
| No Load Speed | Visoko: 6500 /min Nizko: 5200 /min |
| Mehanizem za košnjo | udarna glava |
| Vrsta nitke za košnjo | 2,0mm Nylon Twist linka |
| Širina košnje | 33 cm |
| Priporočena delovna temperatura | 0°C-40°C |
| Priporočena temperatura za shranjevanje | -20°C-70°C |
| Teža (baterijskega sklopa) | 2,76 kg |
| Izmerjena raven zvočnega tlaka L_{WA} | 92,1 dB(A) K=1,6 dB(A) |
| Max. Raven zvočnega tlaka v ušesu upravljavca L_{PA} | 72,6 dB(A) K=2,5 dB(A) |
| Zajamčena raven zvočnega tlaka L_{WA} (glede na 2000/14/EC) | 94 dB(A) |
| Vibracije a_h | Sprednji ročaj za prijem |
| | Zadnji ročaj |

- Deklarirana skupna vrednost vibracij je bila izmerjena v skladu s standardno preskusno metodo in se lahko uporabi za medsebojno primerjavo različnih orodij;
- Navedena skupna vrednost vibracij se lahko uporabi za predhodne ocene izpostavljenosti.

OPOMBA: Emisije vibracij se lahko med dejansko uporabo električnega orodja razlikujejo od deklarirane vrednosti, pri kateri se orodje uporablja. Z namenom zaščite upravljavca mora uporabnik v dejanskih pogojih uporabe nositi rokavice in zaščito za ušesa.

SEZNAM PAKIRANJA (Slika A1)

OPIS

SPOZNAJTE SVOJ PUHALNIK (slika A3)

1. Sprožilec
2. Zadnji ročaj
3. Sprožilec
4. Stikalo za prilagajanje hitrosti
5. Mehak rokav

6. Nastavljiv sprednji ročaj za prijem
7. Glava kosilnice z nitko (udarna glava)
8. Gumb udarne glave
9. Rezilo z nitko
10. Ščitnik
12. Mehanizem za izmet
13. Električni kontakti
14. Zaklep
15. Gumb za sprostitvev baterije

SESTAVA

RAZPRTJE GREDI

OPOZORILO: gredi ne držite za spoje, da si ne priščipnete dlani ali prstov.

OPOZORILO: rezalnika ne poskušajte zagnati, dokler je gred blokirana. Previdno razprite gred in pri tem poskrbite, da kabel ostane v gredi, nato pa zablokirajte gred z dvema vijakoma, ki ju privijete s priloženim izvijačem (sliki B1 in B2).

MONTAŽA ŠČITNIKA

Luknje za montažo ščitnika poravnajte in nato ščitnik zaklenite na podnožje gredi z dvema vijakoma. Prepričajte se, da je ščitnik pritrjen v skladu s slikama C. Kakršna koli drugačna namestitvev bo povzročila veliko nevarnost.

MONTAŽA IN PRILAGAJANJE SPREDNJEGA ROČAJA ZA PRIJEM

Sprednji ročaj za prijem potisnite na gred (slika E), nato vstavite pritrtilni blok v režo ročaja (slika F), namestite zaklepno palico in ju zaklenite z matico (slika G). Zaporedje prikazuje slika D. Nazadnje, prilagodite položaj sprednjega ročaja za prijem, tako, da boste imeli pri uporabi kosilnice z nitko roko iztegnjeno (slika H), nato pa zaklenite vzvod zaklepne palice (slika I).

Sliki D in H: za opis delov glejte spodaj:

| | | | |
|-----|--------------------------|-----|----------------------|
| D-1 | Sprednji ročaj za prijem | D-4 | Matica |
| D-2 | Zaklepna palica | H-1 | Mehak rokav |
| D-3 | Pritrdilni blok | H-2 | Nalepka z opozorilom |

OPOMBA: Sprednji ročaj za prijem mora biti obrnjen navzgor proti vrhu ročaja.

OPOZORILO: Sprednji ročaj za prijem fiksirajte samo pred mehkim rokavom na gredi.

OPOZORILO: Orodja ne morete uporabljati brez zanesljive fiksacije sprednjega ročaja za prijem.

SL

DELOVANJE

⚠ OPOZORILO: Četudi se dodobra seznanite s tem izdelkom, pri rokovanju z njim ne postanite neprevidni. Pomnite, da je brezskrbni delec sekunde dovolj za resno poškodbo.

⚠ OPOZORILO: Vedno nosite zaščito za oči, ki ima varovanje tudi s strani. Prav tako nosite zaščito za sluh. Če tega ne storite, vam lahko v oči priletijo predmeti ali pa se lahko zgodijo druge hude poškodbe.

⚠ OPOZORILO: Ne uporabljate priključkov ali dodatkov, ki jih proizvajalec tega izdelka ne priporoča. Uporaba priključkov ali dodatkov, ki niso priporočeni, lahko privede do resnih osebnih poškodb.

⚠ OPOZORILO: Kosilnico z nitko uporabljajte le s primerno nitko za košnjo trave in podobnega materiala.

Ta izdelek lahko uporabljate za:

Obrezovanje: uporablja se za odstranjevanje trave in plevela ob stenah, ograjah, drevesih in mejah.

Košnja: uporablja se za košnjo trave, ki jo je z običajno kosilnico težko doseči.

OPOMBA: Orodje se lahko uporablja samo za predpisan namen. Kakršna koli druga uporaba, kot je obrezovanje robov, se smatra za nepravilno uporabo.

PRIKLJUČITEV/ODKLAPLANJE BATERIJSKEGA SKLOPA

SL Pred prvo uporabo ga popolnoma napolnite.

Napravo uporabljajte le z akumulatorskimi baterijami in polnilniki, navedenimi v sliki A2.

Za priključitev

Rebra baterije poravnajte z režami za namestitvev in baterijski sklop potisnite navzdol, da zaslišite klik. (slika J)

Za odklapanje

Pritisnite gumb za sprostitev baterije in baterijski sklop potegnite ven, kot prikazuje slika K.

PRIJEM KOSILNICE Z NITKO

⚠ OPOZORILO: Za upravljanje tega orodja se primerno oblecite, da zmanjšate nevarnost poškodb. Ne nosite ohlapnih oblačil ali nakita. Nosite zaščito za oči in sluh. Nosite robustne dolge hlače, škornje in rokavice. Ne nosite kratkih hlač, sandalov ali bodite bos.

Pred upravljanjem kosilnico z nitko držite z obema rokama, eno roko imejte na zadnjem ročaju, drugo pa na sprednjem ročaju za prijem, ki mora biti raven (slika L). Nato preverite za uravnoteženo oporo in primerno razdaljo za košnjo, ne da bi se upravljaev sklanjal.

ZAGON/ZAUSTEVITEV KOSILNICE Z NITKO

Zagon

Vzvod za odklepanje pritisnite navzdol, in ga držite v tem položaju. Pritisnite sprožilec, da vključite kosilnico z nitko, kot prikazuje slika M.

Zaustavitev

Sprostite vzvod za odklepanje in sprožilec.

OPOMBA: Motor ima dve hitrosti za košnjo: pozicija 1 za nizko hitrost in pozicija 2 za visoko hitrost, kot prikazuje slika M. Med košnjo enostavno potisnite stikalo za prilaganje hitrosti v položaj, ki vam ustreza.

Slika M: za opis delov glejte spodaj:

| | |
|-----|-----------|
| M-1 | Položaj 1 |
| M-2 | Položaj 2 |

⚠ OPOZORILO: Med delovnimi odmori in po končanem delu iz kosilnice z nitko vedno odstranite baterijski sklop.

UPORABA KOSILNICE Z NITKO

⚠ OPOZORILO: Da se izognete resni telesni poškodbi, nosite očala ali zaščitna očala ves čas upravljanja enote. Na prašnih lokacijah uporabljajte obrazno masko ali protiprašno masko.

Območje rezanja pred vsako uporabo počistite. Odstranite vse predmete, kot so kamni, zdrobljeno steklo, žebli, žica ali vrvi, ki jih lahko vrže ali se zapletejo v priključek za košnjo. Na območju naj ne bo otrok, opazovalcev in hišnih ljubljencev. Otroci, opazovalci in hišni ljubljenci naj bodo oddaljeni vsaj 15 m. Še vedno lahko obstaja nevarnost letečih predmetov za opazovalce. Prisotni naj uporabljajo tudi zaščito sluha. Če pristopite, takoj ustavite motor in priključek za košnjo.

Pred vsako uporabo napravo pregledite za poškodovane/obrabljene dele

Pregledite udarno glavo, ščitnik in sprednji ročaj za prijem ter zamenjajte dele, ki so razpokani, zvitji, upognjeni ali kakor koli poškodovani.

Rezilo z nitko na robu ščitnika lahko sčasoma postane topo. Priporočljivo je, da ga redno ostrite s pilo ali ga zamenjate z novim rezilom.

⚠ OPOZORILO: Pri montaži ščitnika oziroma ostrenju ali zamenjavi rezila vedno nosite rokavice. Pazite na rezilo na ščitniku in dlan zaščitite, da se ne urežete.

Kosilnico z nitko po vsaki uporabi očistite.

⚠ SVARILO: Ovire v zračnikih bodo preprečile dovod zraka v ohišje motorja, kar bo vodilo v pregrevanje in poškodbe motorja.

- Orodje očistite le z blagim milom in vlažno krpo. Ne dovolite, da bi tekočina vstopila v orodje. Nobenega dela orodja nikoli ne potopite v katero koli tekočino.
- Zračne odprtine v ohišju motorja naj bodo ves čas proste.

⚠ OPOZORILO: Obrezovalnika nikoli ne čistite z vodo. Pri čiščenju plastičnih delov se izogibajte uporabi topil. Večina vrst plastike se lahko pri uporabi različnih komercialnih topil poškoduje. Za odstranjevanje prahu, umazanije, olja, masti itd. uporabite čiste krpe.

PRILAGAJANJE DOLŽINE NITKE

Udarna glava upravljavcu omogoča sprostitve več nitke za košnjo brez zaustavitve motorja. Ko se nitka scefra ali obrabi, lahko sprostite dodatno nitko tako, da narahlo potolčete gumb udarne glave med delovanjem kosilnice (slika N).

OPOMBA: Sproščanje nitke bo postalo težje s tem, ko bo postala nitka krajša.

⚠ OPOZORILO: Sklopa rezila ne odstranjujte ali spreminjajte. Prevelika dolžina nitke bo povzročila pregrevanje motorja, ki lahko vodi v resno telesno poškodbo.

ZAMENJAVA NITKE

OPOMBA: Vedno uporabljajte priporočeno najlonsko nitko za košnjo s premerom, ki ni večji od 2,0 mm. Uporaba drugačne nitke lahko povzroči pregretje ali poškodbe kosilnice z nitko.

⚠ OPOZORILO: Nikoli ne uporabljajte nitke s kovinsko ojačitvijo, žice, vrvi itd. Lahko se odtrgajo in postanejo nevarne.

Obstajata dva načina za zamenjavo nitke za košnjo:

1. Na vreteno navijte novo nitko.
2. Namestite predhodno navito vreteno (AS1302, če je potrebno, je na voljo pri prodajalcu).

Navijanje nove nitke na vreteno

Pritisnite dva jezička za sprostitve podnožja vretena in izvlecite držalo vretena (slika O). Izvlecite približno 5 m nove nitke za košnjo. Zložite in zvijte jo na vreteno, kot prikazujeta sliki P in Q. Nato konca nitke povlecite skoti

ločeni zarez v vretenu (slika R) ter vreteno namestite v držalo tako, da bosta zarez poravnani z luknjicama v držalu (slika T). Nazadnje reži držala poravnajte z jezičkoma na podnožju vretena ter držalo enakomerno potisnite navzdol. Prepričajte se, da se držalo zaskoči na mesto (slika S).

OPOMBA: Držalo vretena vedno očistite pred ponovno namestitvijo glave kosilnice z nitko. Držalo vretena, vreteno in podnožje vretena pregledajte za obrabo. Če je treba, obrabljene dele zamenjajte.

OPOMBA: Če nitke ne boste navili v prikazani smeri, potem bo glava kosilnice z nitko delovala nepravilno.

Namestitev predhodno navitega vretena

Pritisnite dva jezička za sprostitve podnožja vretena in izvlecite držalo vretena (slika O). Potem predhodno navito vreteno namestite v držalo tako, da zarez poravnate z luknjicama v držalu (slika T). Nazadnje reži držala poravnajte z jezičkoma na podnožju vretena ter držalo enakomerno potisnite navzdol. Prepričajte se, da se držalo zaskoči na mesto (slika S).

Sliki S in T: za opis delov glejte spodaj:

| | | | |
|-----|---------|-----|----------------------|
| S-1 | Zavihek | T-1 | Zarez |
| S-2 | Reža | T-2 | Vstavitvena odprtina |

OPOMBA: Prepričajte se, da se jezički na podnožju vretena zaskočijo na mesto, v nasprotnem primeru bo vreteno med delovanjem odpadlo.

VZDRŽEVANJE

⚠ OPOZORILO: Pri servisiranju uporabljajte le identične nadomestne dele. Uporaba drugih delov je tvegana in lahko povzroči škodo na izdelku. Za zagotovitev varnosti in zanesljivosti mora vsa popravila izvesti usposobljen serviser.

⚠ OPOZORILO: Baterijskih orodij ni potrebno vključiti v električno vtičnico, zato so vedno v stanju delovanja. Da preprečite resno telesno poškodbo, bodite izjemno previdni pri vzdrževanju, servisiranju ali zamenjavi priključka za košnjo oziroma drugih priključkov.

⚠ OPOZORILO: Da preprečite resno telesno poškodbo, pred servisiranjem, čiščenjem, zamenjavo priključkov ali odstranjevanjem materiala iz enote odstranite baterijski sklop iz orodja.

ČIŠČENJE ENOTE

- Enoto očistite z vlažno krpo in blagim detergentom.

- Za čiščenje plastičnega dela ročaja ne uporabljajte močnih čistilnih sredstev. Poškodujejo ga lahko določena aromatična olja, kot sta olje bora in limone, ter topila, kot je kerozin. Vlaga prav tako lahko ustvari nevarnost električnega udara. Vlago obrišite z mehko in suho krpo.
- Zračne odprtine v zadnjem delu ohišja očistite z majhno krtačo ali vakuumsko čistilno krtačo.

Shranjevanje enote

- Kadar ni v uporabi, iz kosilnice z nitko odstranite baterijski sklop.
- Orodje pred shranjevanjem temeljito očistite.
- Shranite ga v suhem in dobro zračenem prostoru, ki se zaklepa ali je dvignjen, da ne bo na dosegu otrok. Enote ne shranjujte na ali v bližino gnojil, bencina ali drugih kemikalij.

Varovanje okolja



Električne opreme, iztrošene baterije in polnilnika ne odvrzite med gospodinske odpadke. Izdelek odnesite na pooblaščen obrat za recikliranje in ga zavrzite ločeno. Električna orodja je treba odnesti na obrat za recikliranje in ga reciklirati na okolju prijazen način.

ODPRAVLJANJE TEŽAV

| TEŽAVA | VZROK | REŠITEV |
|---|--|---|
| Kosilnica z nitko se ne vključi. | <ul style="list-style-type: none"> ■ Baterijski sklop ni pritrjen na kosilnico z nitko. ■ Med kosilnico z nitko in baterijo ni električnega stika. ■ Baterijski sklop je izprazen. ■ Vzvod za odklepanje in sprožilec nista bila pritisnjena hkrati. | <ul style="list-style-type: none"> ■ Baterijski sklop pritržite na kosilnico z nitko. ■ Odstranite baterijo, preverite kontakte in ponovno namestite baterijski sklop. ■ Napolnite baterijski sklop. ■ Vzvod za odklepanje pritisnite navzdol in ga pridržite, nato pritisnite sprožilec, da vključite kosilnico z nitko. |
| Kosilnica z nitko se med delovanjem ustavi. | <ul style="list-style-type: none"> ■ Na kosilnici z nitko ni nameščenega ščitnika, kar je povzročilo predolgo nitko in preobremenjenost motorja. ■ Uporabljate težko nitko za košnjo. ■ Gred motorja ali glava kosilnice nitke je zamašena s travo. ■ Motor je preobremenjen. ■ Baterijski sklop ali kosilnica z nitko je prevroča. ■ Baterijski sklop je odklopljen iz orodja. ■ Baterijski sklop je izprazen. | <ul style="list-style-type: none"> ■ Odstranite baterijski sklop in ščitnik namestite na kosilnico z nitko. ■ Uporabljajte standardno najlonsko nitko s premerom do 2,0 mm. ■ Ustavite kosilnico z nitko, odstranite baterijo in odstranite travo iz gredi motorja in glave kosilnice z nitko. ■ Glavo kosilnice z nitko odstranite iz trave. Motor bo zopet deloval, ko boste odstranili obremenitev. Pri košnji premikajte glavo kosilnice z nitko v in iz trave ter je ne ob enem rezu ne premaknite več kot 20 cm. ■ Baterijski sklop ali kosilnico z nitko ohladite do temperature, ki je nižja od 67 °C. ■ Ponovno namestite baterijski sklop. ■ Napolnite baterijski sklop. |
| Glava kosilnice z nitko ne podaja nitke. | <ul style="list-style-type: none"> ■ Gred motorja ali glava kosilnice nitke je zamašena s travo. ■ Na vretenu ni dovolj nitke. ■ Glava kosilnice z nitko je umazana. ■ Nitka je zapletena na vretenu. ■ Nitka je prekratka. | <ul style="list-style-type: none"> ■ Ustavite kosilnico z nitko, odstranite baterijo in odstranite travo iz gredi motorja in glave kosilnice z nitko. ■ Odstranite baterijo in namestite nitko. Pri tem sledite navodilom v razdelku »ZAMENJAVA NITKE« tega priročnika. ■ Odstranite baterijo in očistite vreteno, držalo vretena in podnožje vretena. ■ Odstranite baterijo, odstranite nitko z vretena in jo ponovno navijte. Pri tem sledite navodilom v razdelku »ZAMENJAVA NITKE« tega priročnika. ■ Odstranite baterijo in povlecite nitko, medtem ko izmenično pritiskate in sprostite gumb udarne glave. |

| TEŽAVA | VZROK | REŠITEV |
|---|--|--|
| Trava se ovija okrog glave kosilnice z nitko in ohišja motorja. | <ul style="list-style-type: none">■ Travo režite pri tleh.. | <ul style="list-style-type: none">■ Visoko travo kosite z vrha navzdol in je naenkrat ne pokosite več kot 20 cm, da preprečite ovijanje. |
| Nitka ne kosi dobro. | <ul style="list-style-type: none">■ Rezilo z nitko na robu ščitnika je postalo topo. | <ul style="list-style-type: none">■ Naostrite ga s pilo ali ga zamenjate z novim rezilom.. |

GARANCIJA

GARANCIJSKA POLITIKA DRUŽBE EGO

Za popolne pogoje garancijske politike družbe EGO obiščite spletno stran egopowerplus.com.

SL

PERSKAITYKITE VISĄ INSTRUKCIJĄ!



PERSKAITYKITE NAUDOJIMO INSTRUKCIJĄ

⚠ [SPĖJIMAS]: Liekamasis pavojus! Žmonėms, kuriems implantuoti elektroniniai prietaisai, pvz., širdies stimulatoriai, prieš pradėdami naudoti šį gaminį, reikia pasitarti su savo gydytoju (-ais). Arti širdies stimulatoriaus veikianti elektros įranga gali trikdyti širdies stimulatoriaus veikimą arba jį sugadinti.



Saugos įspėjimas



Dėvėkite akių apsaugos priemones naudodami šį gaminį, visada užsidėkite apsauginius akinius arba apsauginius akinius su šonine apsauga ar visą veidą dengiantį skydelį.



Dėvėkite ausų apsaugos priemones dirbdami su šiuo gaminiu visada užsidėkite apsaugines ausines.



Užsidėkite galvos apsaugos priemonę galvai apsaugoti užsidėkite patvirtintą apsauginį šalną.



Nenaudokite apskritų pjovimo diskų.



Plotis: didžiausiasis žoliapjovės su lyneliu pjovimo tako plotis.



Pjaudami žoliapjove su lyneliu, neleiskite kitiems žmonėms ir naminiams gyvūnams prisitarti arčiau nei per 15 metrų.



Šis gaminytis atitinka taikomas EB direktyvas.



Netinkamus naudoti elektros prietaisus draudžiama išmesti kartu su buitinėmis atliekomis. Pristatyti įgaliojotam perdirbėjui.

V Įtampa

.../min Per minutę

kg Kilogramai

SAUGOS SIMBOLIAI

⚠ [SPĖJIMAS]: Bet koks elektrinis įrankis naudojimo metu gali išsviesti šiukšles, kurios gali pataikyti į akis ir sunkiai jas sužaloti. Prieš pradėdami naudoti elektrinį įrankį, visada užsidėkite apsauginius akinius arba apsauginius akinius su šonine apsauga ir, jei reikia, visą veidą dengiantį skydelį. Rekomenduojame naudoti platų matymo lauką užtikrinančią apsauginę kaukę, dedamą ant akinių, arba standartinius apsauginius akinius su šonine apsauga.



Norėdamas sumažinti susižalojimo pavojų, naudotojas privalo perskaityti naudojimo instrukciją.



Avėkite apsauginę avalynę naudodami šį gaminį mėvėkite neslidžią avalynę.



Mėvėkite apsaugines pirštines tvarkydami peilį ar jo apsaugą, apsaugokite rankas pirštinėmis.



Saugokitės pjovimo galvutės atatrankso įspėkite operatorių apie peilio atoveiksmio keliamą pavojų.



Skersmuo: nailoninio pjovimo lynelio skersmuo.



Išsviesti svetimkūniai gali atšokti ir sužaloti žmones ar sugadinti turtą. Kiti žmonės ir naminiai gyvūnai turi atsitraukti toliau nuo naudojamos žoliapjovės.



Nenaudokite lyjant ir nepalikite lauke per lietus.



Šis gaminytis atitinka jam taikomus JK reglamentus.



Garantuojamas garso galios lygis. Triukšmo sklaida į aplinką atitinka Europos Bendrijos direktyvą.

n_0 Sūčiai be apkrovos-Sukimosi greitis be apkrovos

☰ Nuolatinė elektros srovė

LT

TECHNINIAI DUOMENYS

| | | |
|---|--------------------------------------|--|
| Įtampa | 56 V --- | |
| Sūčiai be apkrovos | Dideli: 6500 /min Maži: 5200 /min | |
| Pjovimo mechanizmas | Pjovimo galvutė | |
| Pjovimo valo tipas | 2,0mm Nailono Twist linijos | |
| Pjovimo plotis | 33 cm | |
| Rekomenduojama darbo temperatūra | 0°C-40°C | |
| Rekomenduojama laikymo temperatūra | -20°C-70°C | |
| Svoris (be sudėtinės baterijos) | 2,76 kg | |
| Išmatuotas garso galios lygis L_{WA} | 92,1 dB(A) K=1,6 dB(A) | |
| Maksimalus garso slėgio lygis ties operatoriaus ausimi L_{PA} | 72,6 dB(A) K=2,5 dB(A) | |
| Garantuojamas garso galios lygis L_{WA} (išmatuotas pagal 2000/14/EB) | 94 dB(A) | |
| Vibracija a_n | Priekinė pagalbinė rankena | 3,3 m/s ² K=0,9 m/s ² |
| | Galinė rankena | 1,9 m/s ² K=1,5 m/s ² |

- Nurodyta bendroji vibracijos vertė išmatuota taikant standartinį bandymo metodą, todėl pagal ją galima palyginti skirtingus įrenginius.
- Nurodytą bendrąją vibracijos vertę taip pat galima naudoti pirminiam poveikio vertinimui.

PASTABA: Naudojant įrenginį realiomis sąlygomis, sklaidžiamos vibracijos stiprumo vertė gali skirtis nuo nurodytos. Kad apsisaugotų dirbdamas realiomis sąlygomis, naudotojas turi mūvėti pirštines ir naudoti ausų apsaugos priemones.

PAKUOTĖS TURINIO SĄRAŠAS (A1 pav.)

APRAŠAS

SUŽINOKITE, KAIP VEIKIA ŽOLIAPJOVĖ (A1 pav.)

1. Gaidukas
2. Galinė rankena
3. Fiksavimo svirtis
4. Greičio reguliavimo jungiklis
5. Minkšta mova
6. Reguluojama priekinė pagalbinė rankena

7. Pjovimo galvutė
8. Atlaisvinimo mygtukas
9. Valo nukirtimo peilis
10. Apsaugos priemonė
11. Išstūmimo mechanizmas
12. Elektros kontaktai
13. Fiksatorius
14. Akumuliatoriaus atlaisvinimo mygtukas

SURINKIMAS

KOTO PAILGINIMAS

⚠️ ĮSPĖJIMAS: koto nelaikykite ties sudūrimais, kad nesugnybtumėte pirštų.

⚠️ ĮSPĖJIMAS: nebandykite paleisti žoliajovės neužfiksavę koto. Kotą ilginkite atsargiai taip, kad kabelis liktų koto viduje, ir užfiksukite dviem varžtais, priverždami juos pridėdamu raktu (B1 ir B2 paveikslai).

APSAUGOS PRIEMONĖS MONTAVIMAS

Sulyginkite apsaugos priemonės tvirtinimo skylės su bloko skylėmis, tada pritvirtinkite apsaugos priemonę ant veleno pagrindo dviem varžtais. Įsitinkite, kad apsaugos priemonė pritvirtinta pagal C, nes dėl bet kokio pritvirtinimo atvirkščiai kils didelis pavojus!

PRIEKINĖS PAGALBINĖS RANKENOS MONTAVIMAS IR REGULIAVIMAS

Užstumkite priekinę pagalbinę rankeną ant veleno (E pav.), tada į rankenos lizdą (F pav.) įstatykite fiksavimo kaladėlę, uždėkite fiksavimo kaištį ir užfiksukite juos sparnuotąja varžle (G pav.). Darbo tvarka parodyta D pav. Galiausiai sureguliuokite priekinės pagalbinės rankenos padėtį taip, kad jūsų priekyje laikoma ranka naudojant žoliajovę būtų ištiesta (H pav.), o tada užrakinkite fiksavimo kaiščio svirtį (I pav.).

Toliau pateiktas D ir H pav. parodytų dalių aprašas:

| | | | |
|-----|-------------------------|-----|-----------------|
| D-1 | Předná pomocná rukovět' | D-4 | Křídlová matica |
| D-2 | Poistná páčka | H-1 | Mäkké puzdro |
| D-3 | Upínací Blok | H-2 | Varovný štítok |

PASTABA: Priekinė pagalbinė rankena turi būti pasukta į viršų, kad būtų nukreipta į rankenos viršų.

⚠️ ĮSPĖJIMAS: Priekinę pagalbinę rankeną ant veleno tvirtinkite tik priešais minkštą movą.

⚠️ ĮSPĖJIMAS: Šis įrenginys negali būti naudojamas, jei priekinė pagalbinė rankena nėra patikimai pritvirtinta.

NAUDOJIMAS

⚠️ ĮSPĖJIMAS: mokėjimas naudotis įrenginiu nesuteikia teisės dirbti nerūpestingai. Atsiminkite, kad trumpam atitraukę dėmesį galite sunkiai susižaloti.

⚠️ ĮSPĖJIMAS: visada dėvėkite apsauginius akinius su šoniniais skydeliais. Taip pat dėvėkite ausų apsaugą. Nesilaikant šio nurodymo, objektai gali būti sviedžiami jums į akis arba galite būti kitaip sunkiai sužaloti.

⚠️ ĮSPĖJIMAS: nenaudokite bet kokių priedų arba įtaisų, kurių nerekomendavo šio įrenginio gamintojas. Naudodami nerekomenduojamus priedus arba įtaisus galite sunkiai susižaloti.

⚠️ ĮSPĖJIMAS: žoliapjovę su tinkamu pjovimo valu naudokite tik žolės arba panašių augalų pjovimui.

Galite naudoti šį įrenginį toliau išvardytais tikslais:

Apkarpymas: naudojamas pašalinti žolėms ir piktžolėms prie sienų, tvorų, medžių ir bortelių.

Pjovimas: naudojamas žolės pjovimui vietose, kurias sunku pasiekti naudojant įprastą vežapjovę.

PASTABA: Šį įrenginį reikia naudoti tik pagal nurodytą paskirtį. Naudojimas bet kokių kitu tikslu, pvz., pakraščiu apkarpymui, laikomas netinkamu naudojimu.

SUDĖTINĖS BATERIJOS ĮSTATYMAS / IŠĖMIMAS

Prieš naudodami pirmą kartą, visiškai įkraukite.

Naudokite tik su A2 paveiksle nurodytomis sudėtinėmis baterijomis ir įkrovikliais.

Įstatant

Sulyginkite baterijos briaunes su įleidimo grioveliais ir paspauskite sudėtinę bateriją žemyn, kol išgirsite trakstelėjimą. (J pav.)

Išimant

Paspauskite baterijos išėmimo mygtuką ir išimkite sudėtinę bateriją. (K pav.)

ŽOLIAPJOVĖS LAIKYMAS

⚠️ ĮSPĖJIMAS: siekdami sumažinti susižalojimo riziką įrenginio naudojimo metu, tinkamai apsirengkite. Nedėvėkite laisvų drabužių ir nenešioti laisvai kabančių papuošalų. Dėvėkite akių ir ausų apsaugas. Mūvėkite tvirtos medžiagos, ilgas kelnes, batus ir pirštines. Nedėvėkite trumpų kelnų, sandalų bei nedirbkite basomis.

Prieš naudojimą suimkite žoliapjovę abiem rankomis, t. y. viena ranka už galinės rankenos, o kita ranka, kuri turėtų būti ištiesta, už priekinės pagalbinės rankenos (L pav.). Įsitinkinkite, kad stovite tvirtai, taip pat tinkamas pjovimo

atstumas, kai operatorius nėra pasilenkęs.

ŽOLIAPJOVĖS PALEIDIMAS / STABDYMAS

Paleidžiant

Nuspauskite fiksavimo svirtį ir laikykite ją toje padėtyje. Kad paleistumėte žoliapjovę, nuspauskite gaiduką (M pav.).

Stabdant

Atleiskite fiksavimo svirtį ir gaiduką.

PASTABA: Variklis gali veikti dviem greičiais pjovimo, „1“ padėtyje veikia mažesniu greičiu, o „2“ – dideliu greičiu (M pav.). Tiesiog pjovimo metu pastumkite greičio reguliavimo jungiklį į tinkamą padėtį.

Toliau pateiktas M pav. parodytų dalių aprašas.

| | |
|-----|-----------|
| M-1 | 1 padėtis |
| M-2 | 2 padėtis |

⚠️ ĮSPĖJIMAS: darydami pertraukas arba baigę darbą, visada išimkite sudėtinę bateriją iš žoliapjovės.

ŽOLIAPJOVĖS NAUDOJIMAS

⚠️ ĮSPĖJIMAS: siekdami išvengti sunkaus susižalojimo, dirbdami su įrenginiu visada dėvėkite apsauginius akinius. Dirbdami dulkelioje aplinkoje, dėvėkite visą veidą dengiančią kaukę arba respiratorių.

Prieš kiekvieną naudojimą išvalykite pjaunamą plotą. Pašalinkite viską, pavyzdžiui, akmenis, stiklo duženas, vinis, vielas arba laidus, t. y. objektus, kurie pjovimo įtaiso gali būti sviesti į šoną arba jame įspainioti. Užtikrinkite, kad darbo zonoje nebūtų vaikų, pašalinių asmenų bei naminių gyvūnų. Vaikai, pašaliniai asmenys bei naminiai gyvūnai turi būti nutolę ne mažesniu kaip 15m atstumu; net ir laikantis šio atstumo, žoliapjovės sviedžiamų objektų pavojus pašaliniams asmenims išlieka. Šalia esantys asmenys turėtų dėvėti akių apsaugą. Jeigu matote jūsų link artėjantį asmenį, nedelsdami išjunkite įrenginį.

Prieš kiekvieną naudojimą patikrinkite, ar nėra sugadintų arba susidėvėjusių dalių

Apžiūrėkite pjovimo galvutę, apsaugos priemonę ir priekinę pagalbinę rankeną. Pakeiskite sutrukinėjusias, pakeitusias formą, sulinkusias arba bet kaip kitaip pažeistas dalis.

Valo nukirtimo peilis, esantis apsaugos pakraštyje, laikui bėgant gali atsįpti. Rekomenduojama reguliariai galąsti jį dilde arba pakeisti nauju.

⚠️ ĮSPĖJIMAS: montuodami apsaugą, galąsdami arba keisdami peilį, visada mūvėkite pirštines. Atidžiai elkitės su ant apsaugos esančiu peiliu ir saugokite rankas nuo pjovimo.

LT

Po kiekvieno naudojimo žoliapjovę išvalykite.

⚠ PERSPĖJIMAS: angose susikaupę likučiai neleidžia orui tekėti į variklio korpusą, dėl to variklis gali perkaisti arba sugesti.

- Įrenginį valykite tik švelniu valikliu ir drėgna šluoste. Niekada neleiskite jokiam skysčiui patekti į įrenginio vidų; niekada nenardinkite jokios įrenginio dalies į skystį.
- Visada užtikrinkite, kad variklio ventiliacinėse angose ir velene nebūtų žolės likučių.

⚠ ĮSPĖJIMAS: niekada žoliapjovės valymui nenaudokite vandens. Valydami plastikinės dalis nenaudokite tirpiklių. Įvairūs komerciniai tirpikliai ardo daugelį plastikų. Norėdami nuvalyti purvą, dulkes, tepalus, riebalus ir pan., naudokite švarias šluostes.

PJOVIMO VALO ILGIO REGULIAVIMAS

Pjovimo galvutė leidžia naudotojui pailginti pjovimo valą neišjungiant variklio. Pjovimo valui susidėvėjus, papildomas valas gali būti ištrauktas lengvai bakstelint atlaisvinimo mygtuku į žemės paviršių žoliapjovės veikimo metu (žr. N pav.).

PASTABA: Kuo pjovimo valas trumpesnis, tuo sudėtingesnis taps valo pailginimas.

⚠ ĮSPĖJIMAS: neišimkite ir nekeiskite pjovimo valo nukirtimo peilio konstrukcijos. Per didelio ilgio pjovimo valas gali sukelti variklio perkaitimą ir sunkaus susižalojimo pavojų.

VALO KEITIMAS

PASTABA: visada naudokite rekomenduojamą nailoninį pjovimo lynelį, kurio skersmuo neviršija 2,0 mm. Naudojant kitokį, nei nurodyta P & Q pav. Valo galus įstatykite į dvi priešingose ritės pusėse esančias išpjovas (V pav.), sulyginę ritės išpjovas, iš kurių yra išsikišę valo galai, su ritės laikiklio angomis, įstatykite ritę į laikiklį (T pav.).

⚠ ĮSPĖJIMAS: niekada nenaudokite metalu armuoto valo, vielos, virvės ar pan. Jie gali nutūkti ir būti pavojingai išsviesti.

Pakeisti pjovimo valą galima dviem būdais:

1. Užvyniojant ant ritės naują valą.
2. Įstatant ritę su iš anksto užvyniotu valu (AS1302, jei reikia, galima rasti pas prekiautoją).

Užvyniojant ant ritės naują valą

Nuspauskite dvi atkabimo auseles, esančias ant ritės pagrindo ir išimkite ritės laikiklį (O pav.). Paimkite maždaug 5m naujo pjovimo valo. Sulenkite ir užvyniokite ant ritės, kaip parodyta P & Q pav. Valo galus įstatykite į dvi priešingose ritės pusėse esančias išpjovas (V pav.), sulyginę ritės išpjovas, iš kurių yra išsikišę valo galai, su ritės laikiklio angomis, įstatykite ritę į laikiklį (T pav.).

Galiausiai sulyginkite laikiklio lizdus su Rant ritės pagrindo esančiomis auselėmis ir paspauskite laikiklį tolygiai žemyn užtikrindami, kad jis užsifikuotų (S pav.).

PASTABA: Prieš sumontuodami pjovimo galvutę visada nuvalykite ritę, ritės laikiklį ir ritės pagrindą. Patikrinkite, ar ritė, ritės laikiklis ir ritės pagrindas nesusidėvėję. Jei reikia, pakeiskite nusidėvėjusias dalis.

PASTABA: jeigu valą užvyniosite netinkama kryptimi, žoliapjovės galvutė veiks netinkamai.

Įstatant ritę su iš anksto užvyniotu valu

Nuspauskite dvi atkabimo auseles, esančias ant ritės pagrindo ir išimkite ritės laikiklį (O pav.). Tada į ritės laikiklį įstatykite ritę su iš anksto užvyniotu valu, sulyginę ritės išpjovas su ritės laikiklio angomis (T pav.) Galiausiai sulyginkite laikiklio lizdus su ant ritės pagrindo esančiomis auselėmis ir paspauskite laikiklį tolygiai žemyn užtikrindami, kad jis užsifikuotų (S pav.).

Toliau pateiktas S & T pav. parodytų dalių aprašas:

| | | | |
|-----|--------|-----|---------|
| S-1 | Auselė | T-1 | Išpjova |
| S-2 | Lizdas | T-2 | Anga |

PASTABA: įsitikinkite, kad ritės pagrindo auselės įsistatė į vietą ir kad ritė nenukris veikimo metu.

TECHNINĖ PRIEŽIŪRA

⚠ ĮSPĖJIMAS: Atlikdami techninės priežiūros darbus, naudokite tik identišką atsarginę dalis. Įrenginį reguliariai apžiūrėkite ir tvarkykite. Norint užtikrinti saugų ir patikimą gaminio naudojimą visus remonto darbus turi atlikti kvalifikuotas techninės priežiūros specialistas.

⚠ ĮSPĖJIMAS: Baterijų nereikia įjungti į elektros lizdą; jos visada yra darbinės būsenos. Norėdami išvengti rimtų sužalojimų, imkitės papildomų atsargumo priemonių ir būkite atidūs atlikdami techninę priežiūrą, aptarnavimą arba keisdami pjovimo įtaisą ar kitus priedus.

⚠ ĮSPĖJIMAS: kad išvengtumėte rimto susižalojimo, prieš atlikdami techninę priežiūrą, valydami žoliapjovę, keisdami priedus arba valydami žolės likučius, iš įrenginio išimkite sudėtinės baterijas.

ĮRENGINIO VALYMAS

- Įrenginį valykite silpnu plovikliu suvilgyta šluoste.
- Nenaudokite jokių stiprių ploviklių plastikinių korpuso arba rankenos dalių valymui. Aromatinės alyvos (pušies arba citrinų kvapo) ir tirpikliai, pvz., žibalas, gali jas sugadinti. Drėgmė taip pat gali kelti elektros smūgio pavojų. Bet kokią drėgmę nuvalykite minkšta sausa šluoste.

- Naudokite mažą šepetėlį arba mažą dulkių siurblio šepetėlį, kad išvalytumėte variklio korpuso ventiliacines angas.

ĮRENGINIO SANDĖLIAVIMAS

- Kai žoliapjovės nenaudojate, išimkite iš jos sudėtinę bateriją.
- Prieš sandėliavimą kruopščiai nuvalykite įrenginį.
- Įrenginį sandėliuokite sausoje, gerai vėdinamoje, rakinamoje patalpoje arba aukštai, vaikams nepasiekiamoje vietoje. Nelaikykite įrenginio ant arba šalia trąšų, benzino arba kitų chemikalų.

Aplinkos apsauga



Neišmeskite elektros įrangos, panaudotų baterijų ir įkroviklio kartu su buitinėmis atliekomis! Šias atliekas reikia pristatyti į jų surinkimo vietą ar įgaliotam perdirbėjui. Elektrinius įrankius reikia grąžinti į atitinkamą perdirbimo įmonę.

TRIKČIŲ DIAGNOSTIKA IR JŲ ŠALINIMAS

| PROBLEMA | PRIEŽASTIS | SPRENDIMAS |
|----------------------------------|---|--|
| Žoliapjovės nepavyksta paleisti. | <ul style="list-style-type: none"> ■ Sudėtinė baterija neprijungta prie žoliapjovės. ■ Nėra elektros kontakto tarp žoliapjovės ir baterijos. ■ Sudėtinė baterija visiškai išsikrovusi. ■ Nenuspausta fiksavimo svirtis ir gaidukas. | <ul style="list-style-type: none"> ■ Prijunkite sudėtinę bateriją akumuliatorių prie vejamajoms. ■ Išimkite sudėtinę bateriją, patikrinkite kontaktus ir vėl įstatykite sudėtinę bateriją. ■ Įkraukite akumuliatorių. ■ Kad įjungtumėte žoliapjovę, nuspauskite fiksavimo svirtį ir ją laikykite, o tada nuspauskite gaiduką. |
| Žoliapjovė sustoja darbo metu. | <ul style="list-style-type: none"> ■ Nesumontuota žoliapjovės apsaugos priemonė, todėl per ilgą pjovimo valas perkrauna variklį. ■ Naudojamas per tvirtas pjovimo valas. ■ Ant variklio veleno arba žoliapjovės galvutės apsivyniojusi žolė. ■ Perkrautas variklis. ■ Sudėtinė baterija arba žoliapjovė yra per daug įkaitusios. ■ Sudėtinė baterija yra atjungta nuo įrenginio. ■ Sudėtinė baterija visiškai išsikrovusi. | <ul style="list-style-type: none"> ■ Išimkite sudėtinę bateriją ir sumontuokite žoliapjovės apsaugos priemonę. ■ Naudokite tik 2,0mm skersmens arba plonesnį nailoninį pjovimo valą. ■ Sustabdykite žoliapjovę, išimkite sudėtinę bateriją, tada pašalinkite žolę nuo variklio veleno arba žoliapjovės galvutės. ■ Pašalinkite žolę nuo žoliapjovės galvutės. Kai tik bus pašalinta apkrova, variklis pradės veikti kaip įprasta. Pjaudami judinkite pjovimo galvutę link ir nuo pjaunamos žolės, bei vienu kartu nenupjaukite daugiau kaip 20cm. ■ Leiskite sudėtinėi baterijai arba žoliapjovei atvėsti, iki temperatūra nukris žemiau 67°C. ■ Vėl įstatykite akumuliatorių. ■ Įkraukite sudėtinę bateriją. |

LT

| PROBLEMA | PRIEŽASTIS | SPRENDIMAS |
|--|--|---|
| Žoliapjovės galvutė nepaduoda pjovimo valo. | <ul style="list-style-type: none"> ■ Ant variklio veleno arba žoliapjovės galvutės apsivyniojusi žolė. ■ Nepakanka pjovimo valo ritėje. ■ Purvina žoliapjovės galvutė. ■ Pjovimo valas susipainiojo ant ritės. ■ Pjovimo valas per trumpas. | <ul style="list-style-type: none"> ■ Sustabdykite žoliapjovę, išimkite sudėtinę bateriją, tada pašalinkite žolę nuo variklio veleno arba žoliapjovės galvutės. ■ Išimkite sudėtinę bateriją ir pakeiskite pjovimo valą; vadovaukitės šio vadovo skyriumi „VALO KEITIMAS“. ■ Išimkite sudėtinę bateriją ir išvalykite ritę, ritės laikiklį ir ritės pagrindą. ■ Išimkite sudėtinę bateriją, nuvyniokite pjovimo valą ir iš naujo jį užvyniokite; vadovaukitės šio vadovo skyriumi „VALO KEITIMAS“. ■ Išimkite sudėtinę bateriją ir patraukite pjovimo valo galus į priešingas puses spausdami ir atleisdami pjovimo valo atleidimo mygtuką. |
| Žolė apsivynioja aplink žoliapjovės galvutę ir variklio korpusą. | <ul style="list-style-type: none"> ■ Aukštą žolę pjaukite palei žemę. | <ul style="list-style-type: none"> ■ Kad išvengtumėte žolės apsivyniojimo Aukštą žolę pjaukite iš viršaus į apačią, vienu kartu nupjaudami ne daugiau kaip 20cm. |
| Prastai pjauna valas. | <ul style="list-style-type: none"> ■ Atšipo pjovimo valo nukirtimo peilis, esantis ant apsaugos priemonės krašto. | <ul style="list-style-type: none"> ■ Valo nukirtimo peilį pagalškite dilde arba pakeiskite nauju peiliu. |

GARANTIJA

EGO GARANTINIS POLISAS

Norėdami sužinoti visas „EGO“ garantinio poliso sąlygas, apsilankykite interneto svetainėje egopowerplus.com.

LT

IZLASIET VISUS NORĀDĪJUMUS!



IZLASIET LIETOTĀJA ROKASGRĀMATU

⚠ BRĪDINĀJUMS! Citi riski! Personām, kuras lieto elektroniskas ierīces, piemēram, elektrokardiostimulatorus, pirms šīs ierīces lietošanas jākonsultējas ar savu ārstu. Elektriskā aprīkojuma darbība sirds elektrokardiostimulatora tuvumā var radīt stimulatora darbības traucējumus vai kļūmes.



Drošības brīdinājums



Lietojiet aizsargbrilles šī izstrādājuma darbināšanas laikā vienmēr valkājiet aizsargbrilles vai aizsargbrilles ar sānu aizsargiem un pilnu sejas aizsargmasku.



Lietojiet dzirdes aizsarglīdzekļus strādājot ar šo instrumentu, vienmēr izmantojiet dzirdes aizsarglīdzekļus.



Lietot galvas aizsarglīdzekļus valkājiet apstiprinātu cieto aizsargcepuri, lai pasargātu savu galvu.



Neuzstādiat apaļās formas griešanas asmeņus.



Maksimālais auklas trimera griešanas platums

LV



Lietojot auklas trimmeri, sekojiet, lai citi cilvēki un mājdzīvnieki atrastos vismaz 15 m attālumā no tā.



Šis izstrādājums atbilst piemērojamām EK direktīvām.



Elektrisko izstrādājumu atkritumus nedrīkst izmest kopā ar sadzīves atkritumiem. Nogādājiet uz pilnvarotu pārstrādes punktu.

V Spriegums

.../min Minūtē

kg kilograms

DROŠĪBAS SIMBOLI

⚠ BRĪDINĀJUMS! Jebkura elektroinstrumenta lietošanas laikā acīs var iekļūt svešķermeņi, kas var radīt smagu acu traumu. Pirms elektroinstrumenta ieslēgšanas vienmēr uzvelciet aizsargbrilles vai aizsargbrilles ar sānu aizsargiem un, ja nepieciešams, pilnu sejas aizsargmasku. Iesakām izmantot aizsargmasku ar plašu skata leņķi, ko uzvelk virs parastajām brillēm, vai arī standarta aizsargbrilles ar sānu aizsargiem.



Lai mazinātu traumu gūšanas bīstamību, lietotājam jāizlasa lietotāja rokasgrāmata.



Valkāt drošības apavus lietojot šo aprīkojumu, valkājiet drošības apavus ar neslidošu zoli.



Lietot aizsargcimdus darbojoties ar asmeni vai asmens aizsargu, sargājiet savas rokas, valkājot cimdus.



Uzmanību, asmens atsitiena risks! Brīdiniet operatoru par asmens atsitiena briesmām.



Diametrs: neilona griežējauklas diametrs



Lidojoši priekšmeti var atstāties un radīt miesas bojājumus vai kaitējumu īpašumam. Lietojot krūmgriezī, sekojiet, lai citi cilvēki un mājdzīvnieki neatrastos tā tuvumā.



Neizmantojiet lietū vai neatstājiet ārā, kamēr līst lietus.



Šis produkts atbilst spēkā esošajiem Apvienotās Karalistes tiesību aktiem.



Garantētais skaņas intensitātes līmenis. Trokšņa emisija vidē atbilstoši Eiropas Kopienas direktīvai.

n_0

Apgriezienu skaits bez slodzes-Rotācijas ātrums bez slodzes



Līdzstrāva

SPECIFIKĀCIJAS

| | | |
|---|---|--|
| Spriegums | 56 V --- | |
| Ātrums bez slodzes | Liels ātrums: 6500 /min Zems ātrums: 5200 /min | |
| Griešanas mehānisms | Piespiežamā galva | |
| Griešanas auklas veids | 2,0mm Neilona vērptot līnija | |
| Griešanas platums | 33 cm | |
| Ieteicamā darba temperatūra | 0°C-40°C | |
| Ieteicamā uzglabāšanas temperatūra | -20°C-70°C | |
| Svars (bez akumulatora bloka) | 2,76 kg | |
| Izmērītais skaņas jaudas līmenis L_{WA} | 92,1 dB(A) K=1,6 dB(A) | |
| Maksimālais skaņas spiediena līmenis pie operatora auss L_{PA} | 72,6 dB(A) K=2,5 dB(A) | |
| Garantētais skaņas jaudas līmenis L_{WA} (mērīts saskaņā ar 2000/14/EK) | 94 dB(A) | |
| Vibrācija a_n | Priekšējais palīgrokturis | 3,3 m/s ² K=0,9 m/s ² |
| | Aizmugurējais rokturis | 1,9 m/s ² K=1,5 m/s ² |

- Norādītā kopējā vibrācijas vērtība tika mērīta saskaņā ar parasto mērīšanas paņēmienu; tā var tikt izmantota darbarīku salīdzināšanai.
- Norādīto kopējo vibrācijas vērtību var izmantot arī sākotnējai ietekmes izvērtēšanai.

PIEZĪME: Vibrācijas līmenis mehānizētā darbarīka lietošanas laikā var atšķirties no norādītās vērtības, ar kādu tiek lietots darbarīks. Lai aizsargātu operatoru, jāizmanto cimdi un dzirdes aizsarglīdzekļi.

KOMPLEKTĀCIJA (A1 att.)

APRAKSTS

IEPAZĪSTIET AUKLAS TRIMMERI (A1 att.)

1. Pārslēdzējs
2. Aizmugurējais rokturis
3. Bloķēšanas svira
4. Ātruma regulēšanas slēdzis

5. Mīkstā uzmava
6. Regulējams priekšējais rokturis
7. Piespiežamā galva (griešanas galva)
8. Piesitamais izcilnis
9. Auklas nogriešanas asmens
10. Aizsargs
11. Izsviešanas mehānisms
12. Elektriskie kontakti
13. Fiksators
14. Akumulatora atbrīvošanas poga

MONTĀŽA

VĀRPSTAS ATLOCĪŠANA

⚠ BRĪDINĀJUMS. Neturiet vārpstu aiz savienojumvietām, lai tajās neiespiestu plaukstu vai pirkstus.

⚠ BRĪDINĀJUMS. Nemēģiniet iedarbināt trimmeri, kamēr nav nobloķēta vārpsta. Uzmanīgi atlokiat vārpstu, lai kabelis paliktu vārpstas iekšpusē, un pieskrūvējiet ar abām skrūvēm, izmantojot komplektācijā iekļauto uzgriežņatslēgu (B1 un B2 att.).

AIZSARGA UZSTĀDĪŠANA

Novietojiet aizsarga montāžas caurumus vienā līmenī ar caurumiem pamatnē, pēc tam nofiksējiet aizsargu kāta pamatnē, ieskrūvējot abas skrūves. Pārlicinieties, ka aizsargs ir piestiprināts pareizi tā, kā norādīts C; nepareiza montāža ir ļoti bīstama!

PIEKŠĒJĀ PALĪGROKTURA UZSTĀDĪŠANA UN REGULĒŠANA

Uzbrīdiet priekšējo rokturi uz stieņa (E att.), tad roktura atverē ievietojiet stiprinājuma bloku (F att.), uzstādiat fiksācijas stieni un nostipriniet detaļas ar spārmuzgriezni (G att.). Secība ir parādīta D attēlā. Visbeidzot pielāgojiet priekšējā roktura stāvokli, lai jūsu priekšpusē esošā roka, lietojot trimmeri, būtu izstiepta (H att.), tad nostipriniet sviru ar fiksācijas stieni (I att.).

D un H attēla detaļu aprakstu skatiet tālāk.

| | | | |
|-----|----------------------|-----|-----------------------|
| D-1 | Priekšējais rokturis | D-4 | Spārmuzgrieznis |
| D-2 | Fiksācijas stienis | H-1 | Mīkstā uzmava |
| D-3 | Stiprinājuma bloks | H-2 | Brīdinājuma plāksnīte |

PIEZĪME: Priekšējais rokturim jābūt pagrieztam uz augšu, vēršot to virzienā uz roktura augšdaļu.

⚠ BRĪDINĀJUMS. Nostipriniet priekšējo rokturi tikai sietiņa mikstās uznavas priekšpusē.

⚠ BRĪDINĀJUMS. Neizmantojiet darbarīku, ja nav droši nostiprināts priekšējais rokturis.

LIETOŠANA

⚠ BRĪDINĀJUMS. Iepazīstot darbu ar šo ierīci, nekļūstiet nolaidīgs. Atcerieties, ka neuzmanība sekundes daļā var radīt smagu traumu.

⚠ BRĪDINĀJUMS. Vienmēr izmantojiet acu aizsarglīdzekļus ar sānu aizsargiem. Kopā ar dzirdes aizsarglīdzekļiem. To nedarot, acīs var tikt ieviesti svešķermeņi, kā arī rasties citas smagas traumas.

⚠ BRĪDINĀJUMS. Nelietojiet pierīces vai piederumus, ko nav ieteicis šī izstrādājuma ražotājs. Izmantojot citas pierīces vai piederumus, var rasties smaga trauma.

⚠ BRĪDINĀJUMS. Lietojiet auklas trimeri, kas aprīkots ar atbilstošu griešanas auklu, tikai zāles vai tamlīdzīgu materiālu griešanai.

Šo izstrādājumu var lietot tālāk norādītajiem nolūkiem.

Apgriešana: izmantojiet zāles un nezāļu nogriešanai pie sienām, žogiem, kokiem un apmalēm.

Griešana: lietojiet zāles nogriešanai vietās, kur ir grūti piekļūt ar parastu zāles pļāvēju jeb pļaujmašīnu.

PIEZĪME: Darbarīku drīkst izmantot tikai aprakstītajam nolūkam. Citu veidu lietošana, piemēram, dzīvzogu apgriešanai, tiks uzskatīta par nepareizu lietošanu.

AKUMULATORU BLOKA PIEVIENOŠANA/ NOŅEMŠANA

LV

Pirms akumulatora lietošanas pilnībā uzlādējiet to.

Izmantojiet tikai A2 attēlā uzskaitītos akumulatora blokus un lādētājus.

Piestiprināšana

Salāgojiet akumulatora izciļņus ar stiprinājuma nievām un iespiediet akumulatora bloku, līdz atskan klikšķis. (K att.)

Noņemšana

Nospiediet akumulatora atbrīvošanas pogu un izvelciet akumulatoru bloku tā, kā parādīts K attēlā.

AUKLAS TRIMMERA TURĒŠANA

⚠ BRĪDINĀJUMS. Ģērbieties atbilstīgi, lai mazinātu traumu rašanās draudus, lietojot šo darbarīku. Nevalkājiet vaļīgas drēbes un rotaslietas. Izmantojiet acu un dzirdes

aizsarglīdzekļus. Valkājiet izturīgas, garas bikses, apavus un cimdus. Nevalkājiet īsās bikses, sandales; neejiet basām kājām.

Pirms darba uzsākšanas satveriet trimmeri ar abām rokām; vienai rokai jāatrodas uz aizmugurējā roktura, savukārt otrai ir jābūt izstieptai un jāatrodas uz priekšējā palīgroktura (L att.). Pēc tam pārbaudiet, vai jums ir labs atbalsts kājām, un izvēlieties atbilstošu pļaušanas attālumu tā, lai varētu strādāt nenoliecoties.

AUKLAS TRIMMERA IEDARBINĀŠANA/ APTURĒŠANA

Iedarbināšana

Nospiediet atbloķēšanas sviru un noturiet to šajā pozīcijā. Lai iedarbinātu auklas trimmeri, nospiediet iedarbināšanas sviru tā, kā norādīts M attēlā.

Apturēšana

Atļaidiet atbloķēšanas sviru un iedarbināšanas slēdzi.

⚠ PIEZĪME: Motoram ir divi pļaušanas ātrumi - pozīcija "1" zemākam ātrumam un pozīcija "2" lielākam ātrumam (skat. M att.). Pļaušanas laikā pārslēdziet ātruma regulēšanas slēdzi atbilstošajā pozīcijā.

M att. detaļu aprakstu skatīt zemāk:

| | |
|-----|------------|
| M-1 | Pozīcija 1 |
| M-2 | Pozīcija 2 |

⚠ BRĪDINĀJUMS. Darba pārtraukumos un pēc darba vienmēr izņemiet no auklas trimera akumulatora bloku.

AUKLAS TRIMERA LIETOŠANA

⚠ BRĪDINĀJUMS. Lai nepieļautu smagas traumas rašanos lietojot šo ierīci, vienmēr izmantojiet brilles vai aizsargbrilles. Puteklainā vidē lietojiet sejas vai putekļu masku.

Pirms trimera lietošanas atīrīet apstrādājamo vietu. Savāciet akmeņus, stikla lauskas, naglas, vadus vai auklas, kas var tikt izsviestas vai iekļūt griešanas pierīcē. Nepieļaujiet bērnu, citu personu un mājdzīvnieku atrastos darba vietās. Sekojiet, lai bērni, citas personas un mājdzīvnieki atrastos vismaz 15m attālumā; vēl arvien pastāv apdraudējums, ko rada izsviesti objekti. Sekojiet, lai apkārtējie izmantotu acu aizsarglīdzekļus. Ja strādājot kāds jums tuvojas, nekavējoties apturiet motoru un griešanas pierīci.

Pirms katras trimera lietošanas reizes pārbaudiet, vai nav bojātu un nodilušu daļu

Pārbaudiet ierīces piespiežamo galvu, aizsargu un priekšējo rokturi un nomainiet detaļas, ja tās ir saplaisājušas, savijušās, salocījušās vai bojātas.

Ar laiku auklas griešanas asmens uz aizsarga var kļūt truls. Ieteicams periodiski asināt asmeni ar vili vai nomainīt to.

⚠ BRĪDINĀJUMS. Uzstādot aizsargu, asinot vai nomainot asmeni, vienmēr valkājiet cimdus. Sargieties no asmens, kas atrodas uz aizsarga, un aizsargājiet rokas pret sagriešanu.

Pēc katras trimera lietošanas notīriet to.

⚠ UZMANĪBU! Ja ventilācijas atveres būs aizsērējušas, gaiss nevarēs iekļūt motora korpusā un motors pārkarstīs vai tiks bojāts.

- Darbarīka tīrīšanai izmantojiet tikai maigas ziepes un mitru drānu. Nekādā gadījumā nepieļaujiet šķidruma iekļūšanu darbarīkā; nekad neiegremdējiet šķidrumā nevienu no darbarīka daļām.
- Turiet motora korpusa un vārpstas ventilācijas atveres tīras no gružiem

⚠ BRĪDINĀJUMS: Nekad neizmantojiet ūdeni, lai notīrītu trimmeri. Tīrot plastikāta detaļas, izvairieties no šķīdinātāju lietošanas. Tīrniecībā iegādājami šķīdinātāji bojā lielāko daļu plastmasas materiālu. Lai notīrītu netīrumus, putekļus, eļļu, smērvielas u.c., izmantojiet tīras drāniņas.

TRIMMERA AUKLAS GARUMA REGULĒŠANA

Trimmera piespiežamā galva ļauj operatoram izbīdīt vairāk griešanas auklas, neapturot motoru. Ja aukla sadilst vai nolietojas, nedaudz piesitot izcilni pret zemi trimera lietošanas laikā, var izbīdīt jaunu auklas garumu (skatiet N att.).

PIEZĪME: Trimmera auklai paliekot tsāakai, auklas padeve kļūst apgrūtināta.

⚠ BRĪDINĀJUMS. Nenozemiet un nepārveidojiet auklas griešanas asmens mezglu. Pārmērīgi gara aukla izraisīs motora pārkaršanu, un var rasties smaga trauma.

AUKLAS NOMAĪŅA

PIEZĪME: Vienmēr lietojiet ieteikto neilona griežjauklu, kuras diametrs nepārsniedz 2,0 mm. Cita veida auklas izmantošana var izraisīt krūmgrieža pārkaršanu vai var to sabojāt.

⚠ BRĪDINĀJUMS: Nekad neizmantojiet auklu ar metāla pastiprinājumiem, stiepli, virvi u.tml. Šāda veida auklas var salūst un kļūt par bīstamiem, lielā ātrumā izsviestiem objektiem.

Pļaušanas auklas nomaīņu iespējams veikt divos veidos:

1. Uztiņot spolē jaunu auklu.
2. Uzstādot spoli ar tajā jau iepriekš uzfītu auklu (ja nepieciešams, AS1302 iespējams iegādāties pie izplatītāja).

Uztiņiet uz spoles jaunu auklu

Nospiediet abus atlaišanas izvīrzījumus spoles apakšā un izvelciet spoles turētāju (O att.). Paņemiet aptuveni 5m jaunas griešanas auklas. Salokiet un uztiņiet to uz spoles kā parādīts P un Q attēlā. Tad izbīdiet auklas galus cauri abiem pretējiem spoles iedobumiem (R att.), ievietojiet spoli tās turētājā un salāgojiet iedobumus ar turētāja actiņām (T att.). Visbeidzot salāgojiet turētāja atveres ar spoles pamatnes izvīrzījumiem un vienmērīgi spiediet turētāju uz leju, līdz tas nofiksējas (S att.).

PIEZĪME: Pirms trimera galvas atkārtotas uzstādīšanas vienmēr notīriet spoles turētāju, spoli un spoles pamatni. Pārbaudiet, vai spoles turētājs, spole un spoles pamatne nav nolietojušies. Ja nepieciešams, nomainiet nolietoto daļas.

PIEZĪME: Ja aukla netiks uzfīta norādītajā virzienā, trimera galva darbosies nepareizi.

Uzstādiet spoli ar jau iepriekš uzfītu auklu

Nospiediet abus atlaišanas izvīrzījumus spoles apakšā un izvelciet spoles turētāju (O att.). Tad ievietojiet spoli ar jau iepriekš uzfīto auklu turētājā, salāgojot iedobumus ar turētāja actiņām (T att.). Visbeidzot salāgojiet turētāja atveres ar spoles pamatnes izvīrzījumiem un vienmērīgi spiediet turētāju uz leju, līdz tas nofiksējas (S att.).

S un T attēla detaļu aprakstu skatiet tālāk.

| | | | |
|-----|-------------|-----|----------|
| S-1 | Izvīrzījums | T-1 | Iedobums |
| S-2 | Atvere | T-2 | Actiņa |

PIEZĪME: Pārbaudiet, vai izvīrzījumi spoles pamatnē ir fiksēti, lai spole trimera lietošanas laikā neizkrist.

APKOPE

⚠ BRĪDINĀJUMS. Veicot apkopi, izmantojiet tikai identiskas nomaīņas daļas. Regulāri pārbaudiet ierīci un veiciet tās apkopi. Lai garantētu drošību un uzticamību, ierīci drīkst remontēt tikai kvalificēts apkopes tehniķis.

⚠ BRĪDINĀJUMS. Akumulatora darbarīkus nav nepieciešams pieslēgt elektrotīklam, tādēļ tie vienmēr ir darbības stāvoklī. Lai nepieļautu smagas traumas, uzturēšanas, apkopes vai griešanas pierīci vai citu piederumu maiņas laikā, veiciet papildu piesardzības pasākumus un esiet uzmanīgs.

⚠ BRĪDINĀJUMS. Lai nepieļautu smagas traumas, pirms trimera apkopes, tīrīšanas, papildpierīču maiņas vai zāles izņemšanas izņemiet akumulatora bloku.

IERĪCES TĪRĪŠANA

- Tīriet ierīci ar mitru drānu un maigu mazgāšanas līdzekli.
- Netīriet plastmasas korpusu un rokturi ar kodīgiem tīrīšanas līdzekļiem. Plastmasas daļas var sabojāt ar zināmām aromatizētām eļļām, piemēram, priežu un citrona, un šķīdinātājiem, piemēram, petroleju. Elektrotraumu var radīt arī mitrums. Kārtīgi noslaukiet mitrumu ar mīkstu, tīru drānu.
- Ventilācijas atveru tīrīšanai korpusa aizmugurē izmantojiet nelielu suku vai nelielu putekļsūcēja suku ar gaisa izplūdi.

IERĪCES UZGLABĀŠANA

- Ja auklas trimeri neizmantojat, izņemiet no tā akumulatora bloku.
- Pirms uzglabāšanas kārtīgi notīriet darbarīku.
- Uzglabājiet ierīci sausā, labi vēdināmā, aizslēdzamā vai augstā — bērniem nepieejamā — vietā. Neuzglabājiet ierīci blakus mēslojumam, degvielai vai citām ķīmikālijām.

Apkārtējās vides aizsardzība



Neutilizējiet elektrisko aprīkojumu, izlietoto akumulatoru un lādētāju sadzīves atkritumos! Nogādājiet šo produktu uz pilnvarotu pārstrādes punktu un sagatavojiet atkritumu šķirošanai. Elektriskos instrumentus jānogādā videi nekaitīgā pārstrādes rūpnīcā.

KĻŪMJU NOVĒRŠANA

| PROBLĒMA | CĒĻONIS | RISINĀJUMS |
|---|---|--|
| Auklas trimēris neieslēdzas. | <ul style="list-style-type: none"> ■ Trimēris nav uzstādīts akumulatora bloks. ■ Starp trimēri un akumulatoru nav elektriskā savienojuma. ■ Akumulatora bloks ir izlādējies. ■ Vienlaikus nav nospiesta bloķēšanas svira un pārslēdzējs. | <ul style="list-style-type: none"> ■ Uzstādiet trimēri akumulatora bloku. ■ Izņemiet akumulatoru, pārbaudiet kontaktus un ievietojiet atpakaļ. ■ Uzlādējiet akumulatora bloku. ■ Nospiediet bloķēšanas sviru un turiet to, tad nospiediet pārslēdzēju, lai ieslēgtu auklas trimēri. |
| Auklas trimēris apstājas griešanas laikā. | <ul style="list-style-type: none"> ■ Uz trimera nav uzstādīts aizsargs, kā rezultātā griešanas aukla ir par garu un rodas motora pārslodze. ■ Izmantota smaga griešanas aukla. ■ Motora vārpstu vai trimera galvu nosprostojusi zāle. ■ Motora pārslodze. ■ Akumulatora bloks vai auklas trimēris ir pārkaris. ■ Akumulatora bloks ir atvienots no darbarīka. ■ Akumulatora bloks ir izlādējies. | <ul style="list-style-type: none"> ■ Izņemiet akumulatora bloku un uzstādiet uz trimera aizsargu. ■ Izmantojiet tikai 2,0mm vai mazāka diametra neilona griešanas auklu. ■ Apturiet trimēri, izņemiet akumulatoru un iztīriet zāli no motora vārpstas un trimera galvas. ■ Paceliet trimera galvu no zāles. Pēc slodzes noņemšanas motors atsāks darboties, kā paredzēts. Griežot ievirziet trimera galvu griežamajā zālē, noņemot ne vairāk par 20cm garuma vienā griezumā. ■ Ļaujiet akumulatora blokam vai trimērim atdzist, līdz temperatūra nokrītas zem 67 °C. ■ Uzstādiet atpakaļ akumulatora bloku. ■ Uzlādējiet akumulatora bloku. |
| Trimera galva neizbīda auklu. | <ul style="list-style-type: none"> ■ Motora vārpstu vai trimera galvu nosprostojusi zāle. ■ Spolē nepietiek auklas. ■ Trimera galva ir netīra. ■ Aukla spolē ir sapinusies. ■ Aukla ir par īsu. | <ul style="list-style-type: none"> ■ Apturiet trimēri, izņemiet akumulatoru un iztīriet zāli no motora vārpstas un trimera galvas. ■ Izņemiet akumulatoru un nomainiet griešanas auklu; skatiet šīs rokasgrāmatas nodaļu „AUKLAS MAIŅA”. ■ Izņemiet akumulatoru un notīriet spoli, spoles turētāju un spoles pamatni. ■ Izņemiet akumulatoru, izņemiet no spoles auklu un uztiniet no jauna; skatiet šīs rokasgrāmatas nodaļu „AUKLAS MAIŅA”. ■ Izņemiet bateriju un velciet auklu, vienlaikus nospiežot un atlaižot izcilni. |

| PROBLĒMA | CĒLONIS | RISINĀJUMS |
|--|---|--|
| Ap trimera galvu un motora korpusu ir aptinusi zāle. | <ul style="list-style-type: none">■ Garas zāles griešana zemes līmenī. | <ul style="list-style-type: none">■ Grieziet garu zāli no augšas uz leju, katru reizi vienā gājienā nogriežot pa 20cm, lai nepieļautu zāles aptīšanos. |
| Aukla netiek pareizi nogriezta. | <ul style="list-style-type: none">■ Ar laiku aizsarga auklas griešanas asmens mala kļūst trula. | <ul style="list-style-type: none">■ Uzasiniet auklas griešanas asmeni ar vīli vai nomainiet to. |

GARANTIJA

EGO GARANTIJAS POLITIKA

Lūdzu, apmeklējiet tīmekļa vietni egopowerplus.com, kur pieejama pilna EGO Garantijas politikas noteikumu un nosacījumu versija.

ΔΙΑΒΑΣΤΕ ΟΛΕΣ ΤΙΣ ΟΔΗΓΙΕΣ!



ΔΙΑΒΑΣΤΕ ΤΟ ΕΓΧΕΙΡΙΔΙΟ ΧΡΗΣΗΣ

⚠️ ΠΡΟΕΙΔΟΠΟΙΗΣΗ: Υπολειπόμενοι κίνδυνοι! Άνθρωποι που φέρουν ηλεκτρονικές συσκευές όπως βηματοδότες πρέπει να συμβουλευονται τους γιατρούς τους, πριν τη χρήση αυτού του προϊόντος. Η λειτουργία ηλεκτρολογικού εξοπλισμού κοντά σε βηματοδότη μπορεί να προκαλέσει παρεμβολές ή βλάβη στο βηματοδότη.

ΣΥΜΒΟΛΑ ΑΣΦΑΛΕΙΑΣ



Προειδοποίηση ασφαλείας



Φοράτε προστατευτικά γυαλιά - Φοράτε πάντοτε προστατευτικά γυαλιά ή γυαλιά ασφαλείας με πλευρική προστασία και πλήρη προστατευτική προσωπίδα κατά τη χρήση αυτού του προϊόντος.



Φοράτε προστατευτικά ακοής - Φοράτε πάντα προστατευτικά ακοής όταν χρησιμοποιείτε αυτό το προϊόν.



Φοράτε προστασία για το κεφάλι - Φοράτε ένα εγκεκριμένο για την ασφάλεια κράνος για την προστασία του κεφαλιού σας.



Μην εγκαθιστάτε στρογγυλές λεπίδες κοπής.



Πλάτος - Μέγιστο πλάτος κοπής χλοοκοπτικού με μεσινέζα



Εξασφαλίστε ότι άλλα άτομα ή κατοικίδια παραμένουν σε απόσταση τουλάχιστον 15 m από το χλοοκοπτικό με μεσινέζα όταν αυτό χρησιμοποιείται.



Αυτό το προϊόν συμμορφώνεται με τις εφαρμοστές οδηγίες της ΕΚ.



Τα απόβλητα ειδών ηλεκτρικού και ηλεκτρονικού εξοπλισμού δεν πρέπει να απορρίπτονται στα οικιακά απορρίμματα. Παραδώστε τα σε εξουσιοδοτημένη μονάδα ανακύκλωσης.

V Τάση

.../min Ανά λεπτό

kg Κιλό

ΣΥΜΒΟΛΑ ΑΣΦΑΛΕΙΑΣ

⚠️ ΠΡΟΕΙΔΟΠΟΙΗΣΗ: Η λειτουργία ηλεκτρικών εργαλείων μπορεί να προκαλέσει την εκτόξευση ξένων αντικειμένων στα μάτια σας, με αποτέλεσμα σοβαρό τραυματισμό. Πριν ξεκινήσετε τη χρήση του ηλεκτρικού εργαλείου, φοράτε πάντα προστατευτικά γυαλιά ή γυαλιά με πλευρική προστασία και, εφόσον απαιτείται, πλήρη προστατευτική προσωπίδα. Συνιστούμε μια προσωπίδα ασφαλείας ευρείας όρασης, για χρήση πάνω από γυαλιά ή τα συνήθη προστατευτικά γυαλιά με πλευρική προστασία.



Προκειμένου να μειωθεί ο κίνδυνος τραυματισμού, ο χρήστης πρέπει να διαβάσει το εγχειρίδιο χρήσης.



Φοράτε υποδήματα ασφαλείας - Φοράτε αντιολισθητικά υποδήματα ασφαλείας όταν χρησιμοποιείτε αυτό τον εξοπλισμό.



Φοράτε προστατευτικά γάντια - Προστατεύετε τα χέρια σας με γάντια κατά το χειρισμό της λεπίδας ή της καλύπτρας της λεπίδας.



Προσέχετε την αναπήδηση της λεπίδας - Ο χειριστής πρέπει να έχει πάντα το νο του στον κίνδυνο ανάκρουσης της λεπίδας.



Διάμετρος - Διάμετρος της νάιλον μεσινέζας



Αντικείμενα που πετιούνται μπορεί να εξοστρακιστούν και να προκύψει ατομικός τραυματισμός ή ζημιά στην ιδιοκτησία. Εξασφαλίστε ότι άλλα άτομα ή κατοικίδια παραμένουν τουλάχιστον μακριά από το θερμοκοπτικό όταν αυτό χρησιμοποιείται.



Να μην χρησιμοποιείται στη βροχή και να μη μένει σε εξωτερικό χώρο όταν βρέχει.



Αυτό το προϊόν συμμορφώνεται με την ισχύουσα νομοθεσία του ΗΒ.



Εγγυημένη στάθμη ηχητικής ισχύος. Εκπομπές θορύβου στο περιβάλλον σύμφωνα με την οδηγία της Ευρωπαϊκής Ένωσης.

n_b

Ταχύτητα χωρίς φορτίο-Ταχύτητα περιστροφής, χωρίς φορτίο



Συνεχές ρεύμα

GR

ΠΡΟΔΙΑΓΡΑΦΕΣ

| | | |
|--|---|--|
| Τάση | 56 V $\overline{\text{---}}$ | |
| Ταχύτητα χωρίς φορτίο | ΨΗΛΑ: 6500/λεπτό Χαμηλός: 5200/λεπτό | |
| Μηχανισμός κοπής | Κεφαλή πρόσκρουσης | |
| Τύπος νήματος κοπής | Ø2,0mm νάιλον στρογγυλό νήμα | |
| Πλάτος κοπής | 33cm | |
| Προτεινόμενη θερμοκρασία λειτουργίας | 0°C-40°C | |
| Προτεινόμενη θερμοκρασία αποθήκευσης | -20°C-70°C | |
| Βάρος (χωρίς την μπαταρία) | 2,76kg | |
| Μετρημένη στάθμη ηχητικής ισχύος L_{WA} | 92,1 dB(A) K=1,6 dB(A) | |
| Στάθμη ηχητικής πίεσης στη θέση χειριστή L_{PA} | 72,6 dB(A) K=2,5 dB(A) | |
| Εγγυημένο επίπεδο ισχύος ήχου L_{WA} (σύμφωνα με 2000/14/EC) | 94 dB(A) | |
| Δονήσεις a_n | Λαβή μπροστινής υποβοήθησης | 3,3 m/s ² K=0,9 m/s ² |
| | Μπροστινή λαβή | 1,9 m/s ² K=1,5 m/s ² |

- Η αναφερόμενη συνολική τιμή κραδασμών έχει μετρηθεί σύμφωνα με την πρότυπη μέθοδο ελέγχου και μπορεί να χρησιμοποιηθεί για τη σύγκριση ενός εργαλείου με κάποιο άλλο.
- Η αναφερόμενη συνολική τιμή κραδασμών μπορεί να χρησιμοποιηθεί επίσης για την προκαταρκτική αξιολόγηση της έκθεσης.

ΣΗΜΕΙΩΣΗ: Οι εκπομπές κραδασμών κατά τη διάρκεια της πραγματικής χρήσης του ηλεκτρικού εργαλείου μπορεί να διαφέρουν από τη δηλωμένη τιμή στην οποία χρησιμοποιείται το εργαλείο. Για την προστασία του χειριστή, πρέπει να χρησιμοποιούνται γάντια και προστασία της ακοής στις πραγματικές συνθήκες χρήσης.

ΚΑΤΑΛΟΓΟΣ ΕΞΑΡΤΗΜΑΤΩΝ ΣΥΣΚΕΥΑΣΙΑΣ (Εικ. A1)

ΠΕΡΙΓΡΑΦΗ

ΓΝΩΡΙΣΤΕ ΤΟ ΦΥΣΗΤΗΡΑ ΣΑΣ (Εικ. A1)

148

ΣΥΣΤΗΜΑ ΧΛΟΟΚΟΠΤΙΚΟ ΜΕ ΝΗΜΑ ΛΙΘΙΟΥ - ΙΟΝΤΩΝ 56 VOLT—ST1300E-S

1. Σκανδάλη
2. Οπίσθια λαβή
3. Μοχλός ασφάλισης
4. Διακόπτης ρύθμισης ταχύτητας
5. Μαλακό χιτώνιο
6. Ρυθμιζόμενη λαβή μπροστινής υποβοήθησης
7. Κεφαλή χλοοκοπτικού (κεφαλή πρόσκρουσης)
8. Κουμπί πρόσκρουσης
9. Νήμα-Λεπίδα κοπής
10. Προστατευτικό
11. Μηχανισμός εκτόξευσης
12. Ηλεκτρικές επαφές
13. Μάνταλο
14. Κουμπί απελευθέρωσης της μπαταρίας

ΣΥΝΑΡΜΟΛΟΓΗΣΗ

ΞΕΔΙΠΛΩΜΑ ΤΟΥ ΣΤΕΛΕΧΟΥΣ

▲ ΠΡΟΕΙΔΟΠΟΙΗΣΗ: Μην κρατάτε το στέλεχος από τις αρθρώσεις, ώστε να μην τρυπήσετε τα χέρια ή τα δάχτυλά σας.

▲ ΠΡΟΕΙΔΟΠΟΙΗΣΗ: Μην επιχειρήσετε να θέσετε το χορτοκοπτικό σε λειτουργία προτού να ασφαλίσει το στέλεχος. Ξεδιπλώστε προσεκτικά το στέλεχος, διασφαλίζοντας ότι το καλώδιο βρίσκεται μέσα σε αυτό, και ασφαλίστε το με δυο βίδες και το παρεχόμενο κλειδί (Εικ. B1&B2).

ΤΟΠΟΘΕΤΗΣΗ ΤΟΥ ΠΡΟΣΤΑΤΕΥΤΙΚΟΥ

Ευθυγραμμίστε τις οπές τοποθέτησης προστατευτικού με τις οπές συναρμολόγησης και κατόπιν κλειδώστε το προστατευτικό επάνω στη βάση άξονα με τις δύο βίδες. Εξασφαλίστε ότι το προστατευτικό έχει σφιχτεί σύμφωνα με τις Εικ. C, οποιαδήποτε αντίστροφη στερέωση θα προκαλέσει εξαιρετικά σοβαρό κίνδυνο!

ΤΟΠΟΘΕΤΗΣΗ ΚΑΙ ΡΥΘΜΙΣΗ ΤΗΣ ΛΑΒΗΣ ΜΠΡΟΣΤΙΝΗΣ ΥΠΟΒΟΗΘΗΣΗΣ

Ωθήστε τη λαβή μπροστινής υποβοήθησης επάνω στον άξονα (Εικ. E), κατόπιν εισαγάγετε το μπλοκ σύσφιξης μέσω στην εσοχή λαβής (Εικ. F), τοποθετήστε τη ράβδο ασφάλισης, ασφαλίστε τα αυτά με την πεταλούδα (Εικ. G). Αυτή η αλληλουχία φαίνεται στην Εικ. D. Τέλος ρυθμίστε τη θέση λαβής μπροστινής υποβοήθησης, ο βραχίονας σας πρέπει να είναι ίσιος κατά τη χρήση του χλοοκοπτικού (Εικ. H) και κατόπιν ασφαλίστε το μοχλό της ράβδου ασφάλισης (Εικ. I).

Εικ. D & H Για την περιγραφή των εξαρτημάτων δείτε παρακάτω:

| | | | |
|-----|-----------------------------|-----|------------------------|
| D-1 | Λαβή μπροστινής υποβοήθησης | D-4 | Πεταλούδα |
| D-2 | Ράβδος ασφάλισης | H-1 | Μαλακό χιτώνιο |
| D-3 | Μπλοκ σύσφιξης | H-2 | Ετικέτα προειδοποίησης |

ΣΗΜΕΙΩΣΗ: Η λαβή μπροστινής υποβοήθησης πρέπει να περιστραφεί προς τα επάνω ώστε να δείχνει προς το άνω μέρος της λαβής.

⚠️ ΠΡΟΕΙΔΟΠΟΙΗΣΗ: Στερεώνετε τη λαβή μπροστινής υποβοήθησης μόνο μπροστά από το μαλακό χιτώνιο στον άξονα.

⚠️ ΠΡΟΕΙΔΟΠΟΙΗΣΗ: Το εργαλείο δεν μπορεί να χρησιμοποιηθεί χωρίς να έχει στερεωθεί με ασφάλεια η λαβή μπροστινής υποβοήθησης.

ΛΕΙΤΟΥΡΓΙΑ

⚠️ ΠΡΟΕΙΔΟΠΟΙΗΣΗ: Η εξοικειωσή σας με αυτό το προϊόν δε θα πρέπει να σας κάνει λιγότερο προσεκτικούς. Θυμηθείτε πως ένα κλάσμα δευτερολέπτου απροσεξίας μπορεί να προκαλέσει σοβαρό τραυματισμό.

⚠️ ΠΡΟΕΙΔΟΠΟΙΗΣΗ: Φοράτε πάντα προστασία για τα μάτια με πλαϊνά προστατευτικά, μαζί με προστασία για την ακοή. Σε αντίθετη περίπτωση, είναι πιθανό να υπάρξει εκτόξευση αντικειμένων στα μάτια σας και άλλοι πιθανοί σοβαροί τραυματισμοί.

⚠️ ΠΡΟΕΙΔΟΠΟΙΗΣΗ: Μη χρησιμοποιείτε εξαρτήματα που δε συνιστώνται από τον κατασκευαστή αυτού του προϊόντος. Η χρήση παρελκόμενων ή εξαρτημάτων που δε συνιστώνται από τον κατασκευαστή, ενέχει τον κίνδυνο σοβαρού τραυματισμού.

⚠️ ΠΡΟΕΙΔΟΠΟΙΗΣΗ: Χρησιμοποιείτε το χλοοκοπτικό με νήμα εξοπλισμένο με το κατάλληλο νήμα κοπής μόνο για κοπή γρασιδιού και παρόμοιων υλικών.

Μπορείτε να χρησιμοποιήσετε αυτό το προϊόν για τους κατωτέρω αναφερόμενους σκοπούς:

Τριμάρισμα: χρησιμοποιείται για την απομάκρυνση γρασιδιού και αγριόχορτων σε τοίχους, φράχτες, δέντρα και όρια.

Κοπή: χρησιμοποιείται για την κοπή γρασιδιού στο οποίο η πρόσβαση είναι δύσκολη με κανονικό μηχάνημα κοπής χορταριού.

ΣΗΜΕΙΩΣΗ: Το εργαλείο πρέπει να χρησιμοποιείται αποκλειστικά για τη σκοπούμενη χρήση. Οποιαδήποτε άλλη χρήση, για παράδειγμα τριμάρισμα άκρων, θα χαρακτηριστεί ως περίπτωση κακής χρήσης.

ΠΡΟΣΑΡΤΗΣΗ/ΑΠΟΜΑΚΡΥΝΣΗ ΤΗΣ ΣΥΣΤΟΙΧΙΑΣ ΜΠΑΤΑΡΙΩΝ

Φορτίστε πλήρως πριν από την πρώτη χρήση.

Να χρησιμοποιείται μόνο με τις συστοιχίες μπαταριών και τους φορτιστές που αναφέρονται στην εικ. Α2.

Για την προσάρτηση

Ευθυγραμμίστε τις νευρώσεις μπαταρίας με τις οπές τοποθέτησης και πιέστε τη συστοιχία μπαταριών, έως ότου ακούσετε ένα «κλικ».

Για την απομάκρυνση

Πιέστε το κουμπί αποδέσμευσης μπαταρίας και βγάλτε έξω τη συστοιχία μπαταριών όπως φαίνεται στην Εικ. Κ.

ΤΡΟΠΟΣ ΣΥΓΚΡΑΤΗΣΗΣ ΤΟΥ ΧΛΟΟΚΟΠΤΙΚΟΥ ΜΕ ΝΗΜΑ

⚠️ ΠΡΟΕΙΔΟΠΟΙΗΣΗ: Ντύνεστε κατάλληλα για τη μείωση κινδύνου τραυματισμού κατά τη λειτουργία αυτού του εργαλείου. Μη φοράτε φαρδιά ρούχα ή κοσμήματα. Φοράτε προστατευτικά γυαλιά και προστατευτικό αφώνιο/ακοής. Φοράτε βαριά, μακριά παντελόνια, μπότες και γάντια. Μην φοράτε κοντά παντελόνια, σανδάλια και μην είστε ξυπόλυτοι.

Πριν τη λειτουργία, κρατήστε το χλοοκοπτικό και με τα δύο χέρια, το ένα χέρι στην πίσω λαβή και το άλλο στη λαβή μπροστινής υποβοήθησης που θα είναι ίσια (Εικ. Λ). Κατόπιν βεβαιωθείτε ότι στέκεστε με ισορροπία και με σωστή απόσταση για κοπή χωρίς να σκύβετε μπροστά.

ΕΝΑΡΞΗ/ΣΤΑΜΑΤΗΜΑ ΤΟΥ ΧΛΟΟΚΟΠΤΙΚΟΥ ΜΕ ΝΗΜΑ

Έναρξη

Πατήστε κάτω το μοχλό κλειδώματος και κρατήστε τον σε αυτή τη θέση. Πατήστε τη σκανδάλη για να ενεργοποιήσετε το χλοοκοπτικό με νήμα όπως φαίνεται στην Εικ. Μ.

Σταμάτημα

Αποδεσμεύστε το μοχλό κλειδώματος και τη σκανδάλη.

⚠️ ΣΗΜΕΙΩΣΗ: Ο κινητήρας έχει δύο ταχύτητες για την κοπή, θέση «1» για χαμηλότερη ταχύτητα και θέση «2» για υψηλή ταχύτητα, όπως φαίνεται στην Εικόνα Μ. Απλά πατήστε το διακόπτη ρύθμισης ταχύτητας στην κατάλληλη θέση κατά τη διάρκεια της κοπής.

Εικ. Μ Για την περιγραφή των εξαρτημάτων δείτε παρακάτω:

| | |
|-----|--------|
| M-1 | Θέση 1 |
| M-2 | Θέση 2 |

⚠️ ΠΡΟΕΙΔΟΠΟΙΗΣΗ: Πάντα απομακρύνετε τη συστοιχία μπαταριών από το χλοοκοπτικό με νήμα κατά τη διάρκεια διαλειμμάτων και μετά την ολοκλήρωση της εργασίας.

ΧΡΗΣΗ ΤΟΥ ΧΛΟΟΚΟΠΤΙΚΟΥ ΜΕ ΝΗΜΑ

ΠΡΟΕΙΔΟΠΟΙΗΣΗ: Προς αποφυγή σοβαρού ατομικού τραυματισμού, φοράτε πάντα προστατευτικά γυαλιά ή γυαλιά προστασίας κατά τη λειτουργία αυτής της μονάδας. Φοράτε μια μάσκα προσώπου ή προστασίας από σκόνη σε τοποθεσίες με σκόνη.

Καθαρίζετε την περιοχή κοπής πριν από κάθε χρήση. Απομακρύνετε όλα τα αντικείμενα όπως πέτρες, σπασμένα γυαλιά, καρφιά, σύρματα ή νήματα τα οποία μπορεί να πεταχτούν ή να μπερδευτούν στο προσάρτημα κοπής. Εκκινώνετε το χώρο από παιδιά, παρευρισκόμενους και κατοικίδια. Τα παιδιά, οι παρευρισκόμενοι και τα κατοικίδια πρέπει να βρίσκονται τουλάχιστον 15 μ. μακριά. Μπορεί να συνεχίζει να υπάρχει κίνδυνος για τους παρευρισκόμενους λόγω εκτοξευόμενων αντικειμένων. Οι παρευρισκόμενοι πρέπει να ενθαρρύνονται να φοράνε προστασία για τα μάτια. Εάν σας προσεγγίσουν, σταματήστε το μοτέρ και το προσάρτημα κοπής αμέσως.

Πριν από κάθε χρήση ελέγχετε για εξαρτήματα με ζημιές/φθορές

Ελέγχετε την κεφαλή πρόσκρουσης, το προστατευτικό και τη λαβή μπροστινής υποβοήθησης και αντικαθιστάτε τα εξαρτήματα που έχουν ρωγμές, παραμόρφωση, λυγίσματα ή ζημιές οποιουδήποτε είδους.

Η λεπίδα κοπής νήματος στο άκρο του προστατευτικού μπορεί να στομώσει με την πάροδο του χρόνου. Συστήνεται να την τροχίζετε ανά τακτά χρονικά διαστήματα με μια λίμα ή να την αντικαθιστάτε με νέα.

⚠️ ΠΡΟΕΙΔΟΠΟΙΗΣΗ: Φοράτε πάντα γάντια κατά την τοποθέτηση του προστατευτικού ή κατά το τρόχισμα ή την αντικατάσταση της λεπίδας. Προσεύχετε τη λεπίδα στο προστατευτικό και προστατεύετε το χέρι σας από κοπή.

Μετά από κάθε χρήση, καθαρίζετε το χλοοκοπτικό.

⚠️ ΠΡΟΦΥΛΑΞΗ: Εμπόδια στις οπές εμποδίζουν ροή του αέρα στο περιβλήμα μοτέρ και έχουν σαν αποτέλεσμα υπερθέρμανση ή ζημιά στο μοτέρ.

- Χρησιμοποιείτε μόνο ήπιο σαπούνι και ένα υψωτό πανί για τον καθαρισμό του εργαλείου. Ποτέ μην επιτρέπετε υγρα να φτάνουν στο εσωτερικό του εργαλείου. Ποτέ μην βυθίζετε κανένα τμήμα του εργαλείου μέσα σε υγρά.
- Διατηρείτε πάντα τις οπές αερισμού στο περιβλήμα μοτέρ και τον άξονα ελεύθερες από υπολείμματα.

⚠️ ΠΡΟΕΙΔΟΠΟΙΗΣΗ: Ποτέ μη χρησιμοποιείτε νερό για τον καθαρισμό του θαμνοκοπτικού σας. Αποφύγετε τη χρήση διαλυτών κατά τον καθαρισμό των πλαστικών εξαρτημάτων. Τα περισσότερα πλαστικά είναι ευπαθή

στη χρήση διαφόρων τύπων διαλυτών του εμπορίου. Χρησιμοποιείτε καθαρό πανί για την απομάκρυνση βρωμιάς, σκόνης, λαδιού, γράσου κτλ.

ΡΥΘΜΙΣΗ ΤΟΥ ΜΗΚΟΥΣ ΝΗΜΑΤΟΣ ΚΟΠΗΣ

Η κεφαλή πρόσκρουσης επιτρέπει στον χειριστή να αποδεσμεύσει περισσότερο νήμα κοπής χωρίς να σταματήσει το μοτέρ. Καθώς το νήμα ξεφτίζει ή φθείρεται, μπορεί να αποδεσμευτεί περισσότερο νήμα πατώντας ελαφρά το κουμπί πρόσκρουσης στο έδαφος ενώ λειτουργεί το χλοοκοπτικό (Δείτε την Εικ. Ν).

ΣΗΜΕΙΩΣΗ: Η αποδέσμευση νήματος θα είναι πιο δύσκολη καθώς το νήμα κοπής γίνεται πιο κοντό.

⚠️ ΠΡΟΕΙΔΟΠΟΙΗΣΗ: Μην απομακρύνετε ή τροποποιείτε τη μονάδα λεπίδας κοπής νήματος. Υπερβάλλον μήκος νήματος θα προκαλέσει υπερθέρμανση στο μοτέρ και μπορεί να προκύψει σοβαρός ατομικός τραυματισμός.

ΑΝΤΙΚΑΤΑΣΤΑΣΗ ΝΗΜΑΤΟΣ

ΣΗΜΕΙΩΣΗ: Χρησιμοποιείτε πάντα το προτεινόμενο νήμα κοπής με μια διάμετρο που δεν υπερβαίνει τα 2,0 χιλ. Η χρήση νήματος διαφορετικού από το καθορισμένο μπορεί να προκαλέσει υπερθέρμανση ή ζημιά στο χλοοκοπτικό με μεσινέζα.

⚠️ ΠΡΟΕΙΔΟΠΟΙΗΣΗ: Ποτέ μη χρησιμοποιείτε νήμα με μεταλλική ενίσχυση, σύρμα, σχοινί κ.λπ. Αυτά μπορεί να σπάσουν και να εκτοξευθούν.

Υπάρχουν δύο μέθοδοι αντικατάστασης του νήματος κοπής:

1. Τυλίξτε στο καρούλι το νέο νήμα.
2. Εγκαταστήστε ένα προτυλιγμένο καρούλι (AS1302.. εφόσον απαιτείται, διαθέσιμο στον έμπορο).

Τύλιγμα νέου νήματος στο καρούλι

Πιέστε τις δύο γλωτίδες αποδέσμευσης στη βάση καρουλιού και τραβήξτε έξω το συγκρατητήρα καρουλιού (Εικ. Ο). Βγάλτε έξω περίπου 5 μ. από το νέο νήμα κοπής. Διπλώστε και τυλίξτε επάνω στο καρούλι όπως φαίνεται στην Εικ. Ρ & Q. Κατόπιν τοποθετήστε τα άκρα νήματος μέσα από τις δύο αντίθετα κείμενες εγκοπές στο καρούλι (Εικ. R) και τοποθετήστε το καρούλι μέσα στον συγκρατητήρα του με τις εγκοπές ευθυγραμμισμένες με τα οφθαλμίδια συγκρατητήρα (Εικ. T). Τέλος ευθυγραμμίστε τις εσοχές συγκρατητήρα με τις γλωτίδες στη βάση καρουλιού και πατήστε ομοίομορφα κάτω το συγκρατητήρα, εξασφαλίζοντας ότι κουμπώνει στη σωστή θέση (Εικ. S).

ΣΗΜΕΙΩΣΗ: Καθαρίζετε πάντα τον συγκρατητήρα καρουλιού, το καρούλι και τη βάση καρουλιού προτού επανασυναρμολογήσετε την κεφαλή χλοοκοπτικού. Ελέγξτε τον συγκρατητήρα καρουλιού, το καρούλι και τη βάση καρουλιού για φθορά. Εφόσον απαιτείται, αντικαταστήστε εξαρτήματα με φθορές.

ΣΗΜΕΙΩΣΗ: Εάν δεν τυλίξετε το νήμα στην απεικονιζόμενη κατεύθυνση, θα προκληθεί εσφαλμένη λειτουργία της κεφαλής χλοοκοπτικού.

Εγκατάσταση ενός προτυλιγμένου καρουλιού

Πιέστε τις δύο γλωτίδες αποδέσμευσης στη βάση καρουλιού και τραβήξτε έξω το συγκρατητήρα καρουλιού (Εικ. Ο). Κατόπιν τοποθετήστε ένα προτυλιγμένο καρούλι μέσα στον συγκρατητήρα με τις εγκοπές ευθυγραμμισμένες με τα οφθαλμίδια συγκρατητήρα (Εικ. Τ). Τέλος ευθυγραμμίστε τις εσοχές συγκρατητήρα με τις γλωτίδες στη βάση καρουλιού και πατήστε ομοιόμορφα κάτω το συγκρατητήρα, εξασφαλίζοντας ότι κουμπώνει στη σωστή θέση (Εικ. Σ).

Εικ. Σ & Τ Για την περιγραφή των εξαρτημάτων δείτε παρακάτω:

| | | | |
|-----|---------|-----|------------|
| S-1 | Γλωτίδα | T-1 | Εγκοπή |
| S-2 | Υποδοχή | T-2 | Οφθαλμίδιο |

ΣΗΜΕΙΩΣΗ: Εξασφαλίστε ότι οι γλωτίδες στη βάση καρουλιού κουμπώνουν στη θέση τους ή ότι το καρούλι δεν θα βγει κατά τη λειτουργία.

ΣΥΝΤΗΡΗΣΗ

⚠ ΠΡΟΕΙΔΟΠΟΙΗΣΗ: Όταν κάνετε συντήρηση του εργαλείου, χρησιμοποιείτε μόνο ίδια ανταλλακτικά. Η χρήση σπαιωνδήποτε άλλων εξαρτημάτων μπορεί να προκαλέσει κίνδυνο ή υλικές ζημιές. Για να διασφαλίσετε την ασφάλεια και την αξιοπιστία, όλες οι επισκευές και οι αντικαταστάσεις πρέπει να διεξάγονται από εξειδικευμένο τεχνικό του σέρβις.

⚠ ΠΡΟΕΙΔΟΠΟΙΗΣΗ: Τα εργαλεία μπαταρίας δεν πρέπει να συνδέονται σε ηλεκτρική πρίζα. Γι' αυτό βρίσκονται πάντα σε κατάσταση λειτουργίας. Για να εμποδίσετε σοβαρό ατομικό τραυματισμό, λάβετε επιπρόσθετα προληπτικά μέτρα και προσέχετε όταν διεξάγετε συντήρηση, σέρβις ή όταν αλλάζετε προσάρτημα κοπής ή άλλα προσάρτηματα.

⚠ ΠΡΟΕΙΔΟΠΟΙΗΣΗ: Για να εμποδίσετε σοβαρό ατομικό τραυματισμό, απομακρύνετε τη συστοιχία μπαταριών από το εργαλείο πριν από σέρβις, καθαρισμό, αλλαγή πρόσθετων ή αφαίρεση υλικού από τη μονάδα.

ΚΑΘΑΡΙΣΜΟΣ ΤΗΣ ΜΟΝΑΔΑΣ

- Καθαρίζετε τη μονάδα χρησιμοποιώντας ένα νωπό πανί με ήπιο απορρυπαντικό.
- Μη χρησιμοποιήσετε κανένα δραστικό απορρυπαντικό πάνω στο πλαστικό περίβλημα ή τη λαβή. Αυτά μπορούν να καταστραφούν από ορισμένα αρωματικά έλαια, όπως πεύκο και λεμόνι, καθώς και από διαλύτες, όπως η κηροζίνη. Η υγρασία μπορεί επίσης να προκαλέσει κίνδυνο ηλεκτροπληξίας. Σκουπίστε ενδεχόμενη υγρασία με ένα μαλακό στεγνό πανί.
- Χρησιμοποιείτε μια μικρή βούρτσα ή την έξοδο αέρα μιας μικρής ηλεκτρικής αναρροφητικής βούρτσας για να απομακρύνετε από τις οπές αερισμού εμπόδια στο πίσω περίβλημα.

ΑΠΟΘΗΚΕΥΣΗ ΤΗΣ ΜΟΝΑΔΑΣ

- Απομακρύνετε τη συστοιχία μπαταριών από το χλοοκοπτικό με νήμα όταν δεν χρησιμοποιείται.
- Καθαρίστε το εργαλείο σχολαστικά προτού το αποθηκεύσετε.
- Αποθηκεύετε τη μονάδα σε έναν στεγνό, καλά αεριζόμενο χώρο, κλειδωμένο ή σε ψηλό σημείο, εκτός εμβέλειας παιδιών. Μην αποθηκεύετε τη μονάδα επάνω ή δίπλα σε λιπάσματα, βενζίνη ή άλλες χημικές ουσίες.

Προστασία του περιβάλλοντος



Μη απορρίπτετε ηλεκτρικό εξοπλισμό, παλιές μπαταρίες και φορτιστές στα οικιακά απορρίμματα! Μεταφέρετε αυτό το προϊόν σε εξουσιοδοτημένο κέντρο ανακύκλωσης και παραδώστε το για ξεχωριστή συλλογή. Τα ηλεκτρικά εργαλεία πρέπει να επιστρέφονται σε περιβαλλοντικά συμβατή μονάδα ανακύκλωσης.

GR

ΑΝΤΙΜΕΤΩΠΙΣΗ ΠΡΟΒΛΗΜΑΤΩΝ

| ΠΡΟΒΛΗΜΑ | ΑΙΤΙΑ | ΕΠΙΛΥΣΗ |
|---|---|---|
| Το χλοοκοπτικό με νήμα δεν εκκινείται. | <ul style="list-style-type: none"> ■ Η συστοιχία μπαταριών δεν έχει προσαρτηθεί στο χλοοκοπτικό. ■ Δεν υπάρχει ηλεκτρική επαφή μεταξύ του χλοοκοπτικού και της μπαταρίας. ■ Η συστοιχία μπαταριών έχει εξαντληθεί. ■ Ο μοχλός ασφάλισης και η σκανδάλη δεν πατήθηκαν ταυτόχρονα. | <ul style="list-style-type: none"> ■ Τοποθετήστε τη συστοιχία μπαταριών στο χλοοκοπτικό. ■ Απομακρύνετε τη μπαταρία, ελέγξτε τις επαφές και επαναγκαταστήστε τη συστοιχία μπαταριών. ■ Φορτίστε τη συστοιχία μπαταριών. ■ Πατήστε κάτω το μοχλό ασφάλισης και κρατήστε τον, κατόπιν πιέστε τη σκανδάλη για να ενεργοποιήσετε το χλοοκοπτικό με νήμα. |
| Το χλοοκοπτικό ΜΕ ΝΗΜΑ σταματάει κατά την κοπή. | <ul style="list-style-type: none"> ■ Το προστατευτικό δεν έχει τοποθετηθεί στο χλοοκοπτικό με αποτέλεσμα εξαιρετικά μακριά γραμμή κοπής και υπερφόρτωση του μοτέρ. ■ Χρησιμοποιείται βαριά γραμμή κοπής. ■ Ο άξονας μοτέρ ή η κεφαλή χλοοκοπτικού έχουν μπλοκαριστεί με γρασίδι. ■ Το μοτέρ έχει υπερφορτωθεί. ■ Η συστοιχία μπαταριών ή το χλοοκοπτικό με νήμα είναι πολύ καυτά. ■ Η συστοιχία μπαταριών έχει αποσυνδεθεί από το εργαλείο. ■ Η συστοιχία μπαταριών έχει εξαντληθεί. | <ul style="list-style-type: none"> ■ Απομακρύνετε τη συστοιχία μπαταριών και τοποθετήστε το προστατευτικό στο χλοοκοπτικό. ■ Χρησιμοποιήστε το σύνθετο νάιλον νήμα κοπής με διάμετρο όχι μεγαλύτερη από 2,0 χιλ. ■ Σταματήστε το χλοοκοπτικό, απομακρύνετε τη μπαταρία και αφαιρέστε το γρασίδι από τον άξονα μοτέρ και την κεφαλή χλοοκοπτικού. ■ Απομακρύνετε την κεφαλή χλοοκοπτικού από το γρασίδι. Το μοτέρ θα συνεχίσει να λειτουργεί μόλις αφαιρεθεί το φορτίο. Κατά την κοπή μετακινείτε την κεφαλή χλοοκοπτικού μέσα και έξω από το γρασίδι που θα κοπεί και μην απομακρύνετε σε μήκος περισσότερο από 20 εκ. σε μια μόνο κοπή. ■ Επιτρέψτε να κρυώσει η συστοιχία μπαταριών ή το χλοοκοπτικό, έως ότου η θερμοκρασία πέσει κάτω από τους 67°C. ■ Επαναγκαταστήστε τη συστοιχία μπαταριών. ■ Φορτίστε τη συστοιχία μπαταριών. |

GR

| ΠΡΟΒΛΗΜΑ | ΑΙΤΙΑ | ΕΠΙΛΥΣΗ |
|--|--|--|
| H κεφαλή χλοοκοπτικού δεν προωθεί νήμα. | <ul style="list-style-type: none"> ■ Ο άξονας μοτέρ ή η κεφαλή χλοοκοπτικού έχουν μπλοκαριστεί με γρασίδι. ■ Δεν υπάρχει επαρκές νήμα στο καρούλι. ■ Η κεφαλή χλοοκοπτικού είναι βρώμικη. ■ Το νήμα έχει μπλοκάρει στο καρούλι. ■ Το νήμα είναι πολύ κοντό. | <ul style="list-style-type: none"> ■ Σταματήστε το χλοοκοπτικό, απομακρύνετε τη μπαταρία και αφαιρέστε το γρασίδι από τον άξονα μοτέρ και την κεφαλή χλοοκοπτικού. ■ Απομακρύνετε τη μπαταρία και αντικαταστήστε το νήμα κοπής. Ακολουθήστε το απόσπασμα «ΑΝΤΙΚΑΤΑΣΤΑΣΗ ΝΗΜΑΤΟΣ» στο παρόν εγχειρίδιο. ■ Απομακρύνετε τη μπαταρία και καθαρίστε το καρούλι, το συγκρατητήρα καρουλιού και τη βάση καρουλιού. ■ Απομακρύνετε τη μπαταρία, αφαιρέστε το νήμα από το καρούλι και ξανατυλίξτε. Ακολουθήστε το απόσπασμα «ΑΝΤΙΚΑΤΑΣΤΑΣΗ ΝΗΜΑΤΟΣ» στο παρόν εγχειρίδιο. ■ Απομακρύνετε τη μπαταρία και τραβήξτε το νήμα ενώ πατάτε κάτω και αποδεσμεύετε διαδοχικά το κουμπί πρόσκρουσης. |
| Τυλίγεται γρασίδι γύρω από την κεφαλή χλοοκοπτικού και από το περίβλημα μοτέρ. | <ul style="list-style-type: none"> ■ Κοπή ψηλού γρασιδιού στο επίπεδο εδάφους. | <ul style="list-style-type: none"> ■ Κόβετε ψηλό γρασίδι από επάνω προς τα κάτω, απομακρύνοντας όχι περισσότερα από 20 εκ. σε κάθε διέλευση, ώστε να εμποδίσετε τύλιξη. |
| Το νήμα δεν κόβει καλά. | <ul style="list-style-type: none"> ■ Η λεπίδα κοπής νήματος στο άκρο του προστατευτικού έχει στομώσει. | <ul style="list-style-type: none"> ■ Τροχίστε τη λεπίδα κοπής νήματος με μια λίμα ή αντικαταστήστε με μια νέα λεπίδα |

ΕΓΓΥΗΣΗ

ΠΟΛΙΤΙΚΗ ΕΓΓΥΗΣΗΣ EGO

Επισκεφθείτε την ιστοσελίδα egopowerplus.com για όλους τους όρους και τις προϋποθέσεις της πολιτικής εγγύησης EGO.

GR

TÜM TALIMATLARI OKUYUN!



KULLANIM KILAVUZUNU OKUYUN

UYARI: Artık risk! Kalp pili gibi elektronik cihaz kullanan kişiler bu ürünü kullanmadan önce hekimlerine danışmalıdır. Elektrikli cihazların, kalp pili yakınında çalıştırılması kalp pilinde parazite veya arızaya neden olabilir.



Güvenlik Uyarısı



Koruyucu Gözlük Takın - Bu ürünü çalıştırırken daima göz koruması, yan siperleri olan koruyucu gözlük ya da tam yüz maskesi kullanın.



Kulak Koruması Takın - Bu ürünü kullanırken daima kulak koruması kullanın.



Koruyucu Kask Takın - Başınızı korumak için onaylanmış bir kask takın.



Yuvarlak kesim bıçağı takmayın.



En-Misinalı çim biçme makinesinin maks. kesim genişliği



Misinalı çim biçme makinesi kullanılırken diğer insanların ve evcil hayvanların en az 15m uzakta olduklarından emin olun.



Bu ürün, yürürlükteki AB yönetmeliklerine uygundur.



Atık elektrikli ürünler, evsel atıklar ile birlikte bertaraf edilmemelidir. Yetkili bir geri dönüşüm merkezine teslim edin.

V Voltaj

.../min Dakika Başına

kg Kilogram

GÜVENLİK SEMBOLLERİ

UYARI: Elektrikli aletlerin kullanımı yabancı nesnelerin gözlerinize fırlatılması sonucunu doğurabilir, bu da gözlerde ciddi hasara yol açabilir. Elektrikli aleti kullanmaya başlamadan önce, daima göz koruması veya yan siperleri olan koruyucu gözlük takın ve gerektiğinde tam yüz siperi kullanın. Gözlük üzerine kullanım için Wide Vision Koruyucu Maske ya da yan siperleri olan standart koruyucu gözlükleri tavsiye ederiz.



Yaralanma riskini azaltmak için, kullanıcı kullanma kılavuzunu mutlaka okumalıdır.



Koruyucu Ayakkabı Giyin - Bu cihazı kullanırken kaymaz emniyet ayakkabıları giyin.



Koruyucu Eldiven Takın - Bıçağa veya bıçak muhafazasına dokunurken eldiven giyerek ellerinizi koruyun.



Bıçağın kuvvetle itilmesine karşı dikkatli olun - Operatörü tirpan bıçağının oluşturacağı tehlikeye karşı uyarın.



Çap-Naylon kesim misinasının çapı



Fırlayan cisimler sekebilir ve kişisel yaralanma veya mal hasarına yol açabilir. Çalı kesici kullanılırken üçüncü şahısların ve evcil hayvanların cihazdan uzakta olduklarından emin olun.



Bu ürünü yağmur altında kullanmayın veya yağmur yağarken dışarıda bırakmayın.



Bu ürün, yürürlükteki Birleşik Krallık yasalarına uygundur.



Garanti edilen ses gücü seviyesi. Avrupa Birliği Yönetmeliği'ne göre çevre gürültü emisyonu.

n_0 Yüksüz Hız-Yüksüz dönüş hızı

Doğru Akım

TEKNİK ÖZELLİKLER

| | |
|---|---|
| Voltaaj | 56 V --- |
| Yüksüz hız | YÜKSEK: 6500/dak. DÜŞÜK: 5200/dak. |
| Kesim Mekanizması | Çarpma Başı |
| Kesim Misinası Türü | Ø2,0mm naylon yuvarlak misina |
| Kesim Genişliği | 33 cm |
| Tavsiye Edilen Çalışma Sıcaklığı | 0°C-40°C |
| Tavsiye Edilen Depolama Sıcaklığı | -20°C-70°C |
| Ağırlık (pil paketi hariç) | 2,76 kg |
| Ölçülen ses güç düzeyi L_{WA} | 92,1 dB(A) K=1,6 dB(A) |
| Operatör konumundaki ses güç düzeyi L_{PA} | 72,6 dB(A) K=2,5 dB(A) |
| Garanti edilen ses güç düzeyi L_{WA} (2000/14/EC uyarınca ölçülmüş) | 94 dB(A) |
| Titreşim a_n | Ön Tutma Sapı |
| | Arka Tutma Sapı |

- Bildirilen toplam titreşim değeri standart test yöntemine uygun olarak ölçülmüştür ve bir cihazı diğer bir cihaz ile karşılaştırmak için kullanılabilir.
- Bildirilen toplam titreşim değeri ayrıca ön maruz kalma değerlendirmesinde de kullanılabilir.

UYARI: Elektrikli aletin gerçek kullanımı sırasında meydana gelen titreşim emisyonu aletin kullanım şekline bağlı olarak bildirilen değerden farklı olabilir; Operatörü korumak için, kullanıcı gerçek kullanım koşullarında eldiven ve kulak koruması takmalıdır.

AMBALAJ LİSTESİ (Şek. A1)

AÇIKLAMA

ÇİT BUDAMA MAKİNENİZİ TANIYIN (Şek. A1)

1. Tetikleyici
2. Arka Tutma Sapı
3. Kilit kolunu
4. Hız Ayar Düğmesi
5. Yumuşak Manşon
6. Ayarlanabilir Ön Yardım Kolu

7. Çim Biçme Makinesi Başlığı (Çarpma Başı)
8. Çarpma Düğmesi
9. Misinalı Kesim Bıçağı
10. Koruyucu
11. Çıkarma Mekanizması
12. Elektrik Kontakları
13. Mandal
14. Pil Çıkarma Düğmesi

MONTAJ

ŞAFTIN AÇILMASI

⚠ UYARI: El ve parmaklarınızın sıkışmasını önlemek için şaftı contalarından tutmayınız.

⚠ UYARI: Şaft kilittenene kadar çim biçme makinesini başlatmaya kalkışmayın. Kablonun şaftın içinde olduğundan emin olarak şaftı nazikçe açın ve verilen anahtarları kullanarak iki vida ile kilitleyin (Şek. B1 ve B2).

KORUYUCUNUN MONTE EDİLMESİ

Koruyucu montaj delikleri ile montaj deliklerini hizalayın ve iki vida yardımıyla koruyucuyu mil tabanına sabitleyin. Koruyucunun Şek. C ye uygun olarak monte edildiğinden emin olun, hatalı bir montaj büyük tehlikeye yol açar!

ÖN YARDIM KOLONUN TAKILMASI VE AYARLANMASI

Ön yardım kolunu mil üzerine bastırın (Şek. E), ardından mengene bloğunu kol yuvasına yerleştirin (Şek. F), kilit pimini takın ve kelebek somun ile sabitleyin (Şek. G). İşlem sırası Şek. D'de gösterildiği gibidir. Son olarak, makineyi kullanırken ön kolunu düz olacak şekilde ön yardım kolunun konumunu ayarlayın (Şek. H) ve ardından kilit piminin ayar kolunu kilitleyin (Şek. I).

Şek. D ve H parça açıklaması aşağıdaki gibidir:

| | | | |
|-----|----------------|-----|----------------|
| D-1 | Ön Yardım Kolu | D-4 | Kelebek Somun |
| D-2 | Kilit Pimi | H-1 | Yumuşak Manşon |
| D-3 | Mengene Bloğu | H-2 | Uyarı Etiketi |

UYARI: Ön yardım kolu, kolun üst kısmına doğru bakacak şekilde yukarı doğru çevrilmelidir.

⚠ UYARI: Ön yardım kolunu sadece mil üzerindeki yumuşak manşonun önüne monte edin.

⚠ UYARI: Ön yardım kolu sağlam şekilde monte edilmeden aleti kullanmayın.

TR

ÇALIŞTIRMA

⚠ UYARI: Ürüne aşına olmanız sizi dikkatsiz yapmasın. İkinci dereceden bir dikkatsizliğin ciddi yaralanmalara neden olmak için yeterli olduğunu unutmayın.

⚠ UYARI: Daima yan siperleri olan göz koruması kullanın. Kulak koruması ile birlikte kullanın. Böyle yapılmaması sonucu gözlerinize fırlayan nesnelere ciddi kişisel yaralanmalara neden olabilir.

⚠ UYARI: Bu ürünün üreticisi tarafından önerilmeyen ek parça veya aksesuarları kullanmayın. Önerilmeyen parça veya aksesuarların kullanılması ciddi kişisel yaralanmalara neden olabilir.

⚠ UYARI: Misinalı çim biçme makinenizi uygun kesim ipi takılı olarak, sadece çim ve benzer malzemelerin kesimi için kullanın.

Bu ürünü aşağıda listelenen amaçlar için kullanabilirsiniz:

Budama: duvar, çit, ağaç ve kenarlıklarda bulunan çim ve otların temizlenmesi için kullanılır.

Kesim: normal çim biçme makinesi ile ulaşılması zor olan çimlerin kesilmesi için kullanılır.

UYARI: Alet sadece belirtilen amaç için kullanılmalıdır. Diğer kullanım şekilleri, örneğin kenar budama, hatalı kullanım olarak kabul edilir.

PİL PAKETİNİN TAKILMASI/ÇIKARILMASI

İlk kullanımdan önce tamamen şarj edin.

Sadece şek. A2 da listelenen pil paketi ve şarj cihazlarını kullanın.

Takmak için

Pilin çıkıntılarını ile montaj yuvalarını hizalayın ve "klik" sesi duyuncaya kadar pil paketini aşağıya bastırın. (Şek. J)

Çıkarmak için

Şek. K'de gösterildiği gibi pil çıkarma düğmesine basın ve pil paketini çekip çıkarın. (Şek. K)

MİSİNALI ÇİM BİÇME MAKİNESİNİN TUTULMASI

⚠ UYARI: Bu cihazı kullanırken yaralanma riskini azaltmak için uygun şekilde giyinin. Bol giysiler giymeyin veya takı takmayın. Göz ve kulak/işitme koruması takın. Dayanıklı, uzun pantolon, eldiven ve bot giyin. Kısa pantolon, sandalet giymeyin veya çıplak ayakla çalışmayın.

Cihazı çalıştırmadan önce, bir eliniz arka tutma kolunda ve diğer eliniz düz bir şekilde ön yardım kolunda olmak üzere biçme makinesini iki elinizle tutun (Şek. L). Ardından, operatörüne öne doğru eğilmeden, dengeli bir duruş ile doğru mesafesi sağladığını kontrol edin.

MİSİNALI ÇİM BİÇME MAKİNESİNİ BAŞLATMA/ DURDURMA

Başlatmak için

Kilitleme düğmesini basılı tutun. Misinalı çim biçme makinesini çalıştırmak için, Şek. M'de gösterildiği gibi tetiğe basın.

Durdurmak için

Kilit kolunu ve tetiği bırakın.

⚠ UYARI: Motor iki kesim hıza sahiptir, Şek. M'de gösterildiği gibi düşük hız için Konum "1" ve yüksek hız için Konum "2". Kesim sırasında hız ayar düğmesini uygun konuma getirmeniz yeterlidir.

Şek. M parça açıklaması aşağıdaki gibidir:

| | |
|-----|---------|
| M-1 | Konum 1 |
| M-2 | Konum 2 |

⚠ UYARI: Mola verdiğinizde ve işi bitirdikten sonra daima pil paketini makineden çıkarın.

MİSİNALI ÇİM BİÇME MAKİNESİNİN KULLANIMI

⚠ UYARI: Ciddi kişisel yaralanmayı önlemek için, bu cihazı kullanırken daima göz koruması veya koruyucu gözlük takın. Çalışma ortamı tozluysa, yüz veya toz maskesi takın.

Her kullanımdan önce kesilecek alanı temizleyin. Kesim parçalarına takılabilecek veya fırlatılabilecek taş, kırık cam, çivi, tel veya sicim vb. tüm nesnelere temizleyin. Çocukları, üçüncü şahısları ve evcil hayvanları çalışma alanından uzak tutun. Çocukları, üçüncü şahısları ve evcil hayvanları çalışma alanından en az 15 metre uzak tutun; üçüncü şahısların fırlayan nesnelere yaralanma riski bu mesafeye rağmen hala olabilir. Üçüncü şahısların göz koruması kullanmalarını önerilir. Çalışırken yanınıza yaklaşan kimselerin olması durumunda derhal motoru ve kesici parçaları durdurun.

Her kullanımdan önce hasarlı/aşınmış parça olup olmadığını kontrol edin.

Çarpma başlığını, koruyucuyu ve ön yardım kolunu kontrol edin ve çatlak, kıvrılmış, eğik veya hasarlı kesim parçalarını değiştirin.

Koruyucunun kenarındaki misina kesim bıçağı zamanla körelebilir. Bu bıçağı düzenli olarak bir eğe ile bileyeniz veya yeni bir bıçakla değiştirmeniz önerilir.

⚠ UYARI: Bıçakları bilerken veya değiştirirken daima eldiven takın. Koruyucu üzerindeki bıçağı ve elinizin kesilmemesine dikkat edin.

Her kullanımın ardından, çim biçme makinesini temizleyin.

⚠ DİKKAT: Hava deliklerindeki tıkanıklıklar motor gövdesindeki hava akımını engelleyerek aşırı ısınmaya ve motor hasarına neden olabilir.

- Aleti temizlemek için sadece nemli bir bez ve yumuşak bir temizleyici kullanın. Asla cihaza su girmesine izin vermeyin; aletin herhangi bir parçasını sıvıya daldırmayın.
- Motor gövdesindeki hava deliklerinin ve milin her zaman temiz kalmasını sağlayın

⚠ UYARI: Çim biçme makinenizi temizlemek için asla su kullanmayın. Plastik parçaları temizlerken çözücü maddeler kullanmaktan kaçının. Çoğu plastik parça çeşitli tip ticari solventlerden zarar görebilir. Kir, toz, yağ, gres, vb. gidermek için temiz bez kullanın.

KESİM İPİ UZUNLUĞUNUN AYARLANMASI

Çarpma başlığı operatörün motoru durdurmaya gerek kalmadan kesim ipini salmasına olanak sağlar. İp aşınır veya yıpranırsa, çim biçme makinesi çalışır durumdayken çarpma düğmesini hafifçe yere vurarak biraz daha ip salınabilir (Bkz. Şek. N).

UYARI: Kesim ipi kısalıdıkça ipin bırakılması zorlaşır.

⚠ UYARI: Misina kesim bıçak donanımını çıkarmayın veya değiştirmeyin. Aşırı uzun kesim ipi motorun aşırı ısınmasına neden olabilir ve ciddi kişisel yaralanmaya yol açabilir.

MİSİNANIN DEĞİŞTİRİLMESİ

⚠ UYARI: Daima 2,0 mm'yi aşmayan bir çapa sahip naylon kesim ipi kullanılması önerilir. Belirtilenin dışında kesim ipi kullanımı makinenin aşırı ısınmasına veya hasar görmesine neden olabilir.

⚠ UYARI: Asla metal takviyeli misina, tel, ip, vb. malzeme kullanmayın. Bunlar koparak tehlikeli biçimde fırlatabilir.

Kesim ipini değiştirmek için iki yöntem kullanılır:

1. Makaraya yeni ip sarılması.
2. Hazır sarılı bir makaranın takılması (gerekirse, bayinizden isteyin: AS1302).

Makaraya yeni ip sarılması

Makara üzerindeki iki adet açma tırnağına bastırın ve makara tespit pimini çekin (Şek. O). Yeni kesim ipini yaklaşık 5 m kadar açın. Şek P ve Q'da gösterildiği gibi ipi katlayarak makaraya sarın. Ardından ipin uçlarını makara üzerindeki

iki karşılıklı çentiğe yerleştirin (Şek. R) ve çentikler ile tespit piminin deliklerini hizalayarak makarayı tespit pimine yerleştirin (Şek. T). Son olarak, tespit pimi yuvaları ile makara tabanındaki tırnakları hizalayın ve tespit pimini düz bir şekilde aşağıya doğru bastırarak yerine oturmasını sağlayın (Şek. S).

UYARI: Çim biçme başlığını monte etmeden önce, mutlaka makara tespit pimini, makarayı ve makara tabanını temizleyin. Makara tespit pimini, makarayı ve makara tabanını aşınmaya karşı kontrol edin. Gerekirse aşınmış parçaları değiştirin.

UYARI: İpin belirtilen yönde sarılmaması, çim biçme başlığının doğru çalışmasına neden olur.

Hazır sarılı bir makaranın takılması

Makara üzerindeki iki adet açma tırnağına bastırın ve makara tespit pimini çekin (Şek. O). Ardından, çentikler ile tespit pimi delikleri hizalanmış olarak hazır sarılı bir makarayı tespit pimine yerleştirin (Şek. T). Son olarak, tespit pimi yuvaları ile makara tabanındaki tırnakları hizalayın ve tespit pimini düz bir şekilde aşağıya doğru bastırarak yerine oturmasını sağlayın (Şek. S).

Şek. S ve T parça açıklaması aşağıdaki gibidir:

| | | | |
|-----|--------|-----|--------|
| S-1 | Tırnak | T-1 | Çentik |
| S-2 | Yuva | T-2 | Delik |

UYARI: Makara tabanındaki tırnakların yerine oturduğundan emin olun, aksi takdirde makara çalışma sırasında yerinden çıkabilir.

BAKIM

⚠ UYARI: Bakım ve onarım sırasında birebir aynı yedek parçaları kullanın. Diğer parçaların kullanılması tehlike oluşturabilir veya ürünün hasar görmesine neden olabilir. Güvenliği ve güvenilirliği sağlamak için, tüm onarım işlemleri yetkili bir servis teknisyeni tarafından gerçekleştirilmelidir.

⚠ UYARI: Pille çalışan aletlerin elektrik prizine takılmalarına gerek yoktur; bu nedenle daima çalışma durumdadırlar. Ciddi kişisel yaralanmayı önlemek için, kesim parçaları veya diğer parçalara bakım veya onarım yaparken veya değişim sırasında ekstra önlemler alın ve dikkatli olun.

⚠ UYARI: Ciddi kişisel yaralanmaları önlemek için, eklenti parçalara bakım veya onarım, temizlik, değişim yapmadan veya makineden malzeme çıkarmadan önce pil takımını çıkarın.

CİHAZIN TEMİZLENMESİ

- Cihazı nemli bir bez ve yumuşak bir deterjanla temizleyin.
- Plastik gövde veya tutma kolu üzerinde güçlü deterjanlar kullanmayın. Çam ve limon gibi belirli aromatik yağlar ve kerosen gibi çözücü maddeler bu yüzeylere zarar verebilir. Nem nedeniyle elektrik çarpması tehlikesi oluşabilir. Yumuşak kuru bir bezle rutubeti silin.
- Arka gövdedeki hava deliklerinde bulunan tıkanıklığı temizlemek için küçük bir fırça veya elektrikli süpürgeğin hava çıkışı kullanın.

CİHAZIN SAKLANMASI

- Kullanılmadığı zamanlarda, pil paketini misinalı çim biçme makinesinden çıkarın.
- Cihazı saklamadan önce tamamen temizleyin.
- Cihazı çocukların ulaşamayacağı kuru, iyi havalandırılmış, kilitli ve yüksek bir yerde muhafaza edin. Gübre, benzin veya diğer kimyasal maddelerin yanında saklamayın.

Çevre koruması



Elektrikli cihazları, kullanılmış aküyü ve akü şarj cihazını evsel atıklarla birlikte atmayın! Bu ürünü yetkili bir geri dönüşümcüye götürün ve ayrı bir şekilde toplanmasını sağlayın. Elektrikli aletler çevreyle uyumlu bir geri dönüşüm tesisine götürülmelidir.

SORUN GİDERME

| SORUN | NEDENİ | ÇÖZÜM |
|---|--|---|
| Misinalı çim biçme makinesi başlatılmıyor. | <ul style="list-style-type: none"> ■ Pil paketi, çim biçme makinesine takılı değil. ■ Çim biçme makinesi ile pil arasında elektrik teması yok. ■ Pil paketi boş. ■ Kilitleme kolu ve tetiğe aynı anda basılmıyor. | <ul style="list-style-type: none"> ■ Pil paketini çim biçme makinesine takın. ■ Pili çıkarın, temas noktalarını kontrol edin ve pil paketini yeniden takın. ■ Pil paketini şarj edin. ■ Kilitleme kolunu basılı tutun, ardından tetik düğmesine basarak makineyi çalıştırın. |
| Misinalı çim biçme makinesi kesim yaparken duruyor. | <ul style="list-style-type: none"> ■ Çim biçme makinesine koruyucu takılmamış, sonuç olarak aşırı uzun kesim ipi ve motorun aşırı ısınması söz konusu. ■ Ağır kesim ipi kullanılıyor. ■ Motor mili veya çim biçme başlığı çimler nedeniyle tutukluk yapıyor. ■ Motor aşırı yüklenmiş. ■ Pil paketi veya misinalı çim biçme makinesi çok sıcak. ■ Pil paketi ile aletin bağlantısı kesilmiş. ■ Pil paketi boş. | <ul style="list-style-type: none"> ■ Pil paketini çıkarın ve koruyucuyu çim biçme makinesine monte edin. ■ Çapı 2,0mm'den fazla olan standart naylonkesim ipi (misina) kullanın. ■ Çim biçme makinesini durdurun, pili çıkarın ve motor mili ve çim biçme başlığındaki çimleri temizleyin. ■ Çim biçme başlığını çimlerden kaldırın. İş yükü kalkar kalkmaz motor eskisi gibi çalışacaktır. Kesim yaparken, çim biçme başlığını kesilecek çimlerde ileri-geri hareket ettirin ve tek bir kesimde en fazla 20 cm uzunlukta kesim yapın. ■ Pil paketi veya çim biçme makinesinin 67°C'nin altına düşene kadar soğumasını bekleyin. ■ Pil paketini yeniden takın. ■ Pil paketini şarj edin. |
| Çim biçme başlığı misinayı ilerletmiyor. | <ul style="list-style-type: none"> ■ Motor mili veya çim biçme başlığı çimler nedeniyle tutukluk yapıyor. ■ Makarada yeterli ip yok. ■ Çim biçme başlığı kirli. ■ Misina makaraya dolaşmış. ■ Misina çok kısa. | <ul style="list-style-type: none"> ■ Çim biçme makinesini durdurun, pili çıkarın ve motor mili ve çim biçme başlığındaki çimleri temizleyin. ■ Pili çıkarın ve bu kılavuzdaki "MİSİNANIN DEĞİŞTİRİLMESİ" bölümünü izleyerek kesim ipini değiştirin. ■ Pili çıkarın ve makarayı, makara tespit pimini ve makara tabanını temizleyin. ■ Pili çıkarın ve bu kılavuzdaki "MİSİNANIN DEĞİŞTİRİLMESİ" bölümünü izleyerek kesim ipini makaradan çıkarın ve yeniden sarın. ■ Pili çıkarın ve çarpma düğmesine basıp bırakarak ipleri çekin. |

TR



| SORUN | NEDENİ | ÇÖZÜM |
|---|---|--|
| Çimler, çim biçme başlığının etrafına ve motor gövdesine dolanıyor. | <ul style="list-style-type: none">Uzun çimler zemin seviyesinde kesiliyor. | <ul style="list-style-type: none">Uzun çimleri üstten alta doğru kesin, dolanmayı önlemek için her geçişte en fazla 20 cm kesin. |
| Misina düzgün kesmiyor. | <ul style="list-style-type: none">Koruyucunun kenarındaki misina kesim bıçağı körelmiş. | <ul style="list-style-type: none">Misina kesim bıçağını bir eğe ile bileyin veya yeni bir bıçakla değiştirin. |

GARANTİ

EGO GARANTİ POLİTİKASI

EGO Garanti politikasına ilişkin tüm hüküm ve koşullar için, lütfen egopowerplus.com adresindeki web sitemizi ziyaret edin.

TR

160

56 VOLT LITYUM-İYON KABLOSUZ MISINALI ÇİM BIÇME MAKİNESİ— ST1300E-S

LUGEGE KÕIKI JUHISEID!



LUGEGE KASUTUSJUHEIDIT

⚠ HOIATUS! Kaasnev risk! Inimesed, kes kasutavad elektroonilisi seadmeid, nt südamestimulaatorit, peaksid enne selle toote kasutamist konsulteerima oma arstiga. Elektriseadmete kasutamine südamestimulaatori läheduses võib põhjustada südamestimulaatori häireid või rikkeid.



Ohutusteade



Kandke kaitseprille - Kandke selle toote kasutamise ajal alati kaitseprille või külgkaitsetega kaitseprille ja täielikku näokaitset.



Kasutage kõrvade kaitsevahendeid - Seadmega töötades kasutage alati kuulmiskaitset.



Kandke tugevat peakatet - Pea kaitsmiseks kandke nõuetekohast tugevast materjalist peakatet.



Ärge paigaldage ümaraid löiketerasid.



Laius - Jõhvtrimmeri maksimaalne löikeulatus



Jõhvtrimmeriga töötamise ajal ei tohi vähemalt 15 m raadiuses olla loomi ega teisi inimesi.



Toode vastab rakendatavatele EÜ direktiividele.



Elektriseadmete jäätmeid ei tohi visata olmejäätmete hulka. Viige volitatud taaskäitleja juurde.

V Pinge

.../min Minutis

kg Kilogramm

OHUTUSSÜMBOLID

⚠ HOIATUS! Mis tahes elektriliste tööriistade kasutamine võib põhjustada voolurõhke paiskumist silma, mis võib põhjustada raskeid silmakahjustusi. Kandke elektriliste tööriistade kasutamise ajal alati kaitseprille või külgkaitsetega kaitseprille ja vajadusel täielikku näokaitset. Soovitame kanda prillide peal laia vaatealaga kaitsemaski või tavalisi külgkaitsetega kaitseprille.



Vigastuste ohu vähendamiseks peab kasutaja enne toote kasutamist kasutusjuhendit lugema.



Kandke ohutusjalatseid. - Tööriista kasutamisel kandke mittelibisevaid turvajalanõusid.



Kindad - Tera või tera kaitse käsitsemisel kandke kätte kaitsmiseks kindaid.



Ettevaatust tera tagasilöögiga - Hoiatage seadme operaatorit tera tagasilöögi ohu eest.



Läbimoot - Nailonist löikejõhvi läbimoot



Voolurõhked võivad rikošetiga eemale paiskuda ja selle tagajärjeks võivad olla isikuvigastused või vara kahjustumine. Võsalõikuriga töötamise ajal ei tohi läheduses olla loomi ega teisi inimesi.



Mitte kasutada vihma käes või jätta välistingimustesse vihmajärgi ajal.



See toode vastab asjakohastele UK seadustele.



Garanteeritud helivõimsuse tase. Seadme müra keskkonnas on Euroopa Ühenduse direktiiviga vastavuses.

n_0 Tühikäigu kiirus-Tühikäigu pöörlemiskiirus

Alalisvool

ET

SPETSIFIKATSIOONID

| | | |
|--|-------------------------------------|--|
| Pinge | 56 V --- | |
| Tühikäigu kiirus | Kõrge: 6500 /min Madal 5200 /min | |
| Lõikemehhanism | Muhuga pea | |
| Lõikejõhvi tüüp | 2,0mm Nailon twist rida | |
| Lõikelaius | 33 cm | |
| Soovituslik töökeskkonna temperatuur | 0°C-40°C | |
| Soovituslik hoiustamise temperatuur | -20°C-70°C | |
| Mass (Ilma akuplokita) | 2,76 kg | |
| Möödetud helirõhu tase L_{WA} | 92,1 dB(A) K=1,6 dB(A) | |
| Maksimaalne helirõhk seadme operaatori kõrva juures L_{PA} | 72,6 dB(A) K=2,5 dB(A) | |
| Garanteeritud helirõhk L_{WA} (vastavalt 2000/14/EN) | 94 dB(A) | |
| Vibratsioon a_n | Eesmine abikäepide | 3,3 m/s ² K=0,9 m/s ² |
| | Tagumine käepide | 1,9 m/s ² K=1,5 m/s ² |

- Ametlik vibratsioonitaseme näit on möödetud standardsete testmeetodite kohaselt ja seda võidakse kasutada erinevate tööriistade võrdlemiseks.
- Ametlikku vibratsioonitaseme näitu võib kasutada ka alge kokkupuutehinnangu andmiseks.

MÄRKUS: Tegelikul kasutamisel tekki vibratsioonitase või ametlikult märgitust erineb; turvalisuse eesmärgil peaks seadme kasutaja kandma kindaid ja kuulmiskaitseid.

ET PAKENDI LOEND (Joon. A1)

KIRJELDUS

TUNNE OMA JÕHVTRIMMERIT (joon. A1)

1. Päästik
2. Tagumine käepide
3. Lukustushoob
4. Kiiruse reguleerimise lüliti
5. Pehme muhv
6. Kohandatav eesmine abikäepide

7. Muhuga pea (lõikepea)
8. Muhu nupp
9. Lõiketera
10. Piire
11. Väljutusmehhanism
12. Elektrikontaktid
13. Riiv
14. Akuvabastusnupp

SEADE

VARRE LAHTIVOLTIMINE

⚠ HOIATUS: Käte või sõrmede kinnijäämise vältimiseks ärge hoidke vart liigendkohtadest.

⚠ HOIATUS: Ärge käivitage trimmerit enne, kui vars on lukustatud. Voltige vars vaikselt lahti ja jälgige, et juhe on varre sees, seejärel lukustage vars kahe kruviga komplektis oleva mutrivõtme abil (joon. B1 ja B2).

KAITSEDETAILI PAIGALDAMINE

Joondage kaitse detaili paigaldusaugud aluse aukudega ja kinnitage kaitse detail nende kahe kruvi abil aluse külge. Veenduge, et kaitse detail on kinnitatud vastavalt joonistel C antud juhiste. Juhiste mittejärgimine tekitab väga ohtliku olukorra!

EESMISE ABIKÄEPIDE PAIGALDAMINE JA KOHANDAMINE

Lükake eesmine abikäepide völli peale (joon. E) ja paigaldage käepideme pesasse kinnitusplokk (joon. F). Paigaldage kinnitusdetail ning fikseerige kõik komponendid liblikmutriga (joon. G). Toimingute õige järjestus on kujutatud joonisel D. Viimasena kohandage eesmise abikäepideme asendit nii, et teie eesmine käsi oleks trimmeri kasutamise (joon. H) ajal sirge ja sobiva asendi leidmisel lukustage seade lukustusdetaili hoova abil (joon. I)

Jooniste D ja H osade kirjeldus, vt allpool:

| | | | |
|-----|--------------------|-----|-------------|
| D-1 | Eesmine abikäepide | D-4 | Tiibmutter |
| D-2 | Lukustusdetail | H-1 | Pehme muhv |
| D-3 | Kinnitusplokk | H-2 | Hoiatussilt |

MÄRKUS: Eesmine abikäepide tuleks pöörata ülespoole nii et see oleks suunatud käepideme tipu poole.

⚠ HOIATUS: Eesmist abikäepidet tohib paigaldada ainult völli peal oleva pehme muhvi ette.

⚠ HOIATUS: Sedaööriista ei tohi kasutada, kui eesmine abikäepide pole kindlalt kinnitatud.

KASUTAMINE

⚠ HOIATUS: Ärge muutuge toodet tundma õppides hooletuks. Pidage meeles, et raskeid vigastusi põhjustavaks õnnetuseks piisab ka sekundi murdosa pikkusest tähelepanematuses.

⚠ HOIATUS: Kandke alati küljekaitsega turvaprille. Koos kuulmiskaitsega. Vastasel korral võib teile midagi silma lennata ja võite saada ka muud laadi raskeid vigastusi.

⚠ HOIATUS: Ärge kasutage liseseadmeid või -tarvikuid, mida selle seadme valmistaja pole soovitanud. Mittesoovituslike liseseadmete või -tarvikute kasutamine võib põhjustada raskeid kehavigastusi.

⚠ HOIATUS: Kasutage sobiva jõhviga varustatud jõhvtrimmerit ainult muru ja muruga sarnase taimestiku lõikamiseks.

Seadet tohib kasutada allpool loetletud eesmärkidel:

Trimmimine: seinte, aedade, puude ja piirete ääres kasvava muru eemaldamiseks.

Lõikamine: sellise muru lõikamiseks, millele on tavalise niiduki abil keeruline ligi pääseda.

MÄRKUS: Seadet tohib kasutada vaid käesolevas juhendis lubatud eesmärgil. Igasugust muud kasutust (nt äärte trimmerdamist) loetakse väärkasutuseks.

AKUPLOKI PAIGALDAMINE/EEMALDAMINE

Laadige enne esimest kasutamist täielikult.

Kasutage ainult joonisel A2 esitatud akuplokke ja laadijaid.

Kinnitamine

Joondage aku ribad paigaldussoontega ja suruge akuplokki alla kuni kuulete klõpsatust (joon. J).

Eemaldamiseks

Vajutage akuvabastusnuppu ja tõmmake akuplokk välja, nagu näidatud joonisel K.

JÕHVTRIMMERI HOIUSTAMINE

⚠ HOIATUS: Kandke sobivat riietust, et vältida trimmeri kasutamise käigus vigastuste teket. Ärge kandke ehteid ega avaraid riideid. Kandke nägemis- ja kuulmiskaitsevahendeid. Kandke tugevast materjalist pikki pükse, saapaid ja kindaid. Ärge kandke trimmeriga töötades lühikesi pükse ega sandaale ja ärge töötage paljajalu.

Enne töö alustamist hoidke trimmerit kahe käega - ühe käega tagumist käepidet ja teisega eesmist abikäepidet, mis jääb sirgesse asendisse (joon. L). Seejärel kontrollige, kas töökohta maapind on kindel ja milline on sobiv lõikekaugus, et töö ajal ei peaks kummarduma.

JÕHVTRIMMERI KÄIVITAMINE/SEISKAMINE

Käivitamine

Vajutage lukustushooba ja hoidke seda all. Trimmeri käivitamiseks vajutage päästikule, nagu on näidatud joonisel M.

Peatamine:

Laske lukustushoob ja päästik lahti.

MÄRKUS: Mootoril on kaks lõikamiskiirust. Joonisel M näidatud asendis "1" rakendub aeglasema kiiruse režiim ja asendis "2" kiirema kiiruse režiim. Kiiruse muutmiseks lükake kiiruse kohandushoob töö ajal soovitud asendisse.

Joonise M osade kirjeldus, vt allapoole:

| | |
|-----|---------|
| M-1 | Asend 1 |
| M-2 | Asend 2 |

⚠ HOIATUS: Tööpauside ajal ja pärast töö lõpetamist eemaldage alati akuplokk hekilõikuri küljest.

JÕHVTRIMMERI KASUTAMINE

⚠ HOIATUS: Raskete vigastuste vältimiseks kasutage seadmega töötades alati kaitseprille. Tolmustes tingimustes kandke näomaski või tolmumaski.

Enne töö alustamist puhastage tööpiirkond vöörkehadest. Eemaldage tööpinnalt kõik, kivid, klaasikillud, naelad, juhtmed ja nõõrid, mis võivad seadme külge või sisse kinni jääda. Jälgige, et tööpiirkonnas poleks lapsi, kõrvalisi isikuid ega loomi- Lapsed, kõrvalseisjad ja loomad peavad olema vähemalt 15 meetri kaugusel; ka selle tingimuse täidetuse korral säilib kõrvalseisjatele mõningane oht. Soovitage kõrvalseisjatel kasutada kaitseprille. Kui keegi teile läheneb, seisake mootor ja lõikeseade koheselt.

Enne iga kasutuskorda kontrollige ega seadme osad kulunud või kahjustatud pole.

Kontrollige lõikepead, piiret ja eesmist abikäepidet ning vahetage välja mõranenud, väändunud, paindunud või muul moel kahjustatud komponendid.

Piirde jõhvi lõikav äär võib aja jooksul kuluda. Soovitav on seda arg-ajalt viiliga teritada või nürinemise korral uue vastu vahetada.

⚠ HOIATUS: Piirde paigaldamise või vahetamise ning tera teritamise või vahetamise ajal kasutage alati kindaid. Jälgige tera liikumist ja olge ettevaatlik, et te ei vigastaks oma käsi.

Puhastage trimmerit pärast iga kasutuskorda.

⚠ ETTEVAATUST: Õhutusava ees olevad objektid takistavad õhu pääsemist mootori korpusesse ning selle tulemusena võib mootor üle kuumeneda või kahjustusi saada.

- Puhastamiseks kasutage ainult pehmetoimelist seepi ja niisket lappi. Ärge laske vedelikul tööriista sisse sattuda ega kastke tööriista vedelikku sisse.
- Jälgige alati, et mootori korpuse ja võlli õhutusavad oleksid puhtad.

⚠ HOIATUS: Ärge kunagi puhastage trimmerit veega. Vältige plastosade kasutamisel lahustite kasutamist. Enamik plastmasse lagunevad kaubanduslike lahustite toimel kergesti. Kasutage mustuse, tolmu, õli, rasva jm eemaldamiseks puhast lappi.

LÕIKEJÕHVI KÕRGUSE KOHANDAMINE

Tänu muhuga lõikepeale saab kasutaja jõhvi pikendada seadet seiskamata. Kui jõhv läheb katki või kulub, puudutage jõhvi pikendamiseks lõikepea muhuga kergelt maad ilma trimmerit seiskamata (vt joon. P).

MÄRKUS: Lõikejõhvi vabastamine muutub jõhvi lühenedes järjest raskemaks.

⚠ HOIATUS: Ärge eemaldage ega kohandage jõhvi lõiketera. Liiga pikk jõhv põhjustab mootori ülekuumenemist, mis omakorda suurendab raskete vigastuste ohtu.

JÕHVI VAHETAMINE

MÄRKUS: Kasutage alati soovitatud nailonist lõikejõhvi kuni 2,0-millimeetrise läbimõõduga. Muu lõikejõhvi kasutamine võib põhjustada trimmeri ülekuumenemist või kahjustumist.

⚠ HOIATUS: Ärge kasutage metallise tugevdusega nõõri, traati, köit vmt. Need võivad murduda ning õhku tõustes ohtlikuks muutuda.

Lõikejõhvi vahetamiseks on kaks võimalust:

1. Kerige uus jõhv pooli ümber.
2. Paigaldage pool, millele on eelnevalt jõhv ümber keritud (AS1302, vajadusel saab osta edasimüüja käest).

Kerige uus jõhv pooli ümber.

Vajutage kahele pooli aluse vabastusnupule ja tõmmake pooli hoidik välja (joon. O). Võtke umbes 5m uut jõhvi. Kerige see ümber pooli, vastavalt joonistel P ja Q antud juhiste. Seejärel lükake jõhvi otsad läbi pooli kahe vastastikku asetseva tække (joon. T), paigaldage pool tagasi oma kohale nii, et pooli tæked on kohakuti pooli pesa augukestega (joon. W. Viimaks joondage pooli pesa sakid aluse ribadega ja suruge pooli pesa aeglaselt alla, jälgides, et see fikseeruks oma kohale (joon. S).

MÄRKUS: Enne trimmeri pea tagasi paigaldamist puhastage alati pooli pesa, pool ja pooli alus. Kontrollige ega pooli pesa või alus kulunud ei ole. Vajadusel vahetage kulunud osad.

MÄRKUS: Kui te ei keri jõhvi ümber pooli näidatud suunas, töötab trimmeri lõikepea valesti.

Elkeritud pooli paigaldamine

Vajutage kahele pooli aluse vabastusnupule ja tõmmake pooli hoidik välja (joon. O). Seejärel paigaldage valmiskeritud pool pesasse nii, et tæked oleksid kohakuti pesa augukestega. (joon. T). Viimaks joondage pooli pesa sakid aluse ribadega ja suruge pooli pesa aeglaselt alla, jälgides, et see fikseeruks oma kohale (joon. S).

Jooniste S ja T osade kirjeldus, vt allpool:

| | | | |
|-----|--------------|-----|--------|
| S-1 | Vabastussakk | T-1 | Täke |
| S-2 | Pesa | T-2 | Auguke |

MÄRKUS: Veenduge, et pooli aluse vabastussakid fikseeruvad kohale, sest vastasel korral võib pool töö käigus trimmerist välja kukkuda.

HOOLDUS

⚠ HOIATUS: Remontimisel kasutage vaid originaalvaruosi. Kontrollige ja hooldage seadet regulaarselt. Ohutuse ja töökindluse tagamiseks tohivad seda seadet remontida ainult vastava kvalifikatsiooniga hooldustehnikud.

⚠ HOIATUS: Akuga töötavaid tööriistu pole vaja vooluvõrku ühendada, seega on nad alati töörežiimis. Raskete vigastuste ennetamiseks olge väga hoolikas, kui teostate hooldus- või remonttöid või vahetate lõikeseadmeid või muid komponente.

⚠ HOIATUS: Raskete vigastuste vältimiseks eemaldage alati aku enne kui asute seadet remontima, puhastama, lisatarvikuid kinnitama või kinni jäänud objekte eemaldama.

SEADME PUHASTAMINE

- Puhastage seade, kasutades õrna puhastusvahendiga immutatud niisket lappi.
- Ärge kasutage plastmasskomponentide või käepideme puhastamiseks tugevatoimelisi puhastusaineid. Seadme osi võivad kahjustada teatud aromaatsed õlid (nt männi- või sidruniõli) ja teatud ained (nt petrooleum). Niiskus võib tekitada elektrilöögi ohu. Eemaldage niiskus pehme kuiva lapiga.
- Tagumise korpuse õhutusavade takistustest puhastamiseks kasutage väikest harja või tolmuimeja väikese harja õhuväljutusava.

SEADME HOIUSTAMINE

- Kui te jõhvtrimmerit ei kasuta, eemaldage selle akuplokk.
- Enne tööriista hoiustamist puhastage see hoolikalt.
- Hoidke tööriista kuivas ja kõrges lukustatud ning lastele ligipääsmatus kohas. Ärge hoidke seadet väetiste, bensiini või muude kemikaalide läheduses.

Keskkonnakaitse

Ärge visake elektriseadmeid, akulaadurit ega patareisid/akusid olmeprügi hulka! Viige toode volitatud taaskäitleja juurde ja võimaldage selle komponendid sorteerituna kõrvaldada. Elektritööriista viige keskkonnakaitseõnudeid järgivasse jäätmekäitluskeskusesse.

TÖRKEOTSING

| PROBLEEM | PÕHJUS | LAHENDUS |
|------------------------------------|---|---|
| Jõhvtrimmer ei käivitu. | <ul style="list-style-type: none"> ■ Akuplokk pole trimmeriga ühendatud. ■ Trimmeri ja aku vahel puudub elektriline ühendus. ■ Akuplokk on tühi. ■ Lukustushooba ja päästikut ei vajutatud samaaegselt. | <ul style="list-style-type: none"> ■ Kinnitage akuplokk trimmeri külge. ■ Eemaldage aku, kontrollige ühendusi ja paigaldage akuplokk tagasi. ■ Laadige akuplokk. ■ Jõhvtrimmeri sisse lülitamiseks vajutage lukustushooba ja hoidke seda all ning suruge päästik alla. |
| Jõhvtrimmer seiskub niitmise ajal. | <ul style="list-style-type: none"> ■ Piire pole trimmeri külge kinnitatud, mistõttu on jõhv liiga pikaks läinud ja mootor ülekoormatud. ■ Kasutatakse rasket jõhvi. ■ Muru on ummistanud mootori võlli või trimmeri pea. ■ Mootor on ülekoormatud ■ Akuplokk või jõhvtrimmer on liiga kuum. ■ Akuplokk on tööriista küljest lahti ühendatud. ■ Akuplokk on tühi. | <ul style="list-style-type: none"> ■ Eemaldage akuplokk ja kinnitage piire trimmeri külge. ■ Kasutage ainult kuni 2,0-millimeetrise diameetriga nailonist jõhvi. ■ Seisake trimmer, ühendage aku lahti ja eemaldage mootori võlli ja trimmeripea ümber kogunenud muru. ■ Tõstke trimmeri pea muru seest välja. Mootor hakkab uuesti tööle kohe, kui takistus on eemaldatud. Niitmise ajal liigutage trimmeri pead niidetava muru sisse ja sealt välja ning ärge lõigake korraga rohkem kui 20cm muru. ■ Jahutage akuplokki või trimmerit, kuni temperatuur langeb alla 67°C. ■ Paigaldage akuplokk tagasi. ■ Laadige akuplokk. |

ET

| PROBLEEM | PÕHJUS | LAHENDUS |
|---|---|---|
| Trimmeri pea ei anna lisajõhvi välja. | <ul style="list-style-type: none"> ■ Muru on ummistanud mootori võlli või trimmeri pea. ■ Pooli ümber pole piisavalt jõhvi. ■ Trimmeri pea on määrdunud. ■ Jõhv on pooli ümber sõlme läinud. ■ Jõhv on liiga lühike. | <ul style="list-style-type: none"> ■ Seisake trimmer, ühendage aku lahti ja eemaldage mootori võlli ja trimmeripea ümber kogunenud muru. ■ Eemaldage aku ja vahetage jõhv, järgides käesoleva juhendi alapunktis "JÕHVI VAHETAMINE" antud juhiseid. ■ Eemaldage aku ja puhastage pool ning pooli pesa ja alus. ■ Eemaldage aku ning kerige jõhv pooli pealt maha ja tagasi, järgides käesoleva juhendi alapunktis "JÕHVI VAHETAMINE" antud juhiseid. ■ Eemaldage aku ja tõmmake jõhvi, ning vajutage samaaegselt mitu korda lõikepea muhu peale. |
| Muru keerdub ümber trimmeri pea ja mootori korpuse. | <ul style="list-style-type: none"> ■ Kõrget muru lõigatakse maapinna lähedal. | <ul style="list-style-type: none"> ■ Alustage kõrge muru lõikamist ülevalt ja keerdumise vältimiseks eemaldage korraga kuni 20cm. |
| Jõhv ei lõika hästi. | <ul style="list-style-type: none"> ■ Piirde jõhvi lõikav äär on kulunud. | <ul style="list-style-type: none"> ■ Teritage jõhvi lõikavat äärt või vahetage see uue vastu. |

GARANTII

EGA GARANTIIPÕHIMÕTTED

Täielikud EGO garantiitingimused leiate veebilehelt egopowerplus.com.

ET

ПРОЧИТАЙТЕ ВСІ ІНСТРУКЦІЇ!



ПРОЧИТАЙТЕ ПОСІБНИК З ЕКСПЛУАТАЦІЇ

⚠ ПОПЕРЕДЖЕННЯ. Залишковий ризик!
Люди з електронними пристроями, наприклад кардіостимуляторами, повинні проконсультуватися зі своїм лікарем (лікарями) перед використанням цього виробу. Експлуатація електрообладнання в безпосередній близькості від кардіостимулятора може спричинити перешкоди або несправність кардіостимулятора.



Попередження щодо безпеки



Надягайте засоби захисту очей – працюючи з цим виробом, завжди носіть закриті захисні окуляри чи відкриті захисні окуляри з бічними щитками або повнопрофільну захисну маску.



Надягайте засоби захисту органів слуху – під час роботи з цим виробом завжди використовуйте засоби захисту органів слуху.



Надягайте засоби захисту голови – носіть схвалений захисний шолом для захисту голови.



Не встановлюйте кругові різальні леза.



Ширина – макс. ширина різання лісового тримера



Переконайтеся, що інші люди та домашні тварини залишаються на відстані принаймні 15 м від лісового тримера, коли він використовується.



Цей виріб відповідає чинним директивам ЄС.



Відходи електричних виробів не слід викидати разом із побутовим сміттям. Зверніться до авторизованого пункту переробки.

V Напруга

.../min На хвилину

kg Кілограм

СИМВОЛИ, ЩО СТОСУЮТЬСЯ БЕЗПЕКИ

⚠ ПОПЕРЕДЖЕННЯ. Використання будь-яких електроінструментів може призвести до потраплення сторонніх предметів в очі, що може спричинити серйозне пошкодження очей. Перед початком експлуатації електроінструмента завжди надягайте закриті захисні окуляри або відкриті захисні окуляри з бічними щитками та, якщо потрібно, повнопрофільну захисну маску. Ми рекомендуємо захисну маску широкого розміру для використання поверх окулярів або стандартні відкриті захисні окуляри з бічними щитками.



З метою зменшення ризику отримання травм користувач повинен прочитати посібник з експлуатації.



Надягайте захисне взуття – використовуючи таке обладнання, одягайте неслизьке захисне взуття.



Надягайте захисні рукавиці. – під час роботи з лезом і щитком леза одягайте рукавиці для захисту рук.



Остерігайтеся упору леза – попередьте оператора про небезпеку упору леза.



Діаметр – діаметр нейлонової ріжучої ліски



Відкинуті предмети можуть відкошетитися і призвести до травм або пошкоджень майна. Переконайтеся, що інші люди та домашні тварини залишаються на відстані від куцоріза, коли він використовується.



Не використовуйте цей пристрій у дощ і не залишайте його в дощ надворі.



цей продукт відповідає чинному законодавству Великобританії.



Гарантований рівень звукової потужності. Розповсюдження шуму в навколишнє середовище згідно з директивою Європейського співтовариства.

n_0 Швидкість холостого ходу-Обертובה швидкість без навантаження

⚡ Постійний струм

ТЕХНІЧНІ ХАРАКТЕРИСТИКИ

| | | |
|---|---|--|
| Напруга | 56 В --- | |
| Швидкість холостого ходу | Висока: 6500/хв. Низька: 5200/хв. | |
| Ріжучий механізм | УДАРНА ГОЛОВКА | |
| Тип ріжучої лиски | Ø2,0- міліметрова нейлонова вита ліска | |
| Ширина різання | 33 мм | |
| Діапазон рекомендованих робочих температур | 0°C–40°C | |
| Діапазон рекомендованих температур зберігання | -20°C–70°C | |
| Вага (без акумулятора) | 2.76 кг | |
| Вимірний рівень звукової потужності L_{WA} | 92,1 дБ(A) K=1,6 дБ(A) | |
| Максимальний рівень звукового тиску на місці вуха оператора L_{PA} | 72,6 дБ(A) K=2,5 дБ(A) | |
| Гарантований рівень звукової потужності L_{WA} (відповідно до 2000/14/EC) | 94 дБ(A) | |
| Оцінка вібрації a_h | Передня ручка | 3,3 м/с ² K=0,9 м/с ² |
| | Задня ручка | 1,9 м/с ² K=1,5 м/с ² |

- Вказане загальне значення вібрації виміряне за стандартним методом тестування і може використовуватися для порівняння одного інструмента з іншим.
- Заявлене сумарне значення вібрації може також використовуватися для попередньої оцінки впливу.

ПРИМІТКА. Емісія вібрації під час фактичного використання електроінструмента може відрізнятися від заявленої величини, у якій використовується інструмент. Щоб захистити оператора, користувач повинен вдягати рукавички та захисні навушники в реальних умовах використання.

СПИСОК ПРЕДМЕТІВ, ЩО ВХОДЯТЬ У КОМПЛЕКТ (Рис. А1)

ОПИС

ОЗНАЙОМЛЕННЯ З ЛІСКОВИМ ТРИМЕРОМ (рис. А1)

1. Тригер
2. Задня ручка
3. Важіль блокування
4. Перемикач регулювання швидкості
5. М'який рукав
6. Регульована передня допоміжна ручка
7. Головка тримера (ударна головка)
8. Ударна ручка
9. Лісковий ніж
10. Щиток
11. Механізм викидання
12. Електричні контакти
13. Засувка
14. Кнопка звільнення батареї

ЗБИРАННЯ

РОЗКЛАДАННЯ ВАЛА

▲ ПОПЕРЕДЖЕННЯ. Не тримайте вал у місцях з'єднання, щоб не затиснути руки або пальці.

▲ ПОПЕРЕДЖЕННЯ. Не намагайтеся запустити тример, доки вал не буде зафіксований. Акуратно розкладіть вал, щоб кабелі був усередині вала, і зафіксуйте його двома гвинтами за допомогою доданого гайкового ключа (рис. В1 і В2).

УСТАНОВЛЕННЯ ЩИТКА

Вирівняйте кріпильні отвори щитка з отворами для збірки, а потім зафіксуйте щиток на основі вала за допомогою двох гвинтів. Переконайтеся, що захисний щиток закріплений відповідно до рисунків С, будь-яке зворотне кріплення може призвести до великої небезпеки!

УСТАНОВЛЕННЯ ТА РЕГУЛЮВАННЯ ПЕРЕДНЬОЇ ДОПОМІЖНОЇ РУЧКИ

Насуньте передню допоміжну ручку на вал (рис. Е), потім вставте затискний блок у гніздо ручки (рис. F), закріпіть фіксувальну штангу та зафіксуйте гайкою-баранцем (рис. G). Послідовність показано на рис. D. Нарешті, відрегулюйте положення передньої допоміжної ручки, щоб передня ручка була розташована прямо під час використання тримера (рис. H), а потім зафіксуйте важіль фіксувальної штанги (рис. I).

Рис. D і H – див. опис деталей нижче:

UK

| | | | |
|-----|-------------------------|-----|-----------------------|
| D-1 | Передня допоміжна ручка | D-4 | Гайка-баранець |
| D-2 | Фіксувальна штанга | H-1 | М'який рукав |
| D-3 | Затискний блок | H-2 | Етикетка попередження |

ПРИМІТКА. Передня допоміжна ручка має бути повернена вгору та направлена на верхню частину ручки.

▲ ПОПЕРЕДЖЕННЯ. Зафіксуйте передню допоміжну ручку перед м'яким рукавом на валу.

▲ ПОПЕРЕДЖЕННЯ. Інструмент не можна використовувати без надійної фіксації передньої допоміжної ручки.

ЕКСПЛУАТАЦІЯ

▲ ПОПЕРЕДЖЕННЯ. Знання виробу не має робити вас небаланим. Пам'ятайте, що півсекунди неувважності досить для серйозної травми.

▲ ПОПЕРЕДЖЕННЯ. Завжди носіть засоби захисту органів зору із закисними щитками разом із засобами захисту органів слуху. Без окулярів ви ризикуєте травмами очей від викинутих предметів та іншими серйозними травмами.

▲ ПОПЕРЕДЖЕННЯ. Не використовуйте ніякі приладдя чи насадки, не рекомендовані виробником цього пристрою. Використання нерекomenдованого приладдя чи насадок може призвести до серйозних травм.

▲ ПОПЕРЕДЖЕННЯ. Використовуйте лісовий тример, обладнаний відповідною ріжучою ліскою, тільки для різання трави та аналогічного матеріалу.

Ви можете використовувати цей виріб для цілей, перелічених нижче:

Підрізання: використовується для видалення трави та бур'янів біля стін, парканів, дерев та бордюрів.

Зрізання: використовується для зрізання трави, яку важко дістати за допомогою звичайної косарки.

ПРИМІТКА. Цей інструмент має використовуватись тільки за призначенням. Будь-яке інше використання, наприклад підрізання країв, вважається випадком використання не за призначенням.

УСТАНОВЛЕННЯ І ВИДАЛЕННЯ АКУМУЛЯТОРА

Повністю зарядіть перед першим використанням.

170

56-ВОЛЬТНИЙ ЛІТІЙ-ІОННИЙ АКУМУЛЯТОРНИЙ ЛІСКОВИЙ ТРИМЕР — ST1300E-S

Використовуйте лише акумулятори та зарядні пристрої, перелічені на рис. A2.

Установлення

Вирівняйте виступи на акумуляторі з кріпильними отворами та натисніть на акумуляторну батарею, доки не почуєте «клацання» (рис. J).

Видалення

Натисніть кнопку звільнення акумулятора та витягніть акумуляторну батарею, як показано на рис. K.

ТРИМАННЯ ТРИМЕРА

▲ ПОПЕРЕДЖЕННЯ. Одягайтеся правильно, щоб зменшити ризик травми під час роботи з цим інструментом. Не носіть вільного одягу або прикрас. Одягайте захисні окуляри та навушники. Носіть міцні, довгі штани, взуття та рукавички. Не носіть шорти, сандалі, не працюйте босоніж.

Перед експлуатацією візьміть тример обома руками, однією рукою за задню ручку, а іншою за передню допоміжну ручку, яка має розташовуватися прямо (рис. L). Потім перевірте рівновагу і правильну відстань різання, оператор не повинен нагинатися.

ЗАПУСК/ЗУПИНКА ЛІСКОВОГО ТРИМЕРА

Початок

Натисніть важіль блокування та утримуйте його в такому положенні. Натисніть тригер, щоб увімкнути лісовий тример, як показано на рис. M.

Зупинка

Відпустіть важіль блокування та тригер.

▲ ПРИМІТКА. Мотор має дві швидкості різання. Положення «1» для нижчої швидкості та положення «2» для вищої швидкості, як показано на рис. M. Просто натисніть перемикач регулювання швидкості у відповідне положення під час різання.

Рис. M – див. опис деталей нижче:

| | |
|-----|-------------|
| M-1 | Положення 1 |
| M-2 | Положення 2 |

▲ ПОПЕРЕДЖЕННЯ. Завжди виймайте акумуляторну батарею з лісового тримера під час перерв у роботі та після закінчення роботи.

ВИКОРИСТАННЯ ЛІСКОВОГО ТРИМЕРА

⚠ ПОПЕРЕДЖЕННЯ. Щоб уникнути серйозних травм, завжди використовуйте закриті або відкриті захисні окуляри під час роботи з цим пристроєм. Одягайте маску для обличчя або пилову маску в місцях, де є пил.

Очищуйте ділянку підрізання перед кожним використанням. Видаліть усі предмети, такі як камені, бите скло, цвяхи, дроти або ліску, які можуть бути відкинуті або затягнуті в ріжуче обладнання. Приберіть із робочої області дітей, сторонніх і домашніх тварин. Принаймні тримайте всіх дітей, сторонніх спостерігачів і домашніх тварин на відстані не менше 15 м; проте для сторонніх спостерігачів усе одно може бути ризик від відкинутих предметів. Стороннім спостерігачам слід рекомендувати носити засоби захисту очей. Перед наближенням зупиніть мотор і ріжучий пристрій негайно.

Перед кожним використанням перевірте наявність пошкоджень/зношених деталей

Перевірте ударну головку, щиток і передню ручку, а також замініть частини, які тріснули, викривлені, зігнуті або будь-яким чином пошкоджені.

Ріжучий лісковий ніж на краю щитка може затупитися з часом. Рекомендується періодично заточувати його за допомогою напилка або замінити його на нове лезо.

⚠ ПОПЕРЕДЖЕННЯ. Завжди слід носити рукавички під час кріплення щитка або заточування чи заміни леза. Остерігайтеся леза на щитку та захистіть руку від травм.

Після кожного використання очистьте тример.

⚠ ОБЕРЕЖНО. Засмічення вентиляційних отворів перешкоджає проникненню повітря в корпус мотора і може призвести до перегріву або пошкодження мотора.

- Чистьте тільки м'яким милом і вологою ганчіркою. Ніколи не допускайте потрапляння рідини всередину інструмента; ніколи не занурюйте будь-яку частину інструмента в рідину.
- Завжди оберегайте вентиляційні отвори в корпусі мотора від сміття.

⚠ ПОПЕРЕДЖЕННЯ. Ніколи не використовуйте воду для очищення тримера. Не застосовуйте розчинники, коли чистите пластмасові деталі. Більшість пластмас чутливі до пошкоджень різноманітними промисловими розчинниками. Для видалення бруду, пилу, мастила тощо користуйтеся чистою ганчіркою.

РЕГУЛЮВАННЯ ДОВЖИНИ РІЖУЧОЇ ЛІСКИ.

Ударна головка дає оператору змогу випускати більше ріжучої ліски, не зупиняючи мотор. Коли

ліска стирається або зношується, можна випустити додаткову ліску, злегка вдаривши ударну ручку об землю під час роботи з тримером (рис. N).

ПРИМІТКА. Випуск ліски стане складнішим, коли ріжуча ліска стане коротшою.

⚠ ПОПЕРЕДЖЕННЯ. Не видаляйте та не змінюйте ріжуче лезо в зборі. Надмірна довжина ліски призведе до перегріву мотора та може спричинити серйозні травми.

ЗАМІНА ЛІСКИ

ПРИМІТКА. Завжди використовуйте рекомендовану нейлонову ріжучу ліску з діаметром, що не перевищує 2,0 мм. Використання іншої ліски, відмінної від указаної, може спричинити перегрівання куцоріза або його пошкодження.

⚠ ПОПЕРЕДЖЕННЯ. Ніколи не використовуйте металеву ліску, дріт або канат тощо. Вони можуть зламатись і стати небезпечними снарядами.

Існує два способи заміни ріжучої ліски:

1. Намотайте на котушку нову ліску.
2. Установіть котушку з попередньо намотаною ліскою (AS1302, якщо необхідно, можна придбати в дилера).

Намотування нової ліски на котушку

Натисніть на два фіксатори на основі котушки та витягніть тримач котушки (рис. O). Візьміть приблизно 5 м ріжучої ліски діаметром 2,0 мм. Складіть і намотайте її на котушку, як показано на рис. P і Q. Потім проведіть кінці ліски через дві протилежні виймки на котушці (рис. R) і помістіть котушку у фіксатор, вирівнявши виймки з вушками на фіксаторі (рис. T). Нарешті, вирівняйте пази фіксатора з виступами на основі котушки та рівномірно натисніть на фіксатор, щоб він зафіксувався на місці (рис. S).

ПРИМІТКА. Завжди очищайте фіксатор котушки, котушку та основу котушки, перш ніж знову зібрати тримерну головку. Перевірте фіксатор котушки, котушку та основу котушки на предмет зносу. За необхідності замініть зношені частини.

ПРИМІТКА. Якщо не намотати ліску у вказаному напрямку, головка тримера працюватиме неправильно.

Установлення котушки з попередньо намотаною ліскою

Натисніть на два фіксатори на основі котушки та витягніть тримач котушки (рис. O). Потім установіть котушку з попередньо намотаною ліскою у фіксатор, вирівнявши вирізи з вушками на фіксаторі (рис. T). Нарешті, вирівняйте пази фіксатора з виступами на основі котушки та рівномірно натисніть на фіксатор, щоб він зафіксувався на місці (рис. S).

Рис. S & T – див. опис деталей нижче:

| | | | |
|-----|--------|-----|-------|
| S-1 | Виступ | T-1 | Виріз |
| S-2 | Паз | T-2 | Вушко |

ПРИМІТКА. Переконайтеся, що виступи на основі катушки зафіксувалися на місці, інакше катушка вилетить під час роботи.

ТЕХНІЧНЕ ОБСЛУГОВУВАННЯ

⚠ ПОПЕРЕДЖЕННЯ. Використовуйте для технічного обслуговування лише ідентичні запчастини. Регулярно оглядайте інструмент і виконуйте його обслуговування. Для гарантування безпеки та надійності всі ремонтні роботи повинен проводити кваліфікований технічний спеціаліст.

⚠ ПОПЕРЕДЖЕННЯ. Акумуляторні інструменти не потрібно підключати до електричної розетки; отже, вони завжди в робочому стані. Щоб запобігти серйозному травмуванню, вживайте додаткових заходів та будьте обережні під час технічного обслуговування або зміни різального обладнання чи інших пристосувань.

⚠ ПОПЕРЕДЖЕННЯ. Щоб запобігти серйозним травмам, вийміть акумуляторну батарею з інструмента перед обслуговуванням, очищенням, заміною додаткових насадок або видаленням матеріалу з пристрою.

ОЧИЩЕННЯ ПРИЛАДУ

- Очистьте прилад вологою ганчіркою з м'яким миючим засобом.
- Не використовуйте сильні миючі засоби на пластиковому корпусі або ручці. Вони можуть бути пошкоджені деякими ароматичними маслами, наприклад хвойним і лимонним, а також розчинниками, такими як гас. Вологість також може становити небезпеку удару. Обережно протріть вологу м'якою сухою тканиною.
- Використовуйте невелику щітку або невеликий пилосос із виводом повітря для очищення вентиляційних отворів ззаду на корпусі.

ЗБЕРІГАННЯ ПРИЛАДУ

- Витягніть акумуляторну батарею з тримера, коли він не використовується.
- Перед зберіганням інструмент необхідно ретельно очистити.

- Зберігайте пристрій у сухому, добре вентильованому, закритому або високо розташованому недоступному для дітей місці. Не зберігайте пристрій біля мінеральних добрив, бензину та інших хімікатів.

Захист довкілля



Не викидайте електричне обладнання, акумулятор і зарядний пристрій у побутові відходи! Віднесіть цей виріб авторизованому переробнику й надайте його для роздільного збирання. Електроінструменти необхідно повернути в підприємство, що займається екологічно безпечною переробкою.

УСУНЕННЯ НЕСПРАВНОСТЕЙ

| НЕСПРАВНІСТЬ | ПРИЧИНА | ВИРІШЕННЯ |
|---|---|--|
| Лісовий тример не запускається. | <ul style="list-style-type: none"> ■ Акумуляторна батарея не приєднана до лісового тримера. ■ Немає електричного контакту між тримером і батареєю. ■ Акумуляторна батарея розряджена. ■ Важіль блокування та тригер не натиснуто одночасно. | <ul style="list-style-type: none"> ■ Під'єднайте акумулятор до лісового тримера. ■ Вийміть акумулятор, перевірте контакти та знову встановіть акумулятор. ■ Зарядіть акумуляторну батарею. ■ Натисніть важіль блокування та утримуйте його, а потім натисніть на тригер, щоб увімкнути лісовий тример. |
| Лісовий тример зупиняється під час різання. | <ul style="list-style-type: none"> ■ Щиток не встановлено на тример, у результаті чого ріжуча ліска надмірно довга і мотор перевантажено. ■ Використовується важка ріжуча ліска. ■ У валі мотора або головці тримера застрягла трава. ■ Мотор перевантажено. ■ Акумулятор або лісовий тример надто гарячі. ■ Акумулятор від'єднано від інструмента. ■ Акумуляторна батарея розряджена. | <ul style="list-style-type: none"> ■ Вийміть акумуляторну батарею та встановіть щиток на тример. ■ Використовуйте стандартну нейлонову ріжучу ліску з діаметром не більше 2,0 мм. ■ Зупиніть тример, вийміть акумулятор і витягніть траву з вала мотора та головки тримера. ■ Заберіть головку тримера з трави. Мотор відновить роботу, щойно навантаження буде усунуто. Під час різання переміщайте тримерну головку в траву і з неї, і прибирайте не більше 20 см довжини за одне різання. ■ Дайте акумуляторній батареї або тримеру охолонути, доки температура не опуститься нижче 67 °С. ■ Знову встановіть акумуляторну батарею. ■ Зарядіть акумуляторну батарею. |

UK

| НЕСПРАВНІСТЬ | ПРИЧИНА | ВИРІШЕННЯ |
|---|--|---|
| Тримерна головка не просуває ліску. | <ul style="list-style-type: none"> ■ У валі мотора або головці тримера застрягла трава. ■ На катушці бракує ліски. ■ Тримерна головка брудна. ■ Ліска заплуталася в катушці. ■ Ліска занадто коротка. | <ul style="list-style-type: none"> ■ Зупиніть тример, вийміть акумулятор і витягніть траву з вала мотора та головки тримера. ■ Вийміть акумулятор і замініть ріжучу ліску; дотримуйтеся вказівок у розділі «ЗАМІНА ЛІСКИ» в цьому посібнику. ■ Вийміть акумулятор і очистьте тримач катушки та основу катушки. ■ Зніміть акумулятор, витягніть ліску з катушки та перемотайте; дотримуйтеся вказівок у розділі «ЗАМІНА ЛІСКИ» в цьому посібнику. ■ Вийміть акумулятор і витягніть ліску, поперемінно натискаючи та відпускаючи ударну ручку. |
| Трава намоталася на головку тримера та корпус мотора. | <ul style="list-style-type: none"> ■ Різання високої трави на рівні землі. | <ul style="list-style-type: none"> ■ Вирізайте високу траву згори вниз, видаляючи не більше 20 см за кожен прохід, щоб запобігти намотуванню. |
| Ліска добре не ріже. | <ul style="list-style-type: none"> ■ Ріжучий лісковий ніж на краю щитка затупився. | <ul style="list-style-type: none"> ■ Заточіть лісковий ніж напилком або замініть на новий ніж. |

ГАРАНТІЯ

ПРАВИЛА ГАРАНТІЇ EGO

Будь ласка, відвідайте веб-сайт egopowerplus.com для отримання повних умов гарантійної політики EGO.

UK

ПРОЧЕТЕТЕ ВСИЧКИ ИНСТРУКЦИИ)



ПРОЧЕТЕТЕ РЪКОВОДСТВОТО НА ОПЕРАТОРА

⚠ ПРЕДУПРЕЖДЕНИЕ: Остатъчен риск! Хора с електронни устройства, като пейсмейкър трябва да се консултират с лекуващия(те) си лекар(и) преди употреба на този продукт. Работата с електрическо оборудване в непосредствена близост до сърдечен пейсмейкър може да предизвика смущение или неизправност на пейсмейкъра.



Сигнал за безопасност



Носете защита за очите - Винаги носете предпазни очила със странична защита и предпазен екран за цялото лице, когато работите с този продукт.



Носете защита за слуха - Винаги носете защита за слуха, когато работите с този продукт



Носете защита за главата - Носете одобрена предпазна каска с твърдо бомбе за да предпазите главата.



Не монтирайте кръгли режещи ножове.



Ширина - Максималната режеща ширина на кордов тример



Уверете се, че други хора и домашни любимци спазват поне 15 м разстояние от тримера, когато го използвате.



Този продукт е в съответствие с приложените директиви на ЕС.



Отпадъчните електрически продукти не трябва да бъдат изхвърляни заедно с домакинския отпадък. Отнесете го до упълномощено място за рециклиране.

V Напрежение

.../min на минута

kg Килограм

СИМВОЛИ ЗА БЕЗОПАСНОСТ



⚠ ПРЕДУПРЕЖДЕНИЕ: Експлоатацията на всички електрически инструменти, може да доведе до изхвърляне на чужди предмети към вашите очи, което може да доведе до сериозно нараняване на очите. Преди започване на работа с електрически инструмент, винаги носете предпазни очила със странична защита и визьор за цялото лице, когато е необходимо. Ние препоръчваме предпазна маска с широк визьор за употреба над очила или стандартни предпазни очила със странична защита.



За намаляване на опасността от нараняване, потребителят трябва да прочете ръководството на оператора.



Носете предпазни ръкавици - Носете неплъзгащи се обувки за безопасност, когато използвате това оборудване.



Носете защитни ръкавици - Защитете ръцете си с ръкавици, когато боравите с ножа или предпазителя на ножа.



Пазете се от тласкане на ножа - Предупредете оператора за опасност от тласкане на ножа.



Диаметър - Диаметър на найлонова режеща корда



Изхвърлените обекти могат да рикошират и да доведат до нараняване или щети по собствеността. Уверете се, че други хора и домашни любимци спазват достатъчно разстояние от хростореза, когато го използвате.



Не използвайте в дъжд или не го оставяйте навън, когато вали.



Този продукт е в съответствие с приложеното законодателство на Великобритания.



Гарантирано ниво на мощност на звука. Звуковите емисии към околната среда са в съответствие с директивите на европейската общност.

n_0

Скорост без натоварване-Скорост на въртене без товар



Постоянен ток

BG

СПЕЦИФИКАЦИИ

| | | |
|--|---|--|
| Напрежение | 56 V $\overline{\text{---}}$ | |
| Скорост без натоварване | Високи: 6500/min Ниски: 5200/min | |
| Механизъм за рязане | УДАРНА ГЛАВА | |
| Вид режеща корда | 2,0 м найлонова усукана корда | |
| Ширина на рязане | 33 см | |
| Препоръчителна работна температура | 0°C-40°C | |
| Препоръчителна температура на съхранение | -20°C-70°C | |
| Тегло (без акумулаторна батерия) | 2,76кг | |
| Измерено ниво на сила на звука L_{WA} | 92,1 dB(A) K=1,6 dB(A) | |
| Макс. ниво на звуково налягане при ухото на оператора L_{PA} | 72,6 dB(A) K=2,5 dB(A) | |
| Гарантирано ниво на сила на звука L_{WA} (съгласно 2000/14/ЕС) | 94 dB(A) | |
| Оценка на вибрации v_{h1} | Предна ръкохватка | 3,3 m/s ² K=0,9 m/s ² |
| | Задна ръкохватка | 1,9 m/s ² K=1,5 m/s ² |

- Декларираният общ размер на вибрации е измерен в съответствие със стандартния метод за тест и може да бъде използван за сравнение между два инструмента;
- Декларираният общ размер на вибрации може също така да бъде използван за предварителна оценка на влиянието.

БЕЛЕЖКА: Вибрационните емисии по време на действителната употреба на електрическия инструмент може да се различава от декларираната стойност. С цел да се защити оператора, потребителят трябва да носи ръкавици и антифони в действителни условия на работа.

BG

ОПАКОВЪЧЕН ЛИСТ (Фиг. А1)

ОПИСАНИЕ

ЗАПОЗНАЙТЕ СЕ С ВАШИЯ КОРДОВ ТРИМЕР (Фиг. А1)

1. Спусък

2. Задна ръкохватка
3. Лост за отключване
4. Ключ за регулиране на скоростта
5. Мек ръкав
6. Регулируема предна спомагателна ръкохватка
7. Тримерна глава (ударна глава)
8. Бутон за отпускане на корда
9. Режещ нож за кордата
10. Предпазител
11. Механизъм за изваждане
12. Електрически контакти
13. Резе
14. Бутон за освобождаване на батерията

МОНТАЖ

РАЗГЪВАНЕ НА ВАЛА

▲ ПРЕДУПРЕЖДЕНИЕ: Не дръжте вала за съединенията, за да избегнете прищипване на своите ръце или пръсти.

▲ ПРЕДУПРЕЖДЕНИЕ: Не се опитвайте да стартирате тримера, докато валът е блокиран. Разгънете вала внимателно като се уверите, че кабелът е във вала и го фиксирайте с два винта с доставения гаечен ключ (Фиг. В1 и В2).

МОНТАЖ НА ПРЕДПАЗИТЕЛЯ

Подравнете монтажните отвори на предпазителя с отворите за монтажния механизъм и след това захванете предпазителя в основата на щангата с двата винта. Уверете се, че предпазителят е закрепен съгласно фиг. С, всяко закрепване на обратно ще причини голяма опасност!

МОНТИРАНЕ И РЕГУЛИРАНЕ НА ПРЕДНАТА СПОМАГАТЕЛНА РЪКОХВАТКА

Избутайте предната спомагателна ръкохватка в щангата (фиг. Е), след това поставете затягащия блок в отвора на ръкохватката (фиг. F), монтирайте заключването на пръта и заключете с крилатия винт (фиг. G). Последователността е както показва фиг. D. Накрая регулирайте позицията на предната спомагателна ръкохватка, за да сте сигурни, че вашата предна ръка е права, когато използвате тримера (фиг. H) и след това заключете рамото на заключването на пръта (фиг. I).

За описание на частите на Фиг. D и H вижте долу:

| | | | |
|-----|----------------------------------|-----|-------------------------|
| D-1 | Предната спомагателна ръкохватка | D-4 | Крилат винт |
| D-2 | Заклучване на пръта | H-1 | Мек ръкав |
| D-3 | Затягащ блок | H-2 | Етикет с предупреждения |

БЕЛЕЖКА: Горната спомагателна ръкохватка трябва да бъде завъртяна нагоре за да сочи към върха на задната ръкохватка.

⚠ ПРЕДУПРЕЖДЕНИЕ: Закрепете предната спомагателна ръкохватка единствено пред мекия ръкав на щангата.

⚠ ПРЕДУПРЕЖДЕНИЕ: Инструментът не може да бъде използван без надеждно монтирана предна спомагателна ръкохватка.

ЕКСПЛОАТАЦИЯ

⚠ ПРЕДУПРЕЖДЕНИЕ: Не позволявайте рутината с този продукт да ви направи непредазливи. Запомнете, че невниманието за малка част от секундата е достатъчно за да нанесе сериозно нараняване.

⚠ ПРЕДУПРЕЖДЕНИЕ: Винаги носете защита за очите със странични предпазни екрани. Заедно със защита за слуха. Ако не го направите може да доведе до изхвърляне на предмети към очите ви и други възможни сериозни наранявания.

⚠ ПРЕДУПРЕЖДЕНИЕ: Не използвайте други приставки или аксесоари, които не са препоръчани от производителя на този продукт. Употребата на приставки или аксесоари, които не са препоръчани, може да доведе до сериозно нараняване.

⚠ ПРЕДУПРЕЖДЕНИЕ: Използвайте вашия кордов тример, оборудван с подходяща корда, единствено за рязане на трева и подобни материали.

Може да използвате този продукт за целите описани долу:

Подкастриране: използва се за да се премахне тревата и плевелите до стени, огради, дървета и лехи.

Рязане: използва се за рязане на трева, която е трудно достъпна използвайки нормална косачка.

БЕЛЕЖКА: Инструментът трябва да бъде използван само за предназначенията цели. Всяка друга употреба, примерно подрязване на ръбове се смята за случай на злоупотреба.

МОНТИРАНЕ/ИЗВАЖДАНЕ НА АКУМУЛАТОРНАТА БАТЕРИЯ

Заредете напълно преди първата употреба.

Използвайте само с акумулаторни батерии и зарядни устройства изброени на фиг. A2.

за да закрепите

Подравнете ребрата на батерията с монтажните жлеbove и натиснете батерията надолу, докато чуете "клик" (фиг. J).

за да извадите

Натиснете бутона за освобождаване на батерията и издърпайте акумулаторната батерия навън, както е показано на фиг. K.

ХВАЩАНЕ НА КОРДОВИЯ ТРИМЕР

⚠ ПРЕДУПРЕЖДЕНИЕ: Облечете се правилно за да намалите риска от нараняване, когато работите с този инструмент. Не носете отпуснати дрехи или бижута. Носете защита за очите и защита за очите/слуха. Носете дълги панталони, ботуши и ръкавици за тежка употреба. Не носете къси панталони или сандали или не ходете бос.

Преди започване на работа дръжте тримера с двете си ръце, една ръка на задната ръкохватка и друга, която трябва да бъде изправена на предната спомагателна ръкохватка (фиг. L). След това проверете за стабилна позиция на краката и правилно разстояние за рязане без да се навежда оператора.

СТАРТИРАНЕ/СПИРАНЕ НА КОРДОВИЯ ТРИМЕР

За да стартирате

Натиснете лоста за отключване и го задръжте в тази позиция. Натиснете спусъка за да включите кордовия тример, както показва фиг. M.

За да спрете

Освободете лоста за отключване и спусъка.

⚠ БЕЛЕЖКА: Моторът има две скорости за рязане, Позиция "1" за ниска скорост и Позиция "2" за висока скорост, както е показано на фиг. M. Просто бутнете ключа за регулиране на скоростта на подходящата позиция по време на рязане.

Фиг. M описание на части виж долу:

| | |
|-----|-----------|
| M-1 | Позиция 1 |
| M-2 | Позиция 2 |

⚠ ПРЕДУПРЕЖДЕНИЕ: Винаги изваждайте акумулаторната батерия от тримера по време на работни прекъсвания и след завършване на работата.

ИЗПОЛЗВАНЕ НА КОРДОВИЯ ТРИМЕР

▲ ПРЕДУПРЕЖДЕНИЕ: За да избегнете сериозно нараняване, носете предпазни очила по всяко време, когато работите с този уред. Носете маска за лице или прахова маска при запрашени места.

Почистете зоната, която трябва да бъде подрязана преди всяка употреба. Почистете всички обекти, като камъни, счупени стъкла, пирони, кабели или въжета, които могат да бъдат изхвърлени или да се оплетат в приставката за рязане. Изчистете зоната от деца, околни хора или домашни любимци. Като минимум дръжте всички деца, околни хора и домашни любимци минимум на 15 м разстояние, въпреки това пак може да съществува риск за околните от изхвърлени обекти. Околните наблюдатели трябва да бъдат насърчени да носят защита за очите. Ако бъдете приближен от човек спрете незабавно мотора и приставката за рязане.

Преди всяка употреба проверявайте за повредени/износени части

Проверете ударната глава, предпазителя и предната спомагателна ръкохватка и подменете всички части, които са напукани, деформирани, изкривени или повредени по някакъв начин.

Режещият нож за кордата на ръба на предпазителя може да се изтъпи в течение на времето. Препоръчва се периодично да го заточавате с пила или да го подмените с нов нож.

▲ ПРЕДУПРЕЖДЕНИЕ: Винаги носете ръкавици, когато монтирате предпазителя или заточвате или подмените ножа. Пазете се от ножа на предпазителя и защитете вашата ръка от нарязване.

След всяка употреба почистете тримера.

▲ ВНИМАНИЕ: Запушвания на вентилационните отвори ще предотвратят навлизане на въздух във корпуса на мотора и ще доведат до прегряване или повреда на мотора.

- Използвайте единствено мек сапун и влажна кърпа за да почистите инструмента. Никога не позволявайте каквато и да е течност да навлезе вътре в инструмента, никога не потапяйте някоя част от инструмента във вода.
- По всяко време пазете вентилационните отвори в корпуса на мотора от отпадъци.

▲ ПРЕДУПРЕЖДЕНИЕ: Никога не използвайте вода за почистване на тримера. Избягвайте употребата на разтворители, когато почиствате пластмасовите

части. Повечето пластмаси са податливи на повреди от различни видове разтворители, предлагани в търговската мрежа. Използвайте чист плат, за премахване на мръсотия, прах, масло и т.н.

РЕГУЛИРАНЕ НА ДЪЛЖИНАТА НА РЕЖЕЩАТА КОРДА

Ударната глава на тримера позволява на оператора да отпусне повече режеща корда без да спира мотора. Когато кордата стане разкъсана или износена, може да бъде отпусната допълнителна корда чрез леко потупване в земята на бутона за отпускане на корда, докато работите с тримера (фиг. N).

БЕЛЕЖКА: Освобождаването на корда ще стане по трудно, с намаляването на кордата.

▲ ПРЕДУПРЕЖДЕНИЕ: Не премахвайте или променяйте устройството на режещия нож за кордата. Прекалената дължина на кордата ще причини прегряване на мотора и може да доведе до сериозно нараняване.

ПОДМЯНА НА КОРДАТА

БЕЛЕЖКА: Винаги използвайте препоръчителната найлонова режеща корда, с диаметър не надвишаващ 2,0 мм. Използване на корда различна от посочената може да причини прегряване или повреда на тримера.

▲ ПРЕДУПРЕЖДЕНИЕ: Никога не използвайте метално подсилена корда, жица, въже и др. Те могат да се счупят и да станат опасни летящи предмети.

Има два метода за подмяна на режещата корда:

1. Навийте нова корда на макарата.
2. Монтирайте предварително навит макар (AS1302, при необходимост, налични при търговеца).

Навийте нова корда на макарата.

Натиснете двата бутона за освобождаване на основата на макарата и издърпайте навън фиксатора на макарата (фиг. O). Извадете приблизително 5 м от режеща корда с диаметър 2,0 мм. Сгънете и навийте в макарата, както показва фиг. P & Q. След това поставете краищата на кордата през двата противоположни жлеба на макарата (фиг. R) и поставете макарата във фиксатора, като жлебовете са подравнени с ушите на фиксатора (фиг. T). Накрая подравнете слотовете на фиксатора с шифтовете на основата на макарата и натиснете фиксатора равномерно надолу, като се уверите, че ще влезе на местото си (фиг. S).

БЕЛЕЖКА: Винаги чистете фиксатора, макарата и основата преди сглобяване на главата на тримера. Проверете фиксатора, макарата и основата за износване. Ако е необходимо подменете износените части.

БЕЛЕЖКА: Неспазването за навиване на кордата в посочената посока ще причини неправилна работа на главата на тримера.

Монтиране на предварително навита макара.

Натиснете двата бутона за освобождаване на основата на макарата и издърпайте навън фиксатора на макарата (фиг. O). След това поставете предварително навитата макара във фиксатора, като жлебовете са подравнени в ушите на фиксатора (фиг. T). Накрая подравнете слотовете на фиксатора с щифтовете на основата на макарата и натиснете фиксатора равномерно надолу, като се уверите, че ще влезе на местото си (фиг. S).

Фиг. S & T описание на части виж долу:

| | | | |
|-----|------|-----|------|
| S-1 | Щифт | T-1 | Жлеб |
| S-2 | Слот | T-2 | Ухо |

БЕЛЕЖКА: Уверете се, че щифтовете в основата на макарата влизат на местото си или макарата ще излезе по време на работа.

ПОДДРЪЖКА

⚠ ПРЕДУПРЕЖДЕНИЕ: Когато обслужвате, използвайте само идентични резервни части. Проверявайте и поддържайте машината редовно. За да осигурите безопасността и надеждността, всички поправки трябва да се извършват от квалифициран сервизен техник.

⚠ ПРЕДУПРЕЖДЕНИЕ: Инструментите с батерия не трябва да бъдат закачени към електрически контакт, поради това те винаги са в работно състояние. За да предотвратите сериозно нараняване вземете допълнителни предпазни мерки и грижи, когато извършвате поддръжка, обслужване или при смяна на режещите или други приставки.

⚠ ПРЕДУПРЕЖДЕНИЕ: За да предотвратите сериозно нараняване, извадете акумулаторната батерия от инструмента, преди обслужване, почистване, смяна на приставките или изваждане на материал от устройството.

ПОЧИСТВАНЕ НА УРЕДА

- Почистете уреда използвайки влажна кърпа и мек почистващ препарат.
- Не използвайте силен почистващ препарат по пластмасата на корпуса или ръкохватката. Те могат да бъдат повредени от определени ароматни масла като бор и лимон и от разтворители като керосин. Влагата също може да причини токов удар. Избършете всякаква влага със суха мека кърпа.
- Използвайте малка четка или изпусканата въздушна струя от малка четка на прахосмукачка за да почистите, вентилационните отвори в задната страна на корпуса.

СЪХРАНЯВАНЕ НА УРЕДА

- Извадете акумулаторната батерия от кордовия тример, когато не е в употреба.
- Почистете изцяло инструмента преди да го съхраните.
- Съхранете уреда в сухо място с добра вентилация, заключен или съхраняван на високо извън достъпа на деца. Не съхранявайте уреда в близост или върху тор, бензин или други химикали.

Опазване на околната среда



Не изхвърляйте електрическо оборудване, използвана батерия или зарядно устройство в домакинския отпадък! Отнесете продукта до упълномощена фирма за рециклиране и го предоставете за разделно събиране. Електрическите инструменти трябва да бъдат връщани в съоръжения за рециклиране съвместими с околната среда.

ОТСТРАНЯВАНЕ НА НЕИЗПРАВНОСТИ

| ПРОБЛЕМ | ПРИЧИНА | РЕШЕНИЕ |
|--|---|--|
| Кордовият тример не може да стартира. | <ul style="list-style-type: none"> ■ Акумулаторната батерия не е прикрепена към кордовия тример. ■ Няма електрически контакт между тримера и батерията. ■ Акумулаторната батерия е изтощена. ■ Лостът за отключване и спусъкът не са натиснати едновременно. | <ul style="list-style-type: none"> ■ Закрепете акумулаторната батерия към кордовия тример. ■ Извадете батерията, проверете контактите и поставете наново акумулаторната батерия. ■ Сменете акумулаторната батерия. ■ Натиснете и задръжте лоста за отключване и след това натиснете спусъка за да включите тримера. |
| Кордовият тример спира по време на рязане. | <ul style="list-style-type: none"> ■ Предпазителят не е монтиран на тримера, което води до прекалено дълга режеща корда и прегряване на мотора. ■ Използвана е тежка корда за рязане. ■ Валът на мотора и тримерната глава са обвити в трева. ■ Моторът е претоварен. ■ Акумулаторната батерия или кордовият тример са твърде горещи. ■ Акумулаторната батерия е разединена от инструмента. ■ Акумулаторната батерия е изтощена. | <ul style="list-style-type: none"> ■ Извадете акумулаторната батерия и монтирайте предпазителя на тримера. ■ Използвайте стандартна найлонова режеща корда с диаметър не по-голям от 2,0 мм. ■ Спрете тримера, извадете батерията и извадете тревата от вала на мотора и тримерната глава. ■ Извадете тримерната глава от тревата. Моторът ще се възстанови за работа веднага след като товарът бъде отстранен. Когато режете изваждайте и вкарвайте тримерната глава в тревата, която трябва да бъде отрязана и отстранявайте не повече от 20 см дължина на единично рязане. ■ Позволете на акумулаторната батерия или тримера да се охлади, докато температурата спадне под 67°С. ■ Монтирайте отново акумулаторната батерия. ■ Сменете акумулаторната батерия. |

| ПРОБЛЕМ | ПРИЧИНА | РЕШЕНИЕ |
|---|---|--|
| ГЛАВАТА НА ТРИМЕРА НЕ ИЗДЪРПВА КОРДАТА. | <ul style="list-style-type: none"> ■ Валът на мотора и тримерната глава са обвити в трева. ■ Няма достатъчно корда на макарата. ■ Главата на тримера е замърсена. ■ Кордата е заплетена в макарата. ■ Кордата е твърде къса. | <ul style="list-style-type: none"> ■ Спрете тримера, извадете батерията и извадете тревата от вала на мотора и тримерната глава. ■ Отстранете батерията и подменете кордата за рязане, следвайте раздел "ПОДМЯНА НА КОРДАТА" в това ръководство. ■ Отстранете батерията и почистете макарата, фиксатора на макарата и основа на макарата. ■ Извадете батерията, извадете кордата от фиксатора и превъртете, следвайте раздел "ПОДМЯНА НА КОРДАТА" в това ръководство. ■ Извадете батерията и издърпайте кордите, като последователно натиснете и освободите бутона за отпускане на кордата. |
| Тревата обгръща главата на тримера и корпуса на мотора. | <ul style="list-style-type: none"> ■ Рязане на висока трева при нивото на земята. | <ul style="list-style-type: none"> ■ Режете висока трева от горе на долу, като не отстранявате повече от 20 см при всяко преминаване за да предотвратите увиване |
| Кордата не реже добре. | <ul style="list-style-type: none"> ■ Режещият нож за кордата на ръба на предпазителя се е затъпил. | <ul style="list-style-type: none"> ■ Заточете режещия нож за кордата с пила или го подменете с нов. |

ГАРАНЦИЯ

ГАРАНЦИОННА ПОЛИТИКА EGO

Моля посетете уебсайта egopowerplus.com за пълните условия по гаранционната политика на EGO.

PROČITAJTE UPUTE U CIJELOSTI!



PROČITAJTE PRIRUČNIK ZA RUKOVATELJE.

⚠ UPOZORENJE: Preostale opasnosti! Osobe s elektroničkim uređajima poput srčanih elektrostimulatora prije uporabe ovog proizvoda trebaju se posavjetovati sa svojim liječnikom. Rad električne opreme u neposrednoj blizini srčanih elektrostimulatora može prouzročiti smetnju ili kvar srčanog elektrostimulatora



Sigurnosno upozorenje



Nosite zaštitu za oči. - uvijek nosite zatvorene zaštitne naočale ili zaštitne naočale s bočnim štitnicima i štitnik za cijelo lice kada rukujete ovim proizvodom.



Nosite zaštitu za sluh. - nosite zaštitu za sluh kada koristite ovaj proizvod.



Nosite zaštitu za glavu. - radi zaštite glave nosite odobrenu sigurnosnu kacigu.



Ne postavljajte okrugle rezne noževe.



Širina - maksimalna širina rezanja šišača trave s reznom niti



Pobrinite se da druge osobe i kućni ljubimci ostanu najmanje 15 m udaljeni od šišača trave s reznom niti kada je u uporabi.



Ovaj proizvod je u skladu s važećim direktivama EU.



Otpadni električni proizvodi ne smiju se odlagati s otpadom iz kućanstva. Odnosite ih u ovlašteni centar za reciklažu.

HR

V Napon

.../min U minuti

kg Kilogram

SIGURNOSNI SIMBOLI

⚠ UPOZORENJE: Rukovanje električnim alatima može rezultirati odbacivanjem stranih predmeta u oči što opet može izazvati teška oštećenja očiju. Prije početka rukovanja električnim alatom nosite zatvorene zaštitne naočale ili zaštitne naočale s bočnim štitnicima, a prema potrebi i štitnik za cijelo lice. Preporučujemo nošenje sigurnosne maske proizvođača Wide Vision preko naočala, ili nošenje standardnih zaštitnih naočala s bočnim štitnicima.



Pročitajte priručnik za rukovatelje radi smanjenja opasnosti od ozljeda.



Nosite sigurnosnu obuću. - nosite nekizajuću sigurnosnu obuću kada koristite ovu opremu.



Nosite zaštitne rukavice. - zaštitite ruke rukavicama kada rukujete nožem ili štitnikom noža.



Čuvajte se povratnog udara noža. - upozorite rukovatelja na opasnost od povratnog udara noža.



Promjer - promjer najlonske rezne niti



Odbačeni predmeti mogu odskočiti i rezultirati tjelesnim ozljedama ili materijalnom štetom. Pobrinite se da druge osobe i kućni ljubimci ostanu podalje od obrezaivača grmlja kada je u uporabi.



Proizvod ne upotrebljavajte na kiši i ne ostavljajte ga na otvorenom kad pada kiša.



ovaj proizvod sukladan je važećim zakonima u UK.



Zajamčena razina zvučne snage. Emisija buke u okruženju u skladu je sa smjernicama Europske unije.

n_0 Brzina bez opterećenja-Brzina vrtnje u praznom hodu

Istosmjerna struja

TEHNIČKI PODACI

| | | |
|---|---|--|
| Napon | 56 V | |
| Brzina bez opterećenja | Visoko: 6500/ min Nisko: 5200/ min | |
| Rezni mehanizam | Rezna glava | |
| Tip rezne žinje | Najlonska rezna nit 2,0mm | |
| Širina rezanja | 33cm | |
| Preporučena radna temperatura | 0 °C - 40 °C | |
| Preporučena temperatura skladištenja | -20 °C - 70 °C | |
| Masa (bez kompleta baterija) | 2,76kg | |
| Izmjerena razina zvučne snage L _{WA} | 92,1 dB(A) K=1,6 dB(A) | |
| Razina zvučnog tlaka kod uha rukovatelja L _{PA} | 72,6 dB(A) K=2,5 dB(A) | |
| Zajamčena razina zvučne snage L _{WA} (sukladno Direktivi 2000/14/EZ) | 94 dB(A) | |
| Procjena vibracija a _v | Prednja drška | 3,3 m/s ² K=0,9 m/s ² |
| | Stražnji rukohvat | 1,9 m/s ² K=1,5 m/s ² |

- Deklarirane ukupne vrijednosti vibracija izmjerene su u skladu sa standardnom metodom ispitivanja i mogu se koristiti za usporedbu jednog alata s drugim.
- Deklarirane ukupne vrijednosti vibracija mogu se koristiti i u preliminarnoj procjeni izloženosti.

NAPOMENA: emisija vibracija tijekom aktualnog korištenja električnog alata može se razlikovati od deklarirane vrijednosti u kojoj se alat koristi; Radi zaštite rukovatelja korisnik treba nositi rukavice i štitičke za uši u aktualnim uvjetima korištenja.

POPIS ZA PAKIRANJE (Sl. A1)

OPIS

UPOZNAJTE SVOJ ŠIŠAČA SA ŽINJOM (sl. A1)

1. Pokretač
2. Stražnji rukohvat
3. Ručica za otključavanje
4. Prekidač za podešavanje brzine
5. Mekana ovojnica
6. Podesiva prednja pomoćna drška

7. Glava šišača trave (rezna glava)
8. Gumb branika
9. Nož za rezanje rezne žinje
10. Štitnik
11. Mehanizam za izbacivanje
12. Električni kontakti
13. Jezičac
14. Gumb za otpuštanje baterije

BATERIJE

OTKLAPANJE VRATILA

⚠ UPOZORENJE! nemojte držati vratilo na zglobovima kako biste izbjegli priklještenje šaka i prstiju.

⚠ UPOZORENJE! nemojte pokretati trimmer dok se vratilo ne fiksira. Pažljivo otklopite vratilo i pazite da uže bude unutar vratila i fiksirajte ga s dva vijka uz pomoć isporučeneog ključa (Sl. B1&B2).

POSTAVLJANJE ŠTITNIKA

Poravnajte otvore za postavljanje štitnika s otvorima za postavljanje a zatim pričvrstite štitnik na postolje osovine pomoću dva vijka. Uvjerite se da je štitnik pričvršćen u skladu sa slikama C. Svako obrnuto pričvršćivanje izazvat će veliku opasnost!

POSTAVLJANJE I PODEŠAVANJE PREDNJE POMOĆNE DRŠKE

Gurnite prednju pomoćnu dršku na osovinu (sl. E), zatim umetnite blok stezaljke u utor drške (sl. F), postavite polugu za blokiranje i blokirajte ih krilnom maticom (sl. G). Slijed je prikazan na sl. D Na kraju, prilagodite položaj prednje pomoćne drške kako prednji krak bio ravan kada koristite šišač (sl. H), a zatim blokirajte polugu za blokiranje (sl. I).

U nastavku pogledajte opis dijelova na sl. D i H:

| | | | |
|-----|--------------------------|-----|-----------------------|
| D-1 | Prednji pomoćni rukohvat | D-4 | Krilna matica |
| D-2 | Štap za blokiranje | H-1 | Mekani naglavak |
| D-3 | Blok za stezanje | H-2 | Naljepnica upozorenja |

NAPOMENA: Prednju pomoćnu dršku treba se okrenuti prema gore kako bi bila okrenuta prema vrhu drške.

⚠ UPOZORENJE! Učvrstite samo prednju pomoćnu dršku ispred mekane ovojnice na osovini.

⚠ UPOZORENJE! Alat nije moguće koristiti bez prednje pomoćne drške.

RAD

⚠ UPOZORENJE! Nemojte dopustiti da vas poznavanje ovog proizvoda učini nepažljivim. Imajte na umu da je za nanošenje teških ozljeda dovoljan samo djelić sekunde nepažnje.

⚠ UPOZORENJE! Uvijek nosite zaštitu za oči s bočnim štitnicima. Koristite i zaštitu za sluh. Nepostupanje u skladu s tim može rezultirati odbacivanjem predmeta u oči i drugim mogućim teškim ozljedama.

⚠ UPOZORENJE! Nemojte koristiti nikakve priključke ili pribor koje nije preporučio proizvođača ovog proizvoda. Uporaba priključaka ili pribora koji nije preporučen može dovesti do ozbiljnih tjelesnih ozljeda.

⚠ UPOZORENJE! Šišač sa žinjom koristite opremljen odgovarajućom žinjom za rezanje samo za rezanje trave i sličnog materijala.

Ovaj proizvod možete koristiti za svrhe navedene u nastavku:

Šišanje: koristi se za uklanjanje trave i korova oko zidova, ograda, stabala i pregrada.

Košnja: koristi se za košnja trave koju je teško dohvatiti pomoću normalne kosilice.

NAPOMENA: alat se smije koristiti samo za prethodno opisanu namjenu. Svaka druga uporaba, kao što je primjerice rubno šišanje, smatra se nepropisnom uporabom.

SPAJANJE/ODSPAJANJE BATERIJE

U potpunosti napunite prije prve uporabe.

Upotrebljavajte samo s baterijskim modulima i punjačima koji su navedeni na sl. A2.

Spajanje

Poravnajte rebra baterije s utorima za postavljanje i pritišćite bateriju sve dok ne čujete "klik" (sl. J).

Odspajanje

Pritisnite gumb za odspajanje baterije i izvucite bateriju kako je prikazano na slici. (sl. K)

DRŽANJE ŠIŠAČA SA ŽINJOM

⚠ UPOZORENJE! Obucite se propisno kako biste smanjili rizik od ozljeda tijekom rukovanja alatom. Ne nosite široku odjeću ili nakit. Nosite zaštitu za oči i uši/sluh.

Nosite čvrste duge hlače, čizme i rukavice za teške uvjete rada. Nemojte nositi kratke hlače ili sandale ili biti bos.

Prije rada, držite šišač s obje ruke, jednom rukom za stražnju dršku, a drugom za prednju pomoćnu dršku koja mora biti ravna (sl. L). Potom provjerite uravnoteženu polugu i odgovarajući razmak za rezanje, bez da se rukovatelj mora naginjati.

POKRETANJE/ZAUSTAVLJANJE ŠIŠAČA SA ŽINJOM

Pokretanje

Pritisnite polugu za blokiranje i držite je u tom položaju. Pritisnite aktivator da biste uključili šišač, kako je prikazano na sl. M.

Zaustavljanje

Otpustite polugu blokiranja i aktivator.

⚠ NAPOMENA: Motor ima dvije brzine za rezanje, Položaj "1" za nižu brzinu i Položaj "2" za višu brzinu, kako je prikazano na sl. M. Pritisnite prekidač za podešavanje brzine na odgovarajući položaj tijekom rezanja.

Opis dijelova na sl. M pogledajte u nastavku:

| | |
|-----|-----------|
| M-1 | Položaj 1 |
| M-2 | Položaj 2 |

⚠ UPOZORENJE! Za vrijeme prekida rada i nakon završetka rada uvijek izvadite bateriju iz šišača.

UPORABA ŠIŠAČA SA ŽINJOM

⚠ UPOZORENJE! Kako biste izbjegli ozbiljne tjelesne ozljede, u svakom trenutku tijekom rada s ovim uređajem nosite zaštitne naočale ili sigurnosne naočale. U prašnjavim područjima nosite zaštitnu masku za lice ili masku za zaštitu od prašine.

Prije svake uporabe očistite radno područje. Uklonite sve predmete poput kamenja, razbijenog stakla, čavala, žica ili niti koje stroj može odbaciti ili koji se mogu zaplesti u rezni priključak. Iz područja udaljite djecu, promatrače i kućne ljubimce. Držite djecu, promatrače i kućne ljubimce udaljene najmanje 15 m; čak i tada postoji opasnost od odbačenih predmeta za promatrače. Promatrače je potrebno zamoliti da nose zaštitu za oči. Ako vam netko prilazi, odmah zaustavite motor i rezni priključak.

Prije svake uporabe provjerite oštećene/istrošene dijelove

Provjerite glavu šišača trave, štitnik i prednji pomoćni rukohvat i zamijenite dijelove koji su napukli, deformirani, svinuti ili oštećeni na bilo koji način.

Oštrica za rezanje rezne niti na rubu štitnika vremenom može otupjeti. Preporučujemo povremeno oštrenje oštrice turpijom ili zamjenu oštrice novom.

⚠ UPOZORENJE! Pri postavljanju ili zamjeni štitnika ili pri oštrenju ili zamjeni noža uvijek nosite rukavice. Pazite da se ne porežete na nož te zaštitite ruke od ozljeda.

Šišač s reznom žinjom očistite nakon svake uporabe.

⚠ OPREZ: Prepreke u ventilacijskim otvorima sprječavaju da zrak struji u kućište motora što uzrokuje pregrijavanje ili oštećenje motora.

- Za čišćenje alata koristite samo blagi sapun i vlažnu krpu. Nikada nemojte dopustiti da tekućina uđe u alat; Nikada ne uranjajte nijedan dio alata u tekućinu.
- Držite ventilacijske otvore kućišta motora u svakom trenutku bez nečistoća.

⚠ UPOZORENJE! Za čišćenje vašeg šišača nikada ne koristite vodu. Pri čišćenju plastičnih dijelova izbjegavajte koristiti otapala. Većina plastike podložna je oštećenju različitih vrsta komercijalnih otapala. Za uklanjanje nečistoće, prašine, ulja, masti i sl. koristite čiste krpe.

PODEŠAVANJE DULJINE REZNE NITI

Glava šišača trave rukovatelju omogućuje otpuštanje više rezne žinje bez zaustavljanja motora. Ako se rezna žinja stanji ili istroši, laganim doticanjem glave šišača trave o tlo tijekom rukovanja šišačem moguće je otpustiti više žinje (sl. N).

NAPOMENA: otpuštanje niti teže je kako se rezna nit skraćuje.

⚠ UPOZORENJE! Ne uklanjajte sklop rezne ošttrice niti ili ne obavljajte preinake na njemu. Prekomjerna duljina niti prouzroči će pregrijavanje motora što može rezultirati teškim tjelesnim ozljedama.

ZAMJENA REZNE NITI

NAPOMENA: uvijek koristite preporučenu najlonsku reznu nit promjera ne većeg od 2,0 mm. Korištenje rezne niti drukčije od navedene može prouzročiti pregrijavanje ili oštećenje šišača trave.

⚠ UPOZORENJE! Nikada ne koristite metalom ojačanu žinju, žicu ili uže i sl. jer mogu se odlomiti i postati opasni projektili.

Pritisnite prekidač za podešavanje brzine na odgovarajući položaj tijekom rezanja:

1. Namotajte na glavu novu žinju.
2. Postavite okretni štap (AS1302, ako je potrebno, dostupno kod prodavača).

Namotajte na špulu novu žinju

Pritisnite jezičce na držaču špule žinje i uklonite držač špula žinje povlačeći špulu žinje ravno van (sl. O). Izvadite oko 5 m žinje iz glave promjera 2,0 mm. Presavinite je i namotajte

žinju kako je prikazano na na sl. P i Q. Zatim stavite krajeve žinje preko dvaju suprotnih ureza na špuli (sl. R) i postavite špulu u njen držač sa zarezima poravnatima s držačima okica (sl. T). Na kraju, poravnajte utore držača s jezičcima na špuli i stisnite držač prema dolje ravnomjerno, osiguravajući da sjedne na svoje mjesto (sl. S).

NAPOMENA: Prije čišćenja glave šišača, uvijek očistite držač špule, špulu i postolja špule. Provjerite držač špule, špulu i postolja u pogledu trošenja. Ako je potrebno, zamijenite istrošene dijelove.

NAPOMENA: Postavljanje žinje suprotno od naznačenog smjera uzrokuje pogrešnu radnju glave šišača.

Postavite namotanu špulu

Pritisnite jezičce na držaču špule žinje i uklonite držač špula žinje povlačeći špulu žinje ravno van (sl. O). Zatim postavite namotanu špulu u držač s urezima poravnatima s držačima okica (sl. T). Na kraju, poravnajte utore držača s jezičcima na špuli i pritisnite držač prema dolje ravnomjerno, osiguravajući da sjedne na svoje mjesto (sl. S).

Opis dijelova na sl. S & T pogledajte u nastavku:

| | | | |
|-----|---------|-----|-------|
| S-1 | Jezičac | T-1 | Urez |
| S-2 | Utor | T-2 | Okica |

NAPOMENA: Provjerite jesu li jezičci na postolju špule učvršćeni na svom mjestu jer će u suprotnom špula tijekom rada izaći.

ODRŽAVANJE

⚠ UPOZORENJE! Pri servisiranju koristite samo identične zamjenske dijelove. Redovito obavljajte pregled i održavanje stroja. Radi osiguranja sigurnosti i pouzdanosti sve popravke treba obavljati kvalificirani servisni tehničar.

⚠ UPOZORENJE! Baterijske alate nije potrebno uključivati u električnu utičnicu, stoga su uvijek u radnom stanju. Da biste spriječili ozbiljne tjelesne ozljede, poduzmite dodatne mjere opreza i brige prilikom održavanja, servisiranja ili mijenjanja priključaka za rezanje ili drugih priključaka.

⚠ UPOZORENJE! Radi sprečavanja teških tjelesnih ozljeda, prije servisiranja, čišćenja, promjene priključaka ili uklanjanja materijala iz uređaja izvadite komplet baterija iz alata.

ČIŠĆENJE UREĐAJA

- Jedinicu očistite vlažnom krpom i blagim deterdžentom.
- Za čišćenje plastičnog kućišta ili rukohvata ne koristite jake deterdžente jer mogu ih oštetiti neka aromatična ulja, kao što su borovo i limunovo ulje i otapala kao što je kerozin. Vлага može izazvati opasnost od strujnog udara. Vlažna mjesta obrišite mekanom suhom krpom.
- Za čišćenje ventilacijskih otvora na stražnjem kućištu koristite malu četku ili mali usisavač.

SKLADIŠTENJE JEDINICE

- Ako ga ne koristite, uklonite bateriju iz šišača.
- Prije skladištenja temeljito očistite alat.
- Jedinicu skladištite na suhom, dobro prozračenom mjestu koje je moguće zaključati ili koje je na visini izvan dohvata djece. Uređaj nemojte pohranjivati na gnojivima, benzinu ili drugim kemikalijama ili u njihovoj blizini.

Zaštita okoliša



Električnu opremu, iskorištenu bateriju i punjač ne odlažite u otpad iz kućanstva! Ovaj proizvod odnesite u ovlaštenu centar za reciklažu i time omogućite odvojeno sakupljanje. Električne alate potrebno je vratiti u ekološki prihvatljiv pogon za reciklažu.

OTKLANJANJE POGREŠKI

| PROBLEM | UZROK | RJEŠENJE |
|--|--|---|
| Šišač trave s reznom niti ne pokreće se. | <ul style="list-style-type: none"> ■ Komplet baterija nije pričvršćen na šišač sa žinjom. ■ Nema električnog kontakta između šišača i baterije. ■ Komplet baterija je ispražnjen. ■ Ručica za deblokadu i okidač ne pritišću se istodobno. | <ul style="list-style-type: none"> ■ Pričvrstite komplet baterija na šišač sa žinjom. ■ Izvadite bateriju, provjerite kontakte i ponovno stavite komplet baterija. ■ Napunite komplet baterija. ■ Pritisnite ručicu za blokadu i držite je pritisnutom, a zatim pritisnite okidač kako biste uključili šišač trave s reznom niti. |
| Šišač trave s reznom niti zaustavlja se tijekom rezanja. | <ul style="list-style-type: none"> ■ Štitnik nije postavljen na šišač trave, što rezultira predugačkom reznom niti i preopterećenjem motora. ■ Koristi se teška rezna nit. ■ Vratilo motora ili glavu šišača trave blokira trava. ■ Motor je preopterećen. ■ Komplet baterija ili šišač trave s reznom niti previše je vruć. ■ Komplet baterija odspojen je od alata. ■ Komplet baterija je ispražnjen. | <ul style="list-style-type: none"> ■ UKLONITE KOMPLET BATERIJA I NA ŠIŠAČ TRAVE POSTAVITE ŠITNIK. ■ Uklonite komplet baterija i na šišač trave postavite štitnik. ■ Zaustavite šišač trave, izvadite bateriju i očistite travu s vratila motora i glave šišača trave. ■ Uklonite glavu šišača s trave. Motor će se oporaviti i biti spreman za rad čim se otkloni opterećenje. Glavu šišača prilikom šišanja pomičite u travu i iz trave i jednim rezom ne uklanjajte više od 20 cm duljine. ■ Pričekajte da se komplet baterija ili šišač ohladi na temperaturu ispod 67 °C. ■ Ponovno stavite komplet baterija. ■ Napunite komplet baterija. |
| Glava šišača ne izvlači reznu nit. | <ul style="list-style-type: none"> ■ Vratilo motora ili glavu šišača trave blokira trava. ■ Na kalemu nema dovoljno rezne žinje. ■ Glava šišača trave je zaprišana. ■ Žinja se zapetljala na špuli. ■ Rezna nit je prekratka. | <ul style="list-style-type: none"> ■ Zaustavite šišač trave, izvadite bateriju i očistite travu s vratila motora i glave šišača trave. ■ Izvadite bateriju i zamijenite reznu žinju; slijedite upute u poglavlju "ZAMJENA REZNE ŽINJE" u ovom priručniku. ■ Izvadite bateriju i očistite šišač, držač šišača i kućište špule. ■ Izvadite bateriju, uklonite reznu žinju s držača špule i ponovno je namotajte; slijedite upute u poglavlju "ZAMJENA REZNE ŽINJE" u ovom priručniku. ■ Uklonite bateriju i ručno povucite rezne žinje dok izmjenično pritišćete i otpustate glavu šišača trave. |

| PROBLEM | UZROK | RJEŠENJE |
|---|--|--|
| Trava se omotava oko glave šišača trave i kućišta motora. | <ul style="list-style-type: none">■ Visoka trava reže se od razine tla. | <ul style="list-style-type: none">■ Visoku travu režite odozgo prema dolje i pritom ne režite više od 20 cm u svakom prolazu kako biste izbjegli omotavanje. |
| Žinja ne reže dobro. | <ul style="list-style-type: none">■ Oštrica za rezanje rezne žinje na rubu štitnika je tupa. | <ul style="list-style-type: none">■ Oštricu za rezanje rezne žinje naoštrite turpijom ili zamijenite je novom. |

JAMSTVO

JAMSTVENA POLITIKA PROIZVOĐAČA EGO

Za cjelokupne uvjete jamstvene politike proizvođača EGO posjetite internetsku stranicu egopowerplus.com.

სრულად გაეცანით ინსტრუქციას!



გაეცანით მომხმარებლის ინსტრუქციას

⚠ გაფრთხილება: არსებული რისკი! პიროვნებებმა ისეთი ელექტრული მოწყობილობებით, როგორცაა იმპლანტირებული დეფიბრილატორი, უნდა მიმართონ პირად ექიმს რჩევებისთვის ამ პროდუქტის გამოყენებამდე. იმპლანტირებულ დეფიბრილატორთან უშუალო სიახლოვეს ელექტრული მოწყობილობის ოპერირებამ შესაძლოა დეფიბრილატორს ხელი შეუშალოს მუშაობაში ან გათიშოს იგი.



უსაფრთხოების წიშანი



გაიკეთეთ თვალების დამცავი - ყოველთვის მორგეთ უსაფრთხოების თვალსაფარი ან გვერდითა ეკრანების მქონე უსაფრთხოების სათვალე და მთლიანი სახის ეკრანი ხელსაწყოთი სარგებლობისას.



გაიკეთეთ ყურების დამცავი - ყოველთვის გაიკეთეთ ყურების დამცავი ხელსაწყოთი სარგებლობისას.



გაიკეთეთ თავის დამცავი საშუალება - გამოიყენეთ აპრობირებული მყარი ჩაფხუტი, რათა დაიცვათ თავის არე.



არ დაუყენოთ მრგვალი ფორმის საჭრელი დანები.



სიგანე - ელექტრული სათიბის მაქსიმალური თიბვის სიგანე



დარწმუნდით რომ სხვა ადამიანები ან შინაური ცხოველები იმყოფებიან მინიმუმ 15 მ მოშორებით ელექტრო მთიბავით სარგებლობისას.



ხელსაწყო შეესაბამება ევროკავშირის მიერ წამოყენებულ რეგულაციებს.



ელექტრო ხელსაწყოების უტილიზაცია არ უნდა მოხდეს საყოფაცხოვრებო ნარჩენებთან ერთად. წალეთ ხელსაწყო ნარჩენების ავტორიზებულ გადამამუშავებელთან.

უსაფრთხოების წესის სიმბოლოები

⚠ გაფრთხილება: ელექტრული ხელსაწყო გამოყენებისას შესაძლოა უცხო სხეულის თვალის მიდამოში მოხვედრა, რამაც შესაძლოა გამოიწვიოს თვალის მნიშვნელოვანი დაზიანება. ელექტრული ხელსაწყო გამოყენებამდე აუცილებლად მორგეთ უსაფრთხოების თვალსაფარი ან სათვალე მყარი თვალის დამცავებით და მთლიანი სახის ეკრანით. ჩვენ რეკომენდაციას ვუწვევთ ფართო ხედვის არის მქონე უსაფრთხოების ნიღაბს სათვალეებთან ერთად ან სტანდარტულ გვერდითა ეკრანების მქონე უსაფრთხოების სათვალეებს.



დაზიანების რისკის შესამცირებლად მომხმარებელმა უნდა წაიკითხოს ხელსაწყო მუშაობის ინსტრუქცია.



ჩაიცეთ უსაფრთხოების დამცავი ფეხსაცმელი - ჩაიცეთ მოცურების საწინააღმდეგო ფეხსაცმელი ხელსაწყო გამოყენებისას.



ჩაიცეთ დამცავი ხელთათმანები - დაიცავით თქვენი ხელები ხელთათმანებით, როდესაც ეხებით დანას ან დანის დამცავ კერანს.



მოერიდეთ დანის ბიძგს - გააფრთხილეთ მომხმარებელი დანის ბიძგის საფრთხის შესახებ.



დამატერი - მთიბავი ნეილონის ძუის დამატერი



შესაძლოა გამოტყორცნილი სხეულების რიკოშტირება და ამით პირადი ან ქონებრივი ზიანის მიყენება. დარწმუნდით რომ სხვა ადამიანები ან შინაური ცხოველები იმყოფებიან ბუჩქის საკრეჭიდან მოშორებით ხელსაწყოთი სარგებლობისას.



არ გამოიყენოთ წვიმაში ან დატოვით გარეთ წვიმის დროს.



ეს პროდუქტი შეესაბამება დიდი ბრიტანეთის მოქმედ კანონმდებლობას.



გარანტირებული ხმის სიმძლავრის დონე. გარემოში ხმაურის გავრცელების დონე ევროკავშირის რეგულაციების შესატყვისია.

KA



V ძაბვა


n_0 დაუტვირთავი სიჩქარე-დაუტვირთავი ბრუნვის სიჩქარე

.../min წუთში

 მუდმივი დენი

kg კილოგრამი

სპეციფიკაცია

| | | |
|--|--|--|
| ძაბვა | 56 ვოლტი  | |
| დაუტვირთავი ბრუნვის სიჩქარე | მაღალი: 6500 ბრ/წთ დაბალი: 5200 ბრ/წთ | |
| მთიბავი მექანიზმი | მთიბავის თავაკი | |
| მთიბავი ძუის ტიპი | 2.0 მმ სისქის ნეილონი დაგრებილი ძუა | |
| თიბვის სიგანე | 33 სმ | |
| რეკომენდირებული საექსპლუატაციო ტემპერატურა | 0°C-40°C | |
| რეკომენდირებული დასაწყობების ტემპერატურა | -20°C-70°C | |
| წონა (აკუმულატორის გარეშე) | 2.76 კგ | |
| გაზომილი ხმის სიმძლავრის დონე L_{WA} | 92,1 dB(A) K=1.6 dB(A) | |
| მაქს. ბგერის წნევის დონე მომხმარებლის ყურზე L_{pA} | 72,6 dB(A) K=2.5 dB(A) | |
| გარანტირებული ხმის სიმძლავრის დონე L_{WA} (2000/14/EC რეგულაციის მიხედვით) | 94 dB(A) | |
| ვიბრაციის შეფასება a_n | წინა სახელური | 3,3 მ/წმ ² K=0,9 მ/წმ ² |
| | უკანა სახელური | 1,9 მ/წმ ² K=1.5 მ/წმ ² |

- მითითებული ვიბრაციის სრული მნიშვნელობა გაზომილია სტანდარტული ტესტირების მეთოდით და შესაძლოა გამოყენებულ იქნას ერთი ხელსაწყოს მეორესთან შედარებისას.
- მითითებული ვიბრაციის სრული მნიშვნელობა ასევე შესაძლოა გამოყენებულ იქნას ზემოქმედების პირველადი შეფასებისას.

შენიშვნა: ელექტრული ხელსაწყოთა ვიბრაციის ემისია გამოყენებისას შესაძლოა განსხვავდებოდეს მითითებული ოდენობისგან; მომხმარებელმა ხელსაწყოთა სარგებლობისას საჭიროა გამოიყენოს ხელთათმანები და ყურის დამცავი საშუალებები.

შეფუთვის ჩამონათვალი(ნახ. A1)

აღწერა

შეისწავლეთ თქვენი ელექტრო სათიბი (ნახ. A1)

1. ტრიგერი
2. უკანა სახელური
3. ჩამკვეტი ბერკეტი

KA

190

56 ვოლტიანი ლითიუმ-იონის აკუმულატორიანი უსადენო ელექტრო სათიბი — ST1300E-S

4. სიჩქარის მარეგულირებელი გადამრთველი
5. რბილი ქურო
6. რეგულირებადი წინა სახელური
7. სათიბის თავაკი
8. თავაკის ბუნჯი
9. სათიბის დანა
10. დამცავი ეკრანი
11. ამოგდების მექანიზმი
12. ელექტრული კონტაქტები
13. ჩამკეტი
14. აკუმულატორის მოხსნის ღილაკი

ანცობა

ტარის გაშლა

▲ გაფრთხილება: არ დაიჭიროთ ტარი სახსრებთან, რათა თავიდან აიცილოთ ხელების ან თითების მოყოლება.

▲ გაფრთხილება: ნუ ეცდებით საპარსის ჩართვას, სანამ ტარი არ ჩაიკეტება. ფრთხილად გაშალეთ ტარი, ისე, რომ კაბელი ტარის შიგნით იყოს და ჩაკეტეთ ის ორი ხრახნით, ქანჩის მეშვეობით, რომელიც მას მოყვება (სურ. B1 და B2).

დამცავი ეკრანის დამონტაჟება

გაუსწორეთ დამცავი ეკრანის ნასვრეტები ხრახნების ბუდეებს და მჭიდროდ დაამაგრეთ ეკრანი სახელურზე ორი ხრახნის საშუალებით. დარწმუნდით რომ დამცავი ეკრანი დამაგრებულია, როგორც ნაჩვენებია ნახ. C, ნებისმიერი სხვაგვარი დამაგრება არის საბიფათო!

წინა სახელურის დამაგრება და გასწორება

ჩასვით წინა სახელური ხელსაწყო ტარზე (ნახ. E), შემდეგ დაამაგრეთ დამჭერი ბლოკი სახელურის ნასვრეტში (ნახ. F), ჩასვით ჩამკეტი ძელი და დაამაგრეთ ფრთიანი ქანჩით (ნახ. G). თანმიმდევრობა ნაჩვენებია ნახ. D-ზე. ბოლოს გაასწორეთ წინა სახელურის მდებარეობა, რათა დარწმუნდეთ რომ მკლავი არის სწორ მდგომარეობაში სათიბის გამოყენებისას

(ნახ. H) და შემდეგ დაამაგრეთ ჩამკეტი ძელის ბერკეტი (ნახ. I).

ნახ. D და H ნაჩვენები ნაწილების აღწერა მოცემულია ქვევით:

| | | | |
|-----|----------------------------|-----|-------------------------|
| D-1 | რეგულირებადი წინა სახელური | D-4 | ფრთიანი ქანჩი |
| D-2 | ჩამკეტი ძელი | H-1 | რბილი ქურო |
| D-3 | დამჭერი ბლოკი | H-2 | გამაფრთხილებელი ეტიკეტი |

შენიშვნა: რეგულირებადი წინა სახელური უნდა მოტრიალდეს ზევითა მხარეს, რათა დაემიზნოს სახელურის ზედა ნაწილს.

▲ გაფრთხილება: რეგულირებადი წინა სახელური მხოლოდ რბილი ქუროს წინ დაამაგრეთ ხელსაწყოს ტარზე.

▲ გაფრთხილება: ხელსაწყოს გამოყენება შეუძლებელია რეგულირებადი წინა სახელურის მჭიდროდ დამაგრების გარეშე.

გამოყენება

▲ გაფრთხილება: შეეცადეთ მსგავსი პროდუქტის გამოყენების გამოცდილებამ არ გამოიწვიოს თქვენი უგულისყურობა. დაიმახსოვრეთ რომ უგულისყურობამ წამის მეათედშიც კი შესაძლოა მოგიტანოთ სერიოზული ზიანი.

▲ გაფრთხილება: ყოველთვის მორიგეთ გვერდითა ეკრანების მქონე უსაფრთხოების სათვალე და სმენის დამცავი საშუალება. ამ ინსტრუქციის უგულებელყოფამ შესაძლოა გამოიწვიოს სხვადასხვა სახელის თვალში მოხვედრა და სხვა შესაძლო სერიოზული ზიანი.

▲ გაფრთხილება: არ გამოიყენოთ სხვა ნებისმიერი ნაწილი, რომელიც არაა რეკომენდირებული ამ ხელსაწყოს მწარმოებლის მიერ. არარეკომენდირებული ნაწილის გამოყენებამ შესაძლოა მოგაყენოთ სერიოზული ზიანი.

KA

▲ გაფრთხილება: აღჭურვეთ თქვენი სათიბი მხოლოდ ბალახის ან სხვა მსგავსი ნივთიერების ჭრისთვის შესაბამისი სათიბი ბუთით.

თქვენ შეგიძლიათ გამოიყენოთ ხელსაწყო ქვემოთ ჩამოთვლილი მიზნებისთვის:

გაკრეჭა: გამოიყენება ბალახის და სარველას მოსაცილებლად კედლის, ღობის, ხის და საზღვრების გასწვრივ.

მოთიბვა: გამოიყენება ისეთი ბალახის მოსათიბად, რომელიც რთულადაა მისადგომი ჩვეულებრივი სათიბი მანქანისთვის.

შენიშვნა: ხელსაწყო გამოიყენება შესაძლებელია მხოლოდ დანიშნულებისამებრ. სხვა ნებისმიერი სარგებლობა, მაგალითად ბუჩქის გაკრეჭვა, ჩაითვლება როგორც არამიზნობრივი გამოყენების შემთხვევა.

აკუმულატორის ჩამაგრება/მოხსნა სრულად დატენივ პირველ ჯერზე სარგებლობამდე.

გამოიყენეთ მხოლოდ ის აკუმულატორის ბლოკები და დამტენები, რომლებიც მითითებულია სურ. A2-ში

ჩამაგრებისთვის

გაუსწორეთ აკუმულატორის სამაგრები ბუდის ნასვრეტებს და დააწეკით აკუმულატორს, სანამ არ გაიგებთ „წკაკ“ ხმას (ნახ. J).

მოხსნისთვის

დააჭირეთ აკუმულატორის გამშვებ დილაკს და ამოიღეთ აკუმულატორი როგორც ნაჩვენებია ნახ. K-ზე.

ელექტრო სათიბის ჯერის წესი

▲ გაფრთხილება: ჩაიცვით შესაბამისად, რათა შეამციროთ დაზიანების რისკი ხელსაწყოთი სარგებლობისას. არ ჩაიცვათ განიერი, ფრიალა ტანსაცმელი და ძვირფასეულობა. მოირგეთ თვალის და თვალის/სმენის დამცავი

საშუალებები. ჩაიცვით სამუშაო გრძელი შარვალი, დახურული ფეხსაცმელი და ხელთათმანები. დაუშვებელია გეცვათ მოკლე შორტი, სანძღები ან იარაღი ფეხშიშველმა.

სათიბით სარგებლობამდე დაიჭირეთ ის ორივე ხელით, მოათავსეთ ერთი ხელი უკანა სახელურზე, ხოლო მეორე გამართული ხელი - წინა სახელურზე. ყოველთვის დაიცავით ბალანსი და მყარად იდექით ფეხზე. დაიცავით მოთიბვისას სწორი დისტანცია და წინ არ გადაიხაროთ.

ელექტრო სათიბის ჩართვა/გამორთვა

ჩასართავად

დააჭირეთ ჩამკეტ ბერკეტს და გააჩერეთ ამ მდგომარეობაში. დააჭირეთ ტრიგერს, რათა ჩართოთ სათიბი როგორც ნახ. M არის ნაჩვენები.

გამოსართველად

გაუშვით ხელი ჩამკეტ ბერკეტს და ტრიგერს.

შენიშვნა: მოტორს აქვს ორი სათიბი სიჩქარე, პოზიცია „1“ დაბალი სიჩქარით და პოზიცია „2“ მაღალი სიჩქარით თიბვისთვის, როგორც ნახ. M არის ნაჩვენები. დააჭირეთ ხელი სიჩქარის რეგულირების გადამრთველს თიბვისას სასურველი სიჩქარის ასარჩევად.

ნახ. M ნაჩვენები ნაწილების აღწერა მოცემულია ქვევით:

| | |
|-----|-------------|
| M-1 | პოზიცია „1“ |
| M-2 | პოზიცია „2“ |

▲ გაფრთხილება: ყოველთვის მოხსენით აკუმულატორი ხელსაწყო შესვენებისას ან სამუშაოს დამთავრებისთანავე.

ელექტრო სათიბის გამოყენების წესი

▲ გაფრთხილება: სერიოზული პერსონალური ზიანისგან თავის არიდების მიზნით ყოველთვის მოირგეთ უსაფრთხოების თვალსაფარი ან სათვალე ხელსაწყოთი სარგებლობისას. გამოიყენეთ სახის ნიღაბი ან მტვრის საწინააღმდეგო ნიღაბი მტვრიან ადგილას მუშაობისას.

გასუფთავეთ გასათიბი არე მუშაობის დაწყებამდე. მოაცილეთ ყველა ობიექტი როგორცაა ქვები, დამტვრეული მინა, ლურსმანი, სადენი ან ბაწარი, რომელიც შესაძლოა ჩაყვას ან დაეხვიოს ხელსაწყოს მთიბავ ნაწილს. მთიბადეთ სამუშაო ადგილს ბავშვები, სხვა პირები და შინაური ცხოველები. დარწმუნდით რომ ბავშვები, სხვა ადამიანები ან შინაური ცხოველები იმყოფებიან მინიმუმ 15 მ მოშორებით; არსებობს რისკი რომ უცხო სხეულები მაღალი სიჩქარით გვერდზე მდგომი პირებისკენ გაიტყორცნონ. გვერდზე მდგარი პირებისთვის რეკომენდირებულია თვალის დამცავი საშუალებების გამოყენება. თუ თქვენ სხვა პირვენება მოგიახლოვდათ, დაუყონებლივ გააჩერეთ მოტორი და სათიბი მოწყობილობა.

ყოველი გამოყენების წინ შეამოწმეთ ნაწილები დაზიანებაზე/ცვეთაზე

შეამოწმეთ სათიბის თავაკი, დამცავი ეკრანი და რეგულირებადი წინა სახელური, შეცვალეთ ნაწილები, რომლებიც გაზზარულია, გაღუნულია, აქვს შეცვლილი ფორმა ან დაზიანებულია სხვაგვარად.

დამცავ ეკრანის კიდესთან მდებარე მთიბავის დანა შესაძლოა დაჩლუნგდეს დროთა განმავლობაში რეკომენდირებულია მისი გალესვა პერიოდულად ქლიბის საშუალებით ან ახალი დანის დამონტაჟება.

▲ გაფრთხილება: ყოველთვის გამოიყენეთ ხელთათმანები, როდესაც ამონტაჟებთ ან ცვლით დამცავ ეკრანს ან ლესავთ/ცვლით დანას. ფრთხილად მოეპყარით დანას ეკრანზე და დაცავით ხელი გაჭრისგან.

ყოველი გამოყენების შემდეგ გაასუფთავეთ სათიბი.

▲ ყურადღება: საჭაერობის დახშობა ხელს უშლის ჰაერის შედინებას მოტორში და გამოიწვევს მის გადახურებას და დაზიანებას.

- გამოიყენეთ მხოლოდ რბილი საპონი და ნოტიო ქსოვილი ხელსაწყოს გასაწმენდად. არასდროს დაუშვათ ხელსაწყოში სითხის შეღწევა; არასდროს მოათავსოთ ხელსაწყოს რაიმე ნაწილი სითხეში.

- ყოველთვის გაათავისუფლეთ მოტორის საჭაეროები ნარჩენებისგან.

▲ გაფრთხილება: არასდროს გამოიყენოთ წყალი თქვენი სათიბის გასაწმენდად. მოერიდეთ გამხსნელების გამოყენებას ხელსაწყოს პლასტმასის ნაწილების გაწმენდისას. უმეტესობა პლასტმასები ზიანდება მათზე გამხსნელების გამოყენების შედეგად. გამოიყენეთ სუფთა ტილო ტალახის, მტვრის, ზეთის, ცხიმის და სხვ. მოსაცილებლად.

სათიბი ძუის სიგრძის ცვლილება

სათიბის თავაკი აძლევს მომხმარებელს საშუალებას გაზარდოს სათიბის ძუის სიგრძე მოტორის გაუჩერებლად. როდესაც ძუა იცვითება და წყდება, დამატებითი ძუის სიგრძის გამოშვება შესაძლებელია სათიბის თავაკის მიწაზე რბილი დარტყმით ხელსაწყოთი სარგებლობისას (ნახ. N).

შენიშვნა: ძუის გამოშვება მით უფრო გართულდება, რაც ხვიაზე მისი სიგრძე მოკლდება.

▲ გაფრთხილება: არ მოხსნათ ან შეცვალოთ ძუის საჭრელი დანის კონსტრუქცია. საჭრელი ძუის დიდი სიგრძე გამოიწვევს მოტორის გადახურებას, რამაც შესაძლოა მოგაყენოთ სერიოზული ზიანი.

ძუის გამოცვლა

შენიშვნა: ყოველთვის გამოიყენეთ რეკომენდირებული ნეილონის სათიბი ძუა, რომლის დიამეტრი არ აღემატება 2.0 მმ-ს. სხვა ტიპის ძუის გამოყენებამ შესაძლოა გამოიწვიოს სათიბის გადახურება და დაზიანება.

▲ გაფრთხილება: არასოდეს გამოიყენოთ მავთული, სხვა მეტალის ჩანართიანი ზონარი, თოკი და სხვ. ესენი შესაძლოა გაწყდეს და წარმოქმნას სახიფათო გამოტყორცნილი სხეულები.

KA

სათიბი ძუის შეცვლის ორი მეთოდი არსებობს:

1. დაახვეთ ახალი ძუა არსებულ კოჭაზე.
2. დაამონტაჟეთ ახალი კოჭა წინასწარ დახვეული დახვეული ძუით (AS1302, საჭიროების შემთხვევაში მოიკითხეთ მომწოდებელთან).

დაახვეთ ახალი ძუა არსებულ კოჭაზე

დააჭირეთ კოჭის ფუძეზე არსებულ ორ გამშვებ ღილაკს და მოხსენით კოჭის დამჭერი (ნახ. O). გადაზომეთ დაახლოებით 5 მ სიგრძის 2.0 მმ დიამეტრის მქონე სათიბი ძუა. დაკეცეთ და დაახვეთ კოჭაზე როგორც ნაჩვენებია ნახ. P და Q. ძუის ბოლოები მოათავსეთ კოჭაზე არსებულ ორ საპირისპირო ჭდეში (ნახ. R) და მოათავსეთ კოჭა მის დამჭერში ისე რომ, ჭდეები გაუსწორდეს კოჭის დამჭერზე არსებულ ნასვრეტებს (ნახ. T). საბოლოოდ, გაუსწორეთ დამჭერზე არსებული ნასვრეტები კოჭის ფუძეზე არსებულ ღილაკებს და თანაბრად დააწეით კოჭის დამჭერს დაბლა, დარწმუნდით რომ ის მჭიდროდ ჯდება ბუდეში (ნახ. S).

შენიშვნა: ყოველთვის გაწმინდეთ კოჭის დამჭერი, კოჭა და კოჭის ფუძე სათიბის თავაკის აწყობამდე. შემოაწმინდეთ კოჭის დამჭერი, კოჭა და კოჭის ფუძე ცვეთაზე. საჭიროების შემთხვევაში შეცვალეთ გაცვეთილი ნაწილები.

შენიშვნა: მითითებულისგან განსხვავებული მიმართულებით ძუის დახვევის შემთხვევაში სათიბის თავაკი იმუშავებს არასწორად.

წინასწარ დახვეული კოჭის დამაგრება

დააჭირეთ კოჭის ფუძეზე არსებულ ორ გამშვებ ღილაკს და მოხსენით კოჭის დამჭერი (ნახ. O). შემდეგ მოათავსეთ წინასწარ დახვეული კოჭა დამჭერში ისე რომ, ჭდეები გაუსწორდეს კოჭის დამჭერზე არსებულ ნასვრეტებს (ნახ. T). საბოლოოდ, გაუსწორეთ დამჭერზე არსებული ნასვრეტები კოჭის ფუძეზე არსებულ

ღილაკებს და თანაბრად დააწეით კოჭის დამჭერს დაბლა, დარწმუნდით რომ ის მჭიდროდ ჯდება ბუდეში (ნახ. S).

ნახ. S & T ნაჩვენები ნაწილების აღწერა მოცემულია ქვევით:

| | | | |
|-----|----------|-----|--------|
| S-1 | ღილაკი | T-1 | ჭდე |
| S-2 | ნასვრეტი | T-2 | ხვრელი |

შენიშვნა: დარწმუნდით რომ კოჭის ფუძეზე არსებული ღილაკები ჯდება მჭიდროდ სათანადო ადგილას. წინააღმდეგ შემთხვევაში კოჭა შესაძლოა მოძვრეს ხელსაწყო მუშაობის პროცესში.

ექსპლუატაცია

▲ გაფრთხილება: ტექნიკური სერვისისას გამოიყენეთ მხოლოდ იდენტური სათანადარიგო ნაწილები. გაუკეთეთ ხელსაწყო რეგულარული შემოწმება და ინსპექტირება. ხელსაწყო უსაფრთხოდ და გამართულად მუშაობისთვის საჭიროა მისი ყველა შეკეთება და ნაწილის შეცვლა შესრულდეს კვალიფიციური სერვისის ტექნიკოსის მიერ.

▲ გაფრთხილება: აკუმულატორიანი ელექტრული ხელსაწყოების ქსელში შეერთება არ არის აუცილებელი; ისინი ყოველთვის მუშა მდგომარეობაში არიან. სერიოზული პერსონალური ზიანისგან თავის არიდების მიზნით მიიღეთ დამატებითი ზომები და გამოიჩინეთ სიფრთხილე შეკეთებისას, სერვისის ან სათიბი და სხვა ნაწილების შეცვლისას.

▲ გაფრთხილება: სერიოზული პერსონალური ზიანისგან თავის არიდების მიზნით მოხსენით აკუმულატორი ხელსაწყო ტექნიკური სერვისის, გაწმენდის, ნაწილების შეცვლის ან ნარჩენი ნივთიერების მოცილების დროს.

KA

ხელსაწყო განმუხტვის წესი

გაწმინდეთ ხელსაწყო ნოტიო ქსოვილით და რბილი სარეცხი საშუალებით.

არ გამოიყენოთ ძლიერი გამწმენდი საშუალებები პლასტმასის ბუდეზე ან სახელურზე. ისინი შესაძლოა დაზიანდეს ისეთი არომატოზატორებით, როგორცაა ნაბვის ან ლიმნის ზეთი, ან ნავთის ტიპის გამხსნელი საშუალებებით. სინესტემ ასევე შეიძლება შექმნას ელექტრული შოკის საფრთხე. რბილი, მშრალი ქსოვილით მოწმინდეთ ხელსაწყო ნებისმიერი წესტი.

გამოიყენეთ მცირე ფუნჯი ან პატარა მტვერსასრუტის ჰაერის ჭავლი რათა გაწმინდოთ ხელსაწყო საჰაეროები ბუდის უკანა მხარეს.

ხელსაწყო შენახვის წესი

მოხსენით აკუმულატორი ელექტრო სათიბს გამოყენების შემდეგ.

საფუძვლიანად გაწმინდეთ ხელსაწყო შენახვამდე.

შეინახეთ ხელსაწყო მშრალ, კარგად განიავებად ადგილას ჩაკეტილ და მაღალ სათავსოში, ბეშვებისთვის მიუწვდომელ ადგილას. არ შეინახოთ ხელსაწყო სასუქის, ბენზინის და სხვა ქიმიური ნივთიერებების სიახლოვეს.

გარემოს დაცვა



არ მოახდინოთ ელექტრული მოწყობილობის, დამტენის და აკუმულატორის / მისი ბატარეების მოთავსება საყოფაცხოვრებო ნაგავში! მიუტანეთ ისინი ავტორიზირებულ ნარჩენების გადამამუშავებელს და მოახდინეთ ასეთი ნარჩენის განცალკევებულად შეგროვება. ელექტრული ხელსაწყოები უნდა ჩაბარდეს ნარჩენების გადამამუშავებელ ორგანოს გარემოს დაცვის ნორმების გათვალისწინებით.

გაუმართაობის დიაგნოსტიკა

| პრობლემა | მიზეზი | გადაჭრის გზა |
|-----------------------------------|---|--|
| სათიბი არ ირთვება. | <ul style="list-style-type: none"> აკუმულატორი არ არის შეერთებული სათიბზე. სათიბსა და აკუმულატორს შორის არ არის ელექტრული კონტაქტი. აკუმულატორი დაცლილია. ჩამკეტი ბერკეტი და ტრიგერი ერთდროულად არაა აქტივირებული. | <ul style="list-style-type: none"> დაამაგრეთ აკუმულატორი სათიბ ხელსაწყოზე. მოხსენით აკუმულატორი, შეამოწმეთ კონტაქტები და კვლავ მოათავსეთ იგი უკან. დატენეთ აკუმულატორი. დააჭირეთ ჩამკეტ ბერკეტს და გააჩერეთ ამ მდგომარეობაში, შემდეგ დააჭირეთ თითო ტრიგერს რათა ჩართოთ სათიბი. |
| სათიბი ითიშება მუშაობის პროცესში. | <ul style="list-style-type: none"> დამცავი ეკრანი არაა დამონტაჟებული სათიბზე, რის გამოც სათიბი ძუა არის უზომოდ გრძელი და მოტორი იტვირთება. მძიმე სათიბი ძუა არის გამოყენებული. მოტორის ტარი ან სათიბის თავი ბალახშია გახლართული. მოტორი არის გადატვირთული. აკუმულატორი ან სათიბი ზედმეტად გაცხელებულია. აკუმულატორი მოხსნილია ხელსაწყოდან. აკუმულატორი დაცლილია. | <ul style="list-style-type: none"> მოხსენით აკუმულატორი და დაამონტაჟეთ დამცავი ეკრანი სათიბზე. გამოიყენეთ სტანდარტული ნეილონის სათიბი ძუა, არაუმეტეს 2.0 მმ დიამეტრის სისქით, გამორთეთ სათიბი, მოხსენით აკუმულატორი, მოაცილეთ ბალახი მოტორის სახელურს და სათიბის თავაკს. მოაცილეთ სათიბის თავაკი ბალახს, მოტორი გააგრძელებს ჩვეულ მოშაობას როგორც კი დატვირთვა მოიხსნება. თიბვის პროცესში ჩაწიეთ და ამოწიეთ სათიბის თავაკი ბალახიდან და არ მოჭრათ 20 სმ-ზე მეტი სიგრძის ბალახი ერთ ჯერზე. აცალეთ სათიბს ან აკუმულატორს გაგრილება 67°C-ის ქვევით. ხელახლა ჩასვით აკუმულატორი. დატენეთ აკუმულატორი. |

KA

| პრობლემა | მიზეზი | გადაჭრის გზა |
|--|---|--|
| სათიბის თავაკი არ უშვებს ძუას. | <ul style="list-style-type: none"> ■ მოტორის ტარი ან სათიბის თავი ბალახშია გახლართული. ■ კოჭაზე არასაკმარისი ოდენობის ძუა არის დარჩენილი. ■ სათიბის თავაკი ჭუჭყიანია. ■ კოჭაზე ძუა გადახლართულია. ■ ძუა საკმარისზე მოკლეა. | <ul style="list-style-type: none"> ■ გამორთეთ სათიბი, მოხსენით აკუმულატორი, მოაცილეთ ბალახი მოტორის სახელურს და სათიბის თავაკს. ■ მოხსენით აკუმულატორი და შეცვალეთ სათიბი ძუა; მიჰყევით ინსტრუქციაში მოცემულ სექციას „ძუის გამოცვლა“. ■ მოხსენით აკუმულატორი და გაწმინდეთ კოჭის დამჭერი, კოჭა და კოჭის ფუძე. ■ მოხსენით აკუმულატორი, გაშალეთ და ხელახლა დაახვიეთ სათიბი ძუა; მიჰყევით ინსტრუქციაში მოცემულ სექციას „ძუის გამოცვლა“. ■ მოხსენით აკუმულატორი და მოქაჩეთ ძუის წვერებზე, თან შიგადაშიგ დააწექით და აუშვით ხელი თავაკზე არსებულ ბუნისკს. |
| ბალახი ეხვევა სათიბის თავაკს და მოტორის ბუდეს. | <ul style="list-style-type: none"> ■ მაღალი ბალახის ჭრა ძირში. | <ul style="list-style-type: none"> ■ მოჭერით მაღალი ბალახი წვეროდან დაბლა, არ მოჭრათ 20 სმ-ზე მეტი სიგრძის ბალახი ერთ ჯერზე, რათა აარიდოთ თავი ბალახის დახვევას. |
| ძუა არ ჭრის სათანადოდ. | <ul style="list-style-type: none"> ■ დამცავ ეკრანის კიდესთან მდებარე სათიბის დანა დაჩლუნგდა. | <ul style="list-style-type: none"> ■ გალესეთ სათიბის დანა ქლიბის საშუალებით ან ახალი დანა დაამონტაჟეთ. |

გარანტია

EGO-ს გარანტიის მომსახურების წესი

გთხოვთ ეწვიოთ ვებ-გვერდს egopowerplus.com, რათა მიიღოთ EGO-ს საგარანტიო მომსახურების სრული დადგენილებები და პირობები.

KA

PROČITAJTE SVA UPUTSTVA!



PROČITAJTE PRIRUČNIK ZA RUKOVAOČA

⚠ UPOZORENJE: Rezidualni rizik! Osobe sa elektronskim uređajima, poput pejsmejkera, treba da konsultuju svog lekara (svoje lekare) pre upotrebe ovog proizvoda. Rukovanje električnom opremom u neposrednoj blizini srčanog pejsmejkera moglo bi da izazove smetnje ili otkazivanje pejsmejkera.



Sigurnosno upozorenje



Nosite zaštitu za oči - uvek nosite sigurnosne naočare sa bočnim štitnicima i masku za celo lice kad rukujete ovim proizvodom.



Nosite zaštitu za uši - uvek nosite zaštitu za uši kad rukujete ovim proizvodom.



Nosite zaštitu za glavu - nosite odobreni sigurnosni šlem da biste zaštitili glavu.



Ne instalirajte okrugle noževe za sečenje.



Širina - maksimalna širina sečenja trimera sa strunom



Osigurajte da drugi ljudi i kućni ljubimci budu udaljeni najmanje 15 m od trimera kada je u upotrebi.



Ovaj proizvod je u skladu sa primenjivim EC direktivama.



Otpadne električne proizvode ne bi trebalo odlagati zajedno sa otpadom iz domaćinstva. Odnosite ih u ovlašćeni pogon za reciklažu.

V Voltaža

.../min U minutu

kg Kilogram

SIGURNOSNI SIMBOLI

⚠ UPOZORENJE: Rukovanje svakim električnim alatom može da dovede do izbacivanja stranih tela ka očima, što može da dovede do ozbiljnog oštećenja očiju. Pre započinjanja rada sa električnim alatom, uvek stavite sigurnosne naočare sa bočnim štitnicima ili po potrebi masku za celo lice. Preporučujemo sigurnosnu masku Wide Vision za upotrebu preko naočara ili standardnih sigurnosnih naočara sa bočnim štitnicima.



Da bi smanjio rizik od povreda, korisnik mora pročitati priručnik za rukovaoca.



Nosite sigurnosnu obuću - nosite sigurnosnu obuću koja se ne klize kad koristite ovu opremu.



Nosite zaštitne rukavice - zaštitite ruke rukavicama kada rukujete nožem ili štittnikom noža.



Čuvajte se odbijanja noža - upozorite rukovaoca na opasnosti od odbijanja noža.



Prečnik - prečnik najlonske strune za sečenje



Izbačeni predmeti se mogu odbiti i izazvati telesnu povredu ili oštetiti imovinu. Osigurajte da drugi ljudi i kućni ljubimci budu udaljeni od trimera kada je u upotrebi.



Ne koristite po kiši i ne ostavljajte napolju dok pada kiša.



Ovaj proizvod je u skladu sa primenjivim zakonima u UK.



Garantovan nivo jačine zvuka. Emisija buke u okruženju prema Direktivi Evropske zajednice.

n_0

Brzina bez opterećenja-Rotaciona brzina, bez opterećenja



Jednosmerna struja

SR

SPECIFIKACIJE

| | | |
|--|-------------------------------------|--|
| Voltaža | 56 V --- | |
| Brzina bez opterećenja | Veća: 6500 /min Manja: 5200 /min | |
| Mehanizam sečenja | Izbočena glava | |
| Tip strune za sečenje | 2,0 mm najlonska upletena struna | |
| Širina sečenja | 33 cm | |
| Preporučena radna temperatura | 0°C-40°C | |
| Preporučena temperatura skladištenja | -20°C-70°C | |
| Težina (bez baterije) | 2,76 kg | |
| Izmereni nivo jačine zvuka L_{WA} | 92,1 dB(A) K=1,6 dB(A) | |
| Maks. nivo zvučnog pritiska kod uha rukovaoca L_{PA} | 72,6 dB(A) K=2,5 dB(A) | |
| Garantovan nivo jačine zvuka L_{WA} (prema 2000/14/EC) | 94 dB(A) | |
| Procena vibracije a_h | Prednja drška | 3,3 m/s ² K=0,9 m/s ² |
| | Zadnja drška | 1,9 m/s ² K=1,5 m/s ² |

- Deklarisana ukupna vrednost vibracije je izmerena u skladu sa standardnim metodom testiranja i može se koristiti za upoređivanje jednog alata sa drugim;
- Deklarisana ukupna vrednost vibracije može se koristiti i u preliminarnoj proceni izlaganja.

NAPOMENA: Emisija vibracija tokom stvarne upotrebe električnog alata može da se razlikuje od deklarisanе vrednosti u kojoj se alat koristi. Da bi se rukovalac zaštitio, korisnik bi trebalo da nosi rukavice i štitnike za uši u stvarnim uslovima korišćenja.

POPIS PAKOVANJA (SI. A1)

OPIS

UPOZNAJTE TRIMER SA STRUNOM (SI. A1)

1. Okidač
2. Zadnja drška
3. Poluga za zaključavanje
4. Prekidač za podešavanje brzine
5. Meki naglavak
6. Podesiva prednja pomoćna drška

7. Glava trimera (izbočena glava)
8. Izbočeno dugme
9. Nož za sečenje strunom
10. Štitnik
11. Mehanizam izbacivanja
12. Električni kontakti
13. Reza
14. Dugme za otključavanje baterije

SKLAPANJE

RASKLAPANJE OSOVINE

⚠ UPOZORENJE: Ne držite osovinu za zglobove da biste izbegli štipanje šaka ili prstiju.

⚠ UPOZORENJE: Ne pokušavajte da pokrenete trimer dok osovina ne bude zaključana. Nežno rasklopite osovinu, vodeći računa da kabl bude unutar osovine, i zaključajte je pomoću dva vijka koristeći priloženi ključ (Slika B1 i B2).

MONTIRANJE ŠTITNIKA

Poravnajte montažne rupe štitnika sa rupama na sklopu pa zatim zaključajte štitnik na bazu vratila pomoću dva vijka. Proverite da li je štitnik fiksiran prema SI. C, svako obrnuto fiksiranje će izazvati veliku opasnost!

MONTIRANJE I PODEŠAVANJE PREDNJE POMOĆNE DRŠKE

Gurnite prednju pomoćnu dršku na vratilo (SI. E), zatim umetnite spojni blok u prorez na drški (SI. F), montirajte šipku za zaključavanje, zaključajte ih leptir vijkom (SI. G). Redosled je prikazan na SI. D. Na kraju, podesite položaj prednje pomoćne drške da biste bili sigurni da vam je prednja ruka ispružena kad koristite trimer (SI. H) a zatim zaključajte polugu šipke za zaključavanje (SI. I).

Opis delova sa SI. D i H pogledajte ispod:

| | | | |
|-----|------------------------|-----|----------------------|
| D-1 | Prednja pomoćna drška | D-4 | Leptir vijak |
| D-2 | Šipka za zaključavanje | H-1 | Meki naglavak |
| D-3 | Spojni blok | H-2 | Nalepnica upozorenja |

NAPOMENA: Prednja pomoćna drška treba da bude okrenuta nagore i usmerena prema gornjem delu drške.

⚠ UPOZORENJE: Prednju pomoćnu dršku fiksirajte isključivo ispred mekog naglavka na vratilu.

⚠ UPOZORENJE: Alat se ne može koristiti ako prednja pomoćna drška nije pouzdano fiksirana.

SR

RUKOVANJE

⚠ UPOZORENJE: Ne dozvolite da zbog poznavanja ovog proizvoda postanete nemarni. Zapamtite da je delić sekunde nepažnje dovoljan da nanese ozbiljnu povredu.

⚠ UPOZORENJE: Uvek nosite zaštitne naočare za bočnim štitnicima i zaštitu za sluh. Nepridržavanje toga može dovesti do predmeta izbačenih prema očima i drugih ozbiljnih povreda.

⚠ UPOZORENJE: Ne koristite nikakve dodatke ili pribor koje nije preporučio proizvođač ovog proizvoda. Upotreba dodataka ili pribora koji nisu preporučeni može da dovede do ozbiljne telesne povrede.

⚠ UPOZORENJE: Trimer sa strunom opremljen odgovarajućom strunom za sečenje koristite samo za sečenje trave i sličnog materijala.

Možete koristiti ovaj proizvod za svrhe navedene ispod:

Trimovanje: koristi se za uklanjanje trave i korova pored zidova, ograda, drveća i međa.

Sečenje: koristi se za sečenje trave koju je teško dosegnuti koristeći normalnu kosilicu.

NAPOMENA: Alat treba koristiti samo za propisanu svrhu. Svaka druga upotreba, na primer trimovanje ivica, smatra se slučajem zloupotrebe.

SPAJANJE/ODVAJANJE BATERIJE

Potpuno napunite pre prve upotrebe.

Koristite samo sa baterijama i punjačima navedenim na slici A2.

Za spajanje

Poravnajte rebra baterije sa prorezima za montiranje i pritisnite bateriju nadole dok ne čujete „klik“ (Sl. J).

Za odvajanje

Pritisnite dugme za otključavanje baterije i izvucite bateriju kako je prikazano na Sl. K.

DRŽANJE TRIMERA SA STRUNOM

⚠ UPOZORENJE: Obucite se prikladno da biste smanjili rizik od povrede dok koristite ovaj alat. Ne nosite labavu odeću ili nakit. Nosite zaštitne naočare i zaštitu uva/slaha. Nosite dugačke radne pantalone, duboke cipele i rukavice. Ne nosite kratke pantalone, sandale, papuče i ne radite bos.

Pre rukovanja, uhvatite trimer sa obe ruke; jedna ruka je na zadnjoj drški a druga ruka, koja treba da bude ispružena, je na prednjoj pomoćnoj drški (Sl. L). Zatim proverite

balansiran položaj nogu i pravilnu udaljenost sečenja bez saginjanja rukovaoca.

POKRETANJE/ZAUSTAVLJANJE TRIMERA SA STRUNOM

Za pokretanje

Pritisnite nadole polugu za zaključavanje i držite je u toj poziciji. Pritisnite okidač da uključite trimer sa strunom kako je prikazano na Sl. M.

Za zaustavljanje

Pustite polugu za zaključavanje i okidač.

NAPOMENA: Motor ima dve brzine za sečenje, položaj „1“ za manju brzinu i položaj „2“ za veću brzinu, kako prikazuje Sl. M. Jednostavno gurnite prekidač za podešavanje brzine u odgovarajući položaj tokom sečenja.

Opis delova sa Sl. M pogledajte ispod:

| | |
|-----|-----------|
| M-1 | Položaj 1 |
| M-2 | Položaj 2 |

⚠ UPOZORENJE: Uvek izvadite bateriju iz trimera tokom pauza u radu i posle završetka rada.

KORIŠĆENJE TRIMERA SA STRUNOM

⚠ UPOZORENJE: Da biste izbegli ozbiljne telesne povrede, uvek nosite sigurnosne naočare sa bočnim štitnicima ili sigurnosne naočare kad rukujete ovom jedinicom. Nosite masku za lice ili masku za prašinu na prašnjavim mestima.

Očistite područje na kojem ćete seći pre svake upotrebe. Uklonite sve predmete poput kamenja, razbijenog stakla, eksera, žica ili strune koji bi mogli biti izbačeni ili zakačeni dodatkom za sečenje. Uklonite decu, prolaznike i kućne ljubimce iz područja gde ćete raditi. U najmanju ruku, držite svu decu, prolaznike i ljubimce na udaljenosti od najmanje 15 m; i dalje može postojati rizik po posmatrača od izbačenih predmeta. Posmatrača bi trebalo podstaći da nose zaštitne naočare. Ako vam neko priđe, odmah zaustavite motor i dodatak za sečenje.

Pre svake upotrebe proverite da li ima oštećenih/pohabanih delova.

Proverite izbočenu glavu, štitnik i prednju pomoćnu dršku i zamenite delove koji su naprsli, iskrivljeni, savijeni ili na bilo koji način oštećeni.

Nož za sečenje strunom na ivici štitnika može vremenom da se istupi. Preporučuje se da ga periodično naoštrite turpijom ili da ga zamenite novim nožem.

⚠ UPOZORENJE: Uvek nosite rukavice kad montirate štitnik ili oštrite ili zamenjujete nož. Pazite na nož na štitniku i zaštitite šaku od posekotine.

Nakon svake upotrebe, očistite trimmer.

⚠ OPREZ: Začepljenje otvora će sprečiti protok vazduha u kucište motora i dovešće do pregrevanja ili oštećenja motora.

- Koristite samo blag sapun i vlažnu krpu da čistite alat. Nikad ne dozvolite da neka tečnost uđe u alat; nikad ne potapajte nijedan deo alata u tečnost.
- Uvek održavajte otvore za vazduh u kucištu motora bez prljavštine.

⚠ UPOZORENJE: Nikad ne koristite vodu za čišćenje trimera. Izbegavajte korišćenje rastvarača kada čistite plastične delove. Većina plastike je podložna oštećenjima od raznih tipova komercijalnih rastvarača. Koristite čiste krpe da uklonite zemlju, prašinu, ulje, masnoću itd.

PODEŠAVANJE DUŽINE STRUNE ZA SEČENJE

Izbočena glava omogućava rukovaocu da otpusti još strune za sečenje bez zaustavljanja motora. Kako struna postaje iskrzana ili pohabana, još strune se može otpustiti laganim tapkanjem izbočenog dugmeta o tlo tokom rukovanja trimerom (Sl. N).

NAPOMENA: Otpuštanje strune postaće teže kako struna za sečenje postaje kraća.

⚠ UPOZORENJE: Ne uklanjajte niti prepravljajte sklop noža za sečenje strunom. Prekomerna dužina strune će izazvati pregrevanje motora i može da dovede do ozbiljnih telesnih povreda.

ZAMENA STRUNE

NAPOMENA: Uvek koristite preporučenu najlonsku strunu za sečenje prečnika koji ne prelazi 2,0 mm. Korišćenje neke druge strune osim one koja je navedena može da izazove pregrevanje ili oštećenje trimera.

⚠ UPOZORENJE: Nikad ne koristite strunu ojačanu metalom, žicu, kanap itd. Oni se mogu otkinuti i postati opasni projektili.

Postoje dva metoda zamene strune za sečenje:

1. Namotajte novu strunu na kalem.
2. Instalirajte unapred namotani kalem (AS1302, ako je neophodno, dostupan kod prodavca).

Namotajte novu strunu na kalem

Pritisnite dva jezička za otključavanje na osnovi kalema i izvucite držač kalema napolje (Sl. O). Izvadite približno 5 m strune za sečenje prečnika 2,0 mm. Smotajte je i namotajte je na kalem kako prikazuju Sl. P i Q. Zatim postavite krajeve strune kroz dva naspramna ureza na kalemu (Sl. R) i postavite kalem na njegov držač sa urezima poravnatim sa rupicama držača (Sl. T). Na kraju, poravnajte proreze držača sa jezičcima na osnovi kalema i pritisnite držač ravnomerno nadole, osiguravajući da škljocne na svoje mesto (Sl. S).

NAPOMENA: Uvek očistite držač kalema, kalem i osnovu kalema pre ponovnog sklapanja glave trimera. Proverite da li su držač kalema, kalem i osnova kalema pohabani. Ako je neophodno, zamenite pohabane delove.

NAPOMENA: Ako ne namotate strunu u označenom smeru, to će izazvati nepravilan rad glave trimera.

Instalirajte unapred namotani kalem

Pritisnite dva jezička za otključavanje na osnovi kalema i izvucite držač kalema napolje (Sl. O). Zatim postavite unapred namotani kalem u držač, sa urezima poravnatim sa rupicama držača (Sl. T). Na kraju, poravnajte proreze držača sa jezičcima na osnovi kalema i pritisnite držač ravnomerno nadole, osiguravajući da škljocne na svoje mesto (Sl. S).

Opis delova sa Sl. S i T pogledajte ispod:

| | | | |
|-----|---------|-----|--------|
| S-1 | Jezičak | T-1 | Urez |
| S-2 | Prorez | T-2 | Rupica |

NAPOMENA: Vodite računa da jezički na osnovi kalema škljocnu na svoje mesto ili će kalem ispasti tokom rada.

ODRŽAVANJE

⚠ UPOZORENJE: Tokom servisiranja, koristite samo identične rezervne delove. Redovno pregledajte i održavajte mašinu. Da bi se osigurala sigurnost i pouzdanost, sve popravke treba da radi kvalifikovani servisni tehničar.

⚠ UPOZORENJE: Alati na baterije ne moraju da budu uključeni u utičnicu; oni su stoga uvek u radnom stanju. Da biste sprečili ozbiljne telesne povrede, budite veoma oprezni i pažljivi kad radite održavanje, servisiranje ili kad menjate dodatak za sečenje ili druge dodatke.

⚠ UPOZORENJE: Da biste sprečili ozbiljne telesne povrede, izvadite bateriju iz alata pre servisiranja, čišćenja, menjanja dodataka ili skidanja materijala sa jedinice.

ČIŠĆENJE JEDINICE

- Očistite jedinicu vlažnom krpom i blagim deterdžentom.
- Ne koristite jake deterdžente na plastičnom kućištu i drški. Mogu ih oštetiti određena aromatična ulja, poput bora i limuna, i rastvarači poput kerozina. Vлага može da izazove i opasnost od strujnog udara. Obrišite svu vlagu mekom suvom krpom.
- Pomoću male četke ili ispuštanja vazduha kroz četku malog usisivača očistite otvore za vazduh na zadnjoj strani kućišta.

SKLADIŠTENJE JEDINICE

- Izvadite bateriju iz trimera sa strunom kad nije u upotrebi.
- Temeljno očistite alat pre no što ga uskladištite.
- Skladištite jedinicu na suvom, dobro provetrenom mestu, zaključanu ili na visini, van domašaja dece. Ne skladištite jedinicu na ili pored đubriva, benzina ili drugih hemikalija.

Zaštita životne sredine



Ne odlažite električnu opremu, potrošene baterije i punjače u kućni otpad! Odnosite ovaj proizvod u ovlašćeni pogon za reciklažu ili ga odvojite od ostalog smeća radi zasebnog prikupljanja. Električni alati moraju se odneti u ekološki prihvatljiv pogon za reciklažu.

REŠAVANJE PROBLEMA

| PROBLEM | UZROK | REŠENJE |
|--|--|--|
| Trimer sa strunom neće da se uključi. | <ul style="list-style-type: none"> ■ Baterija nije spojena na trimera sa strunom. ■ Nema električnog kontakta između trimera i baterije ■ Baterija je prazna. ■ Poluga za zaključavanje i okidač nisu pritisnuti istovremeno. | <ul style="list-style-type: none"> ■ Spojite bateriju na trimera sa strunom. ■ Izvadite bateriju, proverite kontakte i ponovo instalirajte bateriju. ■ Napunite bateriju. ■ Pritisnite nadole polugu za otključavanje i držite je, zatim pritisnite okidač da biste uključili trimera sa strunom. |
| Trimer sa strunom se isključuje tokom sečenja. | <ul style="list-style-type: none"> ■ Štitnik nije montiran na trimera, dovodeći do predugačke strune za sečenje i preopterećenja motora. ■ Koristi se debela struna za sečenje. ■ Vratilo motora ili glava trimera su se upetljali u travu.. ■ Motor je preopterećen. ■ Baterija ili trimera sa strunom su prevrući. ■ Baterija se odvojila od alata. ■ Baterija je prazna. | <ul style="list-style-type: none"> ■ Izvadite bateriju i montirajte štitnik na trimera. ■ Koristite standardnu najlonsku strunu za sečenje prečnika ne većeg od 2,0 mm. ■ Zaustavite trimera, izvadite bateriju i uklonite travu sa vratila motora i glave trimera. ■ Izvadite glavu trimera iz trave. Motor će se ponovo pokrenuti čim opterećenje bude uklonjeno. Kad sečete, pomerajte glavu trimera unutra i napolje trave koju treba iseći i ne uklanjajte više od 20 cm dužine u jednom sečenju. ■ Ostavite bateriju ili trimera da se hlade dok temperatura ne padne ispod 67 °C. ■ Ponovo instalirajte bateriju. ■ Napunite bateriju. |
| Glava trimera neće da uvlači strunu. | <ul style="list-style-type: none"> ■ Vratilo motora ili glava trimera su se upetljali u travu. ■ Nema dovoljno strune na kalemu. ■ Glava trimera je prijava. ■ Struna se zapetljala na kalemu. ■ Struna je prekratka. | <ul style="list-style-type: none"> ■ Zaustavite trimera, izvadite bateriju i uklonite travu sa vratila motora i glave trimera. ■ Izvadite bateriju i zamenite strunu za sečenje; pratite odeljak „ZAMENA STRUNE“ u ovom priručniku. ■ Izvadite bateriju i očistite kalem, držač kalema i osnovu kalema. ■ Izvadite bateriju, skinite strunu sa kalema i ponovo je namotajte; pratite odeljak „ZAMENA STRUNE“ u ovom priručniku. ■ Izvadite bateriju i vucite strune dok naizmenično pritisnete nadole i puštate ispušeno dugme. |

| PROBLEM | UZROK | REŠENJE |
|--|--|---|
| Trava se omotala oko glave trimera i kućišta motora. | <ul style="list-style-type: none">■ Sečenje visoke trave na nivou tla. | <ul style="list-style-type: none">■ Secite visoku travu odozgo nadole, uklanjajući ne više od 20 cm u svakom prolasku da biste sprečili omotavanje. |
| Struna ne seče dobro. | <ul style="list-style-type: none">■ Nož za sečenje strunom na ivici štitnika se istupio. | <ul style="list-style-type: none">■ Naoštrite nož za sečenje strunom pomoću turpije ili ga zamenite novim nožem. |

GARANCIJA

EGO POLITIKA GARANCIJE

Posetite veb-lokaciju egopowerplus.com za potpune uslove i odredbe EGO politike garancije.

PROČITAJTE UPUTSTVO U CIJELOSTI!



PROČITAJTE KORISNIČKI PRIRUČNIK.

! UPOZORENJE! Preostale opasnosti! Osobe s elektroničkim uređajima poput srčanih elektrostimulatora prije upotrebe ovog proizvoda trebaju se posavjetovati sa svojim ljekarom. Rad električne opreme u neposrednoj blizini srčanih elektrostimulatora može uzrokovati smetnju ili kvar srčanog elektrostimulatora.



Simbol upozorenja



Nosite zaštitu za oči. - Kada upotrebljavate ovaj proizvod, uvijek nosite zatvorene zaštitne naočale ili zaštitne naočale s bočnim štitnicima i štitnik za cijelo lice.



Nosite zaštitu za sluh. - Kada rukujete ovim proizvodom, uvijek nosite zaštitu za sluh.



Nosite zaštitu za glavu. - Radi zaštite glave nosite odobrenu sigurnosnu kacigu.



Nemojte postavljati zaobljene rezne noževe.



Širina - Maks. širina rezanja trimera s reznom niti



Pobrinite se da druge osobe i kućni ljubimci ostanu na udaljenosti od najmanje 15 m od trimera s reznom niti tokom upotrebe.



Ovaj proizvod je u skladu s primjenjivim Direktivama EU.



Otpadni električni proizvodi ne smiju se odlagati s otpadom iz domaćinstva. Odnosite ih u ovlaštenu centar za reciklažu.

V Napon

.../min U minuti

kg Kilogram

SIGURNOSNI SIMBOLI

! UPOZORENJE! Rukovanje električnim alatima može rezultirati odbacivanjem stranih predmeta u oči, što opet može izazvati teška oštećenja očiju. Prije početka rukovanja električnim alatom, uvijek nosite zatvorene zaštitne naočale ili zaštitne naočale s bočnim štitnicima, a prema potrebi i štitnik za cijelo lice. Preporučujemo nošenje sigurnosne maske proizvođača Wide Vision preko naočala, ili nošenje standardnih zaštitnih naočala s bočnim štitnicima.



Radi smanjenja opasnosti od povreda, korisnik treba pročitati korisnički priručnik.



Nosite sigurnosnu obuću. - Kada upotrebljavate ovu opremu nosite neklizajuću sigurnosnu obuću.



Nosite zaštitne rukavice. - Kada rukujete nožem i štitnikom noža zaštitite ruke rukavicama.



Čuvajte se povratnog udara noža. - Upozorite rukovaoca na opasnost od povratnog udara noža.



Prečnik - Prečnik najlonske rezne niti



Odbačeni predmeti mogu odskočiti i rezultirati tjelesnim povredama ili materijalnom štetom. Pobrinite se da druge osobe i kućni ljubimci ostanu podalje od čistača šikare tokom upotrebe.



Uređaj nemojte upotrebljavati na kiši ili nemojte ga ostavljati na otvorenom kada pada kiša.



Ovaj proizvod je u skladu s važećim zakonodavstvom Ujedinjenog Kraljevstva.



Zagarantovani nivo zvučne snage. Emisija buke u okruženju u skladu je s Direktivom Evropske unije.

n_0

Brzina vrtnje bez opterećenja-Brzina okretanja, bez opterećenja



Istosmjerna struja

BS

TEHNIČKI PODACI

| | | |
|--|---------------------------------------|--|
| Napon | 56 V $\overline{\text{---}}$ | |
| Brzina vrtnje bez opterećenja | Visoka: 6500 /min Niska: 5200 /min | |
| Rezni mehanizam | Rezna glava | |
| Vrsta rezne niti | Najlonska rezna nit 2,0 mm | |
| Širina rezanja | 33 cm | |
| Preporučena radna temperatura | 0°C-40°C | |
| Preporučena temperatura skladištenja | -20°C-70°C | |
| Masa (bez kompleta baterija) | 2,76 kg | |
| Izmjereni nivo zvučne snage L_{WA} | 92,1 dB(A) K=1,6 dB(A) | |
| Maks. nivo zvučnog pritiska kod uha rukovaoca L_{PA} | 72,6 dB(A) K=2,5 dB(A) | |
| Zagarantovani nivo zvučne snage L_{WA} (u skladu s Direktivom 2000/14/EZ) | 94 dB(A) | |
| Procjena vibracija a_h : | Prednji rukohvat | 3,3 m/s ² K=0,9 m/s ² |
| | Stražnji rukohvat | 1,9 m/s ² K=1,5 m/s ² |

- Deklarisane ukupne vrijednosti vibracija izmjerene su u skladu sa standardnom metodom ispitivanja i mogu se primjenjivati za poređenje jednog alata s drugim.
- Deklarisane ukupne vrijednosti vibracija mogu se primjenjivati i u preliminarnoj procjeni izloženosti.

NAPOMENA! Emisija vibracija tokom aktualne upotrebe električnog alata može se razlikovati od deklarirane vrijednosti u kojoj se alat upotrebljavao; Korisnik radi zaštite treba nositi rukavice i štitnike za uši u aktualnim uslovima upotrebe.

LISTA PAKOVANJA (SI. A1)

OPIS

UPOZNAJTE SVOJ TRIMER S REZOM NITI (SI. A1)

1. Okidač
2. Stražnji rukohvat
3. Ručica za deblokadu
4. Prekidač za podešavanje brzine

BS

5. Mekani naglavak
6. Podesivi prednji pomoćni rukohvat
7. Glava trimera (rezna glava)
8. Udarno dugme
9. Nož za rezanje rezne niti
10. Štitnik
11. Mehanizam za izbacivanje
12. Električni kontakti
13. Bravica
14. Dugme za oslobađanje baterije

SASTAVLJANJE

OTKLAPANJE DRŠKE

UPOZORENJE! Dršku nemojte držati na spojevima kako biste izbjegli priklještenje ruku ili prstiju.

UPOZORENJE! Nemojte pokušavati pokretati trimer dok ne završite dršku. Dršku otklopite nježno, vodeći računa da kabel bude u njoj i završite je dvama vijcima pomoću priloženog ključa (sl. B1 i B2)..

POSTAVLJANJE ŠTITNIKA

Poravnajte montažne provrte na štitniku s montažnim provrtima i štitnik zatim pričvrstite na kucište drške s dva vijka. Uvjerite se da je štitnik pričvršćen u skladu sa sl. C. Svako obrnuto pričvršćivanje izazvat će veliku opasnost!

POSTAVLJANJE I PODEŠAVANJE PREDNJEG POMOĆNOG RUKOHVATA

Prednji pomoćni rukohvat gurnite na dršku (sl. E), a zatim umetnite stezni blok u utor rukohvata (sl. F), postavite blokirni klin i završite ga s krilnom maticom (sl. G). Redoslijed je prikazan na sl. D. Na kraju podesite položaj prednjeg pomoćnog rukohvata kako biste osigurali da vam prednja ruka bude ispružena pri upotrebi trimera (sl. H), a zatim završite ručicu blokirnog klina (sl. I).

Opis dijelova na sl. D i H pogledajte u nastavku:

Fig. D & H parts description see below:

| | | | |
|-----|--------------------------|-----|-----------------------|
| D-1 | Prednji pomoćni rukohvat | D-4 | Krilna matica |
| D-2 | Blokirni klin | H-1 | Mekani naglavak |
| D-3 | Stezni blok | H-2 | Naljepnica upozorenja |

NAPOMENA! Prednji pomoćni rukohvat potrebno je okrenuti prema gore kako bi bio usmjeren prema gornjoj strani rukohvata.

⚠ UPOZORENJE! Prednji pomoćni rukohvat pričvršćujte samo ispred mekanog naglavka na dršci.

⚠ UPOZORENJE! Alat se ne smije upotrebljavati ako prednji pomoćni rukohvat nije dobro pričvršćen.

RAD

⚠ UPOZORENJE! Nemojte dozvoliti da vas poznavanje ovog proizvoda učini nepažljivim. Imajte na umu da je za nanošenje teških povreda dovoljan samo djelić sekunde nepažnje.

⚠ UPOZORENJE! Uvijek nosite zaštitne naočale s bočnim štitnicima, zajedno sa zaštitom za sluh. Nepostupanje u skladu s tim može rezultirati odbacivanjem predmeta u oči i drugim mogućim teškim povredama.

⚠ UPOZORENJE! Nemojte upotrebljavati priključke ili pribor koje nije preporučio proizvođač ovog proizvoda. Upotreba nepreporučenih priključaka ili pribora može rezultirati teškim tjelesnim povredama.

⚠ UPOZORENJE! Trimer s reznom niti upotrebljavajte opremljen s odgovarajućom reznom niti samo za rezanje trave i sličnog materijala.

Ovaj proizvod možete upotrebljavati za svrhe navedene u nastavku:

Šišanje: upotrebljava se za uklanjanje trave i korova uz zidove, ograde, drveće i granične elemente.

Rezanje: upotrebljava se za rezanje trave koju je teško dosegnuti normalnom kosilicom.

NAPOMENA! Alat se smije upotrebljavati samo za prethodno opisanu namjenu. Svaka druga upotreba, na primjer rubno šišanje, smatra se nepropisnom upotrebom.

POSTAVLJANJE/SKIDANJE KOMPLETA BATERIJA

Komplet baterija napunite prije prve upotrebe.

Upotrebljavajte samo s kompletima baterija i punjačima koji su navedeni na sl. A2.

Postavljanje

Poravnajte kontakte baterije s montažnim utorima i pritišćite komplet baterija prema dolje dok ne začujete zvuk "klikanja" (sl. J).

Skidanje

Pritisnite dugme za otpuštanje baterije i izvucite komplet baterija kako je prikazano na sl. K.

DRŽANJE TRIMERA S REZNO M NITI

⚠ UPOZORENJE! Obucite se propisno kako biste smanjili rizik od povreda tokom rukovanja alatom. Nemojte nositi široku odjeću ili nakit. Nosite zaštitu za oči i uši/sluh. Nosite robusne duge hlače, čizme i rukavice. Nemojte nositi kratke hlače, sandale ili biti bosonogi.

Prije rukovanja trimer držite objema rukama. Jednu ruku držite na stražnjem rukohvatu, a drugu ruku koja treba biti ispružena na prednjem pomoćnom rukohvatu (sl. L). Zatim provjerite držanje i ravnotežu i propisnu udaljenost za rezanje bez saginjanja.

POKRETANJE/ZAUSTAVLJANJE TRIMERA S REZNO M NITI

Pokretanje

Pritisnite ručicu za deblokadu i držite je u tom položaju. Pritisnite okidač za uključivanje trimera s reznom niti kako je prikazano na sl. M.

Zaustavljanje

Otpustite ručicu za deblokadu i okidač.

NAPOMENA! Motor ima dvije brzine za rezanje, položaj "1" za nižu brzinu i položaj "2" za višu brzinu, kako je prikazano na sl. M. Za odgovarajući položaj tokom rezanja jednostavno pritisnite prekidač za podešavanje brzine.

Opis dijelova na sl. M pogledajte u nastavku:

| | |
|-----|-----------|
| M-1 | Položaj 1 |
| M-2 | Položaj 2 |

⚠ UPOZORENJE! Komplet baterija uvijek izvadite iz trimera s reznom niti tokom pauza i nakon završetka radova.

UPOTREBA TRIMERA S REZNO M NITI

⚠ UPOZORENJE! Radi izbjegavanja tjelesnih povreda, uvijek nosite zatvorene zaštitne naočale ili zaštitne naočale kada radite s ovom jedinicom. U prašnjavim područjima nosite zaštitnu masku za lice ili masku za zaštitu od prašine.

Očistite radno područje prije svake upotrebe. Uklonite sve predmete poput kamenja, razbijenog stakla, eksera, žica ili niti koje trimer može odbaciti ili koji se mogu zaplesti u rezni priključak. Iz područja udaljite djecu, posmatrača i kućne ljubimce. Držite djecu, posmatrača i kućne ljubimce udaljene najmanje 15 m; za posmatrača čak i tada postoji opasnost od odbačenih predmeta. Posmatrača je potrebno zamoliti da nose zaštitu za oči. Ako vam neko prilazi, odmah zaustavite motor i rezni priključak.

Prije svake upotrebe provjerite ima li oštećenih/istrošenih dijelova.

Provjerite reznu glavu, štitnik i prednji pomoćni rukohvat i zamijenite dijelove koji su napukli, deformisani, savijeni ili oštećeni na bilo koji način.

Nož za rezanje rezne niti na rubu štitnika vremenom može postati tup. Preporučujemo povremeno oštrenje noža turpijom ili zamjenu noža.

⚠ UPOZORENJE! Pri postavljanju štitnika ili oštrenju ili zamjeni noža uvijek nosite rukavice. Pazite na nož na štitniku i zaštitite ruke od posjekotina.

Očistite trimmer nakon svake upotrebe.

OPREZ! Zapreke u ventilacijskim otvorima spriječit će protok zraka u kućište motora i rezultirati pregrijavanjem ili oštećenjem motora.

- Za čišćenje alata upotrebljavajte samo blagu sapunicu i vlažnu krpu. Nemojte nikada dozvoliti da tekućina dospije u alat i nemojte nikada uranjati dijelove alata u tekućinu.
- Zračne ventilacijske otvore u kućištu motora cijelo vrijeme održavate čistim od naslaga.

⚠ UPOZORENJE! Za čišćenje trimera nemojte nikada upotrebljavati vodu. Kada čistite plastične dijelove, izbjegavajte upotrebljavati rastvore. Mnoge plastike mogu se oštetiti različitim vrstama komercijalnih rastvora. Za uklanjanje prijavštine, prašine, ulja, masti i sl. upotrebljavajte čiste krpe.

PODEŠAVANJE DUŽINE REZNE NITI

Rezna glava rukovaocu omogućuje otpuštanje više rezne niti bez zaustavljanja motora. Ako se rezna nit pohaba ili istroši, laganim dodirivanjem udarnog dugmeta o tlo tokom rukovanja trimerom moguće je otpustiti više niti (sl. N).

NAPOMENA! Otpuštanje niti teže je kako se rezna nit skraćuje.

UPOZORENJE! Nemojte uklanjati sklop noža za rezanje rezne niti ili ne obavljajte preinake na njemu. Prevelika dužina niti uzrokovat će pregrijavanje motora što može rezultirati teškim tjelesnim povredama.

ZAMJENA REZNE NITI

NAPOMENA! Uvijek upotrebljavajte preporučenu najlonsku reznu nit prečnika ne većeg od 2,0 mm. Upotreba rezne niti drukčije od navedene može uzrokovati pregrijavanje ili oštećenje trimera.

⚠ UPOZORENJE! Nemojte nikada upotrebljavati metalom ojačane niti, žicu ili užu i sl. jer mogu se odlomiti i postati opasni projektili.

Postoje dva načina za zamjenu rezne niti:

1. Na kalem namotajte novu reznu nit.
2. Postavite prethodno namotan kalem (AS1302, ako je potrebno, dostupan u trgovinama).

Namotavanje nove rezne niti na kalem

Pritisnite i dva jezička za otpuštanje na kućištu kalema i izvucite držač kalema (sl. O). Izvucite oko 5 m rezne niti prečnika 2,0 mm. Savijte je i namotajte na kalem kako je prikazano na sl. P i Q. Zatim krajeve niti provucite kroz dva žlijeba u kalemu na suprotnim stranama (sl. R) i stavite kalem u njegov držač sa žlijevovima poravnatim s ušicama držača (sl. T). Na kraju poravnajte utore držača s jezičcima na kućištu kalema i pritisnite držač ravno prema dolje vodeći računa da čujno ulegne u svoje mjesto (sl. S).

NAPOMENA! Držač kalema, kalem i kućište kalema uvijek očistite prije ponovnog postavljanja glave trimera. Provjerite postoje li na držaču kalema, kalem i kućištu kalema tragovi istrošenosti. Ako je potrebno, zamijenite istrošene dijelove.

NAPOMENA! Nenamotavanje niti u navedenom smjeru uzrokovat će neispravan rad glave trimera.

Postavljanje prethodno namotanog kalema

Pritisnite i dva jezička za otpuštanje na kućištu kalema i izvucite držač kalema (sl. O). Prethodno namotani kalem zatim stavite u držač sa žlijevovima poravnatim s ušicama držača (sl. T). Na kraju poravnajte utore držača s jezičcima na kućištu kalema i pritisnite držač ravno prema dolje vodeći računa da čujno ulegne u svoje mjesto (sl. S).

Opis dijelova na sl. S i T pogledajte u nastavku:

| | | | |
|-----|---------|-----|--------|
| S-1 | Jezičak | T-1 | Žlijeb |
| S-2 | Utor | T-2 | Ušica |

NAPOMENA! Pobrinite se da jezičci na kućištu kalema čujno ulegnu u svoje mjesto jer će kalem u suprotnom ispasti tokom rada.

ODRŽAVANJE

⚠ UPOZORENJE! Kada obavljate radove servisiranja, upotrebljavajte samo identične zamjenske dijelove. Redovno obavljajte pregled i održavanje uređaja. Radi osiguranja sigurnosti i pouzdanosti, sve popravke treba obavljati kvalifikovani servisni tehničar.

⚠ UPOZORENJE! Baterijske alate nije potrebno uključivati u električnu utičnicu, stoga su uvijek u radnom stanju. Radi sprečavanja teških tjelesnih povreda poduzmite dodatne mjere opreza i budite oprezni kada obavljate radove održavanja, servisiranja ili zamjene reznog priključka ili drugih priključaka.

⚠ UPOZORENJE! Radi sprečavanja teških tjelesnih povreda, prije servisiranja, čišćenja, promjene priključaka ili uklanjanja materijala iz jedinice izvadite komplet baterija iz alata.

ČIŠĆENJE JEDINICE

- Jedinicu čistite vlažnom krpom i blagim deterdžentom.
- Za čišćenje plastičnog kucišta ili rukohvata nemojte upotrebljavati jake deterdžente jer mogu ih oštetiti neka aromatična ulja, kao što su borovo i limunovo ulje i rastvori kao što je kerozin. Vлага može izazvati opasnost od strujnog udara. Vlažna mjesta obrišite mekanom suhom krpom.
- Za čišćenje zračnih ventilacijskih otvora na stražnjem kucištu upotrebljavajte malu četku ili ispuštanje zraka iz male četke usisivača.

SKLADIŠTENJE JEDINICE

- Izvadite komplet baterija iz trimera s reznom niti kada ga ne upotrebljavate.
- Alat dobro očistite prije skladištenja.
- Jedinicu skladištite na suhom, dobro prozračenom mjestu koje je moguće zaključati ili koje je na visini izvan dohvata djece. Jedinicu nemojte skladištiti na gnojivima, benzinu ili drugim hemikalijama ili u njihovoj blizini.

Zaštita životne sredine



Električnu opremu, iskorištenu bateriju i punjač ne odlažite u kućni otpad! Ovaj proizvod odnesite u ovlašteni centar za reciklažu i time omogućite odvojeno sakupljanje. Električne alate potrebno je vratiti u ekološki prihvatljiv pogon za reciklažu.

OTKLANJANJE PROBLEMA

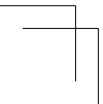
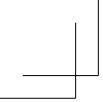
| PROBLEM | UZROK | RJEŠENJE |
|---|--|--|
| Trimer s reznom nije moguće pokrenuti. | <ul style="list-style-type: none"> ■ Komplet baterija nije pričvršćen na trimer s reznom niti. ■ Nema električnog kontakta između trimera i baterije. ■ Komplet baterija je ispražnjen. ■ Ručica za deblokadu i okidač ne pritišću se istovremeno. | <ul style="list-style-type: none"> ■ Pričvrstite komplet baterija na trimer s reznom niti. ■ Izvadite bateriju, provjerite kontakte i ponovo stavite komplet baterija. ■ Napunite komplet baterija. ■ Pritisnite ručicu za deblokadu i držite je pritisnutom, a zatim pritisnite okidač kako biste uključili trimer s reznom niti. |
| Trimer s reznom niti zaustavlja se tokom rezanja. | <ul style="list-style-type: none"> ■ Štitnik nije postavljen na trimer, što rezultira predugačkom reznom niti i preopterećenjem motora. ■ Upotrebljava se teška rezna nit. ■ Osovinu motora ili glavu trimera blokira trava. ■ Motor je preopterećen. ■ Komplet baterija ili trimer s reznom niti je previše vruć. ■ Komplet baterija je odspojen od alata. ■ Komplet baterija je ispražnjen. | <ul style="list-style-type: none"> ■ Izvadite komplet baterija i postavite štitnik na trimer. ■ Upotrebljavajte standardnu najlonsku reznu nit prečnika ne većeg od 2,0 mm. ■ Zaustavite trimer, izvadite bateriju i očistite travu s osovine motora i glave trimera. ■ Očistite glavu trimera od trave. Motor će se povratiti po uklanjanju opterećenja. Glavu trimera prilikom rezanja pomjerajte u travu i iz trave i jednim rezom ne uklanjajte više od 20 cm dužine. ■ Pričekajte da se komplet baterija ili trimer ohlade na temperaturu ispod 67 °C. ■ Ponovo stavite komplet baterija. ■ Napunite komplet baterija. |
| Glava trimera ne izvlači reznu nit. | <ul style="list-style-type: none"> ■ Osovinu motora ili glavu trimera blokira trava. ■ Na kalemu nema dovoljno rezne niti. ■ Glava trimera je zaprljana. ■ Rezna nit se zapetljala na kalem. ■ Rezna nit je prekratka. | <ul style="list-style-type: none"> ■ Zaustavite trimer, izvadite bateriju i očistite travu s osovine motora i glave trimera. ■ Izvadite bateriju i zamijenite reznu nit; slijedite uputstva u poglavlju "ZAMJENA REZNE NITI" u ovom uputstvu za upotrebu. ■ Izvadite bateriju i očistite kalem, držač kalema i kućiste kalema. ■ Izvadite bateriju, uklonite reznu nit iz kalema i ponovo je namotajte; slijedite uputstva u poglavlju "ZAMJENA REZNE NITI" u ovom uputstvu za upotrebu. ■ Izvadite bateriju i povucite rezne niti dok naizmjenično pritišćete i otpuštate udarno dugme. |

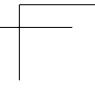
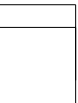
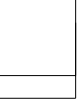
| PROBLEM | UZROK | RJEŠENJE |
|--|---|--|
| Trava se omotava oko glave trimera i kućišta motora. | <ul style="list-style-type: none">■ Visoka trava reže se od nivoa tla. | <ul style="list-style-type: none">■ Visoku travu režite odozgo prema dolje i pritom ne režite više od 20 cm u svakom prolazu kako biste izbjegli omotavanje. |
| Rezna nit ne reže dobro. | <ul style="list-style-type: none">■ Nož za rezanje rezne niti na rubu štitnika je tup.. | <ul style="list-style-type: none">■ Nož za rezanje rezne niti naoštrite turpijom ili ga zamijenite novim. |

GARANCIJA

POLITIKA GARANCIJE PROIZVOĐAČA EGO

Za sve odredbe i uslove politike garancije proizvođača EGO posjetite internetsku stranicu egopowerplus.com.





| المشكلة | السبب | الحل |
|---|---|---|
| تنتفخ الحشائش حول رأس الجزازة وهيكل المحرك. | ■ جز الحشائش الطويلة عند مستوى الأرض. ■ | ■ أقطع العشب الطويل من أعلى لأسفل، مع إزالة طول لا يزيد عن 20 سم في كل مرة لمنع التوقف العشب على أجزاء الآلة. |
| لا يتم قطع الخيط بشكل صحيح. | ■ أصبحت شفرة قطع الخيط الموجودة على حافة الواقي غير حادة. | ■ اشحذ شفرة قطع الخيط باستخدام مبرد أو استبدلها بشفرة جديدة. |

الضمان

سياسة ضمان EGO

تفضل بزيارة الموقع الإلكتروني egopowerplus.com للتعرف على الشروط والأحكام الكاملة الخاصة بسياسة ضمان EGO.

استكشاف الأخطاء وإصلاحها

| المشكلة | السبب | الحل |
|--|---|---|
| لا يمكن بدء تشغيل الجِزَازة العاملة بالخيوط. | <ul style="list-style-type: none"> مجموعة البطارية غير مركبة في الجِزَازة العاملة بالخيوط. لا يوجد اتصال كهربائي بين الجِزَازة والبطارية. نقد شحن مجموعة البطارية. لم يتم الضغط على ذراع القفل والزناد بشكل متزامن. | <ul style="list-style-type: none"> قم بتركيب مجموعة البطارية في الجِزَازة العاملة بالخيوط. اخلع البطارية، وافحص التوصيلات، ثم أعد تركيب مجموعة البطارية. اشحن مجموعة البطارية. اضغط لأسفل مع التثبيت على ذراع القفل، ثم اضغط مع التثبيت على الزناد لتشغيل الجِزَازة العاملة بالخيوط. |
| الجِزَازة العاملة بالخيوط تتوقف أثناء الجِز. | <ul style="list-style-type: none"> الواقى غير مركب على الجِزَازة، وهو ما يؤدي إلى خيوط قطع طويل للغاية ووجود حمل زائد على المحرك. تم استخدام خيوط قطع ثقيل. هناك عشب ملتف حول عمود المحرك أو رأس الجِزَازة. هناك حمل زائد على المحرك. مجموعة البطارية أو الجِزَازة العاملة بالخيوط ساخنة للغاية. مجموعة البطارية مفصولة من الآلة. نقد شحن مجموعة البطارية. | <ul style="list-style-type: none"> اخلع مجموعة البطارية وركب الواقى على الجِزَازة. استخدم خيوط الجِزَ القياسي من النايلون بحيث لا يزيد قطره عن 2.0 مم. أوقف الجِزَازة، واخلع البطارية، وتخلص من العشب الملتف على عمود المحرك ورأس الجِزَازة. ارفع رأس الجِزَازة عن الحشائش. سيعاود المحرك العمل بمجرد التخلص من الحمل الواقع عليه. أثناء الجِز، حرك رأس الجِزَازة داخل الحشائش المراد جزها وخارجها، ولا تقم بإزالة طول يزيد عن 20 سم في كل مرة جِز. اترك مجموعة البطارية أو الجِزَازة تبرد إلى أن تهبط درجة الحرارة إلى ما دون 67 درجة مئوية. أعد تركيب مجموعة البطارية. اشحن مجموعة البطارية. |
| لا يقوم رأس الجِزَازة بدفع الخيوط للأمام. | <ul style="list-style-type: none"> هناك عشب ملتف حول عمود المحرك أو رأس الجِزَازة. لا يوجد خيوط كافٍ على ملف الخيوط. رأس الجِزَازة متسخ. الخيوط متشابك على ملف الخيوط. الخيوط قصيرة للغاية. | <ul style="list-style-type: none"> أوقف الجِزَازة، واخلع البطارية، وتخلص من العشب الملتف على عمود المحرك ورأس الجِزَازة. اخلع البطارية واستبدل خيوط الجِزَ، واتبع التعليمات الواردة في قسم "استبدال الخيوط" من هذا الدليل. اخلع البطارية، ونظف ملف الخيوط ومحتجز ملف الخيوط وقاعدة ملف الخيوط. اخلع البطارية، واخلع الخيوط من ملف الخيوط وأعد لفته؛ واتبع التعليمات الواردة في قسم "استبدال الخيوط" من هذا الدليل. اخلع البطارية واسحب الخيوط بينما تقوم بشكل متناوب بالضغط على بكرة المصد لأسفل ثم تحريرها. |

حماية البيئة

لا تتخلص من المعدات الكهربائية أو البطارية المستهلكة أو الشاحن في النفايات المنزلية! بل توجه بهذا المنتج إلى مركز إعادة تدوير معتمد ليكون متاحًا للفرز بشكل منفرد. تجب إعادة الآلات الكهربائية إلى مرفق إعادة تدوير صديق للبيئة.



خزن الوحدة في منطقة جافة جيدة التهوية، بحيث يكون في مكان مقفل أو عالي عن سطح الأرض بعيدًا عن متناول أيدي الأطفال. لا تقم بتخزين الوحدة على الأسمدة أو البنزين أو المواد الكيميائية الأخرى، أو بجوارها.

حافظ على خلو فتحات الهواء الموجودة في هيكل المحرك من العوالق في جميع الأوقات.

تحذير: لا تستخدم أبداً الماء عند تنظيف الجزارة. تجنب استخدام المنظفات عند تنظيف الأجزاء البلاستيكية. غالبية الأجزاء البلاستيكية تكون عرضة للتلف بفعل أنواع متعددة من المنظفات السائلة المتاحة في الأسواق. استخدم قطعة قماش نظيفة لإزالة الأوساخ والأتربة والزيوت والشحوم وما شابههم.

تعديل طول خيط الجزر

رأس المصد يتيح للمشفل تحرير المزيد من خيط الجزر دون إيقاف المحرك. بعد أن يصبح الخيط منسلاً أو متهاكاً، يمكن تحرير خيط إضافي عن طريق نفرة خفيفة بكرة المصد على الأرض أثناء تشغيل الجزارة (الشكل N).

ملاحظة: سيصبح تحرير الخيط أكثر صعوبة عندما يصبح خيط الجزر أقصر.

تحذير: لا تقم بخلع أو تعديل تجميعه سفرة الجزر بالخيط الطول الزائد في الخيط قد يتسبب في سخونة المفرطة للمحرك، ما قد يؤدي إلى التعرض لإصابات شخصية خطيرة.

استبدال الخيط

ملاحظة: احرص دائماً على استخدام خيط النايلون الموصى به والآن يتخطى قطره 2.0 مم. لأن استخدام خيط آخر غير الموصى به قد يتسبب في سخونة المفرطة للجزارة العاملة بالخيط أو تعرضها للتلف.

تحذير: لا تقم أبداً باستخدام خيط معزز معدنيًا، أو سلك معدني، أو حبل، أو ما شابه ذلك. لأن تلك الأشياء قد تنقطع وتتسبب في تطاير أشياء خطيرة.

هناك طريقتان لاستبدال خيط الجزر:

1. لف خيطاً جديداً على ملف الخيط.
2. قم بتثبيت ملف خيوط جاهز مسبقاً (AS1302)، عند الزرور، والذي ستجده متاحاً لدى التاجر).

لف خيطاً جديداً على ملف الخيط

اضغط على لساني التحرير الموجودين بقاعدة ملف الخيوط، واسحب محتجز ملف الخيوط للخارج (الشكل O). أخرج حوالي 5 أمتار يقطر 2.0 مم من خيط الجزر. اطوه ولفه على ملف الخيوط وفقاً للموضع في الشكلين P و Q. وبعد ذلك، ضع أطراف الخيط عبر الحزوز المقابلة الموجودة في ملف الخيوط (الشكل R)، وضع ملف الخيوط في محتجز ملف الخيوط بحيث تكون الحزوز متحاذية مع ثقب محتجز ملف الخيوط (الشكل T). وفي النهاية، قم بمحاذاة فتحات محتجز ملف الخيوط مع الألسنة الموجودة بقاعدة ملف الخيوط، واضغط على محتجز ملف الخيوط لأسفل بشكل متساوٍ، مع التأكد من انشباكه في موضعه (الشكل S).

ملاحظة: احرص دائماً على تنظيف محتجز ملف الخيوط وملف الخيوط وقاعدة ملف الخيوط قبل إعادة تجميع رأس الجزارة. افحص محتجز ملف الخيوط وملف الخيوط وقاعدة ملف الخيوط بحثاً عن أي علامات للتآكل. وإذا لزم الأمر، استبدل الأجزاء المتآكلة.

ملاحظة: عدم لف الخيط في الاتجاه المشار إليه قد يؤدي إلى تشغيل رأس الجزارة بشكل غير صحيح.

تركيب ملف خيوط جاهز مسبقاً

اضغط على لساني التحرير الموجودين بقاعدة ملف الخيوط، واسحب محتجز ملف الخيوط للخارج (الشكل O). وبعد ذلك، ضع ملف الخيوط الجاهز مسبقاً في محتجز ملف الخيوط بحيث تتحاذى الحزوز مع ثقب محتجز ملف الخيوط (الشكل T). وفي النهاية، قم بمحاذاة فتحات محتجز ملف الخيوط مع الألسنة الموجودة بقاعدة ملف الخيوط، واضغط على محتجز ملف الخيوط لأسفل بشكل متساوٍ، مع التأكد من انشباكه في موضعه (الشكل S).

الشكل S و T انظر أنماه للتعرف على شرح الأجزاء:

| | | | |
|-----|------|-----|------|
| S-1 | لسان | T-1 | حزوز |
| S-2 | فتحة | T-2 | ثقب |

ملاحظة: تأكد من انشباك الألسنة الموجودة بقاعدة ملف الخيوط في مكانها، وإلا قد يخرج ملف الخيوط من مكانه أثناء التشغيل.

الصيانة

تحذير: استخدم فقط قطع غيار أصلية عند إجراء أعمال الصيانة. قم بفحص وصيانة الآلة بانتظام. لضمان السلامة والاعتمادية، يجب تنفيذ جميع أعمال الإصلاح من قبل فني خدمة مؤهل.

تحذير: لا تحتاج الآلات العاملة بالبطارية إلى توصيلها بمصدر تيار كهربائي؛ ولذا فهي دائماً ما تكون جاهزة للتشغيل. لمنع وقوع إصابات شخصية خطيرة، تعامل بحذر شديد عند تنفيذ أعمال الصيانة، أو الخدمة، أو تغيير ملحق الجزر أو الملحقات الأخرى.

تحذير: لمنع التعرض لإصابات شخصية خطيرة، اخلع مجموعة البطارية من الآلة قبل إجراء أعمال الصيانة، أو التنظيف، أو تغيير الملحقات الإضافية، أو إزالة المواد من الوحدة.

تنظيف الوحدة

- نظف الوحدة باستخدام قطعة قماش مبللة مع منظف خفيف.
- لا تستخدم أي منظفات قوية على الهيكل البلاستيكي أو المقبض لأنهم معرضون للتلف بزيت عطرية معينة، مثل الصنوبر والليمون، وبفعل محاليل مثل الكيروسين. كما قد تتسبب الرطوبة في التعرض لصدمة كهربائية. امسح أي بلل بقطعة قماش جافة ناعمة.
- استخدم فرشاة صغيرة أو التفريغ الهوائي من فرشاة مكبسة كهربائية صغيرة في تنظيف فتحات الهواء الموجودة بالهيكل الخلفي.

تخزين الوحدة

- اخلع مجموعة البطارية من الجزارة العاملة بالخيط عند عدم استخدامها.
- نظف الآلة جيداً قبل تخزينها.

لإيقاف

حرر ذراع القفل والزناد.

ملاحظة: المحرك به وضعي سرعة للجز، الوضع "1" للسرعة المنخفضة، والوضع "2" للسرعة العالية، على النحو الموضح في الشكل M. ما عليك سوى دفع مفتاح ضبط السرعة إلى الوضع الملائم أثناء الجز.

الشكل M انظر أدناه للتعرف على شرح الأجزاء:

| | |
|-----|---------|
| M-1 | الوضع 1 |
| M-2 | الوضع 2 |

تحذير: احرص دائمًا على خلع مجموعة البطارية من الجِزارة العاملة بالخيوط أثناء الاستراحة وبعد الانتهاء من العمل.

استخدام الجِزارة العاملة بالخيوط

تحذير: لتجنب التعرض لإصابات خطيرة، ارتد واقبات العينين أو نظارات حماية العينين في جميع الأوقات أثناء تشغيل هذه الوحدة. ارتد قناع للوجه أو قناع أترية في الأماكن كثيرة الأترية.

نظف منطقة الجِز قبل كل استخدام لآلة. تخلص من جميع الأشياء مثل الصخور أو الزجاج المكسور أو المسامير أو الأسلاك أو الخيوط التي قد تدخل في ملحق الجِز أو تعيقه. ابق المنطقة خالية من الأطفال والمرافقين والحيوانات الأليفة. على الأقل، اجعل الأطفال والمرافقين والحيوانات الأليفة على مسافة لا تقل عن 15 مترًا؛ فقد يكون هناك خطر تعرض المرافقين للأشياء المتطايرة. يجب تشجيع المرافقين على ارتداء أدوات حماية العينين. عند اقتراب أي شخص، أوقف المحرك وملحق الجِز على الفور.

قبل كل استخدام، افحص الأجزاء التالفة/المتآكلة

افحص رأس المصد والواقي ومقبض المساعدة الأمامي، واستبدل الأجزاء المشققة أو الملتوية أو المتآكلة أو التالفة بأي شكل من الأشكال.

قد تصبح شفرة قطع الخيوط الموجودة على حافة الواقي غير حادة مع مرور الوقت. من الموصى به أن تقوم بشحذها من أني الآخر باستخدام مبرد أو استبدالها بشفرة جديدة.

تحذير: احرص دائمًا على ارتداء قفازات عند تركيب الواقي، أو عند شحذ الشفرة أو استبدالها. كن حذرًا من الشفرة الموجودة عند الواقي، واحم يدك من التعرض للجرح.

نظف الجِزارة بعد كل استخدام.

تنبيه: العوائق الموجودة في الفتحات قد تمنع الهواء من التدفق في هيكل المحرك، وهو ما قد يؤدي إلى السخونة المفرطة أو تلف المحرك.

استخدم فقط صابونًا خفيفًا وقطعة قماش مبللة عند تنظيف الآلة. لا تسمح أبدًا بدخول أي سوائل إلى داخل الآلة؛ ولا تغمر أي جزء منها في السوائل بأي حال من الأحوال.

تحذير: لا تستخدم أي مرفقات أو ملحقات سوى تلك الموصى بها من قبل الشركة الصانعة لهذا المنتج. لأن استخدام مرفقات أو ملحقات غير موصى بها قد يؤدي إلى وقوع إصابات شخصية خطيرة.

تحذير: استخدم الجِزارة العاملة بالخيوط المجهزة بخيوط الجز المناسب فقط في جز العشب والمواد المشابهة.

يمكنك استخدام هذا المنتج للأغراض الموضحة أدناه:

جز السياج: تستخدم في إزالة العشب والحشائش الضارة الموجودة عند الجدران والأسوار والأشجار والحدود.

الجز: تستخدم في جزّ العشب الذي يصعب الوصول إليه باستخدام جِزارة عادية.

ملاحظة: يجب استخدام الآلة للغرض المحدد لها فقط. أي استخدام آخر، على سبيل المثال جزّ الحواف، يعد حالة من حالات سوء الاستخدام.

تركيب/خلع مجموعة البطارية

اشحن البطارية بالكامل قبل الاستخدام لأول مرة.

لا تستخدم الآلة إلا مع مجموعات البطارية والشواحن المدرجة في الشكل A2.

للتركيب

قم بمحاذاة دعائم البطارية مع فتحات التركيب، واضغط على مجموعة البطارية لأسفل إلى أن تسمع صوت "نقرة" (الشكل J).

للخلع

اضغط لأسفل على زر تحرير البطارية، واسحب مجموعة البطارية للخارج كما هو موضح في الشكل K.

إمسك الجِزارة العاملة بالخيوط

تحذير: احرص على ارتداء ملابس ملائمة للحد من خطر التعرض لإصابات أثناء تشغيل هذه الآلة. لا ترتد ملابس أو مجوهرات غير ثابتة. ارتد أدوات حماية العينين والأذنين/السمع. احرص على ارتداء بنطال طويل متين وحذاء ذي رقبة وقفازات. لا ترتد بنطالين قصيرة أو صنادل أو أن تكون حافي القدمين.

قبل التشغيل، أمسك الجِزارة بـكلتا يديك، بحيث تكون إحدى يديك على المقبض الخلفي والأخرى على مقبض المساعدة الأمامي بحيث يكون ذراعها ممتدًا على استقامته (الشكل L). وبعد ذلك، تحقق من وقوفك مترنًا ووجود مسافة ملائمة للجِز دون الحاجة للانحناء.

بدء تشغيل/إيقاف الجِزارة العاملة بالخيوط

لبداء التشغيل

اضغط لأسفل على ذراع القفل مع تثبيته في موضعه. اضغط على الزناد مع التثبيت لتشغيل الجِزارة العاملة بالخيوط على النحو الموضح في الشكل M.

المواصفات

10. الواقي
11. آلية الإخراج
12. الوصلات الكهربائية
13. لسان
14. زر تحرير البطارية

التجميع

فك طي عمود الإدارة

⚠ تحذير: لا تمسك عمود الإدارة من المفصلات كي تتجنب انخسار يديك أو أصابعك.

⚠ تحذير: لا تحاول بدء تشغيل الجارزة إلا بعد التأكد من قفل عمود الإدارة في موضعه بإحكام. فك طي عمود الإدارة برفق، مع الانتباه للكابل الموجود بداخله، ثم تثبيت عمود الإدارة بمسمارين باستخدام مفتاح الربط المرفق (الشكل B1 و B2).

تركيب الواقي

قم بمحاذاة فتحات تركيب الواقي مع فتحات التجميع، ثم ثبت الواقي على قاعدة العمود بالمسمارين. احرص على تثبيت الواقي وفقاً للشكلين C، لأن أي تثبيت يخالف ذلك قد يتسبب في مخاطر كبيرة!

تركيب مقبض المساعدة الأمامي وضبطه

ادفع مقبض المساعدة الأمامي على العمود (الشكل E)، ثم أدخل كتلة المشبك في فتحة المقبض (الشكل F)، وركب عمود القفل، وثبتهم باستخدام الصامولة المجنحة (الشكل G). تسلسل الخطوات موضح في الشكل D. وفي النهاية، اضبط موضع مقبض المساعدة الأمامي للتأكد من أن ذراعك الذي ستستخدمه مع المقبض ممتد على استقامته عند استخدام الجارزة (الشكل H)، ثم أقل ذراع قضيب القفل (الشكل I).

الشكل D و H انظر أذناه للتعرف على شرح الأجزاء:

| | | | |
|-----|-----------------------|-----|--------------|
| D-1 | مقبض المساعدة الأمامي | D-4 | صامولة مجنحة |
| D-2 | قضيب القفل | H-1 | جلبة ناعمة |
| D-3 | كتلة المشبك | H-2 | ملصق تحذيري |

ملاحظة: تجب إدارة مقبض المساعدة الأمامي لأعلى إلى أن يصبح متجهًا ناحية الجزء العلوي للمقبض.

⚠ تحذير: يمكنك فقط تثبيت مقبض المساعدة الأمامي أمام الجلبة الناعمة الموجودة بالعمود.

⚠ تحذير: لا يمكن استخدام الآلة دون إحكام تثبيت مقبض المساعدة الأمامي.

التشغيل

⚠ تحذير: لا تسمح لاعتيادك على تشغيل هذا المنتج أن يجعلك مستهترًا عند التعامل معه، ولا تنس أن الاستهتر لجزء من الثانية كافٍ للتسبب في حدوث إصابات خطيرة.

⚠ تحذير: ارتد بشكل دائم أدوات حماية العينين بالإضافة إلى دروع جانبية وأدوات حماية السمع. قد ينجم عن عدم الامتثال لذلك دخول أشياء في عينيك، واحتمالية وقوع إصابات خطيرة.

| | |
|---|--|
| الجهد الكهربائي | 56 فولت |
| السرعة بدون حمل | عالية: 6500/دقيقة منخفضة: 5200/دقيقة |
| آلية الجرّ | رأس المصد |
| نوع خيط الجرّ | خيط مجدول من النايلون 2.0 مم |
| عرض الجرّ | 33 مم |
| درجة حرارة التشغيل الموصى بها | 0 - 40 درجة مئوية |
| درجة حرارة التخزين الموصى بها | 20- 70 درجة مئوية |
| الوزن (بدون وحدة البطارية) | 2.76 كجم |
| مستوى قوة الصوت المُقَدَّر L_{WA} | 92.1 ديسيبل (A) 1.6=K ديسيبل (A) |
| الحد الأقصى لمستوى ضغط الصوت عند أنشء مُشغَل الآلة L_{PA} | 72.6 ديسيبل (A) 2.5=K ديسيبل (A) |
| مستوى قوة الصوت المضمون L_{WA} (وفقًا للمعيار EC/2000/14) | 94 ديسيبل (A) |
| تميّقّل تردّد جلا تردّد الجلا a_n زارتها لال | المقبض الأمامي 3.3 م/ثانية ² 0.9=K م/ثانية ² |
| | المقبض الخلفي 1.9 م/ثانية ² 1.5=K م/ثانية ² |

- القيمة الكلية للاهتزاز الموضحة تم قياسها وفقاً لطريقة اختبار قياسية وقد تستخدم لمقارنة أداة بأخرى؛
- كما يمكن استخدام القيمة الكلية للاهتزاز الموضحة في التقييم التمهيدي للتعرض.

ملاحظة: قد تختلف انبعاثات الاهتزاز أثناء الاستخدام الفعلي للآلة العاملة بالطاقة عن القيمة المعلنة التي يتم استخدام الآلة فيها؛ ولحماية مشغل الآلة، ينبغي على المستخدم ارتداء قفازات وواقبات للأذن في ظروف الاستخدام الفعلية.

قائمة المحتويات (الشكل A1)

الوصف

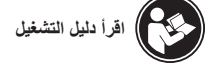
تعرف على الجارزة العاملة بالخيط (الشكل A1)

1. الزناد
2. المقبض الخلفي
3. ذراع القفل
4. مفتاح ضبط السرعة
5. جلبة ناعمة
6. مقبض المساعدة الأمامي القابل للضبط
7. رأس الجارزة (رأس المصد)
8. بكره المصد
9. شفرة قطع الخيط

رموز السلامة

اقرأ جميع التعليمات!

تحذير: قد يؤدي تشغيل أي آلة عاملة بالطاقة إلى دخول أي أشياء غريبة في عينيك، وهو ما قد يؤدي إلى إلحاق أضرار خطيرة بالعين. قبل بدء تشغيل الآلة العاملة بالطاقة، احرص دائماً على ارتداء واقيات العينين أو نظارات حماية العينين ذات دروع جانبية، ودرع واقي لكامل الوجه عند اللزوم. نوصي بارتداء قناع السلامة واسع الرؤية لاستخدامه فوق نظارات العين أو نظارات السلامة العادية ذات الدروع الجانبية.



تحذير: خطر زائد! الأشخاص الذين تم تركيب أجهزة طبية إلكترونية لهم، مثل منظم ضربات القلب، يجب عليهم استشارة الطبيب قبل استخدام هذا المنتج. لأن تشغيل معدات كهربائية بالقرب من منظم ضربات القلب قد ينشأ عنه خلل أو فشل في أداء منظم ضربات القلب.

| | | | |
|--|-------|--|---------|
| للحد من خطر التعرض لإصابة، ينبغي على المستخدم قراءة دليل التشغيل. | | تنبيه سلامة | |
| ارتد حذاء الحماية احرص على ارتداء أحذية أمن ماعية للارتداء عند استخدام هذه الآلة. | | ارتد أدوات حماية العينين-ارتد دائماً نظارات الحماية المزودة بواقيات على الجانبين، وينبغي ارتداء واقي لكامل الوجه أثناء تشغيل هذا المنتج. | |
| ارتد قفازات الحماية احرص على ارتداء قفازات لليد عند التعامل مع الشفرة أو الواقي الخاص بها. | | ارتد أدوات حماية الأذنين-احرص دائماً على ارتداء أدوات حماية الأذنين عند تشغيل هذا المنتج. | |
| احذر من قوة انفجاع الشفرة تحذّر مشغل الآلة من خطر قوة انفجاع الشفرة. | | ارتد أدوات حماية الرأس-احرص على ارتداء خوذة أمن صلبة معتمدة لحماية رأسك. | |
| قطر الخيط-قطر خيط الجرّ المصنوع من النايلون | | لا تقم بتركيب شفرات جرّ مستديرة. | |
| فالأشياء المتطايرة من الآلة قد ترتد وتؤدي إلى إصابات شخصية أو تلف للممتلكات. احرص على بقاء الأشخاص الآخرين والحيوانات الأليفة بعيداً عن قاطع الأعصان أثناء استخدامه. | | عرض الجرّ-الحد الأقصى لعرض جرّ الجرّارة العاملة بالخيط | |
| لا تستخدم المنتج تحت المطر أو أن تتركه في مكان مفتوح أثناء هطول المطر. | | احرص على بقاء الأشخاص الآخرين والحيوانات الأليفة على مسافة لا تقل عن 51 متراً بعيداً عن الجرّارة العاملة بالخيط أثناء استخدامها. | |
| هذا المنتج متوافق مع تشريعات المملكة المتحدة المعمول بها. | | هذا المنتج متوافق مع توجيهاً شهادة الجودة الأوروبية (CE) المعمول بها. | |
| مستوى قوة الصوت المضمون. انبعاثات الضوضاء في البيئة وفقاً لتوجيه الاتحاد الأوروبي. | | لا يجب التخلص من الأجهزة الكهربائية المستهلكة في النفايات المنزلية. توجه بالجهاز إلى مركز إعادة تدوير معتمد. | |
| السرعة بدون حمل-سرعة الدوران، بدون حمل | n_0 | الجهد الكهربائي | V |
| تيار مستمر | | في الدقيقة | .../min |
| | | كيلوجرام | kg |

| בעיה | סיבה | פתרון |
|--------------------------------------|--|--|
| ראש הגוזם איננו מקדם את החוט. | <ul style="list-style-type: none"> מוט המנוע או ראש הגוזם מלאים בדשא. אין מספיק חוט על גבי הסליל. ראש הגוזם מלוכלך. החוט הסתבר בסליל. חוט החיתוך קצר מדי. | <ul style="list-style-type: none"> הפסיקו את פעולת הגוזם, הסירו את הסוללה והסירו את הדשא מתא המנוע ומראש הגוזם. הסירו את הסוללה, החליפו את חוט החיתוך; עקבו אחר ההוראות בחלק "החלפת קו החיתוך" הנמצא במדריך זה. הסירו את הסוללה ונקו את הסליל, את מאחז הסליל ואת בסיס הסליל. הסירו את הסוללה, הסירו את חוט החיתוך מן הסליל ולפפו מחדש; עקבו אחר ההוראות בחלק "החלפת קו החיתוך" הנמצא במדריך זה. הסירו את הסוללה ומשכו את החוטים כאשר באופן חלופי אתם לוחצים כלפי מטה ומשחררים את ידית הבליטה. |
| הדשא מלופף סביב ראש הגוזם ותא המנוע. | <ul style="list-style-type: none"> גוזם של דשא גבוה ברמת הקרקע. | <ul style="list-style-type: none"> חתכו דשא גבוה מן החלק העליון כלפי מטה, כאשר אינכם מסירים יותר ה-20 ס"מ בכל מעבר על מנת למנוע ליפוף. |
| החוט איננו חותך היטב. | <ul style="list-style-type: none"> להב חוט החיתוך בקצה המגן הופך להיות קהה. | <ul style="list-style-type: none"> השחזו את להב חוט החיתוך בעזרת פצירה או החליפו בלהב חדש. |

אחריות

מדיניות האחריות של EGO

אנא בקרו באתר egopowerplus.com עבור התנאים וההתניות השלמים של מדיניות האחריות של EGO.

איתור וטיפול בבעיות

| בעיה | סיבה | פתרון |
|---------------------------------------|--|---|
| לא ניתן להפעיל את הגוזם. | <ul style="list-style-type: none"> מארז הסוללה איננו צמוד לחוט הגוזם. לא מתבצע חיבור חשמלי בין הגוזם לסוללה. קיבולת מארז הסוללה ריקה. דוושת הנעילה וההדק אינם משוחררים בו זמנית. | <ul style="list-style-type: none"> הצמידו את מארז הסוללה אל גוזם הדשא. הסירו את הסוללה, בדקו את החיבורים והתקינו מחדש את מארז הסוללה. הטעינו את מארז הסוללה. לחצו על דוושת הנעילה כלפי מטה והחזיקו אותה, לאחר מכן שחררו את ההדק על מנת להפעיל את גוזם הדשא. |
| חוט הגוזם מפסיק את פעולתו בעת החיתוך. | <ul style="list-style-type: none"> המגן איננו מורכב על גבי הגוזם, כאשר התוצאה היא חוט חיתוך ארוך מדי ועומס יתר של המנוע. נעשה שימוש בחוט חיתוך כבד מדי. מוט המנוע או ראש הגוזם מלאים בדשא. ישנו עומס יתר של המנוע. מארז הסוללה או גוזם הדשא חמים מדי. מארז הסוללה מנותק מן המכשיר. קיבולת מארז הסוללה ריקה. | <ul style="list-style-type: none"> הסירו את מארז הסוללה והרכיבו את המגן על גבי גוזם הדשא. השתמשו בחוט החיתוך המתאים מניילון עם היקף קו אשר לא יעלה על 2.0 מ"מ. הפסיקו את פעולת הגוזם, הסירו את הסוללה והסירו את הדשא מתא המנוע ומראש הגוזם. הסירו את ראש הגוזם מן הדשא. המנוע יחזור לפעילות רגילה ברגע בו העומס יוסר. בעת החיתוך, הזיזו את ראש הגוזם אל הדשא וממנו על מנת לחתוך והסירו לא יותר מ-20 ס"מ אורך בחיתוך יחיד. אפשרו למארז הסוללה או לגוזם להתקרר עד לטמפרטורה של פחות מ-67°C. התקינו מחדש את מארז הסוללה. הטעינו את מארז הסוללה. |

לשמור על הסביבה

אל תזרקו ציוד חשמלי, מטעני סוללות וסוללות ביחד עם אשפה ביתית! קחו מוצרים אלו למרכז מחזור מוסמך ו-וודאו שהם זמינים לאיסוף בנפרד. יש להחזיר כלים חשמליים דמה ולהפוך לחלק משרשרת המזון, דבר העלול לגרום לנזק לבריאות והרווחה שלכם.



⚠ אזהרה: על מנת למנוע פציעות אישיות חמורות, הסירו את מארז הסוללה מן הכלי לפני ביצוע כל עבודות שירות, ניקיון, החלפת צרופות או תוספות, או הסרה של חומרים מן היחידה.

ניקיון היחידה

- נקו את היחידה בעזרת מטלית לחה עם סבון עדין.
- אל תעשו שימוש בחומרי ניקוי חזקים על תא הפלסטיק או על גבי הידית. עלול להיגרם להם נזק על ידי שמנים ארומטיים למיניהם, כגון אורן או לימון, או על ידי ממסים כגון קרוסין. לחות עלולה גם לגרום לסכנת שוק חשמלי. נקו כל לחות על ידי מטלית רכה יבשה.
- עשו שימוש במברשת קטנה או במברשת עם זרם האוויר של שואב אבק קטן על מנת לנקות את פתחי האוויר על התא האחורי.

אחסון היחידה

- הסירו את מארז הסוללה מן הגוזם כאשר לא נעשה בו שימוש.
- נקו את היחידה ביסודיות לפני אחסונה.
- אחסנו את היחידה במקום יבש, מאוורר היטב, נעולה או המקום גבוה, הרחק מהישג ידם של ילדים. אל תאחסנו את היחידה קרוב לחומרי דשן, חומרי דלק או כימיקלים אחרים.

לפפו את החוט החדש מסביב לסליל

לחצו על שתי לשוניות השחרור על גבי בסיס הסליל ומשוך את מאחז הסליל החוצה (תמונה O). קחו בערך 5 מ' מחוט החיתוך בקוטרו 2.0 מ"מ. קפלו אותו וסובבו אותו על גבי הסליל כמתואר בתמונות Q ו-P. לאחר מכן מקמו את קצוות החוט דרך שני החריצים המנוגדים בתוך הסליל (תמונה R) ומקמו את הסליל בתוך המאחז שלו עם החריצים מיושרים עם עיניות המאחז (תמונה T). לבסוף, יישרו את חריצי המאחז עם הלשוניות הנמצאות על גבי בסיס הסליל באופן שווה כלפי מטה כאשר אתם מוודאים שהוא נכנס אל מקומו (תמונה S).

הודעה: נקו תמיד את מאחז הסליל, את הסליל ואת בסיס הסליל לפני הרכבת ראש הגוזם. בדקו את מאחז הסליל, את הסליל ואת בסיס הסליל על מנת לראות האם יישנם סימני בלאי. אם יש צורך, החליפו את החלקים להם יש בלאי.

הודעה: אם לא תלפפו את החוט בכיוון הנכון, תגרמו לראש הגוזם לפעול באופן לא מתאים.

התקינו סליל מלופף מראש

לחצו על שתי לשוניות השחרור על גבי בסיס הסליל ומשוך את מאחז הסליל החוצה (תמונה O). לאחר מכן מקמו את הסליל המלופף מראש אל המאחז עם החריצים מיושרים עם עיניות המאחז (תמונה T). לבסוף, יישרו את חריצי המאחז עם הלשוניות הנמצאות על גבי בסיס הסליל באופן שווה כלפי מטה כאשר אתם מוודאים שהוא נכנס אל מקומו (תמונה S).

ראו למטה תיאור חלקים בתמונות S ו-T:

| | | | |
|-----|--------|-----|-------|
| S-1 | לשונית | T-1 | חריץ |
| S-2 | חריץ | T-2 | עינית |

הודעה: וודאו שהלשוניות על גבי בסיס הסליל ננעלות אל המקום שלהן. במקרה שונה, הן תצאנה ממקומן בעת ההפעלה.

תחזוקה

⚠ אזהרה: במקרה של עבודות תיקון, השתמשו רק בחלקי חילוף זהים. בדקו ותחזקו את המכשיר באופן סדיר. על מנת להבטיח בטיחות ואמינות, יש לבצע את כל התיקונים וההחלפות בעזרת טכנאי שירות מוסמך.

⚠ אזהרה: כלי הסוללה לא צריכים להיות מחוברים אל החשמל; לכן, הם תמיד נמצאים במצב הפעלה. על מנת למנוע פגיעות אישיות חמורות, היו מאוד זהירים בעת ביצוע עבודות תחזוקה, עבודות שירות או בעת הטענת חיבור החיתוך או חיבורים אחרים.

⚠ אזהרה: לבשו תמיד כפפות בעת הרכבת המגן או ביצוע השחזת הלהב או החלפתו. היו זהירים עם הלהב שעל גבי המגן והגנו על הידיים שלכם מפני חיתוך.

לאחר כל שימוש, נקו את הגוזם.

⚠ אזהרה: מחסומים בפתחי האוורור ימנעו מן האוויר לזרום אל תוך המנוע והתוצאה תהיה חימום יתר או נזקים למנוע.

- השתמשו רק בסבון עדין ובמטלית לחה על מנת לנקות את המכשיר. לעולם אל תרשו לנוזלים להיכנס אל תוך הכלי; לעולם אל תטבילו כל חלק של המכשיר בתוך נוזלים.
- שימרו על פתחי האוורור בתא המנוע נקיים מפני חלקי אשפה.

⚠ אזהרה: לעולם אל תעשו שימוש במים על מנת לנקות את הגוזם שלכם. הימנעו משימוש בממסים כאשר אתם מנקים חלקי פלסטיק. רוב חלקי הפלסטיק עלולים להינזק מסוגים שונים של ממסים מסחריים. השתמשו במטליות נקיות על מנת להסיר לכלוך, אבק, שמן, חומר סיכה וכו'.

כוננו אורך חוט החיתוך

ראש הבליטה מאפשר למפעיל לשחרר יותר חוט חיתוך ללא עצירת המנוע. כאשר חוט החיתוך הופך להיות משופשף או מראה סימני בלאי, ניתן לשחרר חוט חיתוך נוסף על ידי לחיצה קלה על ידיית הבליטה בעת הפעלת הגוזם (תמונה N).

הודעה: שחרור החוט יהפוך להיות קשה יותר ככל שחוט החיתוך יהפוך להיות קצר יותר.

⚠ אזהרה: לעולם אל תסירו או תשנו את מערך להב חוט החיתוך. חוט חיתוך ארוך מדי יגרום לחימום יתר של המנוע והדבר עלול לגרום לפגיעה אישית חמורה.

החלפת קו החיתוך

הודעה: השתמשו תמיד בחוט החיתוך המתאים מניילון עם היקף קו אשר לא יעלה על 2.0 מ"מ. שימוש בחוט חיתוך אחר מאשר חוט החיתוך המצויין עלול לגרום לחימום יתר של קו הגוזם או לנזקים נוספים.

⚠ אזהרה: לעולם אין לעשות שימוש בחוט המחזק על ידי מתכת, כבל, חבל וכדומה. דברים אלו עלולים להתנתק מן הגוזם ולהוות סכנה.

יישן שתי שיטות להחלפת חוט החיתוך:

- לפפו את החוט החדש מסביב לסליל.
- התקינו סליל עם חוט מלופף מראש (AS1302, אם יש צורך, זמין אצל הספק).

הפעלה

⚠ אזהרה: אל תניחו לעובדה שאתם מכירים את המוצר להפוך אתכם לפחות זהירים. זכרו שחוסר זהירות של שבריר אחד של שנייה מספיק לגרום לפציעה אישית חמורה.

⚠ אזהרה: ענדו תמיד משקפי בטיחות עם הגנה צדדית, ביחד עם מגני שמיעה. אם לא תעשו זאת עצמים עלולים להיזרק אל תוך העיניים שלכם ועלולות להיגרם פציעות חמורות.

⚠ אזהרה: אל תעשו שימוש בחיבורים או אביזרים אשר לא הומלצו על ידי יצרן מוצר זה. השימוש בחיבורים או אביזרים אשר לא הומלצו על ידי היצרן עלול לגרום לפציעה חמורה.

⚠ אזהרה: השתמשו בגזם החוט שלכם כאשר הוא מצויד עם חוט החיתוך המתאים רק לחיתוך דשא או חומרים דומים.

אתם יכולים להשתמש במוצר רק עבור המטרות למטה:

גיזום: בשימוש להסרת דשא ועשבים כנגד קירות, גדרות, עצים ושוליים.

חיתוך: בשימוש לחיתוך דשא אשר קשה להגיע אליו עם מכסחות דשא רגילות.

הודעה: יש להשתמש במוצר רק עבור המטרות להן הוא יועד. כל שימוש אחר, לדוגמה גיזום קצוות, ייחשב לשימוש בלתי הולם.

הצמדה/הסרה של מארז הסוללה

הטעינו לפני השימוש הראשון.

השתמשו רק עם מארזי הסוללה והמטענים הרשומים באיור A2 על מנת להצמיד

ישרו את עורקי הסוללה עם חריצי ההרכבה ולחצו את מארז הסוללה כלפי מטה עד אשר ישמע „קליק” (תמונה J).

על מנת להסיר

לחצו על כפתור שחרור הסוללה ומשכו את מארז הסוללה החוצה כפי שניתן לראות בתמונה K.

החזקת גזם החוט

⚠ אזהרה: לבשו בגדים מתאימים על מנת להפחית את הסיכון לפציעות בעת השימוש בכלי זה. אל תלבשו בגדים רפויים או תכשיטים. השתמשו בהגנה לעיניים / אזניים. לבשו בגדים כבדים, מכנסיים ארוכים, מגפיים וכפפות. אל תלבשו מכנסיים קצרים, סנדלים או הפעילו כאשר אתם יחפים.

לפני ההפעלה, החזיקו את הגזם עם שתי הידיים, יד אחת על הידית האחורית והיד השנייה תהיה ישרה על ידי העזרה הקדמית (תמונה L). לאחר מכן בדקו שהיציבה שלכם מאוזנת ושמרחק החיתוך מתאים ללא שיהיה צורך שהמפעיל יתכופף.

הפעלה/כיבוי של גזם הדשא

על מנת להפעיל

לחצו על דוושת הנעילה כלפי מטה והחזיקו אותה במצב זה. שחררו את ההדק על מנת להפעיל את גזם הדשא כפי שניתן לראות בתמונה M.

על מנת לכבות

שחררו את דוושת הנעילה ואת ההדק.

הודעה: למנוע יישן שתי מהירויות חיתוך, מצב “1” למהירות נמוכה יותר ומצב “2” למהירות גבוהה יותר, כפי שניתן לראות בתמונה M. דחפו רק את מתג התאמת המהירות למצב המתאים בעת החיתוך.

ראו למטה תיאור חלקים בתמונה M:

| | |
|-----|-------|
| M-1 | מצב 1 |
| M-2 | מצב 2 |

⚠ אזהרה: הסירו תמיד את מארז הסוללה מגזם הדשא בעת הפסקות ולאחר סיום העבודה.

השימוש בגזם הדשא

⚠ אזהרה: על מנת למנוע פציעות אישיות חמורות, השתמשו במשקפיים או משקפי מגן בעל זמן בו אתם מפעילים את היחידה. לבשו מסכת פנים או מסכת אבק במקומות מאובקים.

נקו את האזור שיש לגזום לפני כל שימוש. הסירו עצמים כגון סלעים, שברי זכוכית, מסמרים, חוטים או כבלים העלולים להיזרק או להיתפס בחיבור החיתוך. וודאו שאין ילדים באזור, עוברי אורח ובעלי חיים. כמינימום, שימרו על כל הילדים, עוברי האורח ובעלי החיים במרחק של לפחות 15 מ' עדיין יכול להיות סיכון לעוברי אורח מעצמים נזרקים. יש לעודד עוברי אורח להשתמש בהגנה על העיניים. אם אתם רואים מישהו מתקרב, עצרו את המנוע ואת חיבור החיתוך מיד.

לפני כל שימוש, בדקו עבור חלקים עם בלאי/ניזוקים

בדקו את ראש הבליטה, את המגן ואת ידי העזרה הקדמית והחליפו את החלקים הסדוקים, המלופפים, המעוקלים או הניזוקים בכל צורה שהיא.

להב חוט החיתוך בקצה המגן הופך להיות קהה עם הזמן. מומלץ להשיזיז את להב חוט החיתוך בעזרת פצירה או החליפו בלהב חדש.

מפרטים

- 9. להב חוט החיתוך
- 10. מגן
- 11. מנגנון פליטה
- 12. חיבורים חשמליים
- 13. בריח
- 14. כפתור שחרור סוללה

| | | |
|---|----------------------------------|--|
| וולטז' | 56 V | |
| מהירות ללא עומס | גבוה: 6500/דקה נמוך: 5200/דקה | |
| מנגנון חיתוך | ראש בליטה | |
| סוג חוט חיתוך | חוט ניילון מפותל של 2.0 מ"מ | |
| רוחב חיתוך | 33 ס"מ | |
| טמפרטורת הפעלה מומלצת | 0°C-40°C | |
| טמפרטורת אחסון מומלצת | -20°C-70°C | |
| משקל (ללא מארז סוללה) | 2.76 ק"ג | |
| רמת עוצמת קול נמדדת | 92.1 dB(A) K=1.6 dB(A) | |
| רמת לחץ קול מקסימלית באוזן המפעיל | 72.6 dB(A) K=2.5 dB(A) | |
| רמת עוצמת קול מובטחת (נמדדת על פי 2000/14/EC) | 94 dB(A) | |
| הערכת רטט a_n | ידיית ימנית | 3.3 מ' /שנייה ² K = 0.9 מ' /שנייה ² |
| | ידיית אחורית | 1.9 מ' /שנייה ² K = 1.5 מ' /שנייה ² |

הרכבה

פתיחת הידית

⚠ אזהרה: אל תחזיק את הידית בחיבורים על מנת למנוע צביטה של הידיים או האצבעות.

⚠ אזהרה: אל תנסה להפעיל את הגזום עד לנעילת הידית. פתח את הידית בעדינות, וודא שהכבל בתוך הידית ונעל אותה באמצעות שני ברגים בעזרת מפתח הברגים המצורף (איור B1 ו-B2).

הרכבת המגן

יישרו את חורי ההרכבה של המגן עם חורי ההרכבה ולאחר מכן נעלו את המגן אל בסיס המוט בעזרת שני הברגים. וודאו שהמגן נעול במקומו בהתאם לתמונות C, כל נעילה הפוכה תגרום לסכנה גדולה!

הרכבה וכוונן של ידיית העזרה הקדמית

דחפו את ידיית העזרה הקדמית אל הפיר (תמונה E), לאחר מכן הכניסו את בלוק ההידוק אל חריץ הידית (תמונה F), הרכיבו את מוט הנעילה ונעלו אותם בעזרת אום הכנף (תמונה G). ניתן לראות רצף זה בתמונה D. לבסוף, כווננו את ידיית העזרה הקדמית בין השרוול הרך והתווית על מנת להבטיח שהיד הקדמית שלכם ישרה בעת השימוש בגוזם (תמונה H) ולאחר מכן נעלו את דוושת מוט הנעילה (תמונה I).

ראו למטה תיאור חלקים בתמונות H-I:

| | | | |
|-----|------------------|-----|--------------|
| D-1 | ידיית עזרה קדמית | D-4 | אום הידוק |
| D-2 | מוט נעילה | H-1 | שרוול רך |
| D-3 | מוט הידוק | H-2 | תווית אזהרה: |

הודעה: יש לסובב את ידיית העזרה הקדמית כלפי מעלה לכיוון החלק העליון של הידית.

⚠ אזהרה: קיבעו את ידיית העזרה הקדמית רק אל החלק הקדמי של השרוול הרך על המוט.

⚠ אזהרה: לא ניתן יהיה להשתמש בכלי ללא ידיית העזרה הקדמית קבועה במקומה בבטחה.

▪ ערך הרטט הכללי המוצהר נמדד בהתאם עם שיטת בדיקה סטנדרטית ונעתיק להשתמש בו על מנת להשוות על פי ציוד אחר;

▪ ניתן להשתמש בערך הרטט הכללי המוצהר בהערכה ראשונית של חשיפה.

הודעה: פליטת הרטט בעת השימוש המעשי בכלי יכולה להיות שונה מן הערך המוצהר כאשר הכלי נמצא בשימוש; על מנת להגן על המפעיל, על המשתמש ללבוש כפפות ומגני אוזניים בעת השימוש למעשה.

רשימת אריזה (תמונה A1)

תיאור

הכירו את גוזם החוט שלכם (תמונה A1)

1. הדק
2. ידיית אחורית
3. דוושת נעילה
4. מתג כוונן מהירות
5. שרוול רך
6. ידיית עזרה קדמית ניתנת לכוונן
7. ראש גוזם (ראש בליטה)
8. ידיית בליטה

קראו את כל ההוראות!



קראו את מדריך ההוראות

⚠ אזהרה: סיכון שיויר! אנשים בעלי מכשירים חשמליים כגון קוצבי לב, צריכים להתייעץ עם הרופא(ים) המטפל(ים) בהם לפני השימוש במכשיר זה. הפעלה של ציוד חשמלי בקרבת קוצבי לב עלולה להפריע לפעולת הקוצב או אפילו להפסיק את פעולתו.

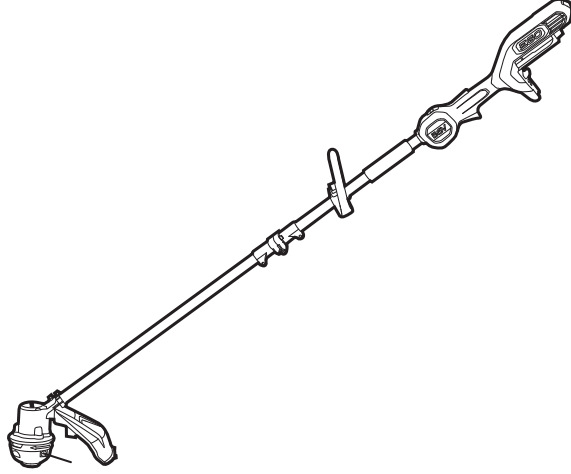
סימני בטיחות

⚠ אזהרה: הפעלה של כלי עבודה חשמליים עלולה לגרום לעצמים זרים להיזרק אל תוך העיניים, דבר העלול לגרום לנזק חמור לעיניים. לפני ההפעלה של כלי עבודה חשמלי, ענדו תמיד משקפי מגן או משקפי בטיחות עם הגנה צדדית, ובעת הצורך, הגנה עבור כל הפנים. אנו ממליצים על שימוש במסכת בטיחות רחבה מעל למשקפי המגן או על שימוש במשקפי בטיחות עם הגנה צדדית. התראת בטיחות

| | | | |
|--|----------------|--|---------|
| על מנת להפחית את הסיכון לפציעות, על המשתמש לקרוא את המדריך למשתמש. | | התראת בטיחות | |
| לבשו נעליים בטוחות-נעלו נעלים בטוחות שאינן מחליקות בעת השימוש בציוד. | | לבשו מגני עיניים-חבשו תמיד משקפי מגן או משקפי בטיחות עם הגנה צדדית, ובעת הצורך, הגנה עבור כל הפנים, בעת הפעלת מוצר זה. | |
| לבשו כפפות מגן-הגנו על ידיכם עם כפפות בעת הטיפול בלהב במגן הלהב. | | לבשו מגני אוזניים-השתמשו תמיד במגני אוזניים בעת הפעלת מוצר זה. | |
| היו זהירים מנעיצת הלהב-הזהירו את המפעיל מפני סכנה של נעיצת להב. | | לבשו מגני ראש-חבשו קסדת בטיחות מאושרת על מנת להגן על ראשכם. | |
| קוטר-קוטר חוט החיתוך מניילון | | ין להתקין להבי חיתוך עגולים. | |
| עצמים עלולים להיזרק ולגרום לפציעה אישית או לנזק לרכוש וודאו שאנשים אחרים וחיות מחמד נמצאים רחוק ממסכחת הדשא בעת השימוש בה. | | רחב-רחוב החיתוך המקסימלי של חוט הגוזם | |
| אין להשתמש במזג אוויר גשום או להשאיר בחוץ בגשם. | | וודאו שאנשים אחרים וחיות מחמד נמצאים במרחק של לפחות 15 מ' מגוזם החוט בעת השימוש בו. | |
| מוצר זה הוא בהתאם לחוקים הרלוונטיים בבריטניה. | | מוצר זה תואם לתקנת ה-CE הרלוונטיות. | |
| רמת עוצמת קול מובטחת. פליטת רעש אל הסביבה בהתאם לתקנת האיחוד האירופי. | | אין לזרוק מוצרים חשמליים כחלק ממשפחה ביתית. הביאו את המכשיר למרכז מיחזור מוסמך. | |
| מהירות ללא עומס-מהירות סיבובית, ללא עומס | n ₀ | מתח | V |
| זרם ישיר | | לדקה | .../min |
| | | קילוגרם | kg |

EGO™

POWER⁺ LINE TRIMMER



ST1300E-S

גוזם דשא אלחוטי ליתיום-יון 56 וולט

HE

جرازة عاملة بالخيط لاسلكية ببطارية ليثيوم-أيون 56 فولت

AR

